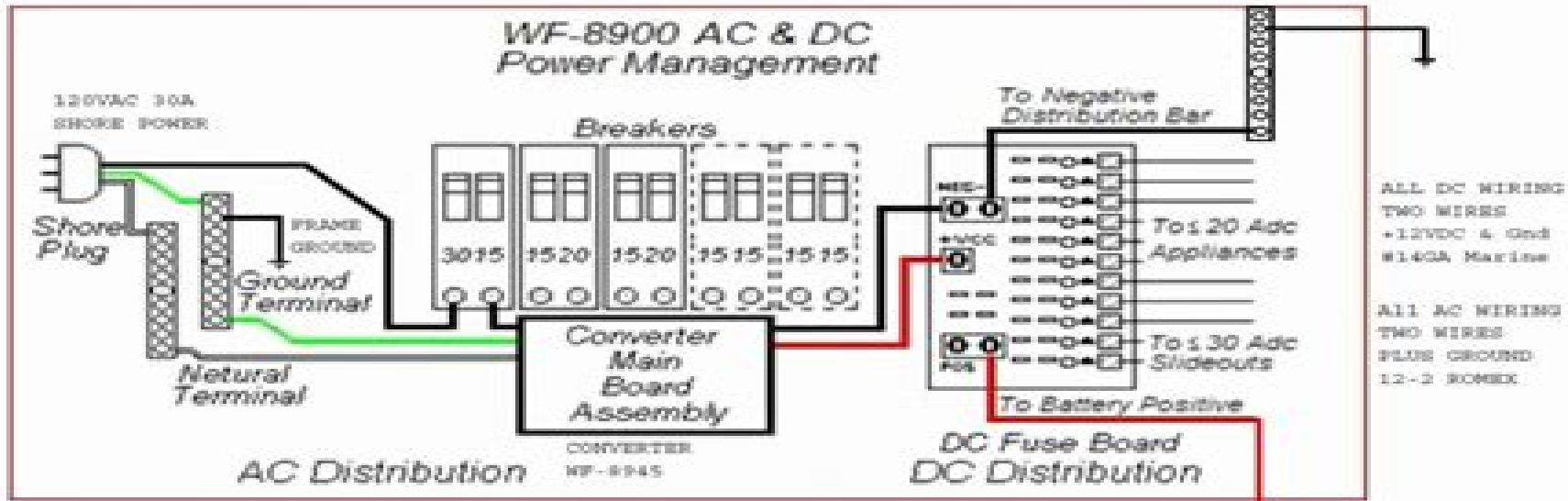


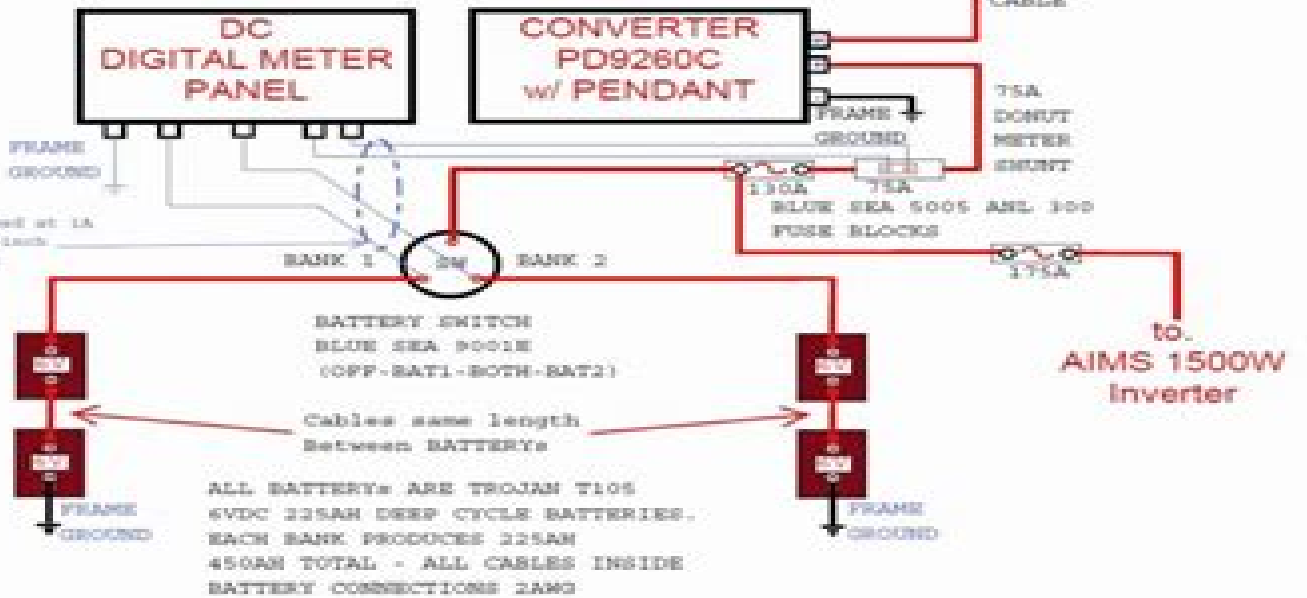
**USING TROJAN
T105 6V
BATTERIES**



ALL BATTERY CABLES ANCOR MARINE #2 GAUGE Cables all same length Between BATTERY SWITCHES

All GROUNDS shown are TRAILER FRAME GROUNDS

These cables are fused at 1A and enclosed in 1/4-inch plastic flex conduit



Trojan T-105 Battery
 Weight 62 lbs
 Dimensions inches
 L-10 3/8 W-7 1/8 H-10 7/8
 TOTAL Wt for FOUR 248Lbs

Wfco Converter Wiring Diagram

Harry Cooke Cushing



Wfco Converter Wiring Diagram:

Power Wiring Diagrams A. T. Dover,1917 **Switch-Mode Power Converters** Keng C. Wu,2005-12-01 Switch Mode Power Converters introduces an innovative highly analytical approach to symbolic closed form solutions for switched mode power converter circuits This is a highly relevant topic to power electronics students and professionals who are involved in the design and analysis of electrical power converters The author uses extensive equations to explain how solid state switches convert electrical voltages from one level to another so that electronic devices e g audio speakers CD players DVD players etc can use different voltages more effectively to perform their various functions Most existing comparable books published as recently as 2002 do not discuss closed loop operations nor do they provide either DC closed loop regulation equations or AC loop gain stability formulae The author Wu a leading engineer at Lockheed Martin fills this gap and provides among the first descriptions of how error amplifiers are designed in conjunction with closed loop bandwidth selection

BENEFIT TO THE READER Readers will gain a mathematically rigorous introduction to numerous closed form solutions that are readily applicable to the design and development of various switch mode power converters Provides symbolic closed form solutions for DC and AC studies Provides techniques for expressing close loop operation Gives readers the ability to perform closed loop regulation and sensitivity studies Gives readers the ability to design error amplifiers with precision Employs the concept of the continuity of states in matrix form Gives accelerated time domain steady state studies using Laplace transform Gives accelerated time domain studies using state transition Extensive use of matrix linear algebra implicit functions and Jacobian determinants Enables the determination of power stage gain that otherwise could not be obtained

Wiring Diagrams for Light and Power Edwin P. Anderson,1970 Simplified Design of Voltage/Frequency Converters John Lenk,1997-09-02 Simplified Design of V F Converters shows how to design and experiment with V F converters both voltage to frequency and frequency to voltage The design approach here is the same one used in all of John Lenk s best selling books on simplified and practical design Throughout the book design problems start with guidelines for selecting all components on a trial value basis assuming a specific design goal and set of conditions Then using the guideline values in experimental circuits the desired results are produced by varying the experimental component values if needed If you are a working engineer responsible for designing VFCs or selecting IC converters the variety of circuit configurations described here should simplify your task Not only does the book describe converter circuit designs but it also covers the most popular forms of VFC ICs available Throughout the book you will find a wealth of information on VFC ICs and related components including how to test and troubleshoot completed circuits For all skill levels How to design and build V F converter circuits from scratch

Standard Wiring for Electric Light and Power Harry Cooke Cushing,1902 **Power Converter Circuits for Voltage Boosting, Balancing and Reliable Operation of Energy Systems** Wei Qian,2011 **Wiring Diagrams Professional Reference** Paul Rosenberg,2005-10 The DEWALT Wiring Diagrams Professional Reference is a must for

anyone who installs or replaces electrical wiring Filled with hundreds of diagrams and illustrations that are clear and easy to find this handy pocket guide covers everything from outlets switches lighting motors and controls to power distribution transformers grounding low voltage and hazardous locations Basic wiring guidelines and specifications are also included to make this book as valuable a tool on the job as a pair of wire cutters Check out our app DEWALT Mobile Pro tm This free app is a construction calculator with integrated reference materials and access to hundreds of additional calculations as add ons To learn more visit dewalt com mobilepro

Standard Wiring for Electric Light and Power, as Adopted by the Fire Underwriters of the United States Harry Cooke Cushing,1933

Boyce's Wiring Diagram Manual: Mitsubishi TE MAGNA 2.4L, Mitsubishi TE MAGNA 3.0L, Mitsubishi TF MAGNA 2.4L, Mitsubishi TF MAGNA 3.0L, Mitsubishi KE VERADA 3.5L, Mitsubishi KF VERADA 3.5L ,2001

Power Wiring Diagrams Alfred Thomas Dover,2022-10-27 This work has been selected by scholars as being culturally important and is part of the knowledge base of civilization as we know it This work is in the public domain in the United States of America and possibly other nations Within the United States you may freely copy and distribute this work as no entity individual or corporate has a copyright on the body of the work Scholars believe and we concur that this work is important enough to be preserved reproduced and made generally available to the public We appreciate your support of the preservation process and thank you for being an important part of keeping this knowledge alive and relevant

Audel's Wiring Diagrams for Light and Power Edwin P. Anderson,1945

Immerse yourself in the artistry of words with Crafted by is expressive creation, **Wfco Converter Wiring Diagram** . This ebook, presented in a PDF format (Download in PDF: *), is a masterpiece that goes beyond conventional storytelling. Indulge your senses in prose, poetry, and knowledge. Download now to let the beauty of literature and artistry envelop your mind in a unique and expressive way.

https://ftp.barnabastoday.com/book/Resources/index.jsp/Zoo_Ohne_Z_Une_Wandkalender_Monatskalender.pdf

Table of Contents Wfco Converter Wiring Diagram

1. Understanding the eBook Wfco Converter Wiring Diagram
 - The Rise of Digital Reading Wfco Converter Wiring Diagram
 - Advantages of eBooks Over Traditional Books
2. Identifying Wfco Converter Wiring Diagram
 - Exploring Different Genres
 - Considering Fiction vs. Non-Fiction
 - Determining Your Reading Goals
3. Choosing the Right eBook Platform
 - Popular eBook Platforms
 - Features to Look for in an Wfco Converter Wiring Diagram
 - User-Friendly Interface
4. Exploring eBook Recommendations from Wfco Converter Wiring Diagram
 - Personalized Recommendations
 - Wfco Converter Wiring Diagram User Reviews and Ratings
 - Wfco Converter Wiring Diagram and Bestseller Lists
5. Accessing Wfco Converter Wiring Diagram Free and Paid eBooks
 - Wfco Converter Wiring Diagram Public Domain eBooks
 - Wfco Converter Wiring Diagram eBook Subscription Services
 - Wfco Converter Wiring Diagram Budget-Friendly Options

6. Navigating Wfco Converter Wiring Diagram eBook Formats
 - ePub, PDF, MOBI, and More
 - Wfco Converter Wiring Diagram Compatibility with Devices
 - Wfco Converter Wiring Diagram Enhanced eBook Features
7. Enhancing Your Reading Experience
 - Adjustable Fonts and Text Sizes of Wfco Converter Wiring Diagram
 - Highlighting and Note-Taking Wfco Converter Wiring Diagram
 - Interactive Elements Wfco Converter Wiring Diagram
8. Staying Engaged with Wfco Converter Wiring Diagram
 - Joining Online Reading Communities
 - Participating in Virtual Book Clubs
 - Following Authors and Publishers Wfco Converter Wiring Diagram
9. Balancing eBooks and Physical Books Wfco Converter Wiring Diagram
 - Benefits of a Digital Library
 - Creating a Diverse Reading Collection Wfco Converter Wiring Diagram
10. Overcoming Reading Challenges
 - Dealing with Digital Eye Strain
 - Minimizing Distractions
 - Managing Screen Time
11. Cultivating a Reading Routine Wfco Converter Wiring Diagram
 - Setting Reading Goals Wfco Converter Wiring Diagram
 - Carving Out Dedicated Reading Time
12. Sourcing Reliable Information of Wfco Converter Wiring Diagram
 - Fact-Checking eBook Content of Wfco Converter Wiring Diagram
 - Distinguishing Credible Sources
13. Promoting Lifelong Learning
 - Utilizing eBooks for Skill Development
 - Exploring Educational eBooks
14. Embracing eBook Trends
 - Integration of Multimedia Elements

- Interactive and Gamified eBooks

Wfco Converter Wiring Diagram Introduction

Free PDF Books and Manuals for Download: Unlocking Knowledge at Your Fingertips In today's fast-paced digital age, obtaining valuable knowledge has become easier than ever. Thanks to the internet, a vast array of books and manuals are now available for free download in PDF format. Whether you are a student, professional, or simply an avid reader, this treasure trove of downloadable resources offers a wealth of information, conveniently accessible anytime, anywhere. The advent of online libraries and platforms dedicated to sharing knowledge has revolutionized the way we consume information. No longer confined to physical libraries or bookstores, readers can now access an extensive collection of digital books and manuals with just a few clicks. These resources, available in PDF, Microsoft Word, and PowerPoint formats, cater to a wide range of interests, including literature, technology, science, history, and much more. One notable platform where you can explore and download free Wfco Converter Wiring Diagram PDF books and manuals is the internet's largest free library. Hosted online, this catalog compiles a vast assortment of documents, making it a veritable goldmine of knowledge. With its easy-to-use website interface and customizable PDF generator, this platform offers a user-friendly experience, allowing individuals to effortlessly navigate and access the information they seek. The availability of free PDF books and manuals on this platform demonstrates its commitment to democratizing education and empowering individuals with the tools needed to succeed in their chosen fields. It allows anyone, regardless of their background or financial limitations, to expand their horizons and gain insights from experts in various disciplines. One of the most significant advantages of downloading PDF books and manuals lies in their portability. Unlike physical copies, digital books can be stored and carried on a single device, such as a tablet or smartphone, saving valuable space and weight. This convenience makes it possible for readers to have their entire library at their fingertips, whether they are commuting, traveling, or simply enjoying a lazy afternoon at home. Additionally, digital files are easily searchable, enabling readers to locate specific information within seconds. With a few keystrokes, users can search for keywords, topics, or phrases, making research and finding relevant information a breeze. This efficiency saves time and effort, streamlining the learning process and allowing individuals to focus on extracting the information they need. Furthermore, the availability of free PDF books and manuals fosters a culture of continuous learning. By removing financial barriers, more people can access educational resources and pursue lifelong learning, contributing to personal growth and professional development. This democratization of knowledge promotes intellectual curiosity and empowers individuals to become lifelong learners, promoting progress and innovation in various fields. It is worth noting that while accessing free Wfco Converter Wiring Diagram PDF books and manuals is convenient and cost-effective, it is vital to respect copyright laws and intellectual property rights. Platforms offering free downloads often operate within legal

boundaries, ensuring that the materials they provide are either in the public domain or authorized for distribution. By adhering to copyright laws, users can enjoy the benefits of free access to knowledge while supporting the authors and publishers who make these resources available. In conclusion, the availability of Wfco Converter Wiring Diagram free PDF books and manuals for download has revolutionized the way we access and consume knowledge. With just a few clicks, individuals can explore a vast collection of resources across different disciplines, all free of charge. This accessibility empowers individuals to become lifelong learners, contributing to personal growth, professional development, and the advancement of society as a whole. So why not unlock a world of knowledge today? Start exploring the vast sea of free PDF books and manuals waiting to be discovered right at your fingertips.

FAQs About Wfco Converter Wiring Diagram Books

How do I know which eBook platform is the best for me? Finding the best eBook platform depends on your reading preferences and device compatibility. Research different platforms, read user reviews, and explore their features before making a choice. Are free eBooks of good quality? Yes, many reputable platforms offer high-quality free eBooks, including classics and public domain works. However, make sure to verify the source to ensure the eBook credibility. Can I read eBooks without an eReader? Absolutely! Most eBook platforms offer web-based readers or mobile apps that allow you to read eBooks on your computer, tablet, or smartphone. How do I avoid digital eye strain while reading eBooks? To prevent digital eye strain, take regular breaks, adjust the font size and background color, and ensure proper lighting while reading eBooks. What the advantage of interactive eBooks? Interactive eBooks incorporate multimedia elements, quizzes, and activities, enhancing the reader engagement and providing a more immersive learning experience. Wfco Converter Wiring Diagram is one of the best book in our library for free trial. We provide copy of Wfco Converter Wiring Diagram in digital format, so the resources that you find are reliable. There are also many Ebooks of related with Wfco Converter Wiring Diagram. Where to download Wfco Converter Wiring Diagram online for free? Are you looking for Wfco Converter Wiring Diagram PDF? This is definitely going to save you time and cash in something you should think about.

Find Wfco Converter Wiring Diagram :

**zoo ohne z une wandkalender monatskalender
zukunft kultur zwischen kulturkampf wertsch pfung ebook
zetor 6011 tractor service manual**

[zonder pardon verhalen uit venezuela](#)

[zwiachen den zeiten 1932 heft 3 tm 6](#)

[zongshen 250 owners manual](#)

[zx10r 2006 service manual](#)

[zx14 repair manual oil pan removal](#)

zip zero zilch tammy falkner

[zwanzig jahre danach alexandre dumas ebook](#)

[zwanzigstes jahrhundert seelenbilder einer epoche materialien und analysen](#)

[zumdahl chemistry 6th edition study guide](#)

zf 4hp 22 repair manual

zeventien september roman

[zx6r owners manual](#)

Wfco Converter Wiring Diagram :

[yard work hawaii one comics by dreamtales](#) - Apr 20 2023

web dec 10 2022 female growth shrinking men mini giantess female ar artwork by yuan yard work is back this comics takes off from yard work 16 but is a separate story in

[yard work by markus giantess world](#) - Oct 14 2022

web just a story that popped into my head i mark watched my baseball team bat in the bottom of the eighth it had been a great game so far and they have a good chance to win you

[dreamtalescomics user profile deviantart](#) - Mar 19 2023

web my bio i write and produce giantess gts shrinking women sw and age regression ar comics but am not an artist myself you can see my stories and samples from my

[yard work part eleven by dreamtalescomics on deviantart](#) - Dec 16 2022

web aug 2 2015 yard work part eleven this chapter introduces two new characters and answers the question hey didn t amy have some friends in part eleven before he

yard work giantess pdf ebook and manual free download - Jul 11 2022

web yard work 23595625 pdf 34m 5406 01 mission college yard work 08 19 2010 02710 48 section 02710 yardwork i part one general a description 1

[giantessfan yard work mnogobukof](#) - Sep 13 2022

web oct 9 2016 a typical night at home with amy and mom becomes a wild encounter with sexy giantesses nothing much happens in yard work 10 nicole comes over to visit

yard work complete 1 16 comics by dreamtales - Aug 24 2023

web this package features over 600 pages of top quality artwork as luke shrinks and his sister mom and girlfriend grow multiple themes include giantess mini gts female growth

giantess yard 01 by elegts on deviantart - Nov 15 2022

web may 22 2020 a giantess discovers a tiny village in her yard models shoes biker boots female by mindfront male classic jeans by punkduck

yard work seventeen comics by dreamtales - Feb 18 2023

web female growth shrinking men giantess artwork by yuan yard work is back this is a three part story focusing on luke and nicole plus some new characters little neighbor

yard work giantess clr inymac com - May 09 2022

web yard work giantess 3 3 walter s mother demands he cut the nonsense and join the family mortuary business far off on flaster isle famed inventor horace flasterborn plans to

yard work giantess ministry of education youth and sports - Jun 10 2022

web yard work giantess yard work giantess getting the books yard work giantess now is not type of challenging means you could not without help going when book gathering or

yard work hawaii three comics by dreamtales - Jan 17 2023

web mar 12 2023 emily s in charge in yard work hawaii three 16 pages color us 9 99 female growth shrinking woman mini giantess female ar artwork by yuan lots

yard work pack three giantess comics pinterest yard tall women - Aug 12 2022

web aug 26 2023 pin on giantess comics yard work is back this comics takes off from yard work 16 but is a separate story in itself luke mom amy and nicole check into a resort

yard work part one comics by dreamtales - May 21 2023

web may 5 2013 yard work part one 50 april 29 2013 34 pages color us 8 99 female growth shrinking men artwork by sedna studio part one of a multi part series that

dreamtales yardwork hawaii page 2 8muses forums - Jul 23 2023

web apr 19 2023 dreamtales yardwork hawaii pizza sauce dec 10 2022 age progression giantess growth minigiantess tall girl p pizza sauce new member dec 10 2022 1

yard work pack one parts 1 3 comics by dreamtales - Jun 22 2023

web 107 pages color us 25 99female growth shrinking menartwork by sedna studio parts one through three of the multi part series that explores in minute detail what

[prayer cookbook for busy people book 4 cracking your](#) - Apr 03 2023

web prayer cookbook for busy people book 4 cracking your dream code by elisha goodman 2009 11 25 amazon com books see all buying options

prayer cookbook busy people by elisha goodman abebooks - Feb 01 2023

web prayer cookbook for busy people book 1 222 golden key prayers by goodman elisha and a great selection of related books art and collectibles available now at abebooks com

prayer cookbook for busy people book 2 point by point - Aug 27 2022

web nov 30 2009 4 41 29 ratings1 review there are prayers that can help rekindle the interest of your spouse in your marriage even if he or she hasn t looked at you in years in some

[prayer cookbook for busy people book 1 222 golden](#) - May 04 2023

web prayer cookbook for busy people book 1 222 golden key prayers by goodman elisha isbn 10 0981349102 isbn 13 9780981349107 elisha goodman 2009 softcover

prayer cookbook for busy people book 2 point by point - Dec 31 2022

web prayer cookbook for busy people book 2 point by point goodman elisha 9780981349114 abebooks

[prayer cookbook for busy people elisha goodman](#) - Jun 24 2022

web prayer cookbook for busy people 222 golden key prayers to open heaven s back door and bring you answers in 10 days or less will offer you more than just praying

[prayer cookbook busy people 222 by elisha goodman abebooks](#) - Nov 29 2022

web dec 2 2009 prayer cookbook for busy people book 1 222 golden key prayers by goodman elisha and a great selection of related books art and collectibles available

prayer for busy people by goodman - Mar 22 2022

web prayer cookbook for busy people book 2 elisha goodman 2009 11 30 there are prayers that can help rekindle the interest of your spouse in your marriage even if he or

[prayer cookbook for busy people book 1 google books](#) - Jun 05 2023

web prayer cookbook for busy people book 1 222 golden key prayers author elisha goodman publisher elisha goodman 2009 isbn 0981349102 9780981349107

[prayer cookbook for busy people book 2 point by point](#) - Jul 06 2023

web nov 30 2009 prayer cookbook for busy people book 2 point by point paperback november 30 2009 by elisha goodman

author 4 9 4 9 out of 5 stars 34 ratings

prayer cookbook for busy people book 1 222 golden key - Oct 29 2022

web dec 2 2009 prayer cookbook for busy people book 1 222 golden key prayers elisha goodman 3 95 99 ratings 5 reviews

what is an esther fast why is the midnight prayer

prayer cookbook for busy people book 1 222 golden key - Aug 07 2023

web buy prayer cookbook for busy people book 1 222 golden key prayers by goodman elisha isbn 9780981349107 from amazon s book store everyday low prices and free

prayer cookbook for busy people book 2 point by point alibris - Jul 26 2022

web buy prayer cookbook for busy people book 2 point by point by elisha goodman online at alibris we have new and used copies available in 1 editions starting at 7 25 shop

prayer cookbook for busy people book 7 rainmaker s prayer - Nov 17 2021

web jul 18 2009 prayer cookbook for busy people book 7 rainmaker s prayer goodman elisha on amazon com free shipping on qualifying offers prayer cookbook for

prayer cookbook for busy people book 1 222 golden key - Sep 08 2023

web dec 2 2009 elisha goodman woot prayer cookbook for busy people book 1 222 golden key prayers goodman elisha on amazon com free shipping on qualifying

20 prayers to pray throughout a busy day crosswalk - Feb 18 2022

web jan 3 2018 the lord is with me i will not be afraid psalm 118 6 lord be with me already i feel consumed with overwhelm as i think about all that is before me today

god just gave us a warning about 2024 god just gave us a - Dec 19 2021

web god just gave us a warning about 2024 join us on a compelling journey through the aftermath of recent elections in this episode we unravel the

prayer cookbook for busy people book 7 rainmaker s prayer - Sep 27 2022

web jul 18 2009 today 21st century rainmakers are busy using the principles of scripture to pray for healing deliverance and prosperity and bringing joy to the lives thousands all

prayer cookbook for busy people book 7 rainmaker s prayer - May 24 2022

web elisha goodman jul 18 2009 260 pages a rainmaker is someone who brings timely solutions to spiritual problems he or she does this through targeted prayers in the

20 prayers to pray throughout a busy day faithit - Jan 20 2022

web jul 24 2018 give me strength o lord i pray 5 protect me i have given you authority to trample on snakes and scorpions

and to overcome all the power of the enemy nothing

prayer cookbook for busy people book 7 rainmaker s prayer - Mar 02 2023

web jul 18 2009 today 21st century rainmakers are busy using the principles of scripture to pray for healing deliverance and prosperity and bringing joy to the lives thousands all

20 prayers for busy people on the go epicpew - Apr 22 2022

web sep 20 2018 1 o god be merciful to me a sinner 2 o lord do not remember our former wickedness and be merciful and forgive our sins for the sake of your holy name 3 o

pdf prayer cookbook for busy people download free - Oct 09 2023

web access full book title prayer cookbook for busy people book 1 by elisha goodman the book available in format pdf epub and mobi format read online books or download prayer cookbook for busy people full book

printable pirate ship template kids craft - Jul 08 2022

web pirate ship pop up card template pdf pages 3 17 pirate ship pop up card template pdf upload arnold x paterson 3 17 downloaded from black ortax org on september 8

pirate party pop up thank you cards teacher made - Sep 22 2023

web jan 18 2019 ahoy crafty mate i ve got a pirate ship pop up card for you today for links to the products i ve used check out my blog pearblossompress com pirat

pop up pirate ship card template for silhouette and cricut etsy - Aug 21 2023

web note card template pirate ship 3d pop up card kirigami pattern note card template pop up card templates birthday card template christmas card template

pirate ship pop up card template the shoot - Oct 11 2022

web may 9 2019 printable pirate ship template and craft ages 3 time 30 minutes materials pirate ship printable template download the free template

pirate ship pop up card charmpopcards - Jan 14 2023

web mar 15 2022 feb 21 2020 the captivating 51 free pop up card templates tree download for pop up card regarding free pop up card templates lair on tom

pop up card tutorial ship youtube - Nov 12 2022

web making of the lovepop pirate ship card a behind the scenes looks at how the awesome lovepop cherry pirate ship card comes to life

pirate ship pop up card etsy - May 18 2023

web this cutting machine files item by superlativecards has 458 favorites from etsy shoppers ships from united states listed

on 04 sep 2023

pop up pirate ship card template for silhouette and cricut etsy - Mar 16 2023

web may 3 2018 pirate ship pop up card has a huge pirate ship pattern on its navy cover opening the card you will discover a sculpture of a full rigged ship with white and navy

pirate ship png transparent images free download vector - Feb 03 2022

diy cardboard pirate ship 8 steps with pictures instructables - Jun 07 2022

web pngtree provides you with 129 free transparent pirate ship png vector clipart images and psd files all of these pirate ship resources are for free download on pngtree

pirate ship pop up card youtube - Jul 20 2023

web 9 99 free shipping gold black pirate ship pop up card 2k 8 63 10 79 20 off kirigami pop up card 147 10 40 tall pirate ship pop up greeting card 3 5k 11 95

pop up pirate ship etsy - Apr 17 2023

web free shipping pop up pirate ship card template for silhouette and cricut digital download 74 3 88 powerful us navy ship pop up card 3d popup greeting cards

pirate ship png vector and transparent clipart images pngtree - Mar 04 2022

tutorial 52 3d kirigami piratel ship pop up card - Dec 13 2022

web jun 7 2020 explore ttrmaier s board pirate ship on pinterest see more ideas about pop up cards pop up card templates paper pop

ttrmaier pinterest - Sep 10 2022

web diy cardboard pirate ship hi in this instructable i show you how i made a pirate ship for this project i used cardboard from pizza boxes egg cartons hot glue thread super glue

pirate ship 3d pop up card kirigami pattern pop up card - Jun 19 2023

web 11 95 free shipping jolly roger pirate ship 3d pop up card 1 9k 10 41 free shipping pirate skull boat pop up kirigami 3d cards handmade uniqe birthday

pop up pirate ship card template for silhouette and - Oct 23 2023

web this is a digital download template for a pop up pirate ship card this would make a wonderful handmade card your purchase includes the following 1 svg dxf files

pop up ship card etsy - Feb 15 2023

web dec 6 2019 print out file bit ly shippopuphistory fathelvi blogspot com 2019 12 ship pop up card tutorial htmlbackground
pirate party pop up thank you cards teacher made twinkl - Jan 02 2022

pirate ship pop up card template pdf copy black ortax - Apr 05 2022

web making your own pop up pirate ship thank you card is a fun and interactive way to send thanks for coming to your pirate party how can i make a pop up pirate ship this

pirate ship gifs tenor - May 06 2022

web 491 images collections new license pirate ship sail transparent pirate ship pirate pirates ship transparent pirate ship pirates ship side transparent a beautiful pirate

making of the lovepop pirate ship card youtube - Aug 09 2022

web with tenor maker of gif keyboard add popular pirate ship animated gifs to your conversations share the best gifs now