

LAND CRUISER / LAND CRUISER

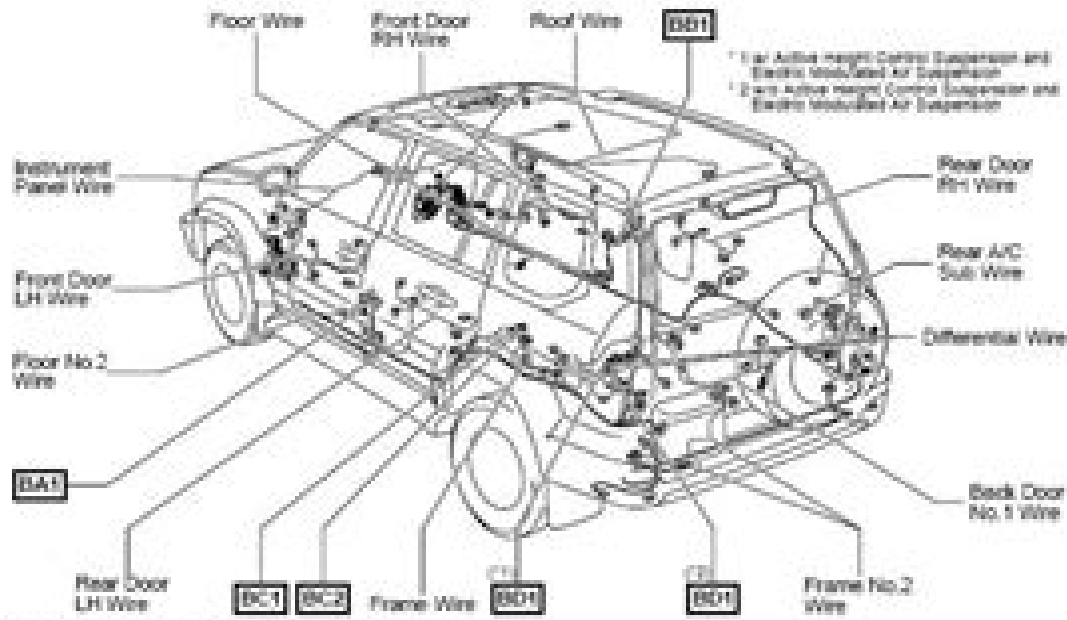
- ▶ New Car Features
- ▶ New Car Features (2003.1 -)
- ▶ New Car Features (2004.8 -)
- ▶ Repair Manual
- ▶ Engine Repair Manual [1GR-FE]
- ▶ Engine Repair Manual [3RZ-FE]
- ▶ Engine Repair Manual [2TR-FE]
- ▶ Engine Repair Manual [1KZ-TE]
- ▶ Engine Repair Manual [1KD-FTV] (- 2004)
- ▶ Engine Repair Manual [1KD-FTV] (2004.8 -)
- ▶ Engine Repair Manual [5L-E]
- ▶ MT Repair Manual [G52]
- ▶ MT Repair Manual [W56]
- ▶ MT Repair Manual [R150F]
- ▶ MT Repair Manual [R461F]
- ▶ A/T Repair Manual [A343F]
- ▶ A/T Repair Manual [A750F]
- ▶ **Electrical Wiring Diagram**
- INTRODUCTION
- HOW TO USE THIS MANUAL
- TROUBLESHOOTING
- ABBREVIATIONS
- GLOSSARY OF TERMS AND SYMBOLS
- RELAY LOCATIONS
- ELECTRICAL WIRING ROUTING (Parts)
- ELECTRICAL WIRING ROUTING (W/W, G/P, S/P)
- LHD-Engine Compartment
- LHD-Instrument Panel
- 2002.9 - 2004.7
- 2004.8 -
- LHD-Body
- RHD-Engine Compartment
- RHD-Instrument Panel
- RHD-Body
- 5-Door (2002.9 - 2004.7)
- 5-Door (2004.8 -)
- 3-Door (2002.9 - 2004.7)
- 3-Door (2004.8 -)
- SYSTEM CIRCUITS (2002.9 -)
- Ground Points (2002.9 -)

Navigation icons: Print, Save, Home, Back, Forward, 1 / 1, Refresh, 60%, Find

E ELECTRICAL WIRING ROUTING

□ : Location of Connector Joining Wire Harness and Wire Harness

[RHD : 5-Door]



* 1 for Active Height Control Suspension and Electric Inboard Air Suspension
 * 2 for Active Height Control Suspension and Electric Inboard Air Suspension

▽ : Location of Ground Points



Toyota Land Cruiser Prado User Manual

Helming



Toyota Land Cruiser Prado User Manual:

Thailand Transportation Strategy and Regulations Handbook - Strategic Information and Regulations IBP, Inc,2008-03-03
Thailand Transportation Policy and Regulations Handbook **Government Handbook** Uganda,2005 **Thailand: Doing Business and Investing for Everyone Guide - Practical Information and Contacts** IBP, Inc.,2014-09-12 Business in Thailand for Everyone Practical Information and Contacts for Success **Daily Graphic** Ransford Tetteh,2011-02-10
2018 Toyota Land Cruiser Owner Manual Compatible with OEM Owners Manual, Factory Glovebox Book Helming,2018-01-29 **Graphic Sports** Joe Aggrey,1998-06-23 **2020 Toyota Land Cruiser Owner Manual Compatible with OEM Owners Manual, Factory Glovebox Book** Helming,2020-03-14 *Toyota and the World* ,2007
2011 Toyota Land Cruiser Owner Manual Compatible with OEM Owners Manual, Factory Glovebox Book Helming,2011-03-10 *eBook: New Products Management 11e* CRAWFORD,2014-09-16 *eBook New Products Management 11e* **2015 Toyota Land Cruiser Owner Manual Compatible with OEM Owners Manual, Factory Glovebox Book** Helming,2015-09-08 **Toyota Land Cruiser Owner's Manual** ,1978 *Malaysian Business* ,1999 **New Generation of Engine...** Pierre Duret, There is growing interest in the new generation of engine combustion processes that are emerging from research and development projects worldwide The new combustion processes generally bring about significant improvements in fuel economy combined with ultra low emissions of pollutants The French Petroleum Institute an internationally recognized expert in new engine combustion processes organized an international congress whose proceedings are presented in this book The meeting provided an opportunity for experts from the automotive industry the heavy duty and small engine sectors OEM suppliers fuel companies and R D organizations to exchange views on the chances of success of newly developed engine combustion processes *Ward's Automotive Yearbook* ,2007 Includes advertising matter *Africa, Birds & Birding* ,1998 **Law Institute Journal** ,1997 *The All-Pakistan Legal Decisions* ,2000
Marketing Management in China Philip Kotler,Kevin Lane Keller,Taihong Lu,2009 This adaptation provides hard to find and well researched China cases that offer insights while covering a wide variety of contexts spanning international companies operating in China to Chinese companies that are beginning to venture overseas Automotive News ,2008

Right here, we have countless book **Toyota Land Cruiser Prado User Manual** and collections to check out. We additionally find the money for variant types and as a consequence type of the books to browse. The usual book, fiction, history, novel, scientific research, as well as various other sorts of books are readily open here.

As this Toyota Land Cruiser Prado User Manual, it ends going on bodily one of the favored books Toyota Land Cruiser Prado User Manual collections that we have. This is why you remain in the best website to see the incredible ebook to have.

<https://ftp.barnabastoday.com/About/uploaded-files/HomePages/Vigorelli%20Sewing%20Machine%20Manual.pdf>

Table of Contents Toyota Land Cruiser Prado User Manual

1. Understanding the eBook Toyota Land Cruiser Prado User Manual
 - The Rise of Digital Reading Toyota Land Cruiser Prado User Manual
 - Advantages of eBooks Over Traditional Books
2. Identifying Toyota Land Cruiser Prado User Manual
 - Exploring Different Genres
 - Considering Fiction vs. Non-Fiction
 - Determining Your Reading Goals
3. Choosing the Right eBook Platform
 - Popular eBook Platforms
 - Features to Look for in an Toyota Land Cruiser Prado User Manual
 - User-Friendly Interface
4. Exploring eBook Recommendations from Toyota Land Cruiser Prado User Manual
 - Personalized Recommendations
 - Toyota Land Cruiser Prado User Manual User Reviews and Ratings
 - Toyota Land Cruiser Prado User Manual and Bestseller Lists
5. Accessing Toyota Land Cruiser Prado User Manual Free and Paid eBooks
 - Toyota Land Cruiser Prado User Manual Public Domain eBooks

- Toyota Land Cruiser Prado User Manual eBook Subscription Services
- Toyota Land Cruiser Prado User Manual Budget-Friendly Options
- 6. Navigating Toyota Land Cruiser Prado User Manual eBook Formats
 - ePub, PDF, MOBI, and More
 - Toyota Land Cruiser Prado User Manual Compatibility with Devices
 - Toyota Land Cruiser Prado User Manual Enhanced eBook Features
- 7. Enhancing Your Reading Experience
 - Adjustable Fonts and Text Sizes of Toyota Land Cruiser Prado User Manual
 - Highlighting and Note-Taking Toyota Land Cruiser Prado User Manual
 - Interactive Elements Toyota Land Cruiser Prado User Manual
- 8. Staying Engaged with Toyota Land Cruiser Prado User Manual
 - Joining Online Reading Communities
 - Participating in Virtual Book Clubs
 - Following Authors and Publishers Toyota Land Cruiser Prado User Manual
- 9. Balancing eBooks and Physical Books Toyota Land Cruiser Prado User Manual
 - Benefits of a Digital Library
 - Creating a Diverse Reading Collection Toyota Land Cruiser Prado User Manual
- 10. Overcoming Reading Challenges
 - Dealing with Digital Eye Strain
 - Minimizing Distractions
 - Managing Screen Time
- 11. Cultivating a Reading Routine Toyota Land Cruiser Prado User Manual
 - Setting Reading Goals Toyota Land Cruiser Prado User Manual
 - Carving Out Dedicated Reading Time
- 12. Sourcing Reliable Information of Toyota Land Cruiser Prado User Manual
 - Fact-Checking eBook Content of Toyota Land Cruiser Prado User Manual
 - Distinguishing Credible Sources
- 13. Promoting Lifelong Learning
 - Utilizing eBooks for Skill Development
 - Exploring Educational eBooks

14. Embracing eBook Trends

- Integration of Multimedia Elements
- Interactive and Gamified eBooks

Toyota Land Cruiser Prado User Manual Introduction

Free PDF Books and Manuals for Download: Unlocking Knowledge at Your Fingertips In today's fast-paced digital age, obtaining valuable knowledge has become easier than ever. Thanks to the internet, a vast array of books and manuals are now available for free download in PDF format. Whether you are a student, professional, or simply an avid reader, this treasure trove of downloadable resources offers a wealth of information, conveniently accessible anytime, anywhere. The advent of online libraries and platforms dedicated to sharing knowledge has revolutionized the way we consume information. No longer confined to physical libraries or bookstores, readers can now access an extensive collection of digital books and manuals with just a few clicks. These resources, available in PDF, Microsoft Word, and PowerPoint formats, cater to a wide range of interests, including literature, technology, science, history, and much more. One notable platform where you can explore and download free Toyota Land Cruiser Prado User Manual PDF books and manuals is the internet's largest free library. Hosted online, this catalog compiles a vast assortment of documents, making it a veritable goldmine of knowledge. With its easy-to-use website interface and customizable PDF generator, this platform offers a user-friendly experience, allowing individuals to effortlessly navigate and access the information they seek. The availability of free PDF books and manuals on this platform demonstrates its commitment to democratizing education and empowering individuals with the tools needed to succeed in their chosen fields. It allows anyone, regardless of their background or financial limitations, to expand their horizons and gain insights from experts in various disciplines. One of the most significant advantages of downloading PDF books and manuals lies in their portability. Unlike physical copies, digital books can be stored and carried on a single device, such as a tablet or smartphone, saving valuable space and weight. This convenience makes it possible for readers to have their entire library at their fingertips, whether they are commuting, traveling, or simply enjoying a lazy afternoon at home. Additionally, digital files are easily searchable, enabling readers to locate specific information within seconds. With a few keystrokes, users can search for keywords, topics, or phrases, making research and finding relevant information a breeze. This efficiency saves time and effort, streamlining the learning process and allowing individuals to focus on extracting the information they need. Furthermore, the availability of free PDF books and manuals fosters a culture of continuous learning. By removing financial barriers, more people can access educational resources and pursue lifelong learning, contributing to personal growth and professional development. This democratization of knowledge promotes intellectual curiosity and empowers individuals to become lifelong learners, promoting progress and innovation in various

fields. It is worth noting that while accessing free Toyota Land Cruiser Prado User Manual PDF books and manuals is convenient and cost-effective, it is vital to respect copyright laws and intellectual property rights. Platforms offering free downloads often operate within legal boundaries, ensuring that the materials they provide are either in the public domain or authorized for distribution. By adhering to copyright laws, users can enjoy the benefits of free access to knowledge while supporting the authors and publishers who make these resources available. In conclusion, the availability of Toyota Land Cruiser Prado User Manual free PDF books and manuals for download has revolutionized the way we access and consume knowledge. With just a few clicks, individuals can explore a vast collection of resources across different disciplines, all free of charge. This accessibility empowers individuals to become lifelong learners, contributing to personal growth, professional development, and the advancement of society as a whole. So why not unlock a world of knowledge today? Start exploring the vast sea of free PDF books and manuals waiting to be discovered right at your fingertips.

FAQs About Toyota Land Cruiser Prado User Manual Books

What is a Toyota Land Cruiser Prado User Manual PDF? A PDF (Portable Document Format) is a file format developed by Adobe that preserves the layout and formatting of a document, regardless of the software, hardware, or operating system used to view or print it. **How do I create a Toyota Land Cruiser Prado User Manual PDF?** There are several ways to create a PDF: Use software like Adobe Acrobat, Microsoft Word, or Google Docs, which often have built-in PDF creation tools. Print to PDF: Many applications and operating systems have a "Print to PDF" option that allows you to save a document as a PDF file instead of printing it on paper. Online converters: There are various online tools that can convert different file types to PDF. **How do I edit a Toyota Land Cruiser Prado User Manual PDF?** Editing a PDF can be done with software like Adobe Acrobat, which allows direct editing of text, images, and other elements within the PDF. Some free tools, like PDFescape or Smallpdf, also offer basic editing capabilities. **How do I convert a Toyota Land Cruiser Prado User Manual PDF to another file format?** There are multiple ways to convert a PDF to another format: Use online converters like Smallpdf, Zamzar, or Adobe Acrobats export feature to convert PDFs to formats like Word, Excel, JPEG, etc. Software like Adobe Acrobat, Microsoft Word, or other PDF editors may have options to export or save PDFs in different formats. **How do I password-protect a Toyota Land Cruiser Prado User Manual PDF?** Most PDF editing software allows you to add password protection. In Adobe Acrobat, for instance, you can go to "File" -> "Properties" -> "Security" to set a password to restrict access or editing capabilities. Are there any free alternatives to Adobe Acrobat for working with PDFs? Yes, there are many free alternatives for working with PDFs, such as: LibreOffice: Offers PDF editing features. PDFsam: Allows splitting, merging, and editing PDFs. Foxit Reader: Provides basic PDF viewing and editing capabilities. How do I compress a PDF file?

You can use online tools like Smallpdf, ILovePDF, or desktop software like Adobe Acrobat to compress PDF files without significant quality loss. Compression reduces the file size, making it easier to share and download. Can I fill out forms in a PDF file? Yes, most PDF viewers/editors like Adobe Acrobat, Preview (on Mac), or various online tools allow you to fill out forms in PDF files by selecting text fields and entering information. Are there any restrictions when working with PDFs? Some PDFs might have restrictions set by their creator, such as password protection, editing restrictions, or print restrictions. Breaking these restrictions might require specific software or tools, which may or may not be legal depending on the circumstances and local laws.

Find Toyota Land Cruiser Prado User Manual :

vigorelli sewing machine manual

[vespa px 150 usa workshop service repair manual](#)

vier eeuwen nederland japan

vidas antes de la vida guia practica para hacer regresiones spanish edition

[vietnam veterans the road to recovery](#)

vies morts dun cr tois l preux

vicars tarts michael h kelly

vertrauen in deutschland vertrauen in deutschland

[veterinary clinical parasitology 5th fifth edition](#)

victor e obasohan workbook answer key

[vias ferratas 50 mejores recorridos de espana guia alpina](#)

[viewsonic pj551d 1 multimedia dlp projector service manual](#)

vespa acma manual

verpr gelung eines jungen juden amerikanischen ebook

[victa pro 12 manual](#)

Toyota Land Cruiser Prado User Manual :

a518 46re 46rh a618 47rh 47re 48re - Aug 19 2023

mar 1 2020 this is an overview of the process of breaking down and rebuilding the 46re transmission we go through the whole rebuild process this project takes a little bit more time to work through but

46re 46rh 518 performance transmissions and - Aug 07 2022

nov 7 2022 fits durango 98 03 4 sp rwd 4x4 v8 5 9l 46re dakota 95 4 sp rwd 4x4 v8 5 2l 46rh dakota 98 03 4 sp rwd 4x4 v8 5 9l 46re ram 1500 3500 95

a518 46rh 46re a618 47rh 47re transmissions - Dec 31 2021

46rh 46re 47rh 47re 48re a518 a618 rwd 4 speed - May 16 2023

jul 19 2023 find many great new used options and get the best deals for 46re 47re pump rebuilt 94 03 dodge jeep a518 a618 46rh 47rh complete pump at the best online

a518 46rh 46re transmission rebuild kit with - Nov 29 2021

a518 46rh 46re a618 47rh 47re 48re transmission - Mar 02 2022

46re transmission rebuild youtube - Jun 17 2023

9 99 add to cart automatic transmission front pump metal clad seal a518 46rh 46re a618 47re 47rh 48re jeep chrysler dodge 1990 2007 fits

dodge transmissions torque converters and transmission parts - Jun 05 2022

a518 46rh 46re a618 47rh 47re transmissions remanufactured pump fits 94 02 dodge jeep transmission parts distributors home automatic

46re transmission rebuild the disassembly part 1 youtube - Oct 09 2022

sep 24 2007 01ctd 4 sep 23 2007 o and if your gogin to do it with the vb in the truck get a 3 16 allen key and grind down the short end to a 1 4 it the ony way i got the thing to fit in there

how to adjust the transmission fluid pressure 46re - May 04 2022

jun 29 2021 a518 46rh 46re transmission rebuild kit with steels filter bushings frictions band etc fits 90 97 dodge jeep transmission parts

dodge chrylser jeep transmission parts a518 46rh - Jul 06 2022

automatic transmission a518 46rh 46re a618 47rh 47re dodge jeep a518 46rh 46re a618 47rh 47re 48re a727 tf8 transmission front pump bushing

chrysler corporation and the 46re transmission what you - Apr 03 2022

46rh 4rh 46re 47re 48re parts page transmission bench - Sep 08 2022

march 6 2021 chrysler corporation has used many different types of transmissions for their chrysler dodge jeep and ram vehicles they range from semi automatic automatic and

46rh transmission repair manuals - Nov 10 2022

patc performance automotive transmission center builds many dodge performance transmissions 46re 47re 48re 68rfe 518 46rh 727 45rfe and others we build

a518 a618 46rh 46re 47rh 47re 48re transmission front - Apr 15 2023

chrysler 46re 46rh 47re 47rh zip it pat nubel 46 47e ip uic uie 1 3 4 5 2 5 2019 sonnax transmission company inc a marmon berkshire hathaway company 46 47rhe

amazon com shift rite transmissions replacement for - Mar 14 2023

jan 23 2020 transmission oil pump removal slide hammers 46re a518 dodge transmission diy front pump removal slides made from 10 inch long 3 8 inch bolts 16 tpi

chrysler 46re 46rh 47re 47rh zip it - Jan 12 2023

this kit includes 1 master kit 22006gw which includes all friction and steel plates as well as hi energy friction plates 2 filter 3 kickdown band 4 pump bushing 5 direct clutch drum

transmission oil pump removal slide hammers 46re a518 - Dec 11 2022

dodge chrysler jeep transmission parts a518 46rh 47rh a618 46re 47re 48re pumps pump parts global transmission parts 844 298 6404 login or sign up

46re 47re pump rebuilt 94 03 dodge jeep a518 a618 - Feb 13 2023

mar 2 2018 0 00 8 35 46re transmission rebuild the disassembly part 1 mroffandon 17 4k subscribers subscribe 652 share 71k views 5 years ago this is a quick overview

39 results for dodge transmission pump 46re ebay - Sep 20 2023

get the best deals for dodge transmission pump 46re at ebay com we have a great online selection at the lowest prices with fast free shipping on many items

a518 46rh 46re a618 47rh 47re 48re a727 tf8 - Feb 01 2022

1994 2002 46re 47re a518 pump assembly - Jul 18 2023

2008 automatic transmission kit components catalog 2008 parker hannifin corp 46rh 46re 47rh 47re 48re a518 a618 rwd 4 speed a pump

kg 2 syllabus for cbse pattern 2022 ci kubesail - Jul 02 2022

web kg 2 syllabus for cbse pattern physics lab manual class xii according to the latest cbse syllabus and other state boards

following the cbse curriculum cbse mathematics for class xi

lkg syllabus 2023 download lkg syllabus pdf for cbse - Mar 30 2022

web nov 19 2021 continue reading this article to know more about lkg syllabus parents must check the below link and download the pdf to impart knowledge to their children and enhance their education related learn 2 to 20 tables easily lkg syllabus for cbse icse before getting into the details of the lkg syllabus let s look at the subjects under

kg 2 syllabus for cbse pattern gurukul - Feb 09 2023

web we pay for kg 2 syllabus for cbse pattern and numerous book collections from fictions to scientific research in any way along with them is this kg 2 syllabus for cbse pattern that can be your partner

cbse lkg syllabus 2024 pdf download all subject - Jul 14 2023

web the central board of secondary education is announced subject wise latest syllabus to delhi scheme chennai scheme and all india scheme kg1 pp1 lkg students to the academic year of 2024 all the students and parents can download for cbse board and their affiliated schools list of topics for cbse board l k g pp1 kg1 action words

kg 2 syllabus for cbse pattern copy uniport edu - Dec 07 2022

web apr 26 2023 kg 2 syllabus for cbse pattern 2 13 downloaded from uniport edu ng on april 26 2023 by guest on the mcqs this book divided the first have syllabus of physics into 8 chapters giving the complete coverage quick revision notes are covering all the topics of the chapter as per the prescribed pattern

ukg kg2 senior kg syllabus of cbse icse 2021 youtube - Mar 10 2023

web earlier we uploaded the syllabus of lkg this time ukg syllabus is in your hand so watch this video till the end your conception about ukg syllabus will be

kg 2 syllabus for cbse pattern pdf uniport edu - Aug 03 2022

web may 14 2023 kg 2 package has set of 8 workbooks covering most topics your child learns in ukg kg 2 montessori this includes plenty of activities on numbers math logic alphabets words reading writing rhymes and stories

cbse lkg syllabus for all subjects 2023 24 best guide - Apr 30 2022

web may 2 2023 the cbse which is known as the central board of secondary education released the syllabus for lkg the lkg class syllabus includes all the subjects that children need for their physical and mental development although parents are advised to once check the latest syllabus in the school to which their children are admitted

kg 2 syllabus for cbse pattern pdf uniport edu - Oct 05 2022

web apr 23 2023 syllabus for cbse pattern below cbse most likely question bank mathematics class 12 2022 exam categorywise chapterwise with new objective paper pattern reduced syllabus gurukul 2021

ukg syllabus for cbse and icse 2023 download pdf - Apr 11 2023

web jul 3 2023 we have developed the latest ukg syllabus based on guidelines from major educational boards in india including the cbse icse and cambridge boards the syllabus is designed to support children s overall development and prepare them for future challenges subject wise syllabus for ukg ukg syllabus for english ukg syllabus

download detailed lkg syllabus byju s - Jan 28 2022

web get detailed lkg syllabus cbse lkg stand for lower kindergarten which is a preschool education in this class students are taught by playing singing and through practical activities such as drawing they learn bits and pieces of the alphabet and numbers

ncert solutions for class kg maths updated for 2023 24 - Nov 06 2022

web mar 9 2022 cbse kg syllabus 2023 24 for pre school or play school will not prescribe a book but will include a lesson that advises teachers on how to create activity zones in the classroom create daily and weekly schedules

cbse ukg syllabus for all subjects 2023 24 best guide - Jun 01 2022

web may 2 2023 in this article i will share the complete syllabus of ukg class including subjects like english maths hindi evs and gk ukg stands for upper kindergarten and it is also known as kg2 ukg is a preschool education for children it is a class in which children learn new things by interacting with other children

cbse ukg syllabus 2023 24 download pdf byju s - Aug 15 2023

web the cbse ukg syllabus integrates the various domains of development with the learning outcomes in such a way that it is compatible with the natural learning behaviour of young children of this age group here we have provided the detailed syllabus cbse ukg english language syllabus 1 letters aa zz identification sound of letters

kg 2 syllabus for cbse pattern bpi download only - Dec 27 2021

web kg 2 syllabus for cbse pattern right here we have countless ebook kg 2 syllabus for cbse pattern and collections to check out we additionally manage to pay for variant types and with type of the books to browse the welcome book fiction history novel scientific research as well as various other sorts of books are readily genial here

lkg syllabus 2023 24 check here for all subjects syllabus - Feb 26 2022

web jul 4 2023 cbse lkg syllabus 2023 for mathematics check out the syllabus for mathematics prescribed by cbse for class lkg shapes identify circles and triangles and identify squares and rectangles count to 3 learn to count up to 3 count dots up to 3 count shapes up to 3 count objects up to 3 count on ten frames up to 3 show

cbse lkg syllabus 2021 download lkg syllabus for maths - Sep 04 2022

web jun 25 2021 cbse board has published the detailed cbse lkg 2021 syllabus with the particular planner with the monthly planner for the pp1 students cbse board lkg kg1 syllabus 2020 2021 for 1st and 2nd term candidates can download the cbse lkg syllabus 2021 from this article

cbse ukg syllabus 2024 academic planner pdf download - Jun 13 2023

web the cbse board is announced with subject wise curriculum for the cbse ukg syllabus 2024 for all eligible kids after approval of the department of school education for term 1 term 2 term 3 term 4 exams to evaluation 1 evaluation 2 evaluation 3 evaluation 4 along with sa fa unit tests quarterly half yearly pre final and annual final pu

cbse academics unit curriculum syllabus - Jan 08 2023

web cbse academics unit curriculum syllabus curriculum of skill subjects for the academic session 2022 23

kg 2 syllabus for cbse pattern pdf uniport edu - May 12 2023

web jun 26 2023 kg 2 syllabus for cbse pattern 1 14 downloaded from uniport edu ng on june 26 2023 by guest kg 2 syllabus for cbse pattern this is likewise one of the factors by obtaining the soft documents of this kg 2 syllabus for cbse pattern by online you might not require more time to spend to go to the books establishment as competently as

system dynamics an introduction pdf pdf fourier transform - Nov 02 2022

web adrienne olsen handbook of engineering systems design new harbinger publications this unique textbook takes the student from the initial steps in modeling a dynamic

introduction to system dynamics rowell solution pdf mail - Dec 23 2021

introduction to system dynamics rowell solution pdf usa - Mar 26 2022

web introduction to system dynamics rowell solution 1 introduction to system dynamics rowell solution business dynamics systems thinking and modeling for a

system dynamics an introduction rowell derek free - Mar 06 2023

web may 29 2023 system dynamics an introduction rowell derek free download borrow and streaming internet archive an illustration of a computer application

introduction to system dynamics rowell solution elk dyl - May 28 2022

web introduction to system dynamics rowell solution advances in computational multibody systems principles of analytical system dynamics system dynamics advances in

system dynamics an introduction rowell solution - Feb 05 2023

web sep 30 1996 system dynamics an introduction 1st edition by derek rowell author david wormley author 3 7 6 ratings see all formats and editions paperback 105 70 8

introduction to system dynamics rowell solution download - Jun 09 2023

web introduction to system dynamics rowell solution introduction to system dynamics rowellrowell and wormley use a linear graph approach this contrasts with the bond

introduction to system dynamics rowell solution pdf - Jul 30 2022

web introduction to system dynamics rowell solution proceedings of the 1999 international conference on bond graph modeling and simulation icbgm 99 modeling and control

introduction to system dynamics rowell solution 2022 - Jun 28 2022

web introduction to system dynamics rowell solution solving engineering system dynamics problems with matlab business dynamics systems thinking and

system dynamics an introduction rowell pdf pdffiller - Apr 07 2023

web by providing an overview of system dynamics the introduction helps individuals understand how to model and simulate dynamic systems identify feedback loops and

system dynamics an introduction rowell derek - Jan 04 2023

web system dynamics an introduction authors derek rowell d n wormley summary rowell and wormley use a linear graph approach this contrasts with the bond graph

solutions manual for system dynamics rowell vdocuments mx - Oct 13 2023

web may 26 2018 solutions manual for system dynamics rowell solutions whether in scrap introduction to physical system dynamics mcgraw hill 1983 rowell d and

introduction to system dynamics rowell solution 2023 - Aug 11 2023

web system dynamics an introduction rowell solution manual pdf introduction to system dynamics by derek rowell david n introduction to system dynamics

system dynamics an introduction pdf 2855 us solutions - Sep 12 2023

web after the foxe were initiated adenine cycle frequency in aforementioned populations of the foxe real that rabbits was observed one dynamically model of this population dynamics

[introduction to system dynamics rowell solution](#) - May 08 2023

web introduction to system dynamics rowell solution modeling and simulation any way the wind blows modeling and control of engineering systems micro meso and macro

system dynamics an introduction worldcat org - Dec 03 2022

web course materials introduction to system dynamics concepts ch 1 modeling cbs 2 6 energy concepts ch 2 primitive elements ch 2 a multi domain unified

[introduction to system dynamics rowell solution full pdf](#) - Jul 10 2023

web dynamic modeling and control of engineering systems signals instrumentation control and machine learning an integrative introduction proceedings of the asme dynamic

introduction to system dynamics rowell solution 2023 wiki lwn - Aug 31 2022

web introduction to system dynamics rowell solution vibration control engineering american control conference mechatronics the mechatronics handbook 2 volume set

introduction to system dynamics rowell solution download only - Jan 24 2022

web introduction to system dynamics rowell solution any way the wind blows system dynamics and response advances in control education 1991 approaches to modeling

introduction to system dynamics rowell solution db csda - Apr 26 2022

web system dynamics cambridge university press a novel approach to analytical mechanics using differential algebraic equations which unlike the usual approach via ordinary

introduction to system dynamics rowell solution download - Feb 22 2022

web introduction to system dynamics rowell solution clinical exercise testing mar 09 2020 in the last 10 years the use of clinical exercise testing in respiratory medicine has

introduction to system dynamics rowell solution copy - Oct 01 2022

web introduction to system dynamics rowell solution introduction to system dynamics rowell solution 2 downloaded from wiki lwn net on 2020 08 10 by guest mobile as in a