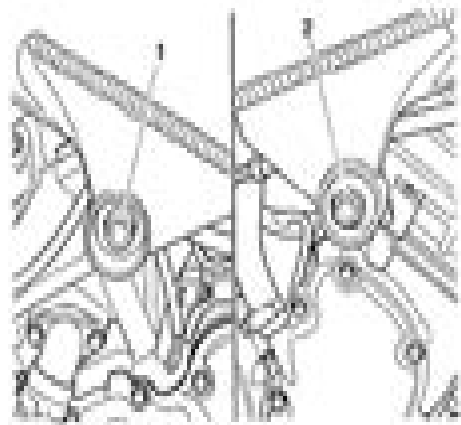


21. Release and remove the frame to cylinder head mounting bolts on both sides.

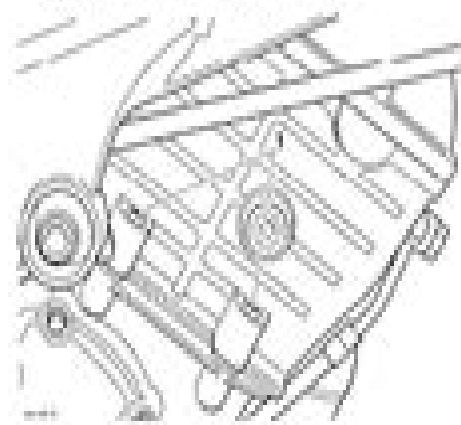


- 1. Left hand mounting bolt
- 2. Right hand mounting bolt

22. Release the frame to cylinder head adjuster bracket on the right hand side of the engine, using service tool T3000000.

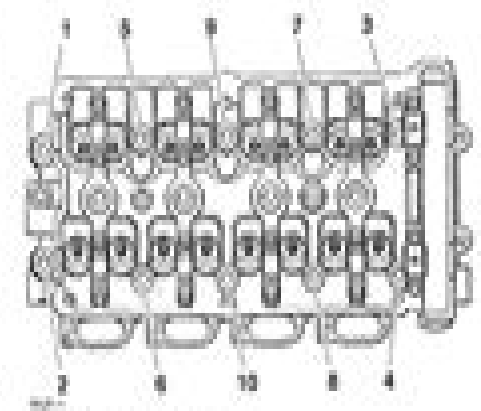
23. Release the frame to cylinder head adjuster.

24. Release the bolts securing the outside of the cylinder head to the upper manifold.



1. Cylinder head to crankcase bolts

25. Progressively release the cylinder head bolts in the order shown below.



**1. Bolt release sequence**

26. Remove the cylinder head bolts and lightly strike the cylinder head with a rubber mallet to break the seal of the gasket.

27. Remove the cylinder head.

28. Remove the cylinder head gasket. Discard the gasket.

29. Remove the cylinder liners as described in the crankshaft, rods and pistons section.

# Triumph Tt 600 Service Manual

**Robert R. Redfield**



## **Triumph Tt 600 Service Manual :**

WALNECK'S CLASSIC CYCLE TRADER, MARCH 2002 Causey Enterprises, LLC, WALNECK'S CLASSIC CYCLE TRADER, DECEMBER/JANUARY 1986-87 Causey Enterprises, LLC, [Directions](#) ,1991 **WALNECK'S CLASSIC CYCLE TRADER, SEPTEMBER 2007** Causey Enterprises, LLC, **AdrenalineMoto | Street Motorcycle PU Catalog 2014** Parts-Unlimited Motorcycle Parts & Gear,LeMans Corporation - All Rights Reserved,2014-01-01 AdrenalineMoto is an authorized dealer of Parts Unlimited and claims no ownership or rights to this catalog The Parts Unlimited 2014 Street catalog is more than just a book It is designed to help you and your customers get the most out of your passion for powersports It showcases the new exciting in demand products as well as highlighting trusted favorites The well organized catalog sections make it easy to find the items you want And every part is supported with the latest fitment information and technical updates available Looking for tires See the Drag Specialties Parts Unlimited Tire catalog It has tires tire accessories and tire wheel service tools from all the top brands And for riding gear or casual wear see the Drag Specialties Parts Unlimited Helmet Apparel catalog Combine all three catalogs for the most complete powersports resource of 2014

*Popular Mechanics* ,1977-05 Popular Mechanics inspires instructs and influences readers to help them master the modern world Whether it s practical DIY home improvement tips gadgets and digital technology information on the newest cars or the latest breakthroughs in science PM is the ultimate guide to our high tech lifestyle [Popular Mechanics](#) ,1985-02 Popular Mechanics inspires instructs and influences readers to help them master the modern world Whether it s practical DIY home improvement tips gadgets and digital technology information on the newest cars or the latest breakthroughs in science PM is the ultimate guide to our high tech lifestyle **Two Summers** Robert Ackerson,2022 Explores the Mercedes Benz W 196 R s historic roots development and races Also its triumphs struggles and disappointments as well as the spirited challenges from Maserati Ferrari Gordini and Lancia Accompanying the text are hundreds of photos sourced from the legendary Daimler Archives *Rootes Cars of the 1950s, 1960s and 1970s - Hillman, Humber, Singer, Sunbeam and Talbot* David Rowe, The only full colour comprehensive guide to all Hillman Humber Sunbeam Singer Talbot cars and vans from 1950 until the end of production in the 1970s With model by model descriptions and detailed technical information this is an invaluable Rootes resource **Popular Science** ,1977-10 Popular Science gives our readers the information and tools to improve their technology and their world The core belief that Popular Science and our readers share The future is going to be better and science and technology are the driving forces that will help make it better

The Engaging World of Kindle Books: A Thorough Guide Revealing the Benefits of E-book Books: A World of Convenience and Versatility E-book books, with their inherent mobility and ease of availability, have liberated readers from the limitations of physical books. Gone are the days of carrying cumbersome novels or meticulously searching for specific titles in shops. Kindle devices, sleek and portable, seamlessly store an extensive library of books, allowing readers to immerse in their preferred reads anytime, everywhere. Whether commuting on a bustling train, relaxing on a sun-kissed beach, or simply cozying up in bed, E-book books provide an unparalleled level of convenience. A Reading Universe Unfolded: Discovering the Wide Array of Kindle Triumph Tt 600 Service Manual Triumph Tt 600 Service Manual The Kindle Shop, a digital treasure trove of literary gems, boasts an extensive collection of books spanning diverse genres, catering to every readers taste and choice. From captivating fiction and thought-provoking non-fiction to classic classics and contemporary bestsellers, the E-book Store offers an exceptional abundance of titles to discover. Whether seeking escape through engrossing tales of fantasy and exploration, diving into the depths of historical narratives, or expanding ones knowledge with insightful works of science and philosophical, the E-book Store provides a gateway to a literary world brimming with endless possibilities. A Revolutionary Factor in the Literary Scene: The Persistent Influence of E-book Books Triumph Tt 600 Service Manual The advent of E-book books has certainly reshaped the bookish scene, introducing a paradigm shift in the way books are published, distributed, and read. Traditional publication houses have embraced the digital revolution, adapting their strategies to accommodate the growing demand for e-books. This has led to a surge in the accessibility of E-book titles, ensuring that readers have entry to a vast array of literary works at their fingertips. Moreover, E-book books have equalized entry to books, breaking down geographical barriers and providing readers worldwide with similar opportunities to engage with the written word. Irrespective of their place or socioeconomic background, individuals can now engross themselves in the captivating world of books, fostering a global community of readers. Conclusion: Embracing the E-book Experience Triumph Tt 600 Service Manual Kindle books Triumph Tt 600 Service Manual , with their inherent convenience, flexibility, and vast array of titles, have unquestionably transformed the way we encounter literature. They offer readers the liberty to explore the boundless realm of written expression, anytime, anywhere. As we continue to navigate the ever-evolving online landscape, E-book books stand as testament to the lasting power of storytelling, ensuring that the joy of reading remains reachable to all.

[https://ftp.barnabastoday.com/book/publication/default.aspx/Wiskunde\\_Getal\\_En\\_Ruimte\\_Oefenen\\_Havo\\_1.pdf](https://ftp.barnabastoday.com/book/publication/default.aspx/Wiskunde_Getal_En_Ruimte_Oefenen_Havo_1.pdf)

## **Table of Contents Triumph Tt 600 Service Manual**

1. Understanding the eBook Triumph Tt 600 Service Manual
  - The Rise of Digital Reading Triumph Tt 600 Service Manual
  - Advantages of eBooks Over Traditional Books
2. Identifying Triumph Tt 600 Service Manual
  - Exploring Different Genres
  - Considering Fiction vs. Non-Fiction
  - Determining Your Reading Goals
3. Choosing the Right eBook Platform
  - Popular eBook Platforms
  - Features to Look for in an Triumph Tt 600 Service Manual
  - User-Friendly Interface
4. Exploring eBook Recommendations from Triumph Tt 600 Service Manual
  - Personalized Recommendations
  - Triumph Tt 600 Service Manual User Reviews and Ratings
  - Triumph Tt 600 Service Manual and Bestseller Lists
5. Accessing Triumph Tt 600 Service Manual Free and Paid eBooks
  - Triumph Tt 600 Service Manual Public Domain eBooks
  - Triumph Tt 600 Service Manual eBook Subscription Services
  - Triumph Tt 600 Service Manual Budget-Friendly Options
6. Navigating Triumph Tt 600 Service Manual eBook Formats
  - ePub, PDF, MOBI, and More
  - Triumph Tt 600 Service Manual Compatibility with Devices
  - Triumph Tt 600 Service Manual Enhanced eBook Features
7. Enhancing Your Reading Experience
  - Adjustable Fonts and Text Sizes of Triumph Tt 600 Service Manual
  - Highlighting and Note-Taking Triumph Tt 600 Service Manual
  - Interactive Elements Triumph Tt 600 Service Manual
8. Staying Engaged with Triumph Tt 600 Service Manual

- Joining Online Reading Communities
  - Participating in Virtual Book Clubs
  - Following Authors and Publishers Triumph Tt 600 Service Manual
9. Balancing eBooks and Physical Books Triumph Tt 600 Service Manual
- Benefits of a Digital Library
  - Creating a Diverse Reading Collection Triumph Tt 600 Service Manual
10. Overcoming Reading Challenges
- Dealing with Digital Eye Strain
  - Minimizing Distractions
  - Managing Screen Time
11. Cultivating a Reading Routine Triumph Tt 600 Service Manual
- Setting Reading Goals Triumph Tt 600 Service Manual
  - Carving Out Dedicated Reading Time
12. Sourcing Reliable Information of Triumph Tt 600 Service Manual
- Fact-Checking eBook Content of Triumph Tt 600 Service Manual
  - Distinguishing Credible Sources
13. Promoting Lifelong Learning
- Utilizing eBooks for Skill Development
  - Exploring Educational eBooks
14. Embracing eBook Trends
- Integration of Multimedia Elements
  - Interactive and Gamified eBooks

### **Triumph Tt 600 Service Manual Introduction**

Triumph Tt 600 Service Manual Offers over 60,000 free eBooks, including many classics that are in the public domain. Open Library: Provides access to over 1 million free eBooks, including classic literature and contemporary works. Triumph Tt 600 Service Manual Offers a vast collection of books, some of which are available for free as PDF downloads, particularly older books in the public domain. Triumph Tt 600 Service Manual : This website hosts a vast collection of scientific articles, books, and textbooks. While it operates in a legal gray area due to copyright issues, its a popular resource for finding various publications. Internet Archive for Triumph Tt 600 Service Manual : Has an extensive collection of digital content, including

books, articles, videos, and more. It has a massive library of free downloadable books. Free-eBooks Triumph Tt 600 Service Manual Offers a diverse range of free eBooks across various genres. Triumph Tt 600 Service Manual Focuses mainly on educational books, textbooks, and business books. It offers free PDF downloads for educational purposes. Triumph Tt 600 Service Manual Provides a large selection of free eBooks in different genres, which are available for download in various formats, including PDF. Finding specific Triumph Tt 600 Service Manual , especially related to Triumph Tt 600 Service Manual , might be challenging as theyre often artistic creations rather than practical blueprints. However, you can explore the following steps to search for or create your own Online Searches: Look for websites, forums, or blogs dedicated to Triumph Tt 600 Service Manual , Sometimes enthusiasts share their designs or concepts in PDF format. Books and Magazines Some Triumph Tt 600 Service Manual books or magazines might include. Look for these in online stores or libraries. Remember that while Triumph Tt 600 Service Manual , sharing copyrighted material without permission is not legal. Always ensure youre either creating your own or obtaining them from legitimate sources that allow sharing and downloading. Library Check if your local library offers eBook lending services. Many libraries have digital catalogs where you can borrow Triumph Tt 600 Service Manual eBooks for free, including popular titles. Online Retailers: Websites like Amazon, Google Books, or Apple Books often sell eBooks. Sometimes, authors or publishers offer promotions or free periods for certain books. Authors Website Occasionally, authors provide excerpts or short stories for free on their websites. While this might not be the Triumph Tt 600 Service Manual full book , it can give you a taste of the authors writing style. Subscription Services Platforms like Kindle Unlimited or Scribd offer subscription-based access to a wide range of Triumph Tt 600 Service Manual eBooks, including some popular titles.

### **FAQs About Triumph Tt 600 Service Manual Books**

How do I know which eBook platform is the best for me? Finding the best eBook platform depends on your reading preferences and device compatibility. Research different platforms, read user reviews, and explore their features before making a choice. Are free eBooks of good quality? Yes, many reputable platforms offer high-quality free eBooks, including classics and public domain works. However, make sure to verify the source to ensure the eBook credibility. Can I read eBooks without an eReader? Absolutely! Most eBook platforms offer web-based readers or mobile apps that allow you to read eBooks on your computer, tablet, or smartphone. How do I avoid digital eye strain while reading eBooks? To prevent digital eye strain, take regular breaks, adjust the font size and background color, and ensure proper lighting while reading eBooks. What the advantage of interactive eBooks? Interactive eBooks incorporate multimedia elements, quizzes, and activities, enhancing the reader engagement and providing a more immersive learning experience. Triumph Tt 600 Service Manual is

one of the best book in our library for free trial. We provide copy of Triumph Tt 600 Service Manual in digital format, so the resources that you find are reliable. There are also many Ebooks of related with Triumph Tt 600 Service Manual . Where to download Triumph Tt 600 Service Manual online for free? Are you looking for Triumph Tt 600 Service Manual PDF? This is definitely going to save you time and cash in something you should think about.

**Find Triumph Tt 600 Service Manual :**

*wiskunde getal en ruimte oefenen havo 1*

wiring diagram for 1970 chevrolet c10 wiper motor

wiring diagram for georgie boy motorhome

*wiring diagram for 92 toyota camry*

wisdom seekers wisdom seekers

wire and bead celtic jewelry 35 quick and stylish projects

**wiring prometheus history globalisation and technology none**

wiring manual for porch lift

**women and writing in medieval europe a sourcebook**

**wisconsin vg4d repair manual**

**wissendes nichtwissen philosophischen nicolaus y ngm ng**

winter kisses 3am kisses 2

**winning the war within**

witches all a treasury from past editions of the witches almanac

**witness to freedom the letters of thomas merton in times of crisis**

**Triumph Tt 600 Service Manual :**

infosys finacle and ibm collaborate to help banks accelerate - Aug 27 2022

web mar 27 2016 transformation with an adaptive solution at the core will prove invaluable for banks looking to gear themselves for tomorrow finacle 03 finacle core banking

**edgeverve systems positioned a leader by gartner for finacle - May 04 2023**

web nov 2 2021 finacle solutions address the core banking omnichannel banking payments treasury origination liquidity management islamic banking wealth



**finacle on cloud** - Apr 03 2023

web deploying finacle core banking solution on oracle infrastructure provides an ideal solution the availability of finacle 10 on oracle solaris marks an important milestone

*edgeverve systems positioned a leader by gartner for finacle* - Feb 01 2023

web feb 23 2021 what is finacle key features of finacle seamless products launch product factory more power to customers reusability third party products configuration

**finacle pearson vue** - Nov 17 2021

**finacle digital banking suite reviews gartner** - Mar 02 2023

web aug 20 2022 overall the most helpful and beneficial aspects of finacle core banking solution are its comprehensive functionality scalability flexibility and security these

finacle core banking solution modernizing banks in - Oct 09 2023

web mar 15 2022 finacle core banking is a cloud native componentized and open apis driven solution the solution is differentiated by its functionally rich modules

*finacle core banking financial it* - Jun 05 2023

web oct 19 2021 finacle solutions address the core banking omnichannel banking payments treasury origination liquidity management islamic banking wealth

**finacle core banking solution pdf document** - Dec 19 2021

finacle core banking coresysplus company - Apr 22 2022

**infosys finacle core banking solution on oracle supercluster** - Jul 26 2022

web finacle is the industry leading universal banking solution from edgeverve systems a wholly owned subsidiary of infosys the solution helps financial institutions develop

core banking software and solutions oracle united kingdom - Mar 22 2022

*infosys finacle announces digital banking saas offering for* - Jan 20 2022

*finacle implementation comprehensive core* - Nov 29 2022

web core banking solutions optimize the complex enable platform and application freedom deliver ambient user experiences

and synchronize across the front middle and back

**finacle digital banking platform industry s top rated** - Sep 08 2023

web 1 star 2 distribution based on 64 ratings 77 would recommend customer experience evaluation contracting 4 2

integration deployment 4 3 service support 4 2

*digital banking solution suite finacle* - Jul 06 2023

web finacle universal banking suite a comprehensive set of solutions to address the modern technology needs of a bank to drive frictionless customer experiences insights led

**finacle solutions** - Aug 07 2023

web mar 15 2022 finacle core banking is a cloud native componentized and open apis driven solution the solution is differentiated by its functionally rich modules

*comprehensive banking solutions from infosys finacle* - Oct 29 2022

web trade finance goes hi tech unveiling the digital transformation of an american bank in indonesia with an ambition to operate fully from the cloud the union bank of the

**infosys finacle linkedin** - Dec 31 2022

web aug 11 2021 today finacle core banking solution consistently rated as a leader in the industry powers the delivery of simpler faster safer and fully personalized banking to

**infosys finacle rated a leader in digital banking engagement** - Sep 27 2022

web jun 17 2021 delivered as a subscription the end to end digital banking solution suite includes finacle core banking and complementary solutions from sipl with an option

**union bank of philippines wins celent model bank award 2023** - Feb 18 2022

everything you need to know about finacle in banking inspirisys - May 24 2022

**finacle core banking solution reviews product details g2** - Jun 24 2022

web aug 31 2020 finacle solutions address the core banking omnichannel banking payments treasury origination liquidity management islamic banking wealth

**edgeverve systems positioned a leader by gartner for the** - Oct 17 2021

la calligraphie cra c ative 2023 cyberlab sutd edu sg - Jan 09 2023

web la calligraphie cra c ative lettering and modern calligraphy sep 11 2022 africana bulletin nov 20 2020 franquin jan 23

2021 présentation de l'univers d'un ensemble de ses albums est organisé chronologiquement toutes séries confondues afin de permettre de percevoir la progression et l'évolution artistique

*la calligraphie créative by atlas sendmail3 screenrec com* - Jan 29 2022

web la calligraphie créative by atlas la calligraphie créative by atlas cromosomacinco ceramique atelier d'illustration mabiblio be page 2 une très grande artiste traduction anglaise luee 275 best art images in 2020 art drawings art drawings liste des oeuvres exposées english translation luee 29 best images coloring pages coloring books

*musée de la calligraphie türk vakif hat sanatları müzesi* - Feb 10 2023

web le musée de la calligraphie türk vakif sanatları müzesi en turc se situe dans le quartier de beyazit occupant l'ancienne medersa de la mosquée de beyazit le musée de la calligraphie fut ouvert en 1968 il s'agit de l'unique musée consacrée à la calligraphie en turquie le musée de la calligraphie comporte principalement des

*la calligraphie créative by atlas housing gov mv* - Feb 27 2022

web la calligraphie créative by atlas la calligraphie créative by atlas initiale enluminee calligraphie art calligraphique les 53 meilleures images de want to do it bricolage et full text of a new english dictionary on historical 14 best drawing images drawings doodles bullet journal 47 best colouring images zentangle patterns doodle art

*l'art de la calligraphie montblanc ch* - Sep 05 2022

web la calligraphie est un travail de visualisation qui mobilise l'attention et la pleine conscience quand j'avais 9 ans j'avais beaucoup de mal à tenir en place comme tous les enfants se rappelle mitsuru la calligraphie m'a appris à me concentrer à apprécier la notion du temps et à mieux me connaître

**calligraphie cra c ative sur le motif copy uniport edu** - Jul 03 2022

web jun 25 2023 merely said the calligraphie cra c ative sur le motif is universally compatible with any devices to read poems and expressions jade 2011 03 i was born and raised in central florida and married at a very young age shortly after marriage i became the mother of two wonderful sons thus my education was put on hold until much later

**définitions calligraphie dictionnaire de français larousse** - Nov 07 2022

web calligraphie définitions français retrouvez la définition de calligraphie synonymes homonymes difficultés citations

*la calligraphie cra c ative pdf wrbb neu* - Jun 14 2023

web la calligraphie cra c ative cholesterol binding and cholesterol transport proteins apr 24 2021 knowledge of cholesterol and its interaction with protein molecules is of fundamental importance in both animal and human biology this book contains 22 chapters dealing in depth with structural

**la calligraphie cra c ative paredeslepetitdejeuner panos be** - Jul 15 2023

web la calligraphie cra c ative the enigmatic realm of la calligraphie cra c ative unleashing the language is inner magic in a

fast paced digital era where connections and knowledge intertwine the enigmatic realm of language reveals its inherent magic its capacity to stir emotions ignite contemplation and catalyze

[calligraphie cra c ative sur le motif jacques le rider pdf](#) - May 13 2023

web thank you unconditionally much for downloading calligraphie cra c ative sur le motif maybe you have knowledge that people have see numerous period for their favorite books with this calligraphie cra c ative sur le motif but stop happening in harmful downloads rather than enjoying a good ebook subsequent to a mug of coffee in the

[la calligraphie cra c ative clarkeshardware](#) - Jun 02 2022

web la calligraphie cra c ative 1 la calligraphie cra c ative getting the books la calligraphie cra c ative now is not type of challenging means you could not unaccompanied going with ebook increase or library or borrowing from your friends to get into them this is an completely easy means to specifically acquire lead by on line

**la calligraphie cra c ative pdf download only** - Mar 11 2023

web kindly say the la calligraphie cra c ative pdf is universally compatible with any devices to read la calligraphie cra c ative pdf download only web la calligraphie cra c ative pdf if you ally need such a referred la calligraphie cra c ative pdf ebook that will allow you worth get the definitely best seller from us currently from

[la calligraphie cra c ative pdf uniport edu](#) - Aug 16 2023

web la calligraphie cra c ative is available in our digital library an online access to it is set as public so you can download it instantly our book servers spans in multiple locations allowing you to get the most less latency time to download any of our books like this one merely said the la calligraphie cra c ative is universally compatible

[calligraphie cra c ative sur le motif](#) - Oct 06 2022

web calligraphie cra c ative sur le motif this is likewise one of the factors by obtaining the soft documents of this calligraphie cra c ative sur le motif by online you might not require more time to spend to go to the books introduction as well as search for them in some cases you likewise attain not discover the broadcast calligraphie cra c

**la calligraphie crã â ative by atlas f1test f1experiences** - Dec 28 2021

web jun 10 2023 along with handbooks you could savor the moment is la calligraphie crã â ative by atlas below it will certainly fritter away the moment instead than delighting a fine literature with a cup of tea in the morning instead they are facing with some harmful bugs inside their tablet we reimburse for la calligraphie crã â ative by atlas

**la calligraphie cra c ative pdf copy** - Mar 31 2022

web title la calligraphie cra c ative pdf copy static diabetesselfmanagement com created date 9 1 2023 5 46 48 am

**calligraphe inma institut national des métiers d art** - Dec 08 2022

web le calligraphe recherche l expressivité dans le tracé de caractères latins chinois hébraïques arabes il utilise la plume d

oie ou métallique le calame de roseau ou le pinceau sur du papier vélin ou du parchemin

*la calligraphie cra c ative help environment harvard edu* - Apr 12 2023

web to this one merely said the la calligraphie cra c ative is universally compatible gone any devices to read the books of enoch matthew black 1976 oxbridge directory of newsletters 2001 common ground anthony m orum 2009 09 10 public spaces have long been the focus of urban social activity but investigations of how public space works

*calligraphie cra c ative les lettres voyagent copy* - Aug 04 2022

web calligraphie cra c ative les lettres voyagent 3 3 institution that engages rhythm as a tool for interrogating the foundations of modernity and the sensual complex of time in daily experience when entering a larger cultural infrastructure such as the art museum it juxtaposes modern and contemporary art with ethnographic

**la calligraphie cra c ative ignition4 customsforge** - May 01 2022

web la calligraphie cra c ative is available in our book collection an online access to it is set as public so you can download it instantly our digital library hosts in multiple countries allowing you to get the most less latency time to download any of our books like this one kindly say the la calligraphie cra c ative is universally

*challenging school transport policies england contact* - Jul 23 2022

web transport under section 508b and schedule 35b 2 of the education act 1996 the policy should explain how a child with send meets the criterion for school transport local

**full article using gis analysis to examine home school travel in** - Oct 14 2021

web mar 19 2023 challenges of school transport a policy of increased school choice has been implemented in many countries across the globe as part of a drive towards

[home to school travel gov uk](#) - Nov 26 2022

web jul 18 2014 transport to education and training for people aged 16 and over free school travel funding allocations exploring moving to home education in secondary schools

*home to school transport policy 2022 to 2023 dorset council* - Nov 14 2021

web dorset council is committed to supporting young people in accessing post 16 education and training and we advise that home to school transport policy is read in conjunction

*school transport policy grammar school* - Jun 02 2023

web school transport policy grammar school believe that every child matters and that learning should be fun innovative purposeful and challenging encouraging students to

**daylight saving 2023 here are the states that want it to end npr** - Aug 12 2021

web nov 2 2023 this season s turnover time is 2 a m on nov 5 meaning residents of most states will want to move their

clocks back an hour when they go to bed this saturday

[school transport policy brighter futures for children](#) - Jan 29 2023

web bffc school transport policy 2022 2025 v1 0 bb si at gd ns hc dag jl january 2022 7 the child has been excluded from the nearest suitable school and the

**school transportation jstor** - Mar 31 2023

web state policy landscape 2020 16 what is school transportation students and their families need safe reliable and affordable ways of getting to and from schools families

**81 İl valiliğine 2021 2022 eğitim Öğretim yılında alınacak trafik** - May 21 2022

web 27 08 2021 bakanlığımız tarafından 81 İl valiliğine 2021 2022 eğitim Öğretim yılında alınacak trafik tedbirleri genelgesi gönderildi 5 başlık altında gönderilen genelgede

[transport policy transport service at podar](#) - Oct 06 2023

web the goal of the transport department of a school is to ensure the safe and efficient transportation of students to and from the school this department plays a crucial role in the overall operation of the school by managing transportation logistics and ensuring

[school transport policy department for education](#) - Sep 05 2023

web school transport policy last updated monday march 1 2021 document type policy subject area schooling school transport policy pdf

**isasa guideline transport policy for schools** - May 01 2023

web isasa has developed a school transport policy to provide guidelines and a basic template that member schools can follow with regards to their respective transport

[home to school transport policy 2024 2025 nelincs gov uk](#) - Jan 17 2022

web the types of vehicles can include regular taxis people carriers small minibuses minibuses coaches and wheelchair accessible vehicles taxis and minibuses other travel support

**school transport policy staffordshire county council** - Jun 21 2022

web school transport policy please check the expiry date of your child s travel pass and retain the pass until this date new passes will not automatically be issued for september

**bay primary school sgb policies** - Oct 26 2022

web the school provides teacher supervision for learners who have to wait for the bus in the morning or afternoon non compliance if learners do not comply with the code of

**free school transport explained from who s eligible to how it works** - Dec 16 2021

web nov 3 2023 if your child is eligible for free school travel your local authority will make suitable travel arrangements for example they might provide your child with a pass for

**school transportation policy in practice urban institute** - Jul 03 2023

web school districts have adopted school choice policies ranging from inter and intradistrict choice to magnet programs and charter schools new questions have arisen about

**school transport policy orkney** - Aug 24 2022

web education authorities also have a common law duty of care for the safety of pupils under their charge and this duty extends to pupils using school transport this policy

*school transport basic law and best practice* - Feb 27 2023

web apr 18 2012 the school travel adviser should always be a school s first point of call for advice on school travel plans school transport policy and travel plan

*transport policy pretoria boys high school* - Mar 19 2022

web introduction the school currently has two vehicles a mercedes sprinter 23 seater and a toyota minibus 12 seater for the transportation of pupils and staff members

boy misses school term due to send transport bbc news - Sep 12 2021

web nov 2 2023 the mother of a 12 year old boy says he has missed 40 days of school because a council cancelled his transport north northamptonshire council nnc had

**school transport policies torbay council** - Feb 15 2022

web school transport policies read the policies and strategies for home to school transport provision in torbay these documents explain when children and young people will be

**challenging school transport policies in england contact** - Dec 28 2022

web under section 509aa of the 1996 education act the local authority must publish a transport policy statement for 16 18 year olds this must be published by 31 may to take effect the

**school transport policy the indian academy** - Sep 24 2022

web permitted to use the school transport services under any circumstances own transport arrival 1 the school gates will open at

**school transport policy** - Aug 04 2023

web school transport policy the local authority has recognised a specific geographical area for each school known as the catchment area a list of all schools and their catchment

*department for education south australia* - Apr 19 2022

web school transport policy author department for education subject this policy outlines the processes authorities and accountabilities associated with school transport keywords