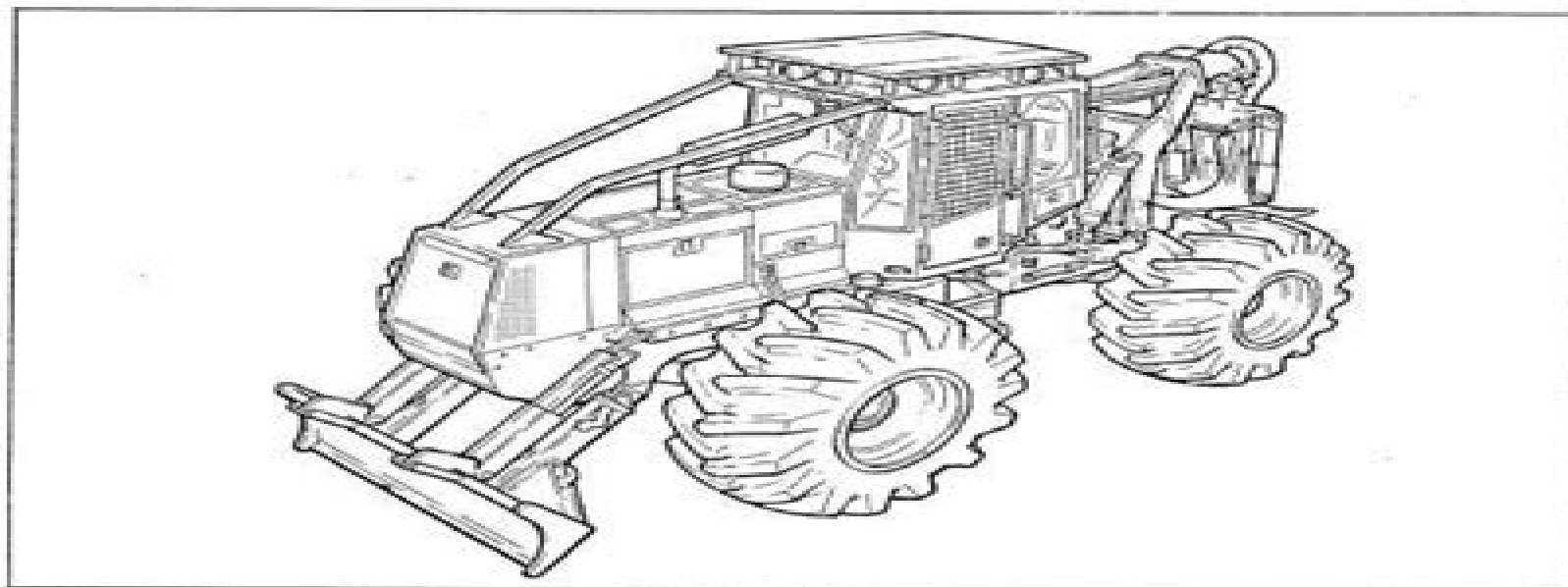


# Service Manual



## **360 and 460 Series Skidders**

Timberjack Inc.  
P.O. Box 160  
825 Devonshire Avenue  
Woodstock, Ontario, Canada  
N4S 7X1

Telephone: 519-537-6271  
Service Dept. Fax: 519-537-2664  
Parts Dept. Fax: 404-629-9911

**Timberjack**

# Timberjack 460 E Service Manual

**Rosina Ehmann**



**Timberjack 460 E Service Manual:**

**Northeastern Logger** ,2001    **The Northern Logger and Timber Processor** ,2006    **Timber Bulletin** ,1981  
*The Southern Lumberman* ,1983    **Wisconsin Wood Marketing Bulletin** ,2001    **Farmers and Consumers**  
**Market Bulletin** ,2009    **Union Agriculturist and Western Prairie Farmer** ,1977    **Long 360-460-510 Series**  
**Tractors** ,1983    *International Harvester Shop Manual Series 460 560 606 660 & 2606* Penton Staff,2000-05-24 Gasoline  
Models 460 560 606 660 2606 Diesel Models 460 560 606 660 2606    **Service Manual for Torque Converter and**  
**Transmission** Allis-Chalmers Manufacturing Company,196?

When people should go to the ebook stores, search opening by shop, shelf by shelf, it is in fact problematic. This is why we provide the book compilations in this website. It will categorically ease you to look guide **Timberjack 460 E Service Manual** as you such as.

By searching the title, publisher, or authors of guide you in point of fact want, you can discover them rapidly. In the house, workplace, or perhaps in your method can be every best area within net connections. If you target to download and install the Timberjack 460 E Service Manual, it is enormously easy then, previously currently we extend the associate to buy and create bargains to download and install Timberjack 460 E Service Manual as a result simple!

[https://ftp.barnabastoday.com/results/scholarship/Download\\_PDFS/Verslag\\_Van\\_Het\\_Wortelrot\\_Onderzoek.pdf](https://ftp.barnabastoday.com/results/scholarship/Download_PDFS/Verslag_Van_Het_Wortelrot_Onderzoek.pdf)

## **Table of Contents Timberjack 460 E Service Manual**

1. Understanding the eBook Timberjack 460 E Service Manual
  - The Rise of Digital Reading Timberjack 460 E Service Manual
  - Advantages of eBooks Over Traditional Books
2. Identifying Timberjack 460 E Service Manual
  - Exploring Different Genres
  - Considering Fiction vs. Non-Fiction
  - Determining Your Reading Goals
3. Choosing the Right eBook Platform
  - Popular eBook Platforms
  - Features to Look for in an Timberjack 460 E Service Manual
  - User-Friendly Interface
4. Exploring eBook Recommendations from Timberjack 460 E Service Manual
  - Personalized Recommendations
  - Timberjack 460 E Service Manual User Reviews and Ratings
  - Timberjack 460 E Service Manual and Bestseller Lists

5. Accessing Timberjack 460 E Service Manual Free and Paid eBooks
  - Timberjack 460 E Service Manual Public Domain eBooks
  - Timberjack 460 E Service Manual eBook Subscription Services
  - Timberjack 460 E Service Manual Budget-Friendly Options
6. Navigating Timberjack 460 E Service Manual eBook Formats
  - ePub, PDF, MOBI, and More
  - Timberjack 460 E Service Manual Compatibility with Devices
  - Timberjack 460 E Service Manual Enhanced eBook Features
7. Enhancing Your Reading Experience
  - Adjustable Fonts and Text Sizes of Timberjack 460 E Service Manual
  - Highlighting and Note-Taking Timberjack 460 E Service Manual
  - Interactive Elements Timberjack 460 E Service Manual
8. Staying Engaged with Timberjack 460 E Service Manual
  - Joining Online Reading Communities
  - Participating in Virtual Book Clubs
  - Following Authors and Publishers Timberjack 460 E Service Manual
9. Balancing eBooks and Physical Books Timberjack 460 E Service Manual
  - Benefits of a Digital Library
  - Creating a Diverse Reading Collection Timberjack 460 E Service Manual
10. Overcoming Reading Challenges
  - Dealing with Digital Eye Strain
  - Minimizing Distractions
  - Managing Screen Time
11. Cultivating a Reading Routine Timberjack 460 E Service Manual
  - Setting Reading Goals Timberjack 460 E Service Manual
  - Carving Out Dedicated Reading Time
12. Sourcing Reliable Information of Timberjack 460 E Service Manual
  - Fact-Checking eBook Content of Timberjack 460 E Service Manual
  - Distinguishing Credible Sources
13. Promoting Lifelong Learning

- Utilizing eBooks for Skill Development
  - Exploring Educational eBooks
14. Embracing eBook Trends
- Integration of Multimedia Elements
  - Interactive and Gamified eBooks

### **Timberjack 460 E Service Manual Introduction**

In the digital age, access to information has become easier than ever before. The ability to download Timberjack 460 E Service Manual has revolutionized the way we consume written content. Whether you are a student looking for course material, an avid reader searching for your next favorite book, or a professional seeking research papers, the option to download Timberjack 460 E Service Manual has opened up a world of possibilities. Downloading Timberjack 460 E Service Manual provides numerous advantages over physical copies of books and documents. Firstly, it is incredibly convenient. Gone are the days of carrying around heavy textbooks or bulky folders filled with papers. With the click of a button, you can gain immediate access to valuable resources on any device. This convenience allows for efficient studying, researching, and reading on the go. Moreover, the cost-effective nature of downloading Timberjack 460 E Service Manual has democratized knowledge. Traditional books and academic journals can be expensive, making it difficult for individuals with limited financial resources to access information. By offering free PDF downloads, publishers and authors are enabling a wider audience to benefit from their work. This inclusivity promotes equal opportunities for learning and personal growth. There are numerous websites and platforms where individuals can download Timberjack 460 E Service Manual. These websites range from academic databases offering research papers and journals to online libraries with an expansive collection of books from various genres. Many authors and publishers also upload their work to specific websites, granting readers access to their content without any charge. These platforms not only provide access to existing literature but also serve as an excellent platform for undiscovered authors to share their work with the world. However, it is essential to be cautious while downloading Timberjack 460 E Service Manual. Some websites may offer pirated or illegally obtained copies of copyrighted material. Engaging in such activities not only violates copyright laws but also undermines the efforts of authors, publishers, and researchers. To ensure ethical downloading, it is advisable to utilize reputable websites that prioritize the legal distribution of content. When downloading Timberjack 460 E Service Manual, users should also consider the potential security risks associated with online platforms. Malicious actors may exploit vulnerabilities in unprotected websites to distribute malware or steal personal information. To protect themselves, individuals should ensure their devices have reliable antivirus software installed and validate the legitimacy of the websites they are downloading from. In conclusion, the ability

to download Timberjack 460 E Service Manual has transformed the way we access information. With the convenience, cost-effectiveness, and accessibility it offers, free PDF downloads have become a popular choice for students, researchers, and book lovers worldwide. However, it is crucial to engage in ethical downloading practices and prioritize personal security when utilizing online platforms. By doing so, individuals can make the most of the vast array of free PDF resources available and embark on a journey of continuous learning and intellectual growth.

### FAQs About Timberjack 460 E Service Manual Books

1. Where can I buy Timberjack 460 E Service Manual books? Bookstores: Physical bookstores like Barnes & Noble, Waterstones, and independent local stores. Online Retailers: Amazon, Book Depository, and various online bookstores offer a wide range of books in physical and digital formats.
2. What are the different book formats available? Hardcover: Sturdy and durable, usually more expensive. Paperback: Cheaper, lighter, and more portable than hardcovers. E-books: Digital books available for e-readers like Kindle or software like Apple Books, Kindle, and Google Play Books.
3. How do I choose a Timberjack 460 E Service Manual book to read? Genres: Consider the genre you enjoy (fiction, non-fiction, mystery, sci-fi, etc.). Recommendations: Ask friends, join book clubs, or explore online reviews and recommendations. Author: If you like a particular author, you might enjoy more of their work.
4. How do I take care of Timberjack 460 E Service Manual books? Storage: Keep them away from direct sunlight and in a dry environment. Handling: Avoid folding pages, use bookmarks, and handle them with clean hands. Cleaning: Gently dust the covers and pages occasionally.
5. Can I borrow books without buying them? Public Libraries: Local libraries offer a wide range of books for borrowing. Book Swaps: Community book exchanges or online platforms where people exchange books.
6. How can I track my reading progress or manage my book collection? Book Tracking Apps: Goodreads, LibraryThing, and Book Catalogue are popular apps for tracking your reading progress and managing book collections. Spreadsheets: You can create your own spreadsheet to track books read, ratings, and other details.
7. What are Timberjack 460 E Service Manual audiobooks, and where can I find them? Audiobooks: Audio recordings of books, perfect for listening while commuting or multitasking. Platforms: Audible, LibriVox, and Google Play Books offer a wide selection of audiobooks.
8. How do I support authors or the book industry? Buy Books: Purchase books from authors or independent bookstores.

Reviews: Leave reviews on platforms like Goodreads or Amazon. Promotion: Share your favorite books on social media or recommend them to friends.

9. Are there book clubs or reading communities I can join? Local Clubs: Check for local book clubs in libraries or community centers. Online Communities: Platforms like Goodreads have virtual book clubs and discussion groups.
10. Can I read Timberjack 460 E Service Manual books for free? Public Domain Books: Many classic books are available for free as they're in the public domain. Free E-books: Some websites offer free e-books legally, like Project Gutenberg or Open Library.

### **Find Timberjack 460 E Service Manual :**

*verslag van het wortelrot onderzoek*

**version originale gaston vo 1982 1996**

[vier koningskinderen het boek over onze prinsesjes beatrix irene margriet marijke](#)

**very capitalist condition politics disability**

*vicon spreader manual*

**vietnam full color minh city**

**vespa px 125 150 euro 3 repair service manual**

[versatile 835 manuals](#)

**victimology legal psychological and social perspectives 4th edition**

*vident complete denture fabrication manual*

[vickers pvq pumps manual](#)

**ves manual town**

[vier tage ein leben lang](#)

[video manual treffpunkt berlin](#)

[video atlas of cleft lip and palate surgery](#)

### **Timberjack 460 E Service Manual :**

Urban Economics, 7th Edition by Arthur O'Sullivan The new edition continues to cover urban economics as the discipline that lies at the intersection of geography and economics. "Urban Economics" incorporates ... Urban Economics: O'Sullivan, Arthur The Seventh edition of Urban Economics continues to be the market leading textbook due to its thorough content and concise



writing style. Urban Economics, 7th Edition by Arthur O'Sullivan The new edition continues to cover urban economics as the discipline that lies at the intersection of geography and economics. "Urban Economics" incorporates ... Urban Economics, 7th Edition The seventh edition of "Urban Economics" continues to be the market leading textbook due to its thorough content and concise writing style. Urban Economics, 7th Edition by Arthur O'Sullivan McGraw Hill. Seventh Edition. Good. Good. International edition. Ship within 24hrs. Satisfaction 100% guaranteed. APO/FPO addresses supported. ISBN: 9780073375786 - Urban Economics (7th edition) Show Synopsis. The Seventh edition of Urban Economics continues to be the market leading textbook due to its thorough content and concise writing style. Urban Economics 7th Edition by Arthur Osullivan Urban Economics, 7th Edition by Arthur O'Sullivan and a great selection of related books, art and collectibles available now at AbeBooks.com. Urban Economics 7th Edition Arthur O'sullian 2009 Urban Economics, 7th Edition by Arthur O'Sullivan (paperback). Pre-Owned ... Urban Economics, 7th Edition by Arthur O'Sullivan (paperback). \$10.49. +\$9.99 ... Urban Economics, 7th Edition by Arthur O'Sullivan Like the seven previous editions, this edition provides a clear and concise presentation of the economic forces that cause the development of cities, ... Urban Economics | Rent | 9780073375786 Rent Urban Economics 7th edition (978-0073375786) today, or search our site for other textbooks by Arthur O'Sullivan. Every textbook comes with a 21-day ... Introduction to Computing Systems: From Bits and Gates ... Introduction to Computing Systems: From bits & gates to C & beyond, now in its second edition, is designed to give students a better understanding of ... Introduction to Computing Systems: From Bits & Gates to C ... The third edition of Introduction to Computing Systems: From bits & gates to C/C++ and beyond is designed to give students a strong foundation of computing ... Introduction To Computing Systems Page 1. introduction to computing systems yale n. patt sanjay j. patel from bits & gates ... This textbook evolved from EECS 100, the first computing course for ... Introduction to Computing Systems - Mheducation - McGraw Hill The authors feel that this approach encourages deeper understanding and downplays the need for memorizing. Students develop a greater breadth of understanding, ... ece/198jl/hwAndExtras/Yale Patt, Sanjay Patel-Introduction ... Yale Patt, Sanjay Patel-Introduction to Computing Systems\_ From bits and gates to C and beyond-McGraw-Hill (2005).pdf · File metadata and controls · Footer. Introduction to Computing Systems: From Bits & Gates to C ... The book attempts to teach computer programming from the hardware up and is quite ambitious. The age of the text does show but the ideas are quite timeless. Introduction to Computing Systems: From Bits and Gates ... ISBN: 9780070595002 - 2nd Edition - Soft cover - Tata McGraw-Hill - 2017 - Condition: Good - This softcover has some creases and wear. Introduction to Computing Systems: From Bits and Gates to C ... by YN Patt · 2004 · Cited by 174 — To develop their understanding of programming and programming methodology, they use the C programming language. The book takes a "motivated" bottom-up approach, ... Introduction To Computing Systems: From Bits And Gates ... To develop their understanding of programming and programming methodology, they use the C programming language. The book takes a "motivated" bottom-up approach, ... Introduction to Computing

Systems: From Bits and Gates to C ... Recommendations · Introduction to Computing Systems: From Bits & Gates to C & Beyond · The use of optoelectronic integrated circuits in computing systems. Explaining Psychological Statistics, 3rd... by Cohen, Barry H. This comprehensive graduate-level statistics text is aimed at students with a minimal background in the area or those who are wary of the subject matter. Explaining Psychological Statistics 3th (third) edition Explaining Psychological Statistics 3th (third) edition ; Print length. 0 pages ; Language. English ; Publication date. January 1, 2007 ; ASIN, B006QZ9VN0. Explaining psychological statistics, 3rd ed. by BH Cohen · 2008 · Cited by 1434 — Cohen, B. H. (2008). Explaining psychological statistics (3rd ed.). John Wiley & Sons Inc. Abstract. This edition retains the basic organization of the previous ... barry cohen - explaining psychological statistics - AbeBooks Explaining Psychological Statistics · Price: US\$ 5.76 ; Explaining Psychological Statistics, 3rd Edition · Price: US\$ 6.25 ; Explaining Psychological Statistics. Explaining Psychological Statistics - Barry H. Cohen This comprehensive graduate-level statistics text is aimed at students with a minimal background in the area or those who are wary of the subject matter. Explaining Psychological Statistics Cohen 3rd Edition Pdf Explaining Psychological Statistics Cohen 3rd Edition Pdf. INTRODUCTION Explaining Psychological Statistics Cohen 3rd Edition Pdf Full PDF. Explaining Psychological Statistics, 3rd Edition - Hardcover This comprehensive graduate-level statistics text is aimed at students with a minimal background in the area or those who are wary of the subject matter. Explaining Psychological Statistics | Rent | 9780470007181 Rent Explaining Psychological Statistics 3rd edition (978-0470007181) today, or search our site for other textbooks by Barry H. Cohen. EXPLAINING PSYCHOLOGICAL STATISTICS, 3RD ... EXPLAINING PSYCHOLOGICAL STATISTICS, 3RD EDITION By Barry H. Cohen - Hardcover ; Item Number. 186040771674 ; ISBN-10. 0470007184 ; Book Title. Explaining ... Explaining Psychological Statistics, 3rd Edition, Cohen ... Explaining Psychological Statistics, 3rd Edition, Cohen, Barry H., Good Book ; Est. delivery. Wed, Dec 27 - Tue, Jan 2. From New York, New York, United States.