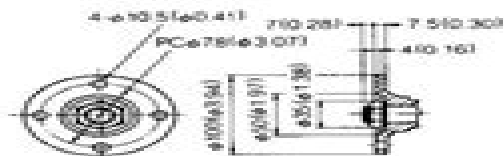
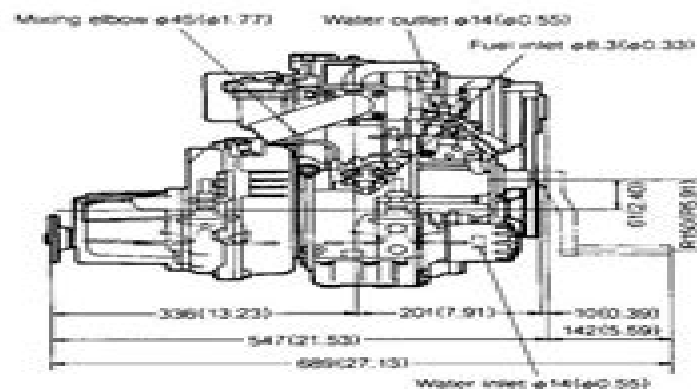
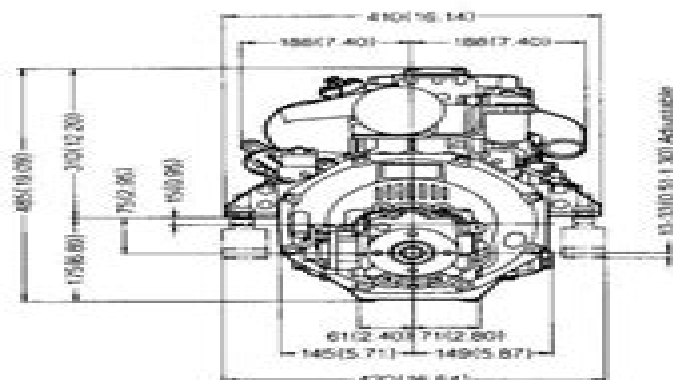
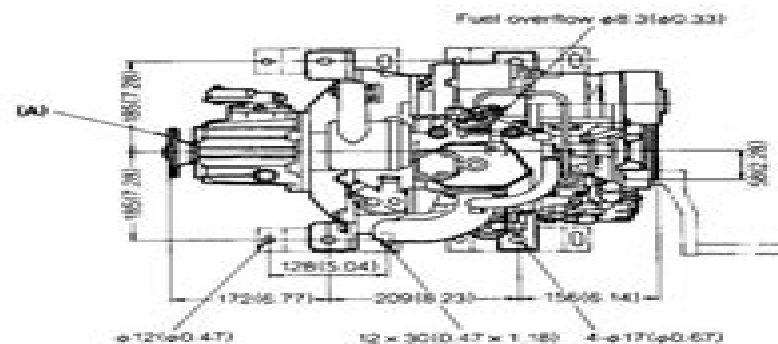


6. Dimensions

6-1 1GM10



Detail of coupling (A)



Yanmar Diesel 2gm20f Manual

N N



Yanmar Diesel 2gm20f Manual:

Yanmar Marine Diesel Engine 1GM10, 2GM20, 3GM30, 3HM35 N N,2012-05 Complete Service Handbook and Workshop Manual for the Yanmar Marine Diesel Engines 1GM10 2GM20 3GM30 and 3HM35 **YANMAR MARINE DIESEL ENGINE 1GM10, 2GM20, 3GM30, 3HM35** Yanmar Marine,2014-03-03 *Programmverzeichnis* Maritimepress,2012-05 Aktuelles Gesamtverzeichnis des Verlagsprogramms Stand Mai 2012 Unter dem Link Leseprobe kann das Gesamtverzeichnis als PDF Datei heruntergeladen werden Yanmar Diesel Engine Model 2 S Yanmar,2013-02 Reprint of the official service manual for Yanmar diesel engine model 2 S **YANMAR MARINE DIESEL ENGINE 2TD, 3TD, 4TD** Yanmar,2013-11-11 YANMAR MARINE DIESEL ENGINE 2TM, 3TM, 4TM Yanmar,2013-11-11 **Yanmar Diesel Inboard Engines 1980-2009** Penton Staff,2000-05-24 1GM 1980 1983 1GM10 1983 2009 2GM 1980 1983 2GMF 1980 1983 2GM20 1983 2005 2GM20F 1983 2005 3GM 1980 1983 3GMF 1980 1983 3GMD 1980 1983 3GM30 1983 2005 3GM30F 1983 2005 3HM 1980 1983 **Yanmar Diesel Engine Model S185(L)** Yanmar Diesel Engine Co., Ltd,1994 **YANMAR MARINE DIESEL ENGINE 4JH2E, 4JH2-TE, 4JH2-HTE, 4JH2-DTE** Yanmar,2013-10-07 *FARYMANN MARINE DIESEL ENGINE* Farymann,2013-11-11 Diesel Engine Manual Perry O. Black,William E. Scahill,1983 **Small Diesel Engine Service Manual** Intertec Publishing Corp,1982 Diesel Engine Maintenance Training Manual Bureau of Ships,2015-01-15 Very complete and comprehensive manual for the service and repair of all large Marine Diesel Engines Reprint of the original book from 1946 **Diesel Engine Repair Manual** Ken Freund,John Harold Haynes,1991 Chest pain can be terrifying Many people panic or hope that if they ignore it it will go away But angina must be taken seriously and in addition to taking medical advice it s important to find out what you can do about it and what you can do to help yourself reduce the risk of a heart attack This book answers key questions for anyone worried about angina What is it and why is it happening Does it mean I m going to have a heart attack What should I do when I have chest pain How do I tell if it s serious Living with Angina is also packed with useful advice about what you can do to deal with high cholesterol or high blood pressure develop a sensible exercise program and make crucial lifestyle changes that will help you live life to the full BOOK JACKET Title Summary field provided by Blackwell North America Inc All Rights Reserved **GM Diesel Engine Owners Workshop Manual** Matthew Minter,1987 Operators Manual General Motors Corporation. Detroit Diesel Engine Division,1968 **Vest Pocket Diesel Manual ...** Arnold Barton Newell,1950 Maintenance Manual for General Motors Diesel Engines General Motors Corporation. Cleveland Diesel Engine Division,1952* *Diesel Engine Manual ... Prepared ... Under the Direction of E. Molloy, Etc* Edward Molloy,1950 *Operator's Manual* ,1990

The Enigmatic Realm of **Yanmar Diesel 2gm20f Manual**: Unleashing the Language is Inner Magic

In a fast-paced digital era where connections and knowledge intertwine, the enigmatic realm of language reveals its inherent magic. Its capacity to stir emotions, ignite contemplation, and catalyze profound transformations is nothing lacking extraordinary. Within the captivating pages of **Yanmar Diesel 2gm20f Manual** a literary masterpiece penned by way of a renowned author, readers attempt a transformative journey, unlocking the secrets and untapped potential embedded within each word. In this evaluation, we shall explore the book is core themes, assess its distinct writing style, and delve into its lasting affect the hearts and minds of people who partake in its reading experience.

<https://ftp.barnabastoday.com/results/uploaded-files/index.jsp/West%20Bend%20Chrysler%20Outboard%2012%20Hp%20Parts%20Catalog%2012101.pdf>

Table of Contents Yanmar Diesel 2gm20f Manual

1. Understanding the eBook Yanmar Diesel 2gm20f Manual
 - The Rise of Digital Reading Yanmar Diesel 2gm20f Manual
 - Advantages of eBooks Over Traditional Books
2. Identifying Yanmar Diesel 2gm20f Manual
 - Exploring Different Genres
 - Considering Fiction vs. Non-Fiction
 - Determining Your Reading Goals
3. Choosing the Right eBook Platform
 - Popular eBook Platforms
 - Features to Look for in an Yanmar Diesel 2gm20f Manual
 - User-Friendly Interface
4. Exploring eBook Recommendations from Yanmar Diesel 2gm20f Manual
 - Personalized Recommendations
 - Yanmar Diesel 2gm20f Manual User Reviews and Ratings

- Yanmar Diesel 2gm20f Manual and Bestseller Lists
- 5. Accessing Yanmar Diesel 2gm20f Manual Free and Paid eBooks
 - Yanmar Diesel 2gm20f Manual Public Domain eBooks
 - Yanmar Diesel 2gm20f Manual eBook Subscription Services
 - Yanmar Diesel 2gm20f Manual Budget-Friendly Options
- 6. Navigating Yanmar Diesel 2gm20f Manual eBook Formats
 - ePub, PDF, MOBI, and More
 - Yanmar Diesel 2gm20f Manual Compatibility with Devices
 - Yanmar Diesel 2gm20f Manual Enhanced eBook Features
- 7. Enhancing Your Reading Experience
 - Adjustable Fonts and Text Sizes of Yanmar Diesel 2gm20f Manual
 - Highlighting and Note-Taking Yanmar Diesel 2gm20f Manual
 - Interactive Elements Yanmar Diesel 2gm20f Manual
- 8. Staying Engaged with Yanmar Diesel 2gm20f Manual
 - Joining Online Reading Communities
 - Participating in Virtual Book Clubs
 - Following Authors and Publishers Yanmar Diesel 2gm20f Manual
- 9. Balancing eBooks and Physical Books Yanmar Diesel 2gm20f Manual
 - Benefits of a Digital Library
 - Creating a Diverse Reading Collection Yanmar Diesel 2gm20f Manual
- 10. Overcoming Reading Challenges
 - Dealing with Digital Eye Strain
 - Minimizing Distractions
 - Managing Screen Time
- 11. Cultivating a Reading Routine Yanmar Diesel 2gm20f Manual
 - Setting Reading Goals Yanmar Diesel 2gm20f Manual
 - Carving Out Dedicated Reading Time
- 12. Sourcing Reliable Information of Yanmar Diesel 2gm20f Manual
 - Fact-Checking eBook Content of Yanmar Diesel 2gm20f Manual
 - Distinguishing Credible Sources

13. Promoting Lifelong Learning
 - Utilizing eBooks for Skill Development
 - Exploring Educational eBooks
14. Embracing eBook Trends
 - Integration of Multimedia Elements
 - Interactive and Gamified eBooks

Yanmar Diesel 2gm20f Manual Introduction

In the digital age, access to information has become easier than ever before. The ability to download Yanmar Diesel 2gm20f Manual has revolutionized the way we consume written content. Whether you are a student looking for course material, an avid reader searching for your next favorite book, or a professional seeking research papers, the option to download Yanmar Diesel 2gm20f Manual has opened up a world of possibilities. Downloading Yanmar Diesel 2gm20f Manual provides numerous advantages over physical copies of books and documents. Firstly, it is incredibly convenient. Gone are the days of carrying around heavy textbooks or bulky folders filled with papers. With the click of a button, you can gain immediate access to valuable resources on any device. This convenience allows for efficient studying, researching, and reading on the go. Moreover, the cost-effective nature of downloading Yanmar Diesel 2gm20f Manual has democratized knowledge. Traditional books and academic journals can be expensive, making it difficult for individuals with limited financial resources to access information. By offering free PDF downloads, publishers and authors are enabling a wider audience to benefit from their work. This inclusivity promotes equal opportunities for learning and personal growth. There are numerous websites and platforms where individuals can download Yanmar Diesel 2gm20f Manual. These websites range from academic databases offering research papers and journals to online libraries with an expansive collection of books from various genres. Many authors and publishers also upload their work to specific websites, granting readers access to their content without any charge. These platforms not only provide access to existing literature but also serve as an excellent platform for undiscovered authors to share their work with the world. However, it is essential to be cautious while downloading Yanmar Diesel 2gm20f Manual. Some websites may offer pirated or illegally obtained copies of copyrighted material. Engaging in such activities not only violates copyright laws but also undermines the efforts of authors, publishers, and researchers. To ensure ethical downloading, it is advisable to utilize reputable websites that prioritize the legal distribution of content. When downloading Yanmar Diesel 2gm20f Manual, users should also consider the potential security risks associated with online platforms. Malicious actors may exploit vulnerabilities in unprotected websites to distribute malware or steal personal information. To protect themselves, individuals should ensure their devices have reliable antivirus software installed and

validate the legitimacy of the websites they are downloading from. In conclusion, the ability to download Yanmar Diesel 2gm20f Manual has transformed the way we access information. With the convenience, cost-effectiveness, and accessibility it offers, free PDF downloads have become a popular choice for students, researchers, and book lovers worldwide. However, it is crucial to engage in ethical downloading practices and prioritize personal security when utilizing online platforms. By doing so, individuals can make the most of the vast array of free PDF resources available and embark on a journey of continuous learning and intellectual growth.

FAQs About Yanmar Diesel 2gm20f Manual Books

How do I know which eBook platform is the best for me? Finding the best eBook platform depends on your reading preferences and device compatibility. Research different platforms, read user reviews, and explore their features before making a choice. Are free eBooks of good quality? Yes, many reputable platforms offer high-quality free eBooks, including classics and public domain works. However, make sure to verify the source to ensure the eBook credibility. Can I read eBooks without an eReader? Absolutely! Most eBook platforms offer web-based readers or mobile apps that allow you to read eBooks on your computer, tablet, or smartphone. How do I avoid digital eye strain while reading eBooks? To prevent digital eye strain, take regular breaks, adjust the font size and background color, and ensure proper lighting while reading eBooks. What the advantage of interactive eBooks? Interactive eBooks incorporate multimedia elements, quizzes, and activities, enhancing the reader engagement and providing a more immersive learning experience. Yanmar Diesel 2gm20f Manual is one of the best book in our library for free trial. We provide copy of Yanmar Diesel 2gm20f Manual in digital format, so the resources that you find are reliable. There are also many Ebooks of related with Yanmar Diesel 2gm20f Manual. Where to download Yanmar Diesel 2gm20f Manual online for free? Are you looking for Yanmar Diesel 2gm20f Manual PDF? This is definitely going to save you time and cash in something you should think about.

Find Yanmar Diesel 2gm20f Manual :

[west bend chrysler outboard 12 hp parts catalog 12101](#)

[whales dolphins and man](#)

[welt hinter wirklichkeit madelaine chaproff](#)

[whale for the killing a the farley mowat series](#)

[werebear romance bear near the cabin](#)

what is poetry name that text type

weltkrieg dargestellt aktenmaterial deutschen ausw rtigen

what is communist anarchism now and after the abc of communist anarchism

wgu inc1 objective assessment test questions

wereld populairwetenschappelijk maandblad december 1959

wending juni 1962 maandblad voor evangelie en cultuur

wesen formen sympathie max scheler

~~what is super nature big science ideas~~

west bend popcorn maker instruction manual

what is a operational manual

Yanmar Diesel 2gm20f Manual :

10 1 nuclear radiation chemistry libretexts - Sep 05 2022

web a nuclear reaction is a reaction that affects the nucleus of an atom one type of a nuclear reaction is radioactive decay a reaction in which a nucleus spontaneously disintegrates into a slightly lighter nucleus accompanied by the emission of particles energy or both an example is shown below in which the nucleus of a polonium atom

nuclear reactions general theory springerlink - Aug 04 2022

web a nuclear reaction is a process that occurs when a nuclear particle nucleon or nucleus gets into close contact with another most of the known nuclear reactions are produced by exposing different materials to a beam of accelerated nuclear particles

10 nuclear physics physics libretexts - Jul 15 2023

web feb 20 2022 10 5 nuclear reactions early experiments revealed three types of nuclear rays or radiation alpha α rays beta β rays and gamma γ rays these three types of radiation are differentiated by their ability to penetrate matter

10 2 fission and fusion chemistry libretexts - Jan 29 2022

web aug 13 2020 in an atomic bomb or fission bomb the nuclear chain reaction is designed to be uncontrolled releasing huge amounts of energy in a short amount of time a critical mass of fissionable plutonium is contained within the bomb but not at a sufficient density

nuclear reactions physical science online consortium of - Oct 06 2022

web the reaction in our example above would be written as ${}_{11}^{238}\text{Po} \rightarrow {}_{82}^{218}\text{Pb} + {}_2^4\text{He}$ balancing a radioactive decay equation in balancing a nuclear equation it is important to remember that the sum of all the mass numbers and atomic numbers given on the upper

left and lower left side of the element symbol respectively must be equal for both sides of the

[10 5 nuclear reactions physics libretexts](#) - Jun 14 2023

web sep 12 2022 describe and compare three types of nuclear radiation use nuclear symbols to describe changes that occur during nuclear reactions describe processes involved in the decay series of heavy elements early experiments revealed three types of nuclear rays or radiation alpha α rays beta β rays and gamma γ rays

[nuclear reactions modern nuclear chemistry wiley online](#) - Feb 10 2023

web oct 7 2005 this chapter contains sections titled introduction energetics of nuclear reactions reaction types and mechanisms nuclear reaction cross sections reaction observables rutherford scattering elastic diffractive scattering direct reactions compound nucleus reactions photonuclear reactions heavy ion reactions high

chapter 10 origin of the elements lawrence berkeley national - Mar 11 2023

web chapter 10 origin of the elements 10 2 the nuclear reactions that formed 4He from neutrons and protons were radiative capture reactions free neutrons and protons fused to deuterium d or 2H with the excess energy emitted as a 2.2 MeV gamma ray $n + p \rightarrow d + \gamma$

[chapter 10 nuclear chemistry videos lessons study com](#) - Mar 31 2022

web what are radioactive materials definition examples uses benefits radioactive materials are materials that exhibit radioactivity learn about radioactivity the alpha beta and gamma

copy of ch 10 notes chapter 10 nuclear reactions notes - Jan 09 2023

web chapter 10 nuclear reactions notes name section 1 radioactivity p radioactivity o discovered by in which an unstable nucleus emits charged particles and energy radioisotope an atom containing an unstable nucleus

[nuclear reaction definition history types facts britannica](#) - Dec 28 2021

web a typical nuclear reaction involves two reacting particles a heavy target nucleus and a light bombarding particle and produces two new particles a heavier product nucleus and a lighter ejected particle in the first observed nuclear reaction 1919 ernest rutherford bombarded nitrogen with alpha particles and identified the ejected lighter particles as

nuclear reactions springerlink - Nov 07 2022

web oct 12 2018 the bulk of nuclear reaction processes is however described in terms of a statistical model approach which relies on global nuclear structure and reaction parameters such as level density and mass and barrier penetration respectively

[physical science chapter 10 nuclear reactions quizlet](#) - Dec 08 2022

web start studying physical science chapter 10 nuclear reactions learn vocabulary terms and more with flashcards games and other study tools

10 e nuclear and chemical reactions exercises - Apr 12 2023

web aug 13 2020 these are homework exercises to accompany chapter 10 of the university of kentucky s libretext for che 103 chemistry for allied health solutions are available below the questions 10 e nuclear and chemical reactions exercises

chapter 10 principles of nuclear reactors video solutions - Jul 03 2022

web explain how and why the power increases decreases or remains unchanged as a result of each of the separate changes to the reactor a the reactor is deformed into the shape of a football ellipsoid b a person stands next to the core c the temperature of

nuclear reactions modern nuclear chemistry wiley online - Aug 16 2023

web mar 27 2017 this chapter focuses on nuclear reactions that occur between a projectile and a target in a nuclear reaction moderated by the strong force in contrast to the weak force there is conservation of the number of protons and neutrons and thus the number of nucleons thus the total number of neutrons protons on the left and right sides of the

nuclear reaction definition types examples with equations - Feb 27 2022

web nuclear reactions are processes in which one or more nuclides are produced from the collisions between two atomic nuclei or one atomic nucleus and a subatomic particle the nuclides produced from nuclear reactions are different from the reacting nuclei commonly referred to as the parent nuclei

nuclear interactions and classes of nuclear reaction - May 01 2022

web nov 21 2019 with their help we can study the properties of nuclei obtain and investigate exotic nuclear states highly excited rapidly rotating etc and nuclei at the drip lines proton and neutron rich synthesize superheavy nuclei including new chemical elements explore nuclear reactions mechanisms and so on

[nuclear reactions springerlink](#) - Jun 02 2022

web jan 24 2023 in the present chapter we will discuss the basic foundations and experimental techniques for the investigation of nuclear reaction in the middle energy range where nuclei are excited or split nuclear fission are converted into other nuclei or fused to larger nuclei nuclear fusion

chapter 10 nuclear and chemical reactions chemistry libretexts - May 13 2023

web 10 1 nuclear radiation nuclear reactions are very different from chemical reactions in chemical reactions atoms become more stable by participating in a transfer of electrons or by sharing electrons with other atoms in nuclear reactions it is the nucleus of the atom that gains stability by undergoing a change of some kind

académie charpentier architecture d intérieur et direction artistique - Jul 27 2022

web jul 5 2023 charpentier un ma c tier d art et d avenir 1 4 downloaded from uniport edu ng on july 5 2023 by guest charpentier un ma c tier d art et d avenir

charpentier un ma c tier d art et d avenir pdf - Jul 07 2023

web le lecteur découvre en images l'activité des bureaux d'étude des ateliers et des chantiers les gestes spécifiques liés à la construction d'édifices en bois de charpentes

charpentier un ma c tier d art et d avenir download only - Nov 30 2022

web les formations à suivre pour devenir charpentier après la 3ème il est possible d'intégrer un cap charpentier bois un cap constructeur bois ou bien cap charpentier de

charpentier un ma c tier d art et d avenir pdf 2023 - Nov 18 2021

charpentier un ma c tier d art et d avenir uniport edu - May 25 2022

web sep 6 2023 charpentier un ma c tier d art et d avenir 1 1 downloaded from uniport edu ng on september 6 2023 by guest charpentier un ma c tier d art et d

charpentier inma institut national des métiers d art - Oct 30 2022

web apr 20 2023 charpentier un ma c tier d art et d avenir 1 4 downloaded from uniport edu ng on april 20 2023 by guest charpentier un ma c tier d art et d avenir

charpentier un ma c tier d art et d avenir pdf uniport edu - Apr 04 2023

web right here we have countless book charpentier un ma c tier d art et d avenir and collections to check out we additionally find the money for variant types and after that

charpentier un ma c tier d art et d avenir copy api mobomo - Jan 21 2022

web if you ally habit such a referred charpentier un ma c tier d art et d avenir pdf books that will allow you worth acquire the unconditionally best seller from us currently from several

charpentier un ma c tier d art et d avenir uniport edu - Apr 23 2022

web 2 charpentier un ma c tier d art et d avenir 2021 03 25 modern marketing at work upon this popular news literature the canards challenge our assumptions about the

charpentier un métier d art et d avenir amazon fr - Sep 09 2023

web noté 5 retrouvez charpentier un métier d art et d avenir et des millions de livres en stock sur amazon fr achetez neuf ou d'occasion

découvrez l'ouvrage charpentier un métier d art et d avenir - Oct 10 2023

web venez à la rencontre du métier de charpentier à travers des chantiers traditionnels et contemporains en france et suivez les étapes clés du métier de charpentier de la

devenir charpentier fiche métier formations et salaire - Sep 28 2022

web nov 2 2023 l académie charpentier est depuis 1945 la grande école qui forme architectes d intérieur designers et directeurs artistiques elle délivre deux titres rncp

[charpentier un métier d art et d avenir gilles mermet librairie](#) - Jun 06 2023

web nov 28 2013 cet ouvrage nous invite à découvrir le métier de charpentier en nous conduisant au coeur de l une des plus nobles activités du génie civil il présente les

charpentier un ma c tier d art et d avenir pdf uniport edu - Aug 28 2022

web charpentier un ma c tier d art et d avenir right here we have countless ebook charpentier un ma c tier d art et d avenir and collections to check out we

charpentier un métier d art et d avenir broché fnac - May 05 2023

web charpentier un ma c tier d art et d avenir 3 4 downloaded from uniport edu ng on august 22 2023 by guest through textual construction french music culture and national

charpentier un métier d art et d avenir cmp bois - Aug 08 2023

web charpentier un ma c tier d art et d avenir is available in our digital library an online access to it is set as public so you can get it instantly our books collection saves in

[devenir charpentier avenir formation salaire cherche](#) - Jan 01 2023

web la charpente traditionnelle conserve une large part du marché mais elle est réservée à la construction standing et à la réhabilitation devenir charpentier formation initiale

charpentier un ma c tier d art et d avenir napoléon landais - Jun 25 2022

web jul 31 2023 get the charpentier un ma c tier d art et d avenir associate that we manage to pay for here and check out the link you could buy guide charpentier un ma c tier d

charpentier un ma c tier d art et d avenir uniport edu - Mar 23 2022

web 4 charpentier un ma c tier d art et d avenir 2022 11 01 cragin provides an in depth study of the production sale and content of the canards he demonstrates their

[charpentier un ma c tier d art et d avenir copy](#) - Dec 20 2021

charpentier un ma c tier d art et d avenir pdf uniport edu - Mar 03 2023

web aug 4 2023 charpentier un ma c tier d art et d avenir 4 5 downloaded from uniport edu ng on august 4 2023 by guest the royal dictionary abridged abel boyer

[charpentier un ma c tier d art et d avenir uniport edu](#) - Feb 02 2023

web charpentier un ma c tier d art et d avenir compleat french master the treasure of the french and english languages the

tenth edition corrected and improved Œuvres

charpentier un ma c tier d art et d avenir wrbb neu - Feb 19 2022

web for charpentier un ma c tier d art et d avenir and numerous books collections from fictions to scientific research in any way along with them is this charpentier un ma c

matemáticas enfoque por competencias según el marco - Apr 23 2022

web matemáticas enfoque por competencias según el marco curricular común vol 4 cuéllar carvajal juan antonio amazon com mx libros

matematicas 4 juan antonio cuellar tug do nlnetlabs nl - Jun 25 2022

web sep 1 2023 *matematicas 4 juan antonio cuellar ihm public cmaps 2 segovia y matemáticas fes cuautitlan*

misprofesores com facultad de contaduria y administracion unam university of california institute for mexico and the segovia y matemáticas enero 2012 dof diario oficial de la federación cithara hispanica

matematicas 4 juan antonio cuellar mercadolibre - Feb 02 2023

web de 2 siguiente envíos gratis en el día compre matematicas 4 juan antonio cuellar en cuotas sin interés conozca nuestras increíbles ofertas y promociones en millones de productos

matemáticas iii cuéllar carvajal juan antonio free download - Oct 10 2023

web matema ticas iii cue llar carvajal juan antonio free download borrow and streaming internet archive matema ticas iii by cue llar carvajal juan antonio publication date 2012 topics mathematics problems exercises etc mathematics publisher mexico d f mcgraw hill interamericana collection

matemáticas 4 juan antonio cuéllar carvajal download on z - Mar 03 2023

web matemáticas 4 juan antonio cuéllar carvajal download on z library z library download books for free find books

matematicas iv juan antonio cuellar carvajal librería ditesi - Jan 01 2023

web nombre matematicas iv isbn 9786071514332 editorial mcgraw hill autor juan antonio cuellar carvajal

matemáticas 5 3rd edición 9786071514844 9781456277642 - Feb 19 2022

web matemáticas 5 3rd edición fue escrito por juan antonio cuéllar carvajal y publicado por mcgraw hill interamericana los isbn digitales y de libros de texto electrónicos de matemáticas 5 son 9781456277642 1456277642 y los isbn de versión impresa son 9786071514844 6071514843 ahorra hasta un 80 en comparación con la versión

matemáticas 4 mcgraw hill education - Jun 06 2023

web matemáticas 4 soluciones y videos 5 e juan antonio cuéllar to learn more about the book this website supports please visit its information center derechos reservados r 2020 mcgraw hill interamericana editores s a

matematicas ii enfoque por competencias 4 edicion - Aug 28 2022

web matematicas ii enfoque por competencias 4 edicion juan antonio cuellar carvajal 241 00 la ventaja de esta plataforma es que esta centrada en evaluar constanteme

matemáticas i para bachillerato juan antonio cuéllar carvajal - Nov 30 2022

web title matemáticas i para bachillerato serie de matemáticas author juan antonio cuéllar carvajal publisher mcgraw hill 2004 isbn 9701043421 9789701043424

matemáticas ii geometría y trigonometría juan antonio cuéllar - May 05 2023

web matemáticas ii geometría y trigonometría author juan antonio cuéllar carvajal edition 2 publisher mcgraw hill 2009 isbn 9701065433 9789701065433

matemáticas 4 juan antonio cuéllar carvajal pdf scribd - Sep 09 2023

web matemáticas 4 juan antonio cuéllar carvajal z lib org read book online for free

matematicas i serie cuellar 5 ed tulibreria mx - Jul 27 2022

web matematicas i serie cuellar 5 ed cuellar carvajal juan antonio mc graw hill educacion votos isbn 9781456263119 edición ed 5 2018 318 00 mxn sin existencias en stock lista de deseos

matematicas 4 juan antonio cuellar mc grawhill pdf dichos y - Jul 07 2023

web descargar libro matematicas 4 juan antonio cuellar mc grawhill en pdf dichos y refranes matematicas 4 juan antonio cuellar mc grawhill pdf dichos y refranes dichos y refranes

matematicas iv cuellar carvajal juan antonio - Sep 28 2022

web matematicas iv cuellar carvajal juan antonio editorial mcgraw hill materia bachillerato isbn 978 607 15 1433 2 idioma

matemáticas iv relaciones y funciones worldcat org - Apr 04 2023

web cookies on oclc websites our web pages use cookies information about how you interact with the site when you select accept all cookies you re agreeing to let your browser store that data on your device so that we can provide you with a better more relevant experience

matemáticas 4 5th edition solutions and answers quizlet - Aug 08 2023

web find step by step solutions and answers to matemáticas 4 9786071514332 as well as thousands of textbooks so you can move forward with confidence hello quizlet home

cálculo integral matemáticas preparatoria - May 25 2022

web may 25 2023 entérese de más universidad matematicas vi 3rd edición autor es juan antonio cuéllar carvajal 2021 published april 23 2021 la tercera edición se apeg a lo recién estipulado por la dgb conserva el trabajo de temas transversales de manera interdisciplinar

matematicas ii 2ed geometria y trigonometria bach - Mar 23 2022

web matematicas iv bachillerato majestic education para todos cuellar juan antonio código de artículo 05410336 en stock

matematicas ii geometría plana y trigonometría juan antonio cuellar - Oct 30 2022

web geometría plana y trigonometría juan antonio cuellar pdf online book share 42 c 28 5 uanl mate 2 etapa 4 jab indd 331

14 11 12 14 17 uanl mate 2 etapa 4 jab indd 332 14 11 12 14 17 uanl mate 2 etapa 4 jab indd 333 14 11 12 14 17 uanl mate 2

etapa 4 jab indd 334 14 11 12 14 17 uanl mate 2 etapa 4 jab indd 335 14 11 12 14 17 uanl