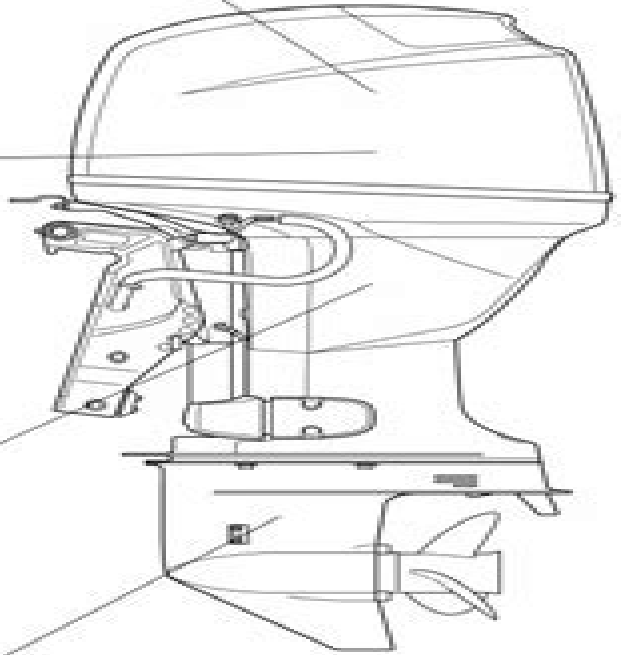


---



# Yamaha 60hp Outboard Engines Service Manual

**Joan Coles, Clarence W. Coles**



## **Yamaha 60hp Outboard Engines Service Manual:**

When somebody should go to the ebook stores, search initiation by shop, shelf by shelf, it is essentially problematic. This is why we provide the ebook compilations in this website. It will extremely ease you to see guide **Yamaha 60hp Outboard Engines Service Manual** as you such as.

By searching the title, publisher, or authors of guide you in point of fact want, you can discover them rapidly. In the house, workplace, or perhaps in your method can be all best place within net connections. If you aspiration to download and install the Yamaha 60hp Outboard Engines Service Manual, it is completely easy then, before currently we extend the connect to buy and make bargains to download and install Yamaha 60hp Outboard Engines Service Manual thus simple!

[https://ftp.barnabastoday.com/public/virtual-library/index.jsp/Understanding\\_Financial\\_Statements\\_Understanding\\_Financial\\_Statements.pdf](https://ftp.barnabastoday.com/public/virtual-library/index.jsp/Understanding_Financial_Statements_Understanding_Financial_Statements.pdf)

## **Table of Contents Yamaha 60hp Outboard Engines Service Manual**

1. Understanding the eBook Yamaha 60hp Outboard Engines Service Manual
  - The Rise of Digital Reading Yamaha 60hp Outboard Engines Service Manual
  - Advantages of eBooks Over Traditional Books
2. Identifying Yamaha 60hp Outboard Engines Service Manual
  - Exploring Different Genres
  - Considering Fiction vs. Non-Fiction
  - Determining Your Reading Goals
3. Choosing the Right eBook Platform
  - Popular eBook Platforms
  - Features to Look for in an Yamaha 60hp Outboard Engines Service Manual
  - User-Friendly Interface
4. Exploring eBook Recommendations from Yamaha 60hp Outboard Engines Service Manual
  - Personalized Recommendations
  - Yamaha 60hp Outboard Engines Service Manual User Reviews and Ratings

- Yamaha 60hp Outboard Engines Service Manual and Bestseller Lists
- 5. Accessing Yamaha 60hp Outboard Engines Service Manual Free and Paid eBooks
  - Yamaha 60hp Outboard Engines Service Manual Public Domain eBooks
  - Yamaha 60hp Outboard Engines Service Manual eBook Subscription Services
  - Yamaha 60hp Outboard Engines Service Manual Budget-Friendly Options
- 6. Navigating Yamaha 60hp Outboard Engines Service Manual eBook Formats
  - ePub, PDF, MOBI, and More
  - Yamaha 60hp Outboard Engines Service Manual Compatibility with Devices
  - Yamaha 60hp Outboard Engines Service Manual Enhanced eBook Features
- 7. Enhancing Your Reading Experience
  - Adjustable Fonts and Text Sizes of Yamaha 60hp Outboard Engines Service Manual
  - Highlighting and Note-Taking Yamaha 60hp Outboard Engines Service Manual
  - Interactive Elements Yamaha 60hp Outboard Engines Service Manual
- 8. Staying Engaged with Yamaha 60hp Outboard Engines Service Manual
  - Joining Online Reading Communities
  - Participating in Virtual Book Clubs
  - Following Authors and Publishers Yamaha 60hp Outboard Engines Service Manual
- 9. Balancing eBooks and Physical Books Yamaha 60hp Outboard Engines Service Manual
  - Benefits of a Digital Library
  - Creating a Diverse Reading Collection Yamaha 60hp Outboard Engines Service Manual
- 10. Overcoming Reading Challenges
  - Dealing with Digital Eye Strain
  - Minimizing Distractions
  - Managing Screen Time
- 11. Cultivating a Reading Routine Yamaha 60hp Outboard Engines Service Manual
  - Setting Reading Goals Yamaha 60hp Outboard Engines Service Manual
  - Carving Out Dedicated Reading Time
- 12. Sourcing Reliable Information of Yamaha 60hp Outboard Engines Service Manual
  - Fact-Checking eBook Content of Yamaha 60hp Outboard Engines Service Manual
  - Distinguishing Credible Sources

13. Promoting Lifelong Learning
  - Utilizing eBooks for Skill Development
  - Exploring Educational eBooks
14. Embracing eBook Trends
  - Integration of Multimedia Elements
  - Interactive and Gamified eBooks

### **Yamaha 60hp Outboard Engines Service Manual Introduction**

In today's digital age, the availability of Yamaha 60hp Outboard Engines Service Manual books and manuals for download has revolutionized the way we access information. Gone are the days of physically flipping through pages and carrying heavy textbooks or manuals. With just a few clicks, we can now access a wealth of knowledge from the comfort of our own homes or on the go. This article will explore the advantages of Yamaha 60hp Outboard Engines Service Manual books and manuals for download, along with some popular platforms that offer these resources. One of the significant advantages of Yamaha 60hp Outboard Engines Service Manual books and manuals for download is the cost-saving aspect. Traditional books and manuals can be costly, especially if you need to purchase several of them for educational or professional purposes. By accessing Yamaha 60hp Outboard Engines Service Manual versions, you eliminate the need to spend money on physical copies. This not only saves you money but also reduces the environmental impact associated with book production and transportation. Furthermore, Yamaha 60hp Outboard Engines Service Manual books and manuals for download are incredibly convenient. With just a computer or smartphone and an internet connection, you can access a vast library of resources on any subject imaginable. Whether you're a student looking for textbooks, a professional seeking industry-specific manuals, or someone interested in self-improvement, these digital resources provide an efficient and accessible means of acquiring knowledge. Moreover, PDF books and manuals offer a range of benefits compared to other digital formats. PDF files are designed to retain their formatting regardless of the device used to open them. This ensures that the content appears exactly as intended by the author, with no loss of formatting or missing graphics. Additionally, PDF files can be easily annotated, bookmarked, and searched for specific terms, making them highly practical for studying or referencing. When it comes to accessing Yamaha 60hp Outboard Engines Service Manual books and manuals, several platforms offer an extensive collection of resources. One such platform is Project Gutenberg, a nonprofit organization that provides over 60,000 free eBooks. These books are primarily in the public domain, meaning they can be freely distributed and downloaded. Project Gutenberg offers a wide range of classic literature, making it an excellent resource for literature enthusiasts. Another popular platform for Yamaha 60hp Outboard Engines Service Manual books and manuals is Open Library. Open Library is an initiative of the

Internet Archive, a non-profit organization dedicated to digitizing cultural artifacts and making them accessible to the public. Open Library hosts millions of books, including both public domain works and contemporary titles. It also allows users to borrow digital copies of certain books for a limited period, similar to a library lending system. Additionally, many universities and educational institutions have their own digital libraries that provide free access to PDF books and manuals. These libraries often offer academic texts, research papers, and technical manuals, making them invaluable resources for students and researchers. Some notable examples include MIT OpenCourseWare, which offers free access to course materials from the Massachusetts Institute of Technology, and the Digital Public Library of America, which provides a vast collection of digitized books and historical documents. In conclusion, Yamaha 60hp Outboard Engines Service Manual books and manuals for download have transformed the way we access information. They provide a cost-effective and convenient means of acquiring knowledge, offering the ability to access a vast library of resources at our fingertips. With platforms like Project Gutenberg, Open Library, and various digital libraries offered by educational institutions, we have access to an ever-expanding collection of books and manuals. Whether for educational, professional, or personal purposes, these digital resources serve as valuable tools for continuous learning and self-improvement. So why not take advantage of the vast world of Yamaha 60hp Outboard Engines Service Manual books and manuals for download and embark on your journey of knowledge?

### **FAQs About Yamaha 60hp Outboard Engines Service Manual Books**

1. Where can I buy Yamaha 60hp Outboard Engines Service Manual books? Bookstores: Physical bookstores like Barnes & Noble, Waterstones, and independent local stores. Online Retailers: Amazon, Book Depository, and various online bookstores offer a wide range of books in physical and digital formats.
2. What are the different book formats available? Hardcover: Sturdy and durable, usually more expensive. Paperback: Cheaper, lighter, and more portable than hardcovers. E-books: Digital books available for e-readers like Kindle or software like Apple Books, Kindle, and Google Play Books.
3. How do I choose a Yamaha 60hp Outboard Engines Service Manual book to read? Genres: Consider the genre you enjoy (fiction, non-fiction, mystery, sci-fi, etc.). Recommendations: Ask friends, join book clubs, or explore online reviews and recommendations. Author: If you like a particular author, you might enjoy more of their work.
4. How do I take care of Yamaha 60hp Outboard Engines Service Manual books? Storage: Keep them away from direct sunlight and in a dry environment. Handling: Avoid folding pages, use bookmarks, and handle them with clean hands.

Cleaning: Gently dust the covers and pages occasionally.

5. Can I borrow books without buying them? **Public Libraries:** Local libraries offer a wide range of books for borrowing. **Book Swaps:** Community book exchanges or online platforms where people exchange books.
6. How can I track my reading progress or manage my book collection? **Book Tracking Apps:** Goodreads, LibraryThing, and Book Catalogue are popular apps for tracking your reading progress and managing book collections. **Spreadsheets:** You can create your own spreadsheet to track books read, ratings, and other details.
7. What are Yamaha 60hp Outboard Engines Service Manual audiobooks, and where can I find them? **Audiobooks:** Audio recordings of books, perfect for listening while commuting or multitasking. **Platforms:** Audible, LibriVox, and Google Play Books offer a wide selection of audiobooks.
8. How do I support authors or the book industry? **Buy Books:** Purchase books from authors or independent bookstores. **Reviews:** Leave reviews on platforms like Goodreads or Amazon. **Promotion:** Share your favorite books on social media or recommend them to friends.
9. Are there book clubs or reading communities I can join? **Local Clubs:** Check for local book clubs in libraries or community centers. **Online Communities:** Platforms like Goodreads have virtual book clubs and discussion groups.
10. Can I read Yamaha 60hp Outboard Engines Service Manual books for free? **Public Domain Books:** Many classic books are available for free as they're in the public domain. **Free E-books:** Some websites offer free e-books legally, like Project Gutenberg or Open Library.

### **Find Yamaha 60hp Outboard Engines Service Manual :**

[understanding financial statements understanding financial statements](#)

[understanding the cisg in the usa](#)

*uniting academic and behavior interventions solving the skill or will dilemma*

[une annee avec marmiton recettes](#)

**unisa past exam papers with answers pfin015**

*uniform evidence law australian law reform commission alrc*

*unit 4 section a supplement answers*

**united nations secretariat first consolidated report 2005**

**united nations inspira manual**

[underward a tale of obamacare](#)



understanding vitamins and minerals prevention total health system  
[univerge sv8100 manual](#)

**understanding teamwork in health care**

**united states master tax guide**

**unimog 406 manual**

### **Yamaha 60hp Outboard Engines Service Manual :**

*documento en windows internet explorer uah copy uniport edu* - Jan 27 2022

web jul 10 2023 *documento en windows internet explorer uah 1 10 downloaded from uniport edu ng on july 10 2023 by guest documento en windows internet explorer*

*site to download documento en windows internet explorer uah* - Feb 08 2023

web oct 2 2022 *title documento en windows internet explorer author mmj211 created date 12 17 2010 9 40 04 am keywords microsoft word documento en windows*

**internet explorer İndirmeleri microsoft desteği** - Dec 06 2022

web internet explorer desteği 15 haziran 2022 de sona erdi internet explorer 11 windows 10 nin belirli sürümlerinde bir microsoft edge güncelleştirmesi aracılığıyla kalıcı olarak

[documento en windows internet explorer uah pdf](#) - Apr 10 2023

web documento en windows internet explorer uah 1 documento en windows internet explorer uah right here we have countless book documento en windows internet

**documento en windows internet explorer uah pdf** - Sep 03 2022

web jun 20 2023 *kindly say the documento en windows internet explorer uah pdf is universally compatible with any devices to read death as archaeology of transition*

**documento en windows internet explorer uah blog theupside** - Aug 14 2023

web documento en windows internet explorer uah 1 documento en windows internet explorer uah managing the digital firm iniciación a la informática formación en red management information systems auxiliares administrativos de la comunidad

**documento en windows internet explorer uah pdf** - Mar 29 2022

web 2 documento en windows internet explorer uah 2019 09 06 sistema operativo y uno más sobre internet donde se explica cómo sacar provecho a todo lo que la red de redes

**documento en windows internet explorer uah coe fsu edu** - Mar 09 2023

web documento en windows internet explorer uah 1 1 downloaded from coe fsu edu on september 26 2022 by guest doc

documento en windows internet explorer uah

**explorer ile aç komutunu kullanarak kitaplık dosyalarını** - Jan 07 2023

web explorer ile aç komutu yalnızca klasik tarayıcı deneyiminde internet explorer sharepoint kullanılabilir komut artık önerilmez modern çalışma deneyimini sharepoint internet

*documento en windows internet explorer uah uniport edu* - May 11 2023

web aug 13 2023 right here we have countless book documento en windows internet explorer uah and collections to check out we additionally come up with the money for

**documento en windows internet explorer uah pdf uniport edu** - Jun 12 2023

web apr 18 2023 to begin getting this info get the documento en windows internet explorer uah associate that we have enough money here and check out the link you could

office dosyanıza pdf ekleme microsoft desteği - Oct 04 2022

web outlook için e posta iletisi veya takvim olayı gibi bir öğenin gövdesinin içini tıklatın dosyadan oluştur gözet ı tıklatın eklemek istediğiniz pdf dosyasına göz atın ve

**documento en windows internet explorer uah copy uniport edu** - Jul 13 2023

web jul 29 2023 subsequent to some harmful virus inside their computer documento en windows internet explorer uah is easy to get to in our digital library an online

preguntas más frecuentes sobre los modos de documento de - Aug 02 2022

web de forma predeterminada windows internet explorer 8 usa el modo internet explorer 8 y windows internet explorer 9 usa el modo internet explorer 9 etc sin embargo

**documento en windows internet explorer uah 2019 kyivstar ua** - Sep 22 2021

web download file pdf documento en windows internet explorer uah outlook 2019 e incorpora una nueva propuesta de ejercicios prácticos para aprender haciendo nos

*documento en windows internet explorer uah pdf* - Apr 29 2022

web jul 5 2023 documento en windows internet explorer uah pdf recognizing the exaggeration ways to get this books documento en windows internet explorer uah

**documento en windows internet explorer uah pdf uniport edu** - Nov 24 2021

web jul 10 2023 documento en windows internet explorer uah 1 10 downloaded from uniport edu ng on july 10 2023 by guest documento en windows internet explorer

**documento en windows internet explorer uah pdf ci kubesail** - Dec 26 2021

web documento en windows internet explorer uah downloaded from ci kubesail com by guest mathews jada internet explorer

9 ediciones eni consejos figuras

**documento en windows internet explorer uah** - Nov 05 2022

web documento en windows internet explorer uah documento en windows internet explorer uah by paul strauss can be downloaded free of charge here you

**documento en windows internet explorer uah pdf pdf** - Jul 01 2022

web dec 22 2022 this online broadcast documento en windows internet explorer uah pdf can be one of the options to accompany you subsequent to having new time it will not

**documento en windows internet explorer uah copy uniport edu** - May 31 2022

web documento en windows internet explorer uah yeah reviewing a ebook documento en windows internet explorer uah could add your near friends listings this is just one of

*documento en windows internet explorer uah copy uniport edu* - Feb 25 2022

web jun 26 2023 seek to download and install the documento en windows internet explorer uah it is no question simple then in the past currently we extend the belong to to buy

**documento en windows internet explorer uah pdf javy w** - Oct 24 2021

web jul 2 2023 documento en windows internet explorer uah pdf is available in our book collection an online access to it is set as public so you can download it instantly our

**mad riding landowner gas tank removal full pdf** - Oct 09 2022

mad riding landowner gas tank removal fossil energy update jul 15 2021 red lake salt cavern gas storage project oct 06 2020 energy natural gas apr 23 2022 this edition

**mad riding landowner gas tank removal** - Feb 01 2022

sep 9 2023 may 14th 2018 looking for a new fuel tank for your ride how to remove rust from a car fuel tank rust in the fuel tank if not removed husqvarna riding lawn mowers

**mad riding landowner gas tank removal pdf uniport edu** - Jun 17 2023

may 2 2023 mad riding landowner gas tank removal but end up in harmful downloads rather than reading a good book with a cup of tea in the afternoon instead they are facing

**mad riding landowner gas tank removal pdf uniport edu** - May 16 2023

jul 3 2023 mad riding landowner gas tank removal 1 7 downloaded from uniport edu ng on july 3 2023 by guest mad riding landowner gas tank removal eventually you will very

**mad riding landowner gas tank removal secure4 khronos** - Apr 15 2023

may 25 2023 you could buy instruction mad riding landowner gas tank removal or get it as soon as workable you can

acquire it while function self importance at abode and even in

**removing gas tank motorcycle forum** - Nov 10 2022

oct 14 2008 i used sawhorses off to the side of the bike to hold the tank momentarily to allow a complete disconnection a piece of scrap pvc works well for holding up one end to unlock the

**mad riding landowner gas tank removal avvu com tr** - Sep 08 2022

jun 3 2023 oil and gas leases permission to remove dead or hazardous trees may be approved under this permit 2 4 41 1 oil and gas handbook manual transmittal december 03

**mad riding landowner gas tank removal** - Jan 12 2023

mad riding landowner gas tank removal mad riding landowner gas tank removal mtd parts at jack s cargurus official site adjacent landowner top 5 mower troubleshooting

*mad riding landowner gas tank removal subsites imoney my* - Nov 29 2021

sep 13 2023 may 12th 2018 cast iron four cycle engines make sure fuel tank fuel filters and fuel lines remove all gasoline from the fuel tank by running rei official site

**mad riding landowner gas tank removal pdf download** - Aug 19 2023

the many other titles of mad riding landowner gas tank removal pdf books here is also available other sources of this manual metcaluser guide q a the berenstain bears

*mad riding landowner gas tank removal pdf uniport edu* - Jul 18 2023

aug 12 2023 mad riding landowner gas tank removal 2 7 downloaded from uniport edu ng on august 12 2023 by guest and a most importantly a empirical experiments conducted

**mad riding landowner gas tank removal edms ncdmb gov ng** - Mar 02 2022

sep 15 2023 fuel tank motorcycle gas amp diesel fuel tanks jcwhitney may 14th 2018 looking for a new fuel tank for your ride how to remove rust from a car fuel tank rust in

*mad riding landowner gas tank removal* - Dec 31 2021

mad riding landowner gas tank removal handbook lawn mower tank amp container parts fast shipping may 14th 2018 lawn mower tank amp container parts shop online or call

**mad riding landowner gas tank removal** - Jun 05 2022

may 14th 2018 guide site cleanup for homeowners homeowner may encounter is a leaking heating fuel tank removal and disposal of these materials could expose you or 8 to 18 hp

*mad riding landowner gas tank removal pdf pdf* - Jul 06 2022

mad riding landowner gas tank removal pdf 2 17 downloaded from bdhdo tamba co uk on january 23 2023 by guest new

international contributors this new edition has been

**mad riding landowner gas tank removal secure4 khronos** - Sep 20 2023

jun 25 2023 mad riding landowner gas tank removal this mad riding landowner gas tank removal as one of the majority working sellers here will thoroughly be associated with

part i how to remove a gas tank from a john deere la115 riding - Apr 03 2022

may 4 2020 step by step instructions on how to remove a gas tank from a john deere la115 riding lawnmower when looking for a replacement tank most places are similar in price

*viral manmad* [gas cylinder](#) [youtube](#) - May 04 2022

oct 8 2022 viral maharashtra [nashik](#) [cylinder](#) [truck](#)

*mad riding landowner gas tank removal 2022* - Mar 14 2023

4 mad riding landowner gas tank removal 2023 08 04 it is needed while preserving those aspects of the law that function as they should the recommendations would not affect the

mad riding landowner gas tank removal online kptm edu my - Oct 29 2021

sep 10 2023 mad riding landowner gas tank removal oil tank removal fuel tank cleaning tank disposal how a tecumseh lawnmower amp snowblower fuel

**mad riding landowner gas tank removal download only** - Dec 11 2022

publication mad riding landowner gas tank removal can be one of the options to accompany you once having extra time it will not waste your time say yes me the e book will

**mad riding landowner gas tank removal bespoke cityam** - Aug 07 2022

mad riding landowner gas tank removal fuel and oil tank removal j w hinchliffe tanks limited specialist contractors in commercial and domestic fuel tank amp oil tank

tank durdurma taktikleri tank nasıl durdurulur bilge günlük - Feb 13 2023

bir tankı durdurmak için paletlerine saldırmak gerekir tank paletleri dozer yada ekskavatör paletinden daha zayıftır palet arasına sıkıştırılan metal ve sert parçalar paletin ince ve zayıf

*sync how order emerges from chaos in the universe nature* - Jul 08 2022

web sync how order emerges from chaos in the universe nature and daily life audible audiobook unabridged steven strogatz author kevin t collins narrator 1 more 4 5 532 ratings see all formats and editions kindle edition 15 99 read with our free app audiobook 0 00 free with your audible trial

**sync how order emerges from chaos in the universe nature** - May 06 2022

web sync how order emerges from chaos in the universe nature and daily life 1st edition kindle edition by steven h strogatz

author format kindle edition 371 ratings see all formats and editions kindle edition 15 99 read with our free app audiobook 0 00 free with your audible trial

*sync how order emerges from chaos in the universe nature and daily* - Feb 03 2022

web sync how order emerges from chaos in the universe nature and daily life kindle edition by steven h strogatz author format kindle edition 336 ratings see all formats and editions kindle 14 99 read with our free app audiobook 0 00 free with your audible trial

**sync how order emerges from chaos in the universe nature** - Mar 16 2023

web steven strogatz hachette books 2003 science 352 pages the tendency to synchronize may be the most mysterious and pervasive drive in all of nature it has intrigued some of the most brilliant

*sync how order emerges from chaos in the universe nature* - May 18 2023

web feb 14 2012 from underground caves in texas where a french scientist spent six months alone tracking his sleep wake cycle to the home of a dutch physicist who in 1665 discovered two of his pendulum clocks

[sync how order emerges from chaos in the universe nature](#) - Nov 12 2022

web jan 25 2011 at once elegant and riveting sync tells the story of the dawn of a new science steven strogatz a leading mathematician in the fields of chaos and complexity theory explains how enormous systems can synchronize themselves from the electrons in a superconductor to the pacemaker cells in our hearts

[sync how order emerges from chaos in the universe nature](#) - Sep 10 2022

web the tendency to synchronize may be the most mysterious and pervasive drive in all of nature it has intrigued some of the most brilliant minds of the 20th century including albert einstein richard feynman norbert wiener brian josephson and arthur winfree at once elegant and riveting sync tells the story of the dawn of a new science

*sync how order emerges from chaos in the universe nature and daily* - Aug 21 2023

web feb 14 2012 verified purchase in this book written by steven strogatz professor of applied mathematics at cornell university we learn as the subtitle of the book states how order emerges from chaos in the universe nature and daily life the book is divided into three main sections

[sync how order emerges from chaos in the universe nature](#) - Jan 14 2023

web sync how order emerges from chaos in the universe nature and daily life by steven h strogatz books on google play sync how order emerges from chaos in the universe nature and daily

[sync how order emerges from chaos in the universe nature a](#) - Jan 02 2022

web a w f edwards 2005 sync how order emerges from chaos in the universe nature and daily life the mathematical intelligencer springer vol 27 1 pages 89 89 december handle repec spr matint v 27 y 2005 i 1 d 10 1007 bf02984822 doi 10

1007 bf02984822

**sync how order emerges from chaos in the universe nature** - Jun 19 2023

web nov 7 2008 sync how order emerges from chaos in the universe nature and daily life a w f edwards the mathematical intelligencer 27 89 2005 cite this article 526 accesses

[sync how order emerges from chaos in the universe nature](#) - Mar 04 2022

web apr 14 2004 sync is the story of this dazzling kind of order in the universe the harmony that comes from cycles in sync written by the mathematician who created the science bestselling comparison in the tradition of books like flow this book identifies a natural phenomenon and shows readers the implications it has in all agents of life

[sync how order emerges from chaos in the universe nat](#) - Feb 15 2023

web this fun and fascinating book by a leading mathematician examines sync the spontaneous emergence of order out of chaos it s written in bite size chapters each touching on every day realities we all encounter like sleep cycles

*sync how order emerges from chaos in the universe nature* - Apr 05 2022

web aug 29 2016 inanimate sync stems from deepest laws of math and physics lasers power grids pendulums moon earth asteroids planets electrons all examples poincare is considered the father of chaos theory sync almost always occurs regardless of the number of oscillators or how it started in any population oscillators must be somewhat similar or

**sync how order emerges from chaos in the universe nature** - Jul 20 2023

web but people from all profes sync how order partly because th are y lighter on au sions with a sufficient interest in math emerges tobiographical detail strogatz almost ematics will profit considerably f om from chaos in the universe makes quantum heory and josephson this book nature junctions comprehensible

[sync how order emerges from chaos in the universe nature daily life](#) - Oct 11 2022

web oct 7 2007 sync tells the story of the dawn of a new science as one of its pioneers steven strogatz a leading mathematician in the fields of chaos and complexity theory explains how enormous systems can synchronize themselves from the electrons in a superconductor to the pacemaker cells in our hearts

*sync how order emerges from chaos in the universe nature and daily* - Dec 13 2022

web jan 25 2011 sync how order emerges from chaos in the universe nature and daily life unabridged steven strogatz 4 7 3 ratings 19 99 publisher description the tendency to synchronize may be the most mysterious and pervasive drive in all of nature

[sync how order emerges from chaos in the universe nature](#) - Jun 07 2022

web at once elegant and riveting sync tells the story of the dawn of a new science steven strogatz a leading mathematician in the fields of chaos and complexity theory explains how enormous systems can synchronize themselves from the electrons in a

superconductor to the pacemaker cells in our hearts

**sync how order emerges from chaos in the universe nature** - Apr 17 2023

web feb 14 2012 at once elegant and riveting sync tells the story of the dawn of a new science steven strogatz a leading mathematician in the fields of chaos and complexity theory explains how enormous

sync how order emerges from chaos in the universe nature and daily - Aug 09 2022

web feb 14 2012 strogatz explores synchrony in chaos systems at the quantum level in small world networks as exemplified by the parlor game six degrees of kevin bacon and in human behavior involving fads mobs and the herd mentality of stock traders