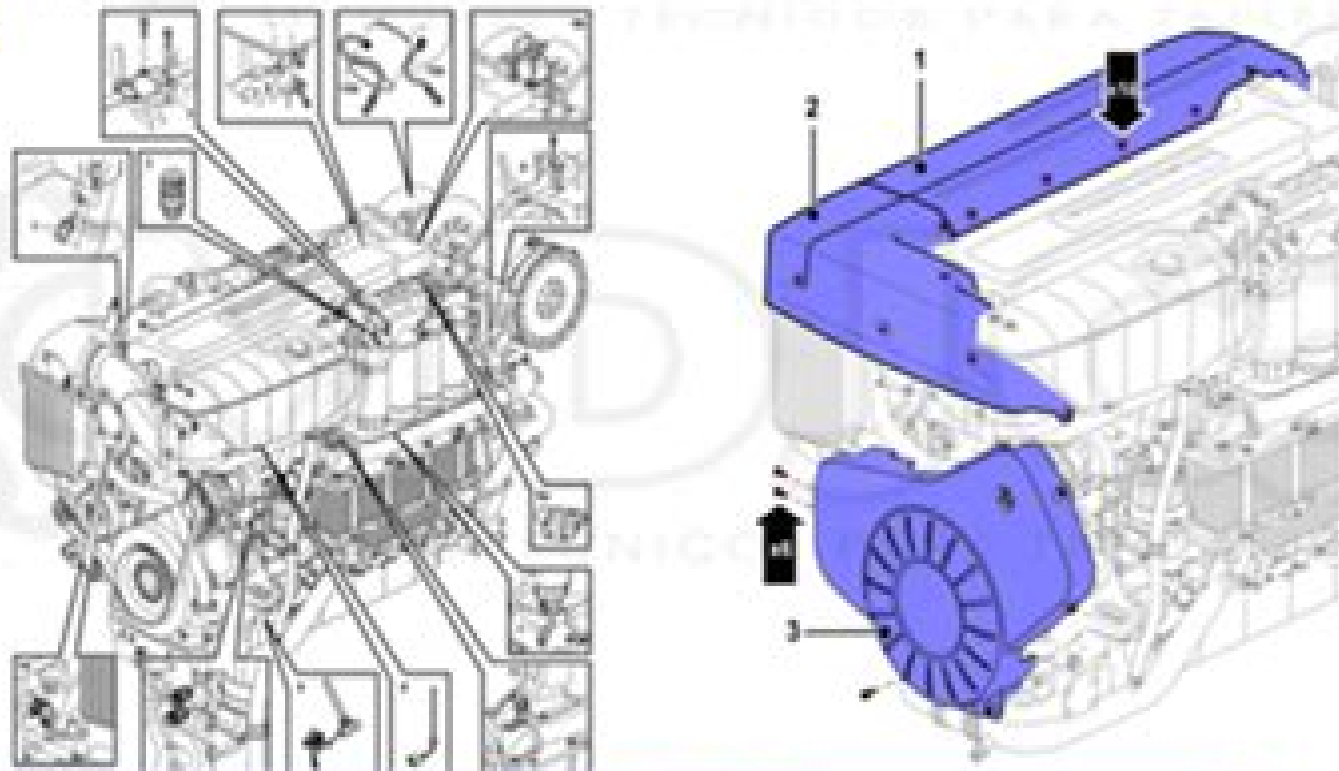


VOLVO PENTA

D13



D13B / D13C

Volvo Penta D13 Service Manual

Volvo Penta (Firm)



Volvo Penta D13 Service Manual:

Volvo Penta (Seloc) Seloc,2008 This manual covers the topics that a factory service manual designed for factory trained mechanics and a manufacturer owner s manual designed more by lawyers than boat owners these days covers It will take you through the basics of maintaining and repairing your motor step by step to help you understand what the factory trained mechanics already know by heart Page 1 2 *Volvo Penta Service & Overhaul Manual* Alan T. Burgess,1976 **VOLVO**

PENTA MD 5 Volvo Penta,2015-04-13 **Volvo Penta MD2010, MD2020, MD2030, MD2040** N N,2012-05 Workshop Manual for Volvo Penta Marine Engines MD2010 MD2020 MD2030 MD2040 **VOLVO PENTA MD2010, MD2020,**

MD2030, MD2040 Volvo Penta,2014-03-02 **Volvo Penta Service and Overhaul Manual** A. T. Burgess,1994

VOLVO PENTA MD 11C, C, MD 17C, D Volvo Penta,2014-03-01 Seloc's Volvo Penta Stern Drive Joan Coles,Clarence W. Coles,1984 *Workshop Manual* Volvo Penta (Firm),1970 *Workshop Manual* Volvo Penta (Firm),1970

Volvo-Penta Stern Drives, 1992-93 Joan Coles,Clarence W. Coles,1998-03 SELOC Marine maintenance and repair manuals offer the most comprehensive authoritative information available for outboard inboard stern drive and diesel engines as well as personal watercraft SELOC has been the leading source of how to information for the marine industry since 1974 Designed and written to serve the needs of the professional mechanic do it yourself boat enthusiast instructor and student these manuals are based on actual teardowns done by Chilton Marine s editors authors in our on site facility Providing complete coverage on everything from basic maintenance to engine overhaul every manual features Simple to follow step by step illustrated procedures Hundreds of exploded drawings photographs and tables Troubleshooting sections accurate specifications and wiring diagrams Recognized and used by technical trade schools as well as the U S military Covers all Single SP and Duo Prop DP models powered by Volvo 4 cylinder engines Over 750 illustrations Workshop Manual ,1985 Pub no 77300424 **Service Mannual for Volvo-Penta Diesel Engines** Volvo Penta (Firm). Technical Publications Department,1960* Service manual for automotive version of D67C engine fitted in L485 truck **Volvo-Penta Stern Drives, 1968-1991** Nichols / Seloc,1998-03 SELOC Marine maintenance and repair manuals offer the most comprehensive authoritative information available for outboard inboard stern drive and diesel engines as well as personal watercraft SELOC has been the leading source of how to information for the marine industry since 1974 Designed and written to serve the needs of the professional mechanic do it yourself boat enthusiast instructor and student these manuals are based on actual teardowns done by Chilton Marine s editors authors in our on site facility Providing complete coverage on everything from basic maintenance to engine overhaul every manual features Simple to follow step by step illustrated procedures Hundreds of exploded drawings photographs and tables Troubleshooting sections accurate specifications and wiring diagrams Recognized and used by technical trade schools as well as the U S military Covers all Single SP and Duo Prop DP models powered by Ford GM or Volvo 4 cylinder V6 and V8 engines Over 1 375 illustrations **Service Manual,**

2001, 2002, 2003 Volvo Penta (Firm),1984 Workshop Manual ,1984 *Volvo Penta Stern Drive Shop Manual*
2001-2004 Penton Staff,2000-05-24 30GS 3 0L in line 4 cylinder 135 HP 43GL 4 3L V 6 160 HP 43GI 4 3L V 6 180 HP 43GXI
4 3L V 6 210 HP 50GL 5 0L V 8 220 HP 50GI 5 0L V 8 250 HP 50GXI 5 0L V 8 270 HP 57GS 5 7L V 8 225 HP 57GS 5 7L V 8
250 HP 57GSI 5 7L V 8 280 H *Volvo Service Manual* Volvo, Aktiebolaget,1962 **Volvo Penta Stern Drives, 1992-03**
Repair Manual Kevin M. G. Maher,1998 **Seloc's Volvo Penta Stern Drive Tune-up and Repair Manual** Clarence W.
Coles,Joan Coles,1983

Unveiling the Magic of Words: A Report on "**Volvo Penta D13 Service Manual**"

In a global defined by information and interconnectivity, the enchanting power of words has acquired unparalleled significance. Their capability to kindle emotions, provoke contemplation, and ignite transformative change is really awe-inspiring. Enter the realm of "**Volvo Penta D13 Service Manual**," a mesmerizing literary masterpiece penned by way of a distinguished author, guiding readers on a profound journey to unravel the secrets and potential hidden within every word. In this critique, we shall delve to the book is central themes, examine its distinctive writing style, and assess its profound effect on the souls of its readers.

https://ftp.barnabastoday.com/About/browse/index.jsp/turbo_gt_5000_mini_motorcycle.pdf

Table of Contents Volvo Penta D13 Service Manual

1. Understanding the eBook Volvo Penta D13 Service Manual
 - The Rise of Digital Reading Volvo Penta D13 Service Manual
 - Advantages of eBooks Over Traditional Books
2. Identifying Volvo Penta D13 Service Manual
 - Exploring Different Genres
 - Considering Fiction vs. Non-Fiction
 - Determining Your Reading Goals
3. Choosing the Right eBook Platform
 - Popular eBook Platforms
 - Features to Look for in an Volvo Penta D13 Service Manual
 - User-Friendly Interface
4. Exploring eBook Recommendations from Volvo Penta D13 Service Manual
 - Personalized Recommendations
 - Volvo Penta D13 Service Manual User Reviews and Ratings
 - Volvo Penta D13 Service Manual and Bestseller Lists

5. Accessing Volvo Penta D13 Service Manual Free and Paid eBooks
 - Volvo Penta D13 Service Manual Public Domain eBooks
 - Volvo Penta D13 Service Manual eBook Subscription Services
 - Volvo Penta D13 Service Manual Budget-Friendly Options
6. Navigating Volvo Penta D13 Service Manual eBook Formats
 - ePub, PDF, MOBI, and More
 - Volvo Penta D13 Service Manual Compatibility with Devices
 - Volvo Penta D13 Service Manual Enhanced eBook Features
7. Enhancing Your Reading Experience
 - Adjustable Fonts and Text Sizes of Volvo Penta D13 Service Manual
 - Highlighting and Note-Taking Volvo Penta D13 Service Manual
 - Interactive Elements Volvo Penta D13 Service Manual
8. Staying Engaged with Volvo Penta D13 Service Manual
 - Joining Online Reading Communities
 - Participating in Virtual Book Clubs
 - Following Authors and Publishers Volvo Penta D13 Service Manual
9. Balancing eBooks and Physical Books Volvo Penta D13 Service Manual
 - Benefits of a Digital Library
 - Creating a Diverse Reading Collection Volvo Penta D13 Service Manual
10. Overcoming Reading Challenges
 - Dealing with Digital Eye Strain
 - Minimizing Distractions
 - Managing Screen Time
11. Cultivating a Reading Routine Volvo Penta D13 Service Manual
 - Setting Reading Goals Volvo Penta D13 Service Manual
 - Carving Out Dedicated Reading Time
12. Sourcing Reliable Information of Volvo Penta D13 Service Manual
 - Fact-Checking eBook Content of Volvo Penta D13 Service Manual
 - Distinguishing Credible Sources
13. Promoting Lifelong Learning

- Utilizing eBooks for Skill Development
 - Exploring Educational eBooks
14. Embracing eBook Trends
- Integration of Multimedia Elements
 - Interactive and Gamified eBooks

Volvo Penta D13 Service Manual Introduction

In this digital age, the convenience of accessing information at our fingertips has become a necessity. Whether its research papers, eBooks, or user manuals, PDF files have become the preferred format for sharing and reading documents. However, the cost associated with purchasing PDF files can sometimes be a barrier for many individuals and organizations. Thankfully, there are numerous websites and platforms that allow users to download free PDF files legally. In this article, we will explore some of the best platforms to download free PDFs. One of the most popular platforms to download free PDF files is Project Gutenberg. This online library offers over 60,000 free eBooks that are in the public domain. From classic literature to historical documents, Project Gutenberg provides a wide range of PDF files that can be downloaded and enjoyed on various devices. The website is user-friendly and allows users to search for specific titles or browse through different categories. Another reliable platform for downloading Volvo Penta D13 Service Manual free PDF files is Open Library. With its vast collection of over 1 million eBooks, Open Library has something for every reader. The website offers a seamless experience by providing options to borrow or download PDF files. Users simply need to create a free account to access this treasure trove of knowledge. Open Library also allows users to contribute by uploading and sharing their own PDF files, making it a collaborative platform for book enthusiasts. For those interested in academic resources, there are websites dedicated to providing free PDFs of research papers and scientific articles. One such website is Academia.edu, which allows researchers and scholars to share their work with a global audience. Users can download PDF files of research papers, theses, and dissertations covering a wide range of subjects. Academia.edu also provides a platform for discussions and networking within the academic community. When it comes to downloading Volvo Penta D13 Service Manual free PDF files of magazines, brochures, and catalogs, Issuu is a popular choice. This digital publishing platform hosts a vast collection of publications from around the world. Users can search for specific titles or explore various categories and genres. Issuu offers a seamless reading experience with its user-friendly interface and allows users to download PDF files for offline reading. Apart from dedicated platforms, search engines also play a crucial role in finding free PDF files. Google, for instance, has an advanced search feature that allows users to filter results by file type. By specifying the file type as "PDF," users can find websites that offer free PDF downloads on a specific topic. While downloading Volvo Penta D13 Service Manual free PDF files is

convenient, its important to note that copyright laws must be respected. Always ensure that the PDF files you download are legally available for free. Many authors and publishers voluntarily provide free PDF versions of their work, but its essential to be cautious and verify the authenticity of the source before downloading Volvo Penta D13 Service Manual. In conclusion, the internet offers numerous platforms and websites that allow users to download free PDF files legally. Whether its classic literature, research papers, or magazines, there is something for everyone. The platforms mentioned in this article, such as Project Gutenberg, Open Library, Academia.edu, and Issuu, provide access to a vast collection of PDF files. However, users should always be cautious and verify the legality of the source before downloading Volvo Penta D13 Service Manual any PDF files. With these platforms, the world of PDF downloads is just a click away.

FAQs About Volvo Penta D13 Service Manual Books

How do I know which eBook platform is the best for me? Finding the best eBook platform depends on your reading preferences and device compatibility. Research different platforms, read user reviews, and explore their features before making a choice. Are free eBooks of good quality? Yes, many reputable platforms offer high-quality free eBooks, including classics and public domain works. However, make sure to verify the source to ensure the eBook credibility. Can I read eBooks without an eReader? Absolutely! Most eBook platforms offer webbased readers or mobile apps that allow you to read eBooks on your computer, tablet, or smartphone. How do I avoid digital eye strain while reading eBooks? To prevent digital eye strain, take regular breaks, adjust the font size and background color, and ensure proper lighting while reading eBooks. What the advantage of interactive eBooks? Interactive eBooks incorporate multimedia elements, quizzes, and activities, enhancing the reader engagement and providing a more immersive learning experience. Volvo Penta D13 Service Manual is one of the best book in our library for free trial. We provide copy of Volvo Penta D13 Service Manual in digital format, so the resources that you find are reliable. There are also many Ebooks of related with Volvo Penta D13 Service Manual. Where to download Volvo Penta D13 Service Manual online for free? Are you looking for Volvo Penta D13 Service Manual PDF? This is definitely going to save you time and cash in something you should think about. If you trying to find then search around for online. Without a doubt there are numerous these available and many of them have the freedom. However without doubt you receive whatever you purchase. An alternate way to get ideas is always to check another Volvo Penta D13 Service Manual. This method for see exactly what may be included and adopt these ideas to your book. This site will almost certainly help you save time and effort, money and stress. If you are looking for free books then you really should consider finding to assist you try this. Several of Volvo Penta D13 Service Manual are for sale to free while some are payable. If you arent sure if the books you would like to download works with for usage along with your computer, it is possible to download free trials. The free

guides make it easy for someone to free access online library for download books to your device. You can get free download on free trial for lots of books categories. Our library is the biggest of these that have literally hundreds of thousands of different products categories represented. You will also see that there are specific sites catered to different product types or categories, brands or niches related with Volvo Penta D13 Service Manual. So depending on what exactly you are searching, you will be able to choose e books to suit your own need. Need to access completely for Campbell Biology Seventh Edition book? Access Ebook without any digging. And by having access to our ebook online or by storing it on your computer, you have convenient answers with Volvo Penta D13 Service Manual To get started finding Volvo Penta D13 Service Manual, you are right to find our website which has a comprehensive collection of books online. Our library is the biggest of these that have literally hundreds of thousands of different products represented. You will also see that there are specific sites catered to different categories or niches related with Volvo Penta D13 Service Manual So depending on what exactly you are searching, you will be able to choose ebook to suit your own need. Thank you for reading Volvo Penta D13 Service Manual. Maybe you have knowledge that, people have search numerous times for their favorite readings like this Volvo Penta D13 Service Manual, but end up in harmful downloads. Rather than reading a good book with a cup of coffee in the afternoon, instead they juggled with some harmful bugs inside their laptop. Volvo Penta D13 Service Manual is available in our book collection an online access to it is set as public so you can download it instantly. Our digital library spans in multiple locations, allowing you to get the most less latency time to download any of our books like this one. Merely said, Volvo Penta D13 Service Manual is universally compatible with any devices to read.

Find Volvo Penta D13 Service Manual :

turbo gt 5000 mini motorcycle

truth stained lies moonlighters series

ttx fork manual ktm

trx500fa fga fourtrax foreman rubicon 2004 owners manual

tu corazon en un cofre lumen ilustrados

turn of the century fashion patterns and tailoring techniques

[tsi english study guide](#)

[troy bilt pressure washer 2550 owners manual](#)

tu es parti baladi mireille

troy bilt pony manual

[troy bilt manuals pony](#)

[troskompas voorpl mina mouskouri](#)

[tssm biology downlod](#)

[turkey the quest for identity short histories](#)

[tsahal nueva historia del ejercito de israel](#)

Volvo Penta D13 Service Manual :

Kenda Finch - Gizmos Paramecium Homeostasis Virtual ... On Studocu you find all the lecture notes, summaries and study guides you need to pass your exams with better grades. Paramecium Homeostasis SE - Name This the answer key for the gizmo. Subject. Biology. 999+ Documents. Students shared ... diffusion across a semipermeable membrane virtual lab. Related documents. Paramecium Homeostasis Virtual Lab Explore paramecium homeostasis with ExploreLearning Gizmos. Students discover how these microorganisms maintain stability in their aquatic world and more! Paramecium Virtual Lab.pdf - Virtual Lab: Population... View Lab - Paramecium Virtual Lab.pdf from BIOL 100 at Truman State University. Virtual Lab: Population Biology How to get there: (www.boil.co.paramec1). Virtual Lab Answer Key.doc - Virtual Lab: Population... This experiment is to observe the competition between the growth of Paramecium Aurelia and paramecium caudatum . This experiment will determine the number of ... Paramecium lab Handout to go with a virtual lab about paramecium growth. The objectives of this virtual lab are: Demonstrate how competition for ... Population Biology Purpose In this investigation you will conduct an experiment and grow two species of the protozoan Paramecium, alone and together. Paramecium lab Population Growth & Competition Paramecium digital virtual interactive lab · Get it Down To a Science · Biology, Earth Sciences, Science. Paramecium Competition Simulation Full | PDF | Ecology Virtual Lab: Population Biology - Competition between. Paramecium sp 1. Open the Virtual Lab entitled "Population Biology": Kaupunki 5 Jaa muille! Kato muutki! 8 helmikuun, 2019. Yhyy muori · Lue lisää. 8 helmikuun, 2019. Vihaan maanantaita · Lue lisää. 8 helmikuun, 2019 ... Kiroileva siili. 5 - Milla Paloniemi | Osta Antikvaarista Kiroileva siili. 5 on teos tekijältä Milla Paloniemi. Tilaa Kiroileva siili. 5 Antikvaari.fi:stä. Hinta alkaen 4,00 €. Löydät meiltä uusia sekä käytettyjä ... Kiroileva siili Series by Milla Paloniemi Book 3. Kiroileva siili · 3.74 · 54 Ratings · published 2009 ; Book 4. Kiroileva siili · 3.59 · 44 Ratings · 1 Reviews · published 2010 ; Book 5. Kiroileva siili. Kiroileva siili 5 - Paloniemi Milla Kiroileva siili 5. Kiroileva siili 5. Kirjailija: Paloniemi Milla. Kustantaja: Sammakko (2011). Sidosasu: Sidottu - 96 sivua. Painos: 1. Kieli ... Kiroileva siili 5 - Paloniemi, Milla - 9789524831741 Kiroileva siili 5. Paloniemi, Milla. Räväkkä ja yhä vain suosittu pihaeläin on ehtinyt jo viidenteen albumiinsa. Muhkea tarjoilu tuoreita ja räväköitä ... Kiroileva siili № 5 - Paloniemi, Milla - Kunto Nimi. Kiroileva siili № 5 · Tekijä. Paloniemi, Milla · Kunto. K4 (Erinomainen) · Julkaisija. Sammakko · Julkaistu. 2011 · Painos. 1. · ISBN. 978-952-483-174-1. Myyrä 5 Jaa muille! Kato muutki! 8 helmikuun, 2019. Yhyy muori · Lue lisää. 8 helmikuun, 2019. Vihaan maanantaita · Lue lisää. 8 helmikuun, 2019 ... Kiroileva Siili

Kiroileva Siili 5 can effortlessly discover Kiroileva Siili Kiroileva Siili 5 and download Kiroileva Siili Kiroileva Siili 5 eBooks. Our search and categorization features ... Milla Paloniemi : Kiroileva siili 5 Kirjailijan Milla Paloniemi käytetty kirja Kiroileva siili 5. Skip to the beginning of the images gallery. Milla Paloniemi : Kiroileva siili 5. Alkaen 7,50 ... Spanish 2 Cuaderno de Vocabulario y Gramática - 1st ... Our resource for Expresate!: Spanish 2 Cuaderno de Vocabulario y Gramática includes answers to chapter exercises, as well as detailed information to walk you ... Chapter 3 Pueblos y Ciudades Vocabulary 2 Flashcards Perdón. Pardon me or Excuse me. perderse. to get lost. UXWizz Sp.2ROJO:Capitulo 3 Pueblos y Ciudades Writing activity in textbook. Read Cultura—Comparaciones on pages 96 and 97 of the text. Then complete the comprehension questions on page 97 (Para comprender & ... Holt spanish 2 answer key: Fill out & sign online Adhere to the instructions below to complete Holt spanish 2 answer key pdf online easily and quickly: Sign in to your account. Sign up with your credentials or ... Pueblo o ciudad que modelo conocí la ciudad de santo Pueblo o ciudad que MODELO Conocí la ciudad de Santo Domingo conocí Qué tuve from SPANISH spanish2 at Lake Mary High School. 1556896815.pdf deberíamos ofrecernos de volunta- rios y servir de guías... —Mira, no es mala idea... ¿Vamos a la próxima sala? -¡Adelante! ANSWERS: 1. B; 2. A; 3. C; 4. D ... Spanish 3 CVG Answers SPANish 3 CVG Answers. All right here. Free. In Progress... Chapter 1. Chapter 2. Chapter 3 1. Los inmigrantes van ahora a pueblos y ciudades del ... Sep 20, 2019 — 2. The state provides help to immigrants in the support network ... New questions in Spanish. Read each sentence carefully and select the ...