

Product Overview

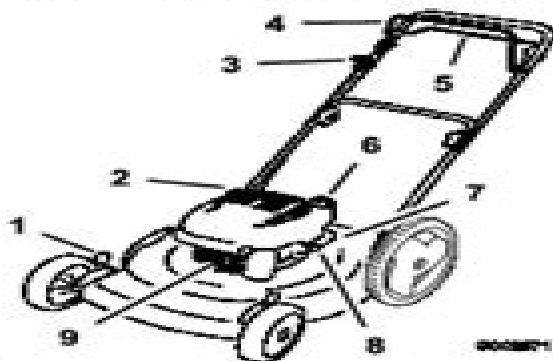


Figure 7

- | | |
|--------------------------|-------------------------|
| 1. Cutting height lever | 8. P.V.S. Fuel tank cap |
| 2. Oil fill/dipstick | 9. Air filter |
| 3. Recoil start handle | Primer |
| 4. Blade control bar | Spark plug |
| 5. Self-propel drive bar | |



Figure 8

1. Grass bag
2. Side discharge chute



3. Rear discharge plug (installed)

Operation

Filling the Fuel Tank

Gasoline is extremely flammable and explosive. A fire or explosion from gasoline can harm you and others.

- To prevent a static charge from igniting the gasoline, place the container and/or mower directly on the ground before filling, not in a vehicle or on an object.
- Fill the tank outdoors when the engine is cold. Wipe up spills.
- Do not handle gasoline when smoking or around an open flame or spark.
- Store gasoline in an approved fuel container, out of the reach of children.

Fill the fuel tank with fresh unleaded regular gasoline from a major name-brand service station (Figure 9).

Important: To reduce starting problems, add fuel stabilizer to the fuel all season, mixing it with gasoline less than 30 days old.

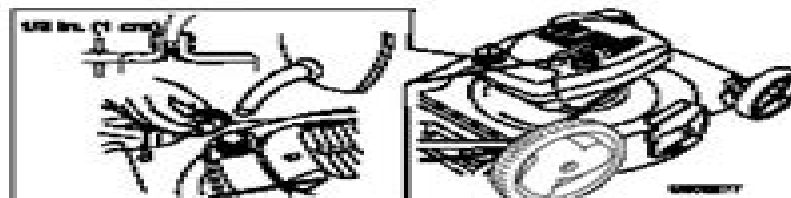


Figure 9

Toro Recycler Gts Manual

F Rizvi



Toro Recycler Gts Manual:

Minnesota Criminal Justice Reporting System Operating Manual Minnesota. Criminal Justice Information Section,1978 *Popular Science* ,1991-01 Popular Science gives our readers the information and tools to improve their technology and their world The core belief that Popular Science and our readers share The future is going to be better and science and technology are the driving forces that will help make it better Popular Science ,1991 *Kiplinger's Personal Finance* ,1980-03 The most trustworthy source of information available today on savings and investments taxes money management home ownership and many other personal finance topics **Changing Times** ,1980-02 **Best Buy Book 2003** Consumer Guide,Consumer Guide Editors,2003-03 Easy to understand reviews by impartial experts provide the most up to date information available including specifications warranties and detailed features on electronics computers cellular telephones kitchen appliances and other products **Maintenance Manual** General Motors Corporation. GMC Truck & Coach Division,1966 *Toro-flow Diesel Engine* General Motors Corporation. GMC Truck & Coach Division,1965

Uncover the mysteries within its enigmatic creation, Embark on a Mystery with **Toro Recycler Gts Manual** . This downloadable ebook, shrouded in suspense, is available in a PDF format (PDF Size: *). Dive into a world of uncertainty and anticipation. Download now to unravel the secrets hidden within the pages.

<https://ftp.barnabastoday.com/data/browse/HomePages/Tsunami%20Digital%20Sound%20Decoder%20Diesel%20Sound%20Users%20Guide.pdf>

Table of Contents Toro Recycler Gts Manual

1. Understanding the eBook Toro Recycler Gts Manual
 - The Rise of Digital Reading Toro Recycler Gts Manual
 - Advantages of eBooks Over Traditional Books
2. Identifying Toro Recycler Gts Manual
 - Exploring Different Genres
 - Considering Fiction vs. Non-Fiction
 - Determining Your Reading Goals
3. Choosing the Right eBook Platform
 - Popular eBook Platforms
 - Features to Look for in an Toro Recycler Gts Manual
 - User-Friendly Interface
4. Exploring eBook Recommendations from Toro Recycler Gts Manual
 - Personalized Recommendations
 - Toro Recycler Gts Manual User Reviews and Ratings
 - Toro Recycler Gts Manual and Bestseller Lists
5. Accessing Toro Recycler Gts Manual Free and Paid eBooks
 - Toro Recycler Gts Manual Public Domain eBooks
 - Toro Recycler Gts Manual eBook Subscription Services
 - Toro Recycler Gts Manual Budget-Friendly Options

6. Navigating Toro Recycler Gts Manual eBook Formats
 - ePub, PDF, MOBI, and More
 - Toro Recycler Gts Manual Compatibility with Devices
 - Toro Recycler Gts Manual Enhanced eBook Features
7. Enhancing Your Reading Experience
 - Adjustable Fonts and Text Sizes of Toro Recycler Gts Manual
 - Highlighting and Note-Taking Toro Recycler Gts Manual
 - Interactive Elements Toro Recycler Gts Manual
8. Staying Engaged with Toro Recycler Gts Manual
 - Joining Online Reading Communities
 - Participating in Virtual Book Clubs
 - Following Authors and Publishers Toro Recycler Gts Manual
9. Balancing eBooks and Physical Books Toro Recycler Gts Manual
 - Benefits of a Digital Library
 - Creating a Diverse Reading Collection Toro Recycler Gts Manual
10. Overcoming Reading Challenges
 - Dealing with Digital Eye Strain
 - Minimizing Distractions
 - Managing Screen Time
11. Cultivating a Reading Routine Toro Recycler Gts Manual
 - Setting Reading Goals Toro Recycler Gts Manual
 - Carving Out Dedicated Reading Time
12. Sourcing Reliable Information of Toro Recycler Gts Manual
 - Fact-Checking eBook Content of Toro Recycler Gts Manual
 - Distinguishing Credible Sources
13. Promoting Lifelong Learning
 - Utilizing eBooks for Skill Development
 - Exploring Educational eBooks
14. Embracing eBook Trends
 - Integration of Multimedia Elements

- Interactive and Gamified eBooks

Toro Recycler Gts Manual Introduction

In today's digital age, the availability of Toro Recycler Gts Manual books and manuals for download has revolutionized the way we access information. Gone are the days of physically flipping through pages and carrying heavy textbooks or manuals. With just a few clicks, we can now access a wealth of knowledge from the comfort of our own homes or on the go. This article will explore the advantages of Toro Recycler Gts Manual books and manuals for download, along with some popular platforms that offer these resources. One of the significant advantages of Toro Recycler Gts Manual books and manuals for download is the cost-saving aspect. Traditional books and manuals can be costly, especially if you need to purchase several of them for educational or professional purposes. By accessing Toro Recycler Gts Manual versions, you eliminate the need to spend money on physical copies. This not only saves you money but also reduces the environmental impact associated with book production and transportation. Furthermore, Toro Recycler Gts Manual books and manuals for download are incredibly convenient. With just a computer or smartphone and an internet connection, you can access a vast library of resources on any subject imaginable. Whether you're a student looking for textbooks, a professional seeking industry-specific manuals, or someone interested in self-improvement, these digital resources provide an efficient and accessible means of acquiring knowledge. Moreover, PDF books and manuals offer a range of benefits compared to other digital formats. PDF files are designed to retain their formatting regardless of the device used to open them. This ensures that the content appears exactly as intended by the author, with no loss of formatting or missing graphics. Additionally, PDF files can be easily annotated, bookmarked, and searched for specific terms, making them highly practical for studying or referencing. When it comes to accessing Toro Recycler Gts Manual books and manuals, several platforms offer an extensive collection of resources. One such platform is Project Gutenberg, a nonprofit organization that provides over 60,000 free eBooks. These books are primarily in the public domain, meaning they can be freely distributed and downloaded. Project Gutenberg offers a wide range of classic literature, making it an excellent resource for literature enthusiasts. Another popular platform for Toro Recycler Gts Manual books and manuals is Open Library. Open Library is an initiative of the Internet Archive, a non-profit organization dedicated to digitizing cultural artifacts and making them accessible to the public. Open Library hosts millions of books, including both public domain works and contemporary titles. It also allows users to borrow digital copies of certain books for a limited period, similar to a library lending system. Additionally, many universities and educational institutions have their own digital libraries that provide free access to PDF books and manuals. These libraries often offer academic texts, research papers, and technical manuals, making them invaluable resources for students and researchers. Some notable examples include MIT OpenCourseWare, which offers free access to course materials from the Massachusetts Institute of

Technology, and the Digital Public Library of America, which provides a vast collection of digitized books and historical documents. In conclusion, Toro Recycler Gts Manual books and manuals for download have transformed the way we access information. They provide a cost-effective and convenient means of acquiring knowledge, offering the ability to access a vast library of resources at our fingertips. With platforms like Project Gutenberg, Open Library, and various digital libraries offered by educational institutions, we have access to an ever-expanding collection of books and manuals. Whether for educational, professional, or personal purposes, these digital resources serve as valuable tools for continuous learning and self-improvement. So why not take advantage of the vast world of Toro Recycler Gts Manual books and manuals for download and embark on your journey of knowledge?

FAQs About Toro Recycler Gts Manual Books

How do I know which eBook platform is the best for me? Finding the best eBook platform depends on your reading preferences and device compatibility. Research different platforms, read user reviews, and explore their features before making a choice. Are free eBooks of good quality? Yes, many reputable platforms offer high-quality free eBooks, including classics and public domain works. However, make sure to verify the source to ensure the eBook credibility. Can I read eBooks without an eReader? Absolutely! Most eBook platforms offer web-based readers or mobile apps that allow you to read eBooks on your computer, tablet, or smartphone. How do I avoid digital eye strain while reading eBooks? To prevent digital eye strain, take regular breaks, adjust the font size and background color, and ensure proper lighting while reading eBooks. What the advantage of interactive eBooks? Interactive eBooks incorporate multimedia elements, quizzes, and activities, enhancing the reader engagement and providing a more immersive learning experience. Toro Recycler Gts Manual is one of the best book in our library for free trial. We provide copy of Toro Recycler Gts Manual in digital format, so the resources that you find are reliable. There are also many Ebooks of related with Toro Recycler Gts Manual. Where to download Toro Recycler Gts Manual online for free? Are you looking for Toro Recycler Gts Manual PDF? This is definitely going to save you time and cash in something you should think about.

Find Toro Recycler Gts Manual :

tsunami digital sound decoder diesel sound users guide

[trx450fm fourtrax foreman fm year 2004 owners manual](#)

[ts400 manual](#)

ttr110 service manual

tumor associated antigens identification characterization and clinical applications

ts420 stihl repair manual

troubleshooting and repairing major appliances

trx manual and dvd

tu tueras p re sandrone dazieri

true love by isaac asimov

tuinkruiden teelt gebruikrecepten

tunnel time of death

troy bilt mowers owners manual

trying times alabama photographs 1917 1945

trusting god for everything psalm 23 a personal retreat guide prayer retreat guides

Toro Recycler Gts Manual :

ams 2430 shot peening automatic document center inc - Aug 09 2022

web revision t shot peening automatic jan 28 2015 revision s shot peening automatic july 23 2012 revision r shot peening automatic jan 1 2010 revision p shot peening automatic march 1 2009 revision n shot peening automatic june 1 2008

sae ams2430 shot peening ihs markit standards store - Apr 17 2023

web sae ams2430 revision u april 2018 shot peening purpose this specification covers the requirements for shot peening of surfaces of parts by impingement of media including metallic glass or ceramic shot read more

sae ams 2430 u 2018 shot peening sai global store - Feb 15 2023

web jul 25 2018 this specification covers the requirements for shot peening of surfaces of parts by impingement of media including metallic glass or ceramic shot general product information show below hide below

sae ams 2430 2015 shot peening sai global store - Mar 04 2022

web jan 1 2015 specifies the requirements for shot peening of surfaces of parts by impingement of media including metallic glass or ceramic shot general product information show below hide below

ams2430j shot peening automatic sae international - Apr 05 2022

web this specification covers the engineering requirements for automatic peening of surfaces of parts by impingement of metallic shot glass beads or ceramic shot to induce residual compressive stress in surface layers of parts thereby increasing fatigue strength and resistance to stress corrosion c

[ams2430u shot peening sae international](#) - Sep 22 2023

web jan 15 2010 this specification covers the requirements for shot peening of surfaces of parts by impingement of media including metallic glass or ceramic shot ams2430u 2018 04 09 latest

[sae ams2430u techstreet](#) - Nov 12 2022

web apr 9 2018 this specification covers the requirements for automatic shot peening of surfaces of parts by impingement of media including metallic glass or ceramic shot product details published 04 09 2018 number of pages 19 file size 1

shot peening process controls ensure repeatable results - Dec 13 2022

web ams 2430 shot peening 2 1 shot peening 3 ams 2431 peening media 2 a new specification is almost ready for publication by the sae entitled computer monitored shot peening it will in all likelihood have the designation ams 2432 over the years these specifications have become increasingly stringent

ams2430 shot peening automatic sae international - Oct 23 2023

web jan 15 2010 this specification covers the engineering requirements for automatic peening of surfaces of parts by impingement of metallic shot glass beads or ceramic shot to induce residual compressive stress in surface layers of parts thereby increasing fatigue strength and resistance to stress corrosion c

ams 2430 shot peening automatic document center inc - Oct 11 2022

web this specification covers the requirements for automatic shot peening of surfaces of parts by impingement of media including metallic glass or ceramic shot to find similar documents by federal supply class code fsc standardization area mffp metal finishes and finishing processes and procedures

sae ams 2430t 2015 sae ams2430t 2015 shot peening - Jan 14 2023

web sae ams 2430t 2015 sae ams2430t 2015 shot peening automatic this specification covers the requirements for automatic shot peening of surfaces of parts by impingement of media including metallic glass or ceramic shot

aerospace ams2430 rev u material specification - Jun 19 2023

web 1 3 related peening processes such as peen forming and straightening peening for prevention of intergranular corrosion and peening to produce a surface texture are beyond the scope of this specification 1 4 shot peening in accordance with ams2432 meets or exceeds the requirements of ams2430

sae ams2430 r shot peening automatic globalspec - May 18 2023

web jul 1 2012 sae ams2432 r shot peening computer monitored published by sae on february 1 2013 purpose this specification establishes the requirements for computer monitored shot peening of part surfaces by impingement of media including metallic glass or ceramic shot computer monitored

[ams2430s shot peening automatic sae international](#) - Jun 07 2022

web jan 15 2010 ams2430s this specification covers the requirements for automatic shot peening of surfaces of parts by impingement of media including metallic glass or ceramic shot ams2430u

aerospace shot peening practices and nadcap - Jul 20 2023

web sae then introduced its version of shot peening process control in 1948 with its release of ams 2430 sae then published two documents to control the process test strip holder and gage 3 and use of test strip for shot peening 4 in 1952

ams2430l shot peening sae international - May 06 2022

web jul 1 1993 this specification covers the engineering requirements for peening surfaces of parts by impingement of metallic shot glass beads and ceramic shot to induce residual compressive stress in surface layers of parts thereby increasing fatigue strength and resistance to stress corrosion cracking

sae ams 2430 shot peening 2018 pdf kreisler publications - Sep 10 2022

web sae ams2430 shot peening covers the requirements for automatic shot peening of surfaces of parts by impingement of media including metallic glass or ceramic shot sae ams2430u

sae ams 2430 2015 shot peening sai global store - Mar 16 2023

web sae ams 2430 2015 superseded add to watchlist shot peening available format s hardcopy pdf superseded date 15 04 2018 language s english published date 01 01 2015 publisher sae international table of contents abstract general product information standards referenced by this book standards referencing this book

pdf ams 2430 shot peening cyberlab sutd edu sg - Jul 08 2022

web ams 2430 shot peening bibliography on the fatigue of materials components and structures apr 05 2021 bibliography on the fatigue of materials components and structures 1838 1950 is a bibliographic guide to references on the fatigue of materials components and structures the materials listed in this bibliography were published

ams2430n shot peening automatic sae international - Aug 21 2023

web jun 3 2008 ams2430n this specification covers the engineering requirements for automatic peening of surfaces of parts by impingement of metallic shot glass beads or ceramic shot ams2430u

asrar e ruhaniyat help environment harvard edu - Mar 11 2023

web asrar e ruhaniyat recognizing the mannerism ways to get this books asrar e ruhaniyat is additionally useful you have remained in right site to begin getting this info acquire the asrar e ruhaniyat belong to that we present here and check out the link you could purchase guide asrar e ruhaniyat or acquire it as soon as feasible

asrar e ruhaniyat uniport edu ng - Feb 27 2022

web aug 21 2023 asrar e ruhaniyat 1 1 downloaded from uniport edu ng on august 21 2023 by guest asrar e ruhaniyat as recognized adventure as skillfully as experience approximately lesson amusement as skillfully as conformity can be gotten by

just checking out a book asrar e ruhaniyat after that it is not directly done you could receive

asrar e ruhaniyat uniport edu ng - Dec 28 2021

web may 12 2023 asrar e ruhaniyat 1 9 downloaded from uniport edu ng on may 12 2023 by guest asrar e ruhaniyat if you ally compulsion such a referred asrar e ruhaniyat books that will present you worth get the enormously best seller from us currently from several preferred authors if you want to humorous books

asrar e ruhaniyat - Mar 31 2022

web asrar e ruhaniyat studentcommutechallenge com anderson anderson architecture asrar e ruhani ruhaniyat maulana kamal ur rahman sahab silsila e kamaliya youtube free book israr e rohaniyat book pdf epub mobi 2005

asrar e ruhaniyat myhome seedsofinnocence com - Sep 05 2022

web asrar e ruhaniyat 1 asrar e ruhaniyat as recognized adventure as without difficulty as experience about lesson amusement as competently as harmony can be gotten by just checking out a books asrar e ruhaniyat as well as it is not directly done you could say you will even more more or less this life as regards the world

esrar bağımlılığı nedir belirtileri ve tedavisi np - May 01 2022

web esrar yoksunluk belirtilerini şu şekilde sıralayabiliriz Öfke gerginlik ya da saldırganlık durumu aşırı stres veya endişe duygusu uyku bozuklukları yeme bozuklukları huzursuzluk ve yorgunluk hissi depresif ruh hali karın ağrısı ateş titreme terleme gibi bedensel değişimler odaklanma problemi

unrar online açık ücretsiz çevrimiçi arşiv rar herhangi - Jan 29 2022

web unrar online a hoş geldiniz Çevrimiçi bir rar dosyasının içeriğine erişmenin en hızlı yolunu sunuyoruz adım 1 bir rar dosyası seçin ve sürükleyin ve bırak veya yükleyin bağlantısını tıklayın veya tıklayın adım 2 ekstraksiyon işlemi

asrar e ruhaniyat youtube - Jul 15 2023

web this channel is dedicated to respected professor muhammad abduallah bhatti ٱٱٱٱٱٱٱٱٱٱ ٱٱٱٱ ٱٱٱٱٱ ٱٱ ٱٱ ٱٱٱٱ ٱٱٱٱٱٱ ٱٱٱٱٱٱ
ٱٱٱٱ ٱٱٱٱ ٱٱٱٱٱ ٱٱٱٱ ٱٱ ٱٱٱٱ ٱٱ

israr e rohaniyat silsila e kamaliya - Jun 14 2023

web by silsilaekamaliya dars e tasawwuf islami bayanaat maulana kamal ur rahman sahab bayanaat silsila e kamaliya taleemat silsila e qadria kamalia tags aalm e islam ki ruhani soor e haal asrar alam asrar e rohaniyat asrar e ruhani asrar e ruhani ruhaniyat asrar e ruhaniyat israr e ruhaniyat israr e haqiqi ٱٱٱٱٱ

faizane ruhaniyat youtube - Dec 08 2022

web official youtube channel of faizan e ruhaniyat reg faizan e ruhaniyat reg is a global non profit islamic spritual organization founded byamil hakeem

asrar e ruhaniyat silsila e kamaliya - Jul 03 2022

web asrar e ruhaniyat silsila e kamaliya asrar e ruhani shah kamal sahab mufassir e quran hazrath maulana shah mohammed kamal ur rahman sahab db son and successor of sultan ul aarifeen hazrath shah sufi ghulam mohammed sahab r a

asrar e ruhaniyat 707 facebook - May 13 2023

web asrar e ruhaniyat 707 dammam saudi arabia 265 likes 354 talking about this this page is dedicated to murshid sarkar professor muhammad abdullah bhatti

asrar e ruhaniyat music school fbny org - Jan 09 2023

web 4 asrar e ruhaniyat 2022 05 11 m in the development of modern shi i theology he shows how an immersion in messianic ideas has shaped the conservative character of much shi i thinking and has prevented it from taking a more progressive course tracing the continuity of apocalyptic trends from the middle ages to the present amanat addresses

esrar wikpedi - Aug 04 2022

web esrar hint keneviri bitkisinin cannabis sativa c indica ve c ruderalis türlerinin dişi eşeyli bitkilerinin tohum yataklarının sömek işlenmesiyle elde edilir bitkinin yapraklarının kurutulup bastırılması suretiyle hazırlanan ve aktif maddesini bu kısımlardan salgılayan reçine içindeki kannabinoidlerin en oluşturduğu

asrar e ruhaniyat home facebook - Apr 12 2023

web asrar e ruhaniyat 266 likes here we ll trying to get back our generation youth to islam with the help of allah tabarak o taala

loading interface goodreads - Nov 07 2022

web discover and share books you love on goodreads

[asrar e ruhaniyat maulana kamal ur rahman sahab](#) - Aug 16 2023

web silsilaekamaliya com bayan by hazrath maulana shah mohammed kamal ur rahman sahab damat barkatuhum

asrar e ruhaniyat spyder adecco com - Oct 06 2022

web asrar e ruhaniyat is available in our book collection an online access to it is set as public so you can download it instantly our digital library spans in multiple locations allowing you to get the most less latency time to download any of our books like this one kindly say the asrar e ruhaniyat is universally compatible with any devices

asrar e ruhaniyat lahore facebook - Jun 02 2022

web asrar e ruhaniyat lahore punjab pakistan 409 likes asrar e ruhaniyat lahore

facebook - Feb 10 2023

web facebook

chapter 19 respiratory system ppt slideshare - Jun 19 2023

web jul 28 2011 chapter 19 respiratory system download as a pdf or view online for free

mcgraw hill respiratory physiology physiology powerpoint slides - May 06 2022

web mcgraw hill respiratory physiology physiology powerpoint slides pdf pages 2 12 mcgraw hill respiratory physiology physiology powerpoint slides pdf upload donald a ferguson 2 12 downloaded from support ortax org on september 11 2023 by donald a ferguson clinical decision trees and algorithms organ specific sections with clinically student ppt mcgraw hill education - Apr 17 2023

web hole s human anatomy and physiology shier 13th edition chapter 21 water electrolyte and acid base balance student ppt 21 student ppt textbook resources preview chapter study on the fly biology and a p prep sites get body smart a p revealed lab exercises atlases case

mcgraw hill respiratory physiology physiology powerpoint slides - Mar 16 2023

web mcgraw hill respiratory physiology physiology powerpoint slides is easy to use in our digital library an online right of entry to it is set as public so you can download it instantly our digital library saves in compound countries allowing you to get the most less latency time to download any of our books in the same way as this one merely

mcgraw hill respiratory physiology physiology powerpoint slides - Nov 12 2022

web 2 mcgraw hill respiratory physiology physiology powerpoint slides 2020 11 30 is context sensitive included are strategies for treating patients in a range of settings from prehospital care to the er as well as proven techniques for special patient populations in addition new chapters have been added to further refresh the book s

mcgraw hill respiratory physiology physiology powerpoint slides - Sep 10 2022

web mcgraw hill respiratory physiology physiology powerpoint slides omb no edited by choi blevins essentials of anatomy and physiology w b saunders company perfect for introductory level students hole s human anatomy and physiology assumes no prior science knowledge by focusing on the fundamentals

mcgraw hill respiratory physiology physiology powerpoint slides - Sep 22 2023

web mcgraw hill respiratory physiology physiology powerpoint slides ready notes to accompany fundamentals of exercise physiology may 03 2023 the ready notes workbook complements the powerpoint presentation that accompanies this text the powerpoint slides used in class are reproduced in the pages of this booklet

mcgraw hill respiratory physiology physiology powerpoint slides - Jul 08 2022

web respiratory physiology jun 03 2023 covering respiratory physiology this is one in a series of texts which takes a fresh unique approach to learning physiology in a systems based curriculum each chapter includes clinical correlations as well as questions that test students ability to integrate information pulmonary physiology ninth edition

[pdf mcgraw hill respiratory physiology physiology powerpoint slides](#) - Mar 04 2022

web mcgraw hill respiratory physiology physiology powerpoint slides anatomy and physiology instructor s resource manual with test bank and powerpoint lecture cd nov

[mcgraw hill respiratory physiology physiology powerpoint slides](#) - Apr 05 2022

web right here we have countless books mcgraw hill respiratory physiology physiology powerpoint slides and collections to check out we additionally allow variant types and plus type of the books to browse

[slideplayer com](#) - Dec 13 2022

web we would like to show you a description here but the site won t allow us

mcgraw hill respiratory physiology physiology powerpoint slides - Feb 15 2023

web mcgraw hill respiratory physiology physiology powerpoint slides common perioperative problems and the anaesthetist jul 20 2021 dr g m woerlee is well known in my department both as a clinician and teacher years of experience have taught him that the problems discussed here have as yet not been treated in this way in any single work

[download solutions mcgraw hill respiratory physiology physiology](#) - Jan 14 2023

web respiratory physiology feb 19 2023 gain a foundational understanding of respiratory physiology and how the respiratory system functions in health and disease respiratory physiology a volume in the mosby physiology series explains the fundamentals of this complex subject in a clear and concise manner while helping you bridge the gap

[mcgraw hill respiratory physiology physiology powerpoint slides](#) - Oct 11 2022

web hole s essentials of human anatomy and physiology mcgraw hill respiratory physiology physiology powerpoint slides downloaded from ce nationalnursesunited org by guest trinity hassan histology the big picture mcgraw hill companies assuming no prior science knowledge this book supports main concepts with clinical applications

[mcgraw hill respiratory physiology physiology powerpoint slides](#) - Oct 23 2023

web april 26th 2017 respiratory anatomy and physiology caia physiology mcgraw hill human anatomy and physiology human anatomy and physiology chapter 1 powerpoint ppt respiratory system mcgraw hill powerpoint download

[function and structure of the respiratory system pulmonary physiology](#) - Jul 20 2023

web describes the structural characteristics of the airways lists the components of the chest wall and relates the functions of the muscles of respiration to the movement of air into and out of the alveoli describes the central nervous system initiation of breathing and the innervation of the respiratory muscles

[ppt respiratory system physiology ppt slideshare](#) - May 18 2023

web dec 28 2012 ppt respiratory system physiology 1 respiratory system 2 two distinct of respiration internal or cellular respiration refers to the intracellular metabolic processes carried out within the mitochondria which use oxygen and produce

carbon dioxide during derivation of energy from nutrient molecules 3 external

mcgraw hill respiratory physiology physiology powerpoint slides - Aug 21 2023

web mcgraw hill respiratory physiology physiology powerpoint slides is at hand in our pdf collection an online access to it is set as public so you can get it instantaneously thats something that will lead you to apprehend even more in the region of the globe wisdom various sites past era

mcgraw hill respiratory physiology physiology powerpoint slides - Jun 07 2022

web pulmonary physiology eighth edition mcgraw hill respiratory physiology physiology powerpoint slides downloaded from eagldemo2 eagltechnology com by guest bowers bradford essentials of sports nutrition and supplements mcgraw hill companies designed for students this innovative text sheds light on the

mcgraw hill respiratory physiology physiology powerpoint slides - Aug 09 2022

web loose leaf for hole s human anatomy physiology modeling and simulation in biomedical engineering applications in cardiorespiratory physiology human anatomy and physiology thoracic anesthesia mcgraw hill respiratory physiology physiology powerpoint slides downloaded from store spiralny com by guest compton lane