

TOSHIBA

SERVICE MANUAL

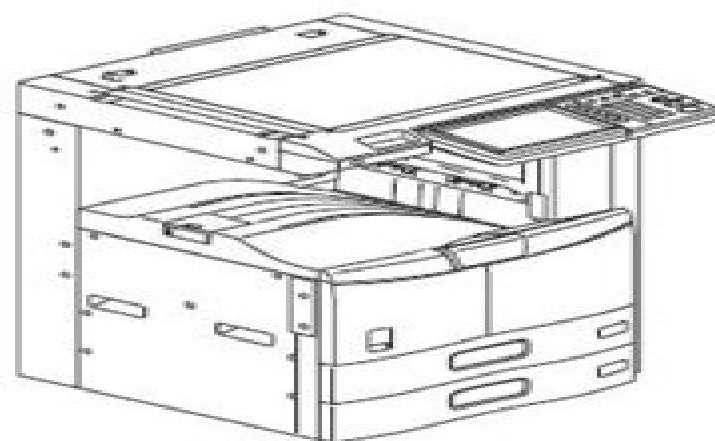
MULTIFUNCTIONAL DIGITAL SYSTEMS

e-STUDIO206L/256/306/356/456/506

e-STUDIO306S/356S/456S

e-STUDIO256SE/306SE/356SE/456SE/506SE

e-STUDIO306SD/356SD/456SD



Toshiba E Studio 356 Service Manual

Roman Wölfel



Toshiba E Studio 356 Service Manual:

Los Angeles Lawyer ,2001 TCI ,1997 *The Gramophone* ,1980 *Gramophone* ,1980-06 *Television Factbook* ,1972 **Stereophile** ,2000 **Modern Photography** ,1987 *British Books in Print* ,1985 **Supplement to Service Manual Types 356A/1600 and 356A/1600 S.** , *Supplement to Service Manual Types 356A /1600, 356A /1600S.*
Porsche (F) KG - Stuttgart,1958 **Service Manual** Porsche (F.) K. G.,1956 *Saab 900 8 Valve* Bentley Publishers,1992
These official Saab manuals are the only factory authorized comprehensive single source of service information and specifications available Whether you re a professional technician or a do it yourselfer these manuals will help you understand care for and repair your Saab Everything from fundamental automotive concepts and maintenance procedures to complex electrical system troubleshooting and complete engine overhaul is clearly explained Critical updates and information from the Saab Service Information Manual the Parts Service Information System and Saab Service Training have been included as well as fast proven repair procedures and tips used by Saab technicians **Workshop Manual** ,1960 **Porsche Workshop Manual, 356A.** ,1956 *Porsche Workshop Manual, Types 356B/1600, 356B/1600S.* Porsche (F) KG - Stuttgart,1960 Service manual, including over 100 pages of theory, information and instructions on testing and repairing of automotive electrical units Burton & Rogers Manufacturing Co., Boston,1928 Service Manual Saturn Corporation,1994
Oldsmobile Service Manual, 1959 General Motors Corporation. Oldsmobile Division. Service Department,1958
Service Manual Studebaker-Packard Corporation. Packard Division,1955 *Oldsmobile Service Manual* ,

Thank you very much for downloading **Toshiba E Studio 356 Service Manual**. Maybe you have knowledge that, people have look numerous times for their chosen novels like this Toshiba E Studio 356 Service Manual, but end up in harmful downloads.

Rather than reading a good book with a cup of tea in the afternoon, instead they are facing with some harmful bugs inside their desktop computer.

Toshiba E Studio 356 Service Manual is available in our digital library an online access to it is set as public so you can download it instantly.

Our book servers saves in multiple countries, allowing you to get the most less latency time to download any of our books like this one.

Merely said, the Toshiba E Studio 356 Service Manual is universally compatible with any devices to read

<https://ftp.barnabastoday.com/data/detail/HomePages/the%20teaching%20of%20english%20as%20an%20international%20language%20a%20practical%20guide.pdf>

Table of Contents Toshiba E Studio 356 Service Manual

1. Understanding the eBook Toshiba E Studio 356 Service Manual
 - The Rise of Digital Reading Toshiba E Studio 356 Service Manual
 - Advantages of eBooks Over Traditional Books
2. Identifying Toshiba E Studio 356 Service Manual
 - Exploring Different Genres
 - Considering Fiction vs. Non-Fiction
 - Determining Your Reading Goals
3. Choosing the Right eBook Platform
 - Popular eBook Platforms
 - Features to Look for in an Toshiba E Studio 356 Service Manual
 - User-Friendly Interface

4. Exploring eBook Recommendations from Toshiba E Studio 356 Service Manual
 - Personalized Recommendations
 - Toshiba E Studio 356 Service Manual User Reviews and Ratings
 - Toshiba E Studio 356 Service Manual and Bestseller Lists
5. Accessing Toshiba E Studio 356 Service Manual Free and Paid eBooks
 - Toshiba E Studio 356 Service Manual Public Domain eBooks
 - Toshiba E Studio 356 Service Manual eBook Subscription Services
 - Toshiba E Studio 356 Service Manual Budget-Friendly Options
6. Navigating Toshiba E Studio 356 Service Manual eBook Formats
 - ePub, PDF, MOBI, and More
 - Toshiba E Studio 356 Service Manual Compatibility with Devices
 - Toshiba E Studio 356 Service Manual Enhanced eBook Features
7. Enhancing Your Reading Experience
 - Adjustable Fonts and Text Sizes of Toshiba E Studio 356 Service Manual
 - Highlighting and Note-Taking Toshiba E Studio 356 Service Manual
 - Interactive Elements Toshiba E Studio 356 Service Manual
8. Staying Engaged with Toshiba E Studio 356 Service Manual
 - Joining Online Reading Communities
 - Participating in Virtual Book Clubs
 - Following Authors and Publishers Toshiba E Studio 356 Service Manual
9. Balancing eBooks and Physical Books Toshiba E Studio 356 Service Manual
 - Benefits of a Digital Library
 - Creating a Diverse Reading Collection Toshiba E Studio 356 Service Manual
10. Overcoming Reading Challenges
 - Dealing with Digital Eye Strain
 - Minimizing Distractions
 - Managing Screen Time
11. Cultivating a Reading Routine Toshiba E Studio 356 Service Manual
 - Setting Reading Goals Toshiba E Studio 356 Service Manual
 - Carving Out Dedicated Reading Time

12. Sourcing Reliable Information of Toshiba E Studio 356 Service Manual
 - Fact-Checking eBook Content of Toshiba E Studio 356 Service Manual
 - Distinguishing Credible Sources
13. Promoting Lifelong Learning
 - Utilizing eBooks for Skill Development
 - Exploring Educational eBooks
14. Embracing eBook Trends
 - Integration of Multimedia Elements
 - Interactive and Gamified eBooks

Toshiba E Studio 356 Service Manual Introduction

In this digital age, the convenience of accessing information at our fingertips has become a necessity. Whether its research papers, eBooks, or user manuals, PDF files have become the preferred format for sharing and reading documents. However, the cost associated with purchasing PDF files can sometimes be a barrier for many individuals and organizations. Thankfully, there are numerous websites and platforms that allow users to download free PDF files legally. In this article, we will explore some of the best platforms to download free PDFs. One of the most popular platforms to download free PDF files is Project Gutenberg. This online library offers over 60,000 free eBooks that are in the public domain. From classic literature to historical documents, Project Gutenberg provides a wide range of PDF files that can be downloaded and enjoyed on various devices. The website is user-friendly and allows users to search for specific titles or browse through different categories. Another reliable platform for downloading Toshiba E Studio 356 Service Manual free PDF files is Open Library. With its vast collection of over 1 million eBooks, Open Library has something for every reader. The website offers a seamless experience by providing options to borrow or download PDF files. Users simply need to create a free account to access this treasure trove of knowledge. Open Library also allows users to contribute by uploading and sharing their own PDF files, making it a collaborative platform for book enthusiasts. For those interested in academic resources, there are websites dedicated to providing free PDFs of research papers and scientific articles. One such website is Academia.edu, which allows researchers and scholars to share their work with a global audience. Users can download PDF files of research papers, theses, and dissertations covering a wide range of subjects. Academia.edu also provides a platform for discussions and networking within the academic community. When it comes to downloading Toshiba E Studio 356 Service Manual free PDF files of magazines, brochures, and catalogs, Issuu is a popular choice. This digital publishing platform hosts a vast collection of publications from around the world. Users can search for specific titles or explore various categories and genres. Issuu offers a seamless

reading experience with its user-friendly interface and allows users to download PDF files for offline reading. Apart from dedicated platforms, search engines also play a crucial role in finding free PDF files. Google, for instance, has an advanced search feature that allows users to filter results by file type. By specifying the file type as "PDF," users can find websites that offer free PDF downloads on a specific topic. While downloading Toshiba E Studio 356 Service Manual free PDF files is convenient, its important to note that copyright laws must be respected. Always ensure that the PDF files you download are legally available for free. Many authors and publishers voluntarily provide free PDF versions of their work, but its essential to be cautious and verify the authenticity of the source before downloading Toshiba E Studio 356 Service Manual. In conclusion, the internet offers numerous platforms and websites that allow users to download free PDF files legally. Whether its classic literature, research papers, or magazines, there is something for everyone. The platforms mentioned in this article, such as Project Gutenberg, Open Library, Academia.edu, and Issuu, provide access to a vast collection of PDF files. However, users should always be cautious and verify the legality of the source before downloading Toshiba E Studio 356 Service Manual any PDF files. With these platforms, the world of PDF downloads is just a click away.

FAQs About Toshiba E Studio 356 Service Manual Books

1. Where can I buy Toshiba E Studio 356 Service Manual books? Bookstores: Physical bookstores like Barnes & Noble, Waterstones, and independent local stores. Online Retailers: Amazon, Book Depository, and various online bookstores offer a wide range of books in physical and digital formats.
2. What are the different book formats available? Hardcover: Sturdy and durable, usually more expensive. Paperback: Cheaper, lighter, and more portable than hardcovers. E-books: Digital books available for e-readers like Kindle or software like Apple Books, Kindle, and Google Play Books.
3. How do I choose a Toshiba E Studio 356 Service Manual book to read? Genres: Consider the genre you enjoy (fiction, non-fiction, mystery, sci-fi, etc.). Recommendations: Ask friends, join book clubs, or explore online reviews and recommendations. Author: If you like a particular author, you might enjoy more of their work.
4. How do I take care of Toshiba E Studio 356 Service Manual books? Storage: Keep them away from direct sunlight and in a dry environment. Handling: Avoid folding pages, use bookmarks, and handle them with clean hands. Cleaning: Gently dust the covers and pages occasionally.
5. Can I borrow books without buying them? Public Libraries: Local libraries offer a wide range of books for borrowing. Book Swaps: Community book exchanges or online platforms where people exchange books.

6. How can I track my reading progress or manage my book collection? Book Tracking Apps: Goodreads, LibraryThing, and Book Catalogue are popular apps for tracking your reading progress and managing book collections. Spreadsheets: You can create your own spreadsheet to track books read, ratings, and other details.
7. What are Toshiba E Studio 356 Service Manual audiobooks, and where can I find them? Audiobooks: Audio recordings of books, perfect for listening while commuting or multitasking. Platforms: Audible, LibriVox, and Google Play Books offer a wide selection of audiobooks.
8. How do I support authors or the book industry? Buy Books: Purchase books from authors or independent bookstores. Reviews: Leave reviews on platforms like Goodreads or Amazon. Promotion: Share your favorite books on social media or recommend them to friends.
9. Are there book clubs or reading communities I can join? Local Clubs: Check for local book clubs in libraries or community centers. Online Communities: Platforms like Goodreads have virtual book clubs and discussion groups.
10. Can I read Toshiba E Studio 356 Service Manual books for free? Public Domain Books: Many classic books are available for free as they're in the public domain. Free E-books: Some websites offer free e-books legally, like Project Gutenberg or Open Library.

Find Toshiba E Studio 356 Service Manual :

~~the teaching of english as an international language a practical guide~~
~~the success case method find out quickly whats working and whats not~~
~~the story of the little duck~~

the tecate journals seventy day on the rio grande

the star of bethlehem a natural supernatural hybrid ibri occasional papers book 3

the spiders web a wind river reservation myste

~~the temple and the crown~~

the source a curriculum guide for reading mentors

the sum of all fears a jack ryan novel

~~the stock market course the stock market course~~

the taoist inner view of universe and immortal realm

the sport americana hockey card price guide number 2

~~the space merchants s f masterworks~~

the successful student how to develop good study habits
the story solution

Toshiba E Studio 356 Service Manual :

dragonbreath 2 attack of the ninja frogs amazon com au - Jan 27 2022

web feb 4 2010 danny dragonbreath knows girls are nothing but trouble and the new foreign exchange student suki the salamander is the worst she s reduced his best friend

dragonbreath 2 attack of the ninja frogs kindle edition - Jan 07 2023

web dragonbreath 2 attack of the ninja frogs paperback illustrated sept 13 2012 danny dragonbreath knows girls are nothing but trouble and the new foreign exchange

dragonbreath 2 attack of the ninja frogs amazon com - Jul 13 2023

danny dragonbreath isn t the best student in school he can t breathe fire on command but if you ever get kidnapped by a clan of nindjas don t worry danny see more

dragonbreath attack of the ninja frogs worldcat org - Apr 29 2022

web get this from a library dragonbreath attack of the ninja frogs ursula vernon børnebog when suki the salamander the new foreign exchange student is being

attack of the ninja frogs dragonbreath paperback vernon - Apr 10 2023

web sep 13 2012 this attack causes danny and his friend wendell to take her on a bus ride to mythological japan to seek out danny s wise great grandfather to assist with their

attack of the ninja frogs dragonbreath hardcover - Jun 12 2023

web sep 13 2012 dragonbreath 2 attack of the ninja frogs paperback september 13 2012 danny dragonbreath knows girls are nothing but trouble and the new foreign

attack of the ninja frogs dragonbreath book 2 paperback - Nov 05 2022

web danny dragonbreath knows girls are nothing but trouble and the new foreign exchange student suki the salamander is the worst she s reduced his best friend wendell to a

dragonbreath 2 attack of the ninja frogs google play - Dec 06 2022

web feb 4 2010 ursula vernon dragonbreath 2 attack of the ninja frogs kindle edition by ursula vernon author format kindle edition 4 7 570 ratings part of dragonbreath

attack of the ninja frogs overdrive - Feb 25 2022

web dec 22 2010 title dragonbreath attack of the ninja frogs author ursula vernon pages 208 cybil book 39 book site from

penguin com danny dragonbreath knew

dragonbreath attack of the ninja frogs worldcat org - May 31 2022

web select the department you want to search in

dragonbreath 2 attack of the ninja frogs amazon com tr - Mar 09 2023

web attack of the ninja frogs dragonbreath paperback vernon ursula amazon com tr

dragonbreath 2 attack of the ninja frogs mitpressbookstore - Oct 04 2022

web this particular episode takes us to mythological japan where ninja and samurai still feud and trivial pursuit is played

follow danny wendell and new friend suki on their quest

dragonbreath 2 attack of the ninja frogs google books - Aug 02 2022

web danny dragonbreath knows girls are nothing but trouble and the new foreign exchange student suki the salamander is the worst she s reduced his best friend wendell to a

book review dragonbreath attack of the ninja frogs - Mar 29 2022

web get this from a library dragonbreath attack of the ninja frogs ursula vernon when suki the salamander the new foreign exchange student is being stalked by ninja frogs

loading interface goodreads - Oct 24 2021

web isbn 9780803733657 subtitle attack of the ninja frogs author vernon ursula series title dragonbreath ser binding

hardcover fiction nonfiction fiction subject animals

dragonbreath 2 on apple books - Sep 03 2022

web feb 4 2010 description danny dragonbreath knew girls were trouble but the new foreign exchange student suki the salamander is beyond trouble not only has she

dragonbreath 2 attack of the ninja frogs akj education - Nov 24 2021

web dragonbreath 2 attack of the ninja frogs ebook vernon ursula amazon in kindle store

dragonbreath 2 attack of the ninja frogs kindle edition - Dec 26 2021

web this particular episode takes us to mythological japan where ninja and samurai still feud and trivial pursuit is played

follow danny wendell and new friend suki on their quest

dragonbreath 2 attack of the ninja frogs kindle edition - Jul 01 2022

web sep 13 2012 dragonbreath 2 attack of the ninja frogs danny dragonbreath knows girls are nothing but trouble and the new foreign exchange student suki the

dragonbreath 2 attack of the ninja frogs paperback - Feb 08 2023

web dragonbreath 2 attack of the ninja frogs vernon ursula amazon com tr kitap

attack of the ninja frogs dragonbreath series - May 11 2023

web sep 13 2012 for use in schools and libraries only when suki the salamander the new foreign exchange student is being stalked by ninja frogs danny

attack of the ninja frogs dragonbreath wiki - Aug 14 2023

lately danny s been obsessed with ninja movies suki s a new exchange student from japan and sudden love interest of wendell though she s soon captured by ninja frogs danny wendell and suki go to mythical japan to find out the problem there they find out that the spur tongue clan wants suki as their see more

intermediate microeconomics with calculus a modern - May 04 2023

web apr 10 2014 intermediate microeconomics with calculus a modern approach varian hal r w w norton company apr 10 2014 business economics 832 pages

intermediate microeconomics with calculus a modern - Feb 01 2023

web cambridge core organisation studies a short course in intermediate microeconomics with calculus

intermediate microeconomics open textbook library - Jul 06 2023

web apr 22 2014 intermediate microeconomics with calculus a modern approach 1st edition by hal r varian author 4 5 80 ratings see all formats and editions hardcover

short course intermediate microeconomics calculus 2nd edition - Nov 29 2022

web buy intermediate microeconomics with calculus a modern approach media update international student by varian hal r isbn 9780393690019 from amazon s book

intermediate microeconomics with calculus a modern approach - Aug 07 2023

web short course in intermediate microeconomics with calculus second edition this second edition retains the positive features of being clearly written well orga nized and

download intermediate microeconomics with calculus by hal r - Apr 22 2022

web apr 29 2019 intermediate microeconomics with calculus hal r varian w w norton apr 29 2019 business economics 762 pages from google s chief economist

a short course in intermediate microeconomics with calculus - Sep 27 2022

web sep 13 2018 this study finds that in the teaching of intermediate microeconomics most schools require at least one semester of calculus and use calculus techniques at least

intermediate microeconomics with calculus a modern approach - Nov 17 2021

contents a short course in intermediate microeconomics with - Mar 22 2022

web jan 1 2014 [intermediate microeconomics with calculus a modern approach international student edition hal r varian](#)
9780393937145 amazon com books books

short course in intermediate microeconomics with calculus - Jun 05 2023

web apr 29 2016 [intermediate microeconomics with calculus a modern approach ninth international student edition varian](#)
hal r w w norton company apr 29 2016

intermediate microeconomics with calculus a modern approach - Jul 26 2022

web book a short course in intermediate microeconomics with calculus online publication 05 december 2012

[intermediate microeconomics with calculus a modern approach](#) - Apr 03 2023

web this mathematically rigorous textbook is meant for students at the intermediate level who have already had an introductory course in microeconomics and a calculus course

[intermediate microeconomics with calculus a modern approach](#) - Jun 24 2022

web sep 29 2021 [q f p the calculus concept of a function has numerous applications in microeconomics such as demand function supply function cost function production](#)

intermediate microeconomics with calculus a modern approach - Dec 31 2022

web from google s chief economist varian s best selling intermediate microeconomics texts are revered as some of the best in the field and now students can work problems online

intermediate microeconomics with calculus james economics - Feb 18 2022

[intermediate microeconomics with calculus google books](#) - Sep 08 2023

web jul 1 2019 [intermediate microeconomics with calculus a modern approach media update 9780393689990 economics books amazon com](#)

a short course in intermediate microeconomics with calculus - May 24 2022

web we would like to show you a description here but the site won t allow us

intermediate microeconomics with calculus a modern approach - Aug 27 2022

web intermediate microeconomics with calculus author hal r varian category economy mathematical economics tags hal r varian economy mathematical economics

intermediate microeconomics with calculus google books - Dec 19 2021

[a short course in intermediate microeconomics with](#) - Mar 02 2023

web short course in intermediate microeconomics with calculus this book provides a concise treatment of the core concepts

of microeconomic theory at the intermediate

[short course in intermediate microeconomics with calculus](#) - Oct 29 2022

web course description this course is the second of the three course sequence in quantitative intermediate economic theory first we will complete the material in microeconomics

intermediate microeconomics with calculus a modern - Oct 09 2023

web apr 7 2014 intermediate microeconomics with calculus hal r varian w w norton 2014 microeconomics 761 pages the 1 text is still the most modern presentation of

[quora a place to share knowledge and better understand the world](#) - Jan 20 2022

thanks to the cia your tv watches you composition james - Nov 23 2022

web feb 24 2023 you likewise realize not discover the broadcast thanks to the cia your tv watches you composition that you are looking for it will utterly squander the time

newsmax 2 live wednesday nov 1 2023 watch - Dec 13 2021

web nov 1 2023 watch newsmax2 live for the latest news and analysis on today s top stories from your favorite newsmax personalities newsmax2 weekday

thanks to the cia your tv watches you composition - Oct 03 2023

web winning reporter takes us deep inside the cia s war against al qaeda with rare inside access for an unforgettable portrait of both humam khalil al balawi and the veteran

thanks to the cia your tv watches you composition pdf pdf - May 18 2022

web we find the money for you this proper as competently as simple way to acquire those all we give thanks to the cia your tv watches you composition pdf and numerous

thanks to the cia your tv watches you composition pdf - Aug 21 2022

web getting the books thanks to the cia your tv watches you composition now is not type of challenging means you could not and no one else going taking into consideration book deposit or library or borrowing from your associates to contact them

thanks to the cia your tv watches you composition 2022 - Aug 01 2023

web thanks to the cia your tv watches you composition 5 5 with courage and candor ralph mcgehee illuminates the cia s dark catalog of misdeeds in his stunning no holds

sort by popularity most popular movies and tv shows tagged - Apr 16 2022

web a tv reporter finds himself in the middle of an arab leader buying two portable nukes terrorists arms dealer a reporter cia spy killed a us president ordering a kill etc

[siya watch what you say lyrics genius lyrics](#) - Nov 11 2021

web run and my shooters gone bust a day that s a final shoot you i m a fucking ape don t confuse me with niggas you heard about i don t gossip and i don t do word of mouth

thanks to the cia your tv watches you redbubble - Jan 26 2023

web high quality thanks to the cia your tv watches you inspired gifts and merchandise t shirts posters stickers home decor and more designed and sold by independent

[thanks to the cia your tv watches you composition pdf book](#) - Feb 12 2022

web jun 21 2023 recognizing the exaggeration ways to acquire this ebook thanks to the cia your tv watches you composition pdf is additionally useful you have remained

[thanks to the cia your tv watches you etsy](#) - Dec 25 2022

web oct 14 2022 this gender neutral adult graphic tees item is sold by flippinsweetgearco ships from vancouver wa listed on oct 14 2022

[thank you siaya for sharing the vision youtube](#) - Jan 14 2022

web about press copyright contact us creators advertise developers terms privacy press copyright contact us creators advertise developers terms privacy

[thanks to the cia your tv watches you composition full pdf](#) - Feb 24 2023

web thanks to the cia your tv watches you composition the official cia manual of trickery and deception the way of the knife agent storm the masters cia

thanks to the cia your tv watches you composition notebook - Mar 28 2023

web could the cia be wiretapping your samsung tv the tv grammar i watch a tv vs i watch tv english language 8 shows all fans of homeland should watch next tv guide what 6

thanks to the cia your tv watches you composition pdf - Sep 21 2022

web thank you unconditionally much for downloading thanks to the cia your tv watches you composition maybe you have knowledge that people have see numerous time for

[thanks to the cia your tv watches you composition pdf](#) - May 30 2023

web thanks to the cia your tv watches you composition poisoner in chief the dci historical series cia support functions the search for the manchurian candidate

[thank you canadian international air show](#) - Oct 11 2021

web by submitting this form you are consenting to receive marketing emails from canadian international air show 210 princes blvd toronto on m6k 3c3 cias org you

thanks to the cia your tv watches you composition 2022 - Apr 28 2023

web thanks to the cia your tv watches you composition 3 3 yet he considered himself deeply spiritual he lived in a remote cabin without running water meditated and rose

thanks to the cia your tv watches you composition - Jun 18 2022

web thanks to the cia your tv watches you composition eventually you will enormously discover a other experience and triumph by spending more cash nevertheless when do

thanks to the cia your tv watches you composition copy - Jun 30 2023

web thanks to the cia your tv watches you composition 3 3 patterns and tapped their phones intelligence work was effectively impossible the soviet threat loomed larger

thanks to the cia your tv watches you composition pdf irbrora - Mar 16 2022

web mar 17 2023 pay for thanks to the cia your tv watches you composition pdf and numerous ebook collections from fictions to scientific research in any way in the middle

thankstotheclayourtvwatchesyoucomposition 2023 - Jul 20 2022

web thanks to the cia your tv watches you composition thanks to the cia your tv watches you composition notebook this source i yting com we come up with the money the

thanks to the cia your tv watches you composition pdf - Oct 23 2022

web thanks to the cia your tv watches you composition downloaded from vpn bethnalgreenventures com deandre saniya the appendage independently

thanks to the cia your tv watches you composition pdf full - Sep 02 2023

web the cia enlists the help of the silver vampire who along with an entire sheriffs team come to africa to start a battle against the infected animals and humans even dangerous was