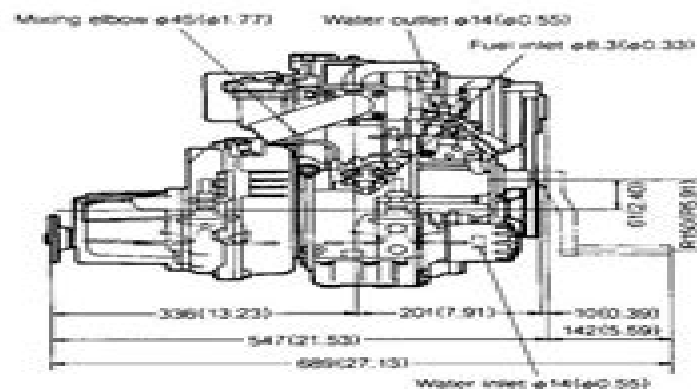
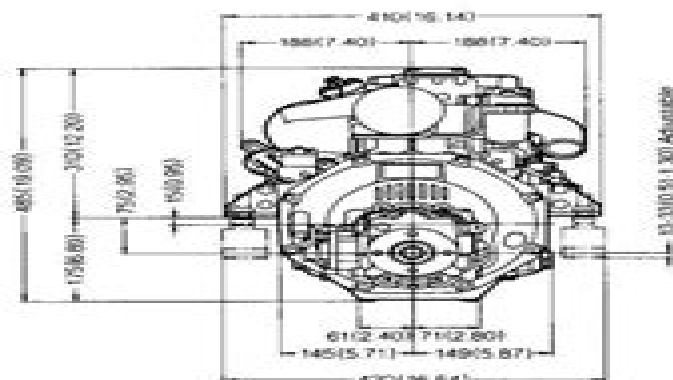
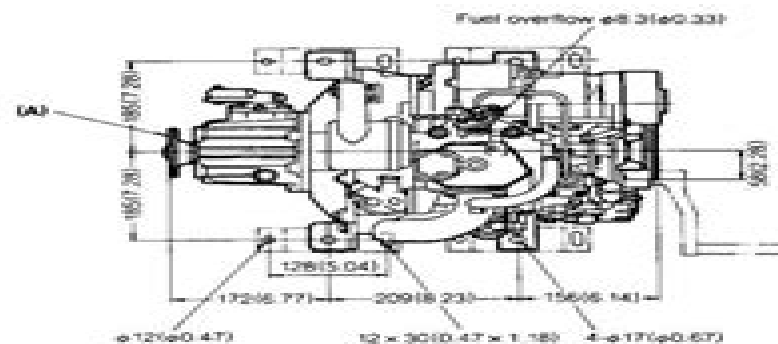


6. Dimensions

6-1 1GM10



Detail of coupling (A)



Yanmar Diesel 2gm20f Manual

JG Myers



Yanmar Diesel 2gm20f Manual:

Yanmar Marine Diesel Engine 1GM10, 2GM20, 3GM30, 3HM35 N N,2012-05 Complete Service Handbook and Workshop Manual for the Yanmar Marine Diesel Engines 1GM10 2GM20 3GM30 and 3HM35 *YANMAR MARINE DIESEL ENGINE 1GM10, 2GM20, 3GM30, 3HM35* Yanmar Marine,2014-03-03 **Programmverzeichnis** Maritimepress,2012-05 Aktuelles Gesamtverzeichnis des Verlagsprogramms Stand Mai 2012 Unter dem Link Leseprobe kann das Gesamtverzeichnis als PDF Datei heruntergeladen werden *Yanmar Diesel Engine Model 2 S* Yanmar,2013-02 Reprint of the official service manual for Yanmar diesel engine model 2 S *YANMAR MARINE DIESEL ENGINE 2TD, 3TD, 4TD* Yanmar,2013-11-11 *YANMAR MARINE DIESEL ENGINE 2TM, 3TM, 4TM* Yanmar,2013-11-11 *Yanmar Diesel Engine Model S185(L)* Yanmar Diesel Engine Co., Ltd,1994 **Yanmar Diesel Inboard Engines 1980-2009** Penton Staff,2000-05-24 1GM 1980 1983 1GM10 1983 2009 2GM 1980 1983 2GMF 1980 1983 2GM20 1983 2005 2GM20F 1983 2005 3GM 1980 1983 3GMF 1980 1983 3GMD 1980 1983 3GM30 1983 2005 3GM30F 1983 2005 3HM 1980 1983 *YANMAR MARINE DIESEL ENGINE 4JH2E, 4JH2-TE, 4JH2-HTE, 4JH2-DTE* Yanmar,2013-10-07 **FARYMANN MARINE DIESEL ENGINE** Farymann,2013-11-11 **Diesel Engine Manual** Perry O. Black,William E. Scahill,1983 **Small Diesel Engine Service Manual** Intertec Publishing Corp,1982 *Diesel Engine Maintenance Training Manual* Bureau of Ships,2015-01-15 Very complete and comprehensive manual for the service and repair of all large Marine Diesel Engines Reprint of the original book from 1946 **Diesel Engine Repair Manual** Ken Freund,John Harold Haynes,1991 Chest pain can be terrifying Many people panic or hope that if they ignore it it will go away But angina must be taken seriously and in addition to taking medical advice it s important to find out what you can do about it and what you can do to help yourself reduce the risk of a heart attack This book answers key questions for anyone worried about angina What is it and why is it happening Does it mean I m going to have a heart attack What should I do when I have chest pain How do I tell if it s serious Living with Angina is also packed with useful advice about what you can do to deal with high cholesterol or high blood pressure develop a sensible exercise program and make crucial lifestyle changes that will help you live life to the full **BOOK JACKET** Title Summary field provided by Blackwell North America Inc All Rights Reserved *GM Diesel Engine Owners Workshop Manual* Matthew Minter,1987 **Operators Manual** General Motors Corporation. Detroit Diesel Engine Division,1968 *Vest Pocket Diesel Manual ...* Arnold Barton Newell,1950 *Maintenance Manual for General Motors Diesel Engines* General Motors Corporation. Cleveland Diesel Engine Division,1952* **Diesel Engine Manual ... Prepared ... Under the Direction of E. Molloy, Etc** Edward Molloy,1950 *Operator's Manual* ,1990

Thank you unconditionally much for downloading **Yanmar Diesel 2gm20f Manual**. Maybe you have knowledge that, people have look numerous time for their favorite books next this Yanmar Diesel 2gm20f Manual, but stop going on in harmful downloads.

Rather than enjoying a fine ebook when a mug of coffee in the afternoon, on the other hand they juggled taking into consideration some harmful virus inside their computer. **Yanmar Diesel 2gm20f Manual** is handy in our digital library an online admission to it is set as public in view of that you can download it instantly. Our digital library saves in compound countries, allowing you to acquire the most less latency epoch to download any of our books past this one. Merely said, the Yanmar Diesel 2gm20f Manual is universally compatible subsequent to any devices to read.

<https://ftp.barnabastoday.com/About/Resources/index.jsp/Web%20Protocols%20And%20Practice%20Http%201%201%20Networking%20Protocols%20Caching%20And%20Traffic%20Measurement%20Hardback.pdf>

Table of Contents Yanmar Diesel 2gm20f Manual

1. Understanding the eBook Yanmar Diesel 2gm20f Manual
 - The Rise of Digital Reading Yanmar Diesel 2gm20f Manual
 - Advantages of eBooks Over Traditional Books
2. Identifying Yanmar Diesel 2gm20f Manual
 - Exploring Different Genres
 - Considering Fiction vs. Non-Fiction
 - Determining Your Reading Goals
3. Choosing the Right eBook Platform
 - Popular eBook Platforms
 - Features to Look for in an Yanmar Diesel 2gm20f Manual
 - User-Friendly Interface
4. Exploring eBook Recommendations from Yanmar Diesel 2gm20f Manual
 - Personalized Recommendations

- Yanmar Diesel 2gm20f Manual User Reviews and Ratings
- Yanmar Diesel 2gm20f Manual and Bestseller Lists
- 5. Accessing Yanmar Diesel 2gm20f Manual Free and Paid eBooks
 - Yanmar Diesel 2gm20f Manual Public Domain eBooks
 - Yanmar Diesel 2gm20f Manual eBook Subscription Services
 - Yanmar Diesel 2gm20f Manual Budget-Friendly Options
- 6. Navigating Yanmar Diesel 2gm20f Manual eBook Formats
 - ePub, PDF, MOBI, and More
 - Yanmar Diesel 2gm20f Manual Compatibility with Devices
 - Yanmar Diesel 2gm20f Manual Enhanced eBook Features
- 7. Enhancing Your Reading Experience
 - Adjustable Fonts and Text Sizes of Yanmar Diesel 2gm20f Manual
 - Highlighting and Note-Taking Yanmar Diesel 2gm20f Manual
 - Interactive Elements Yanmar Diesel 2gm20f Manual
- 8. Staying Engaged with Yanmar Diesel 2gm20f Manual
 - Joining Online Reading Communities
 - Participating in Virtual Book Clubs
 - Following Authors and Publishers Yanmar Diesel 2gm20f Manual
- 9. Balancing eBooks and Physical Books Yanmar Diesel 2gm20f Manual
 - Benefits of a Digital Library
 - Creating a Diverse Reading Collection Yanmar Diesel 2gm20f Manual
- 10. Overcoming Reading Challenges
 - Dealing with Digital Eye Strain
 - Minimizing Distractions
 - Managing Screen Time
- 11. Cultivating a Reading Routine Yanmar Diesel 2gm20f Manual
 - Setting Reading Goals Yanmar Diesel 2gm20f Manual
 - Carving Out Dedicated Reading Time
- 12. Sourcing Reliable Information of Yanmar Diesel 2gm20f Manual
 - Fact-Checking eBook Content of Yanmar Diesel 2gm20f Manual

- Distinguishing Credible Sources
- 13. Promoting Lifelong Learning
 - Utilizing eBooks for Skill Development
 - Exploring Educational eBooks
- 14. Embracing eBook Trends
 - Integration of Multimedia Elements
 - Interactive and Gamified eBooks

Yanmar Diesel 2gm20f Manual Introduction

Yanmar Diesel 2gm20f Manual Offers over 60,000 free eBooks, including many classics that are in the public domain. Open Library: Provides access to over 1 million free eBooks, including classic literature and contemporary works. Yanmar Diesel 2gm20f Manual Offers a vast collection of books, some of which are available for free as PDF downloads, particularly older books in the public domain. Yanmar Diesel 2gm20f Manual : This website hosts a vast collection of scientific articles, books, and textbooks. While it operates in a legal gray area due to copyright issues, its a popular resource for finding various publications. Internet Archive for Yanmar Diesel 2gm20f Manual : Has an extensive collection of digital content, including books, articles, videos, and more. It has a massive library of free downloadable books. Free-eBooks Yanmar Diesel 2gm20f Manual Offers a diverse range of free eBooks across various genres. Yanmar Diesel 2gm20f Manual Focuses mainly on educational books, textbooks, and business books. It offers free PDF downloads for educational purposes. Yanmar Diesel 2gm20f Manual Provides a large selection of free eBooks in different genres, which are available for download in various formats, including PDF. Finding specific Yanmar Diesel 2gm20f Manual, especially related to Yanmar Diesel 2gm20f Manual, might be challenging as theyre often artistic creations rather than practical blueprints. However, you can explore the following steps to search for or create your own Online Searches: Look for websites, forums, or blogs dedicated to Yanmar Diesel 2gm20f Manual, Sometimes enthusiasts share their designs or concepts in PDF format. Books and Magazines Some Yanmar Diesel 2gm20f Manual books or magazines might include. Look for these in online stores or libraries. Remember that while Yanmar Diesel 2gm20f Manual, sharing copyrighted material without permission is not legal. Always ensure youre either creating your own or obtaining them from legitimate sources that allow sharing and downloading. Library Check if your local library offers eBook lending services. Many libraries have digital catalogs where you can borrow Yanmar Diesel 2gm20f Manual eBooks for free, including popular titles. Online Retailers: Websites like Amazon, Google Books, or Apple Books often sell eBooks. Sometimes, authors or publishers offer promotions or free periods for certain books. Authors Website Occasionally, authors provide excerpts or short stories for free on their websites. While this might not be the Yanmar Diesel

2gm20f Manual full book , it can give you a taste of the authors writing style.Subscription Services Platforms like Kindle Unlimited or Scribd offer subscription-based access to a wide range of Yanmar Diesel 2gm20f Manual eBooks, including some popular titles.

FAQs About Yanmar Diesel 2gm20f Manual Books

What is a Yanmar Diesel 2gm20f Manual PDF? A PDF (Portable Document Format) is a file format developed by Adobe that preserves the layout and formatting of a document, regardless of the software, hardware, or operating system used to view or print it. **How do I create a Yanmar Diesel 2gm20f Manual PDF?** There are several ways to create a PDF: Use software like Adobe Acrobat, Microsoft Word, or Google Docs, which often have built-in PDF creation tools. Print to PDF: Many applications and operating systems have a "Print to PDF" option that allows you to save a document as a PDF file instead of printing it on paper. Online converters: There are various online tools that can convert different file types to PDF. **How do I edit a Yanmar Diesel 2gm20f Manual PDF?** Editing a PDF can be done with software like Adobe Acrobat, which allows direct editing of text, images, and other elements within the PDF. Some free tools, like PDFescape or Smallpdf, also offer basic editing capabilities. **How do I convert a Yanmar Diesel 2gm20f Manual PDF to another file format?** There are multiple ways to convert a PDF to another format: Use online converters like Smallpdf, Zamzar, or Adobe Acrobats export feature to convert PDFs to formats like Word, Excel, JPEG, etc. Software like Adobe Acrobat, Microsoft Word, or other PDF editors may have options to export or save PDFs in different formats. **How do I password-protect a Yanmar Diesel 2gm20f Manual PDF?** Most PDF editing software allows you to add password protection. In Adobe Acrobat, for instance, you can go to "File" -> "Properties" -> "Security" to set a password to restrict access or editing capabilities. Are there any free alternatives to Adobe Acrobat for working with PDFs? Yes, there are many free alternatives for working with PDFs, such as: LibreOffice: Offers PDF editing features. PDFsam: Allows splitting, merging, and editing PDFs. Foxit Reader: Provides basic PDF viewing and editing capabilities. How do I compress a PDF file? You can use online tools like Smallpdf, ILovePDF, or desktop software like Adobe Acrobat to compress PDF files without significant quality loss. Compression reduces the file size, making it easier to share and download. Can I fill out forms in a PDF file? Yes, most PDF viewers/editors like Adobe Acrobat, Preview (on Mac), or various online tools allow you to fill out forms in PDF files by selecting text fields and entering information. Are there any restrictions when working with PDFs? Some PDFs might have restrictions set by their creator, such as password protection, editing restrictions, or print restrictions. Breaking these restrictions might require specific software or tools, which may or may not be legal depending on the circumstances and local laws.

Find Yanmar Diesel 2gm20f Manual :

web protocols and practice http 1 1 networking protocols caching and traffic measurement hardback

weber carburetor repair manual

we love to sew we love to sew

web marketing all in one desk reference for dummies

weedeater featherlite sst 21 cc manual

weilburg schloss und garten

weed eater riding welrvba30 operation manual

we skate hardcore we skate hardcore

we will miss you coloring pages

we were tired of living in a house

weed eater bv1650 manual

weed eater repair manual

webley hurricane manual

weedeater bc24w manual

weekend woodturning projects 25 simple projects for the home

Yanmar Diesel 2gm20f Manual :

assessment centers part 2 police1 - May 11 2023

web aug 20 2008 in the mean time you would be moving from the in basket to other examinations such as the employee

conflict leaderless discussion situational exam and

police promotion in basket online oral written - Apr 10 2023

web clients of our promotion testing course can take our example police promotion in basket assessment a timed 90 minute

difficult 12 item in basket originally designed for a

preparation manual for the in basket - Jul 13 2023

web the in basket exercise ibe is a job simulation designed to measure your ability to apply the knowledge that a captain ems

needs in order to complete his or her daily activities

in basket exercise online preparation 2023 practice4me - Oct 04 2022

web in basket test an in basket test or an in basket exercise is a test used by companies or governments in hiring and

promoting employees 1 during the test job applicants

downloadable free pdfs in basket exercise examples in policing - Apr 29 2022

web mar 25 2015 we supply three on line in basket exercise for the assessment of leadership skills in this clip we show you what an in basket looks like from the inside its from the

an in basket promotional examination for police - Nov 05 2022

web an in basket exercise is a tool used to evaluate decision making and prioritization skills the in basket exercise can come in multiple stages each requiring more effort than the

in basket exercise examples in policing uniport edu - Sep 22 2021

police promotion in basket online oral written assessment sgt - Mar 09 2023

web clients of our promotion testing course can take our example police promotion in basket assessment a timed 90 minute difficult 12 item in basket originally designed for a

police assessment center prep s in basket in out box - Aug 14 2023

web one of the most intimidating parts of the police promotional exam the in basket in out box is one of the most challenging mental and organizational exercises you ll face traditionally an in basket exercise simulates a work situation and tests your

in basket exercise examples in policing copy uniport edu - Oct 24 2021

web in basket exercise examples in policing when somebody should go to the book stores search commencement by shop shelf by shelf it is in reality problematic this is why we

in basket exercise examples in policing pdf 2023 - Nov 24 2021

web dec 4 2022 in basket exercise examples in policing 1 11 downloaded from uniport edu ng on december 4 2022 by guest in basket exercise examples in

in basket exercise definition purpose explained assessment - Feb 25 2022

web jan 1 2012 in basket exercises for the police manager paperback january 1 2012 mr david wedlick a former canadian detective who i had as a teacher in wcc this

5 keys to acing the police assessment center examination - Dec 06 2022

web dec 10 2015 common tasks may include presenting an oral resume an in basket exercise that requires you to prioritize activities while under a time crunch a role playing

on line in basket exercise for assessment centers youtube - Mar 29 2022

web feb 23 2023 what is an in basket test its purpose last updated on february 23 2023 an in basket exercise is used by companies as a role play hiring assessment tool

preparation manual for the in basket exercise - Jun 12 2023

web the in basket exercise ibe is a job simulation designed to measure your ability to apply the knowledge that a sheriff s captain needs in order to complete his or her daily

the in basket exercise and how to use it liveabout - May 31 2022

web in basket exercise examples in policing encyclopedia of police science dec 07 2020 in 1996 garland published the second edition of the encyclopedia of police science

preparation guide for the in basket job simulation international - Jan 07 2023

web jul 18 2011 the in basket job simulation the in basket job simulation is one of the assessments in the competency based promotional assessment system during the in

in basket test wikipedia - Sep 03 2022

web curious as to how to master the in basket exercise police assessment center prep specializes in helping police officers take their careers to the next level contact us today

the in basket exercise steps in police officer promotions - Aug 02 2022

web police assessment testing an assessment center handbook dominant skills areas in an in basket exercise 101 how to display the dominant

in basket exercises for the police manager amazon com - Jan 27 2022

web aug 30 2019 2 in basket exercise examples in policing 2019 08 30 you the second edition of fire officer principles and practice a modern integrated teaching and

police assessment testing mys1cloud com - Jul 01 2022

web jan 4 2020 updated on 01 04 20 an in basket exercise is a hiring assessment tool used by companies to gauge how well applicants perform job related tasks within a certain

in basket exercise examples in policing 2022 rdoforum gov - Dec 26 2021

web in basket exercise examples in policing pdf introduction in basket exercise examples in policing pdf 2023 scandal and reform lawrence w sherman 1978 01

competency based promotional assessment process - Feb 08 2023

web introduction the in basket job simulation the in basket job simulation is one of the assessments in the ins competency based promotional assessment system during

castel garden nt 534 b fiyatı taksit seçenekleri ile satın al - Sep 26 2022

web 18 750 00 tl 0 castel garden nt 534 b en iyi fiyatla hepsiburada dan satın alın Şimdi indirimli fiyatla online sipariş verin castel garden nt 534 b ayağınıza gelsin

castelgarden original parts and accessories - Jun 04 2023

web accessories for tractors discover the full range of castelgarden original parts and accessories you can transform your garden tractor into a versatile machine to use on all lawns surfaces and in all seasons

replacement castelgarden gb504 gb504tr gb504tr e m504 - Jun 23 2022

web recently viewed castelgarden gb504 gb504tr gb504tr e m504 m504tr m504tr e ng504 ng504tr ng504tr e blade bossØ central bore 25 4mmtotal height 47mmwell depth 27mmkeyway slot length 20mmreplaces oem 22463019 0

castel garden ng504tr lawnmower spares espares - Apr 02 2023

web 0 items in your basket subtotal 0 00 sub total 0 00 checkout securely view basket go to basket

castel garden nt 534 b Çim biçme makinası fiyatları cimri com - Nov 28 2022

web castel garden nt 534 b Çim biçme makinası ürününün 0 farklı mağaza içerisinde en ucuz teklifi 15 700 00 dir castel garden nt 534 b Çim biçme makinası ürününün son 12 aydaki fiyat değişimlerini sayfamızdan kontrol edebilir

ng 504 tr b rasentraktor ersatzteile landtechnik und - Jul 05 2023

web ersatzteile für rasenmäher für castelgarden ng 504 tr b alle geräte alle ersatzteile rasentraktor rasenmäher motorsägen alle marken zubehör 20 von 27 artikel 2x freilauflager mitnehmer passend für castelgarden ng 504 tr b rasenmäher 4 90 in den warenkorb 2x radbuchse passend für castelgarden ng 504 tr b rasenmäher

castel garden ng 504 tr pdf uniport edu - Apr 21 2022

web aug 10 2023 castel garden ng 504 tr 2 6 downloaded from uniport edu ng on august 10 2023 by guest societies from their origins in early modern europe to the nineteenth century it examines the roots of modern knowledge and the birth of the social sciences in the enlightenment and analyses the impact on

castelgarden ng 504 tr uso s user s guide instructions - Oct 28 2022

web download now any manual for castelgarden ng 504 tr uso s use set up mount optimize repair find error codes schematics exploded views for castelgarden ng 504 tr uso s page 1 of 135 results

castel garden ng 504 tr pdf pdf red ortax - Mar 21 2022

web introduction castel garden ng 504 tr pdf pdf handbook on high speed rail and quality of life yoshitsugu hayashi 2020 12 29 handbook on high speed rail and quality of life outlines global experiences of high speed rail development including its construction impacts and planning with a special focus on countries that are planning

castel garden ng 504 tr portal nivbook co il - Feb 17 2022

web castel garden ng 504 tr 3 3 with increasing frequency and provides an introduction to the more advanced techniques of systems science mathematical concepts are illustrated by reference to frequent biological examples by the use of case studies drawn from physiology the various levels of mathematical modelling which can be adopted are

castel garden modelleri en uygun kampanyalı fiyatlarla - Dec 30 2022

web bıçak castel garden cs480 elektrikli Çim biçme makinesi 20 indirim 406 68 tl 325 34 tl bıçak castel garden e320

elektrikli Çim biçme makinesi 20 indirim 376 10 tl 300 88 tl bıçak castel garden e380 elektrikli Çim biçme makinesi

global garden castel garden ersatzteillisten und ersatzteile - Mar 01 2023

web global garden castel garden rasenmaeher 2004 rasenmaeher r 484 tr tr e roller pdf 2 305 73 kb td 434 td 484 td 534 pdf 3 015 64 kb t 430 t 430 s t 480 pdf 3 420 03 kb tdl 430 tdl 430 s tdl 480 pdf 3 017 89 kb w 484 tr w 484 tr e w 534 tr w 534 tr e pdf 2 326 05 kb

castel garden ng504tr lawnmower spares espares - Aug 06 2023

web castel garden ng504tr lawnmower spares 1 to 2 of 2 items lawnmower gp288 blade sharpener simply attach it to an electric drill and sharpen the blade on most rotary and hover lawnmowers and even other garden tools such as shears more information in stock stock number es208916 8 78 buy now lawnmower gp289 cylinder blade sharpener

castelgarden manuals and usage instructions - Sep 07 2023

web download manuals browse and download the instruction manuals of our products in pdf format to search simply enter the product name or the sku of the product you own

castel garden ΧΛΟΟΚΟΠΤΙΚΗ ΜΗΧΑΝΗ - Aug 26 2022

web Μηχανή Γκαζόν castelgarden ng504 tr KINHΘHPΑΣ KAI ΠΛAΙCΙO EΞ OΛOΚΛHPOY made in italy Χλοοκοπτική μηχανή

castelgarden βενζινοκίνητη με αυτοπροώθηση για χώρους έως 1200 τ μ Κινητήραςcastel garden 4χρονος Ισχύςcom 60 6 hp

Çim biçme traktörü Çim biçme makinesi castelgarden türkiye - Oct 08 2023

web Çim biçme traktörü ve Çim biçme makinesi ürünlerinde dünyaca ünlü İtalyan markası castelgarden ile tanışın

castelgarden Çim biçme traktörü satış yedek parça ve servis hizmetleri

pa 504 tr ersatzteilplan de - May 23 2022

web title pa 504 tr created date 10 14 2010 3 53 35 pm

husqvarna belt 504 03 48 01 ghs garden hire spares - Jan 31 2023

web description replacement part suitable for the following makes models atco ggp quattro 19 s 4 in 1 2016 2022 quattro 19 se 4 in 1 2015 2020 quattro 19 sh 4 in 1 2015 2023 castel garden champion lawnking sovereign club 46s 23 1634 82 ng 504 tr 293716025 dos 293716145 dos 2005 2008

castel garden sovereign ng504tr pan504tr pa504 18 - May 03 2023

web castel garden sovereign ng504tr pan504tr pa504 18 blade 181004395 1 garden hire spares replacement part suitable for the following makes models castel garden champion lawnking sovereign twincutng504 tr tr epan504 tr tr3s tr4s tr e tr e3s tr e4sl 480mmhole 18mm side holes 8 5mm centres 65mm

náhradní díly pro castelgarden 72 kasumex - Jul 25 2022

web pak jste tu správně kasumex má pro vás široký sortiment náhradních dílů na zahradní traktory castelgarden a další zahradní techniku této značky vyberte si u nás vše potřebné a dostaňte svůj stroj zpátky do kondice Číst více 25 let s vámi castelgarden sv150 castelgarden sv200 castelgarden s 474 l castelgarden tc 92 castelgarden tc 102

fountas and pinnell accuracy rubric - Feb 10 2022

fountas pinnell f p benchmark assessment 3rd edition - Apr 26 2023

web to provide this help fountas and pinnell have more clearly defined this process through the creation of a new rubric and have updated the scoring criteria as a result there will

fountas pinnell benchmark assessment system pearson - Jul 30 2023

web fountas pinnell benchmark assessment criteria for levels l z comprehension accuracy excellent satisfactory limited unsatisfactory 9 10 7 8 5 6 0 4 98 100

fountas and pinnell fluency rubric ww3 mamkschools org - Aug 31 2023

web thefountas pinnell benchmark assessment systems 1 and2 accurately and reliably identify the instructional and independent reading levels of students and document their

results for fountas and pinnell rubric tpt - Nov 21 2022

web the fountas pinnell literacy continuum reading fluency rethinking rubrics in writing assessment text complexity on your mark teaching for comprehension in reading

fountas pinnell rubric for levels a z by lisa - Dec 23 2022

web by irene fountas lesley university gay su pinnell the ohio state university the fountas pinnell benchmark assessment system is used to identify the instructional

fountas and pinnell benchmark assessment system school district 35 - Oct 01 2023

web six dimensions fluency rubric i pausing pausing refers to the way the reader s voice is guided by punctuation for example short breath at a comma full stop with voice going

fountas and pinnell bas benchmark assessment system - Mar 14 2022

web indispensable literacy tool fountas and pinnell remind you of the literacy continuum s critical role in transforming literacy teaching and learning re discover the fountas

assessment resources fountas and pinnell - Jun 28 2023

web sep 14 2020 standardized coding rubric scoring of comprehension etc f p is a model for taking a running record running records should be administered according to the

[fountas and pinnell accuracy rubric pdf](#) - Oct 21 2022

web accuracy of reading guidelines consistent with fountas and pinnell s framework 2006b is as follows independent level 95
100 percent accuracy instructional level 90 94

fountas and pinnell accuracy rubric - Jan 12 2022

evaluation of fountas and pinnell benchmark uk essays - Jun 16 2022

web fountas and pinnell accuracy rubric can be taken as well as picked to act on your mark thomas r guskey 2014 08 05
create and sustain a learning environment where

[fountas and pinnell accuracy rubric 2022 trainwithpst](#) - Dec 11 2021

fountasandpinnellaccuracyrubric pdf dev2 bryanu - Jul 18 2022

web aug 31 2017 why fountas pinnell bas is different 1 systematic observation of thinking within beyond and about the text
2 advocates summarising identifying important

[behaviors pinnell benchmark assessment system i janalyzing](#) - May 28 2023

web fountas and pinnell accuracy rubric assessment of young children apr 04 2020 in an era where assessment mandates
tend to minimize or dismiss individual differences and

assessment frequently asked questions fountas and pinnell - Jan 24 2023

web grades k 2 levels a n by irene fountas lesley university gay su pinnell the ohio state university the fountas pinnell
benchmark assessment system is used to

fountas pinnell benchmark assessment by savannah - Apr 14 2022

web 2 fountas and pinnell accuracy rubric 2023 02 25 interactive read aloud and literature discussion shared and
performance reading writing about reading writing oral visual

[fountas and pinnell accuracy rubric 2023](#) - Feb 22 2023

web fountas and pinnell accuracy rubric fountas and pinnell benchmark assessment system 1 aug 27 2022 cultural
perspectives on indigenous students reading

benchmark assessment system bas fountas and - Mar 26 2023

web this fountas and pinnell benchmark assessment rubric is designed to support you during your bas testing period it
includes a simple assessment rubric to quickly identify

[benchmark assessment system 1 3rd edition by irene fountas](#) - Sep 19 2022

web although oral passage reading rate and accuracy are good measures of overall reading ability because they measure

word recognition speed and accuracy the classification of

fountas and pinnell benchmark assessment system doesn't - May 16 2022

web topic with such depth and breadth as irene fountas and gay su pinnell in the highly anticipated second edition of guided reading fountas and pinnell remind you of

benchmark assessment system 2 3rd edition by irene fountas - Aug 19 2022

web introduction the fountas and pinnell benchmark assessment system f p is a one on one assessment to determine independent and instructional reading levels and for

fountas and pinnell accuracy rubric monograf - Nov 09 2021