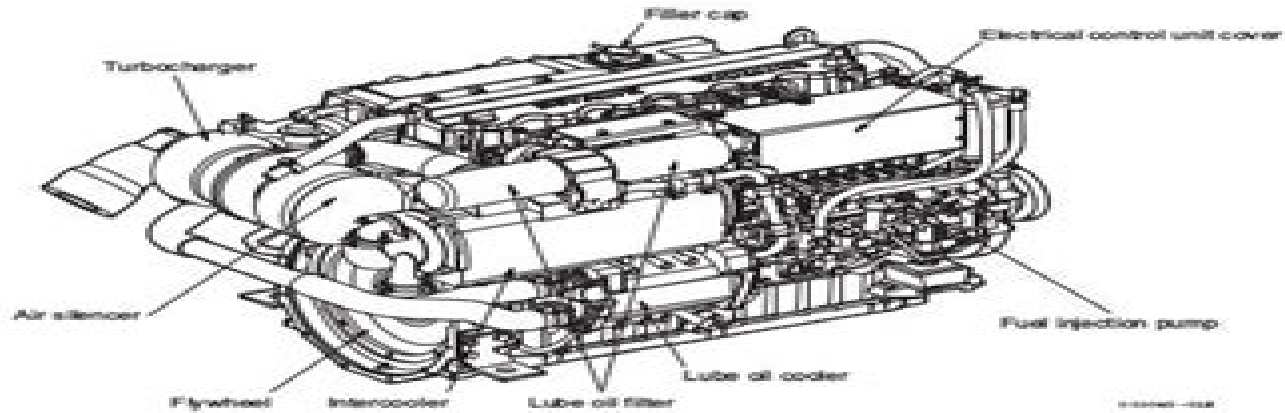


1. General

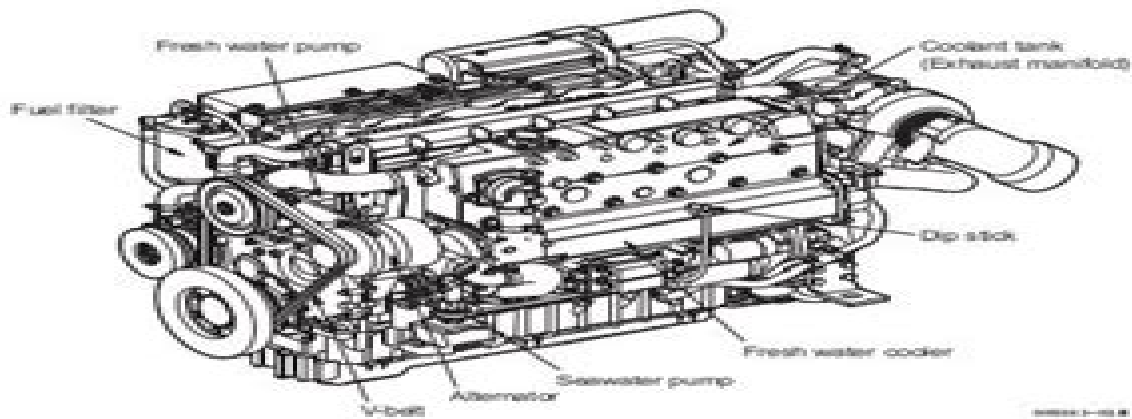
1.1 Exterior views

6LY3-ETP

● Operation side



● Non operation side



Yanmar 6ly3 Series Marine Diesel Engine Service Repair Manual

Yanmar



Yanmar 6ly3 Series Marine Diesel Engine Service Repair Manual:

Yanmar Marine Diesel Engine Model Ysm Yanmar,2013-03 Reprint of the official service manual for Yanmar marine diesel engine model YSM **YANMAR MARINE DIESEL ENGINE MODEL SKE** Yanmar,2013-10-07 Yanmar Service Manual, Marine Diesel Engine ,197? **Yanmar Marine Diesel Engine 2td, 3td, 4td** Yanmar,2013-02 Reprint of the official service manual for Yanmar marine diesel engines 2TD 3TD and 4TD *Yanmar Marine Diesel Engine 3jh2* Yanmar,2013-02 Reprint of the official service manual for Yanmar marine diesel engine model 3JH2 *Yanmar Marine Diesel Engine 2tm, 3tm, 4tm* Yanmar,2013-02 Reprint of the official service manual for Yanmar marine diesel engines 2TM 3TM and 4TM **Yanmar Marine Diesel Engine 3YM30/3YM20/2YM15** N N,2012-05 Complete Service Handbook and Workshop Manual for the Yanmar Marine Diesel Engines 3YM30 3YM20 and 2YM15 *Yanmar Marine Diesel Engine D27a* Yanmar,2013-03 Reprint of the official service manual for Yanmar marine diesel engines D27A and D36A Yanmar Service Manual ,197? *YANMAR MARINE DIESEL ENGINE 2QM15* Yanmar,2013-11-11 YANMAR MARINE DIESEL ENGINE 3YM30/3YM20/2YM15 Albin,2014-03-03 **YANMAR MARINE DIESEL ENGINE YSE8** Yanmar,2014-01-21 **Yanmar Marine Engines Sy Series - 6sy-Stp2/6sy655/8sy-Stp** Yanmar,2013-06 Complete Service Handbook for the Yanmar Marine Diesel Engines 6SY STP2 6SY655 and 8SY STP **YANMAR MARINE DIESEL ENGINE 1GM10, 2GM20, 3GM30, 3HM35** Yanmar Marine,2014-03-03 **AC Maintenance & Repair Manual for Diesel Engines** Jean Luc Pallas,2013-08-22 The aim of this book with its detailed step by step colour photographs and diagrams is to enable every owner to fix their diesel engine with ease Troubleshooting tables help diagnose potential problems and there is advice on regular maintenance and winterising and repair Jean Luc Pallas s enthusiasm for passing on his knowledge as well as his clear explanations precise advice and step by step instructions make this a unique book *YANMAR MARINE DIESEL ENGINES 3JH3(B)(C)E(A), 4JH3(B)(C)E, 4JH3CE1* Yanmar,2013-10-07 **Yanmar Marine Diesel Engine 4JH2E, 4JH2-Te, 4JH2-Hte, 4JH2-Dte** Yanmar,2013-05 Reprint of the official service manual for Yanmar marine diesel engines 4JH2E 4JH2 TE 4JH2 HTE 4JH2 DTE *Yanmar Marine Diesel Engine 1GM10, 2GM20, 3GM30, 3HM35* N N,2012-05 Complete Service Handbook and Workshop Manual for the Yanmar Marine Diesel Engines 1GM10 2GM20 3GM30 and 3HM35 *YANMAR MARINE DIESEL ENGINES 4JHE, 4JH-TE, 4JH-HTE, 4JH-DTE* Yanmar,2013-10-07 Yanmar Diesel Engine Model 2 S Yanmar,2013-02 Reprint of the official service manual for Yanmar diesel engine model 2 S

Decoding **Yanmar 6ly3 Series Marine Diesel Engine Service Repair Manual**: Revealing the Captivating Potential of Verbal Expression

In an era characterized by interconnectedness and an insatiable thirst for knowledge, the captivating potential of verbal expression has emerged as a formidable force. Its ability to evoke sentiments, stimulate introspection, and incite profound transformations is genuinely awe-inspiring. Within the pages of "**Yanmar 6ly3 Series Marine Diesel Engine Service Repair Manual**," a mesmerizing literary creation penned by a celebrated wordsmith, readers set about an enlightening odyssey, unraveling the intricate significance of language and its enduring effect on our lives. In this appraisal, we shall explore the book's central themes, evaluate its distinctive writing style, and gauge its pervasive influence on the hearts and minds of its readership.

https://ftp.barnabastoday.com/public/book-search/index.jsp/Yahweh_To_Hell_Why_We_Need_Jesus_Out_Of_Politics.pdf

Table of Contents Yanmar 6ly3 Series Marine Diesel Engine Service Repair Manual

1. Understanding the eBook Yanmar 6ly3 Series Marine Diesel Engine Service Repair Manual
 - The Rise of Digital Reading Yanmar 6ly3 Series Marine Diesel Engine Service Repair Manual
 - Advantages of eBooks Over Traditional Books
2. Identifying Yanmar 6ly3 Series Marine Diesel Engine Service Repair Manual
 - Exploring Different Genres
 - Considering Fiction vs. Non-Fiction
 - Determining Your Reading Goals
3. Choosing the Right eBook Platform
 - Popular eBook Platforms
 - Features to Look for in an Yanmar 6ly3 Series Marine Diesel Engine Service Repair Manual
 - User-Friendly Interface
4. Exploring eBook Recommendations from Yanmar 6ly3 Series Marine Diesel Engine Service Repair Manual
 - Personalized Recommendations

- Yanmar 6ly3 Series Marine Diesel Engine Service Repair Manual User Reviews and Ratings
- Yanmar 6ly3 Series Marine Diesel Engine Service Repair Manual and Bestseller Lists
- 5. Accessing Yanmar 6ly3 Series Marine Diesel Engine Service Repair Manual Free and Paid eBooks
 - Yanmar 6ly3 Series Marine Diesel Engine Service Repair Manual Public Domain eBooks
 - Yanmar 6ly3 Series Marine Diesel Engine Service Repair Manual eBook Subscription Services
 - Yanmar 6ly3 Series Marine Diesel Engine Service Repair Manual Budget-Friendly Options
- 6. Navigating Yanmar 6ly3 Series Marine Diesel Engine Service Repair Manual eBook Formats
 - ePub, PDF, MOBI, and More
 - Yanmar 6ly3 Series Marine Diesel Engine Service Repair Manual Compatibility with Devices
 - Yanmar 6ly3 Series Marine Diesel Engine Service Repair Manual Enhanced eBook Features
- 7. Enhancing Your Reading Experience
 - Adjustable Fonts and Text Sizes of Yanmar 6ly3 Series Marine Diesel Engine Service Repair Manual
 - Highlighting and Note-Taking Yanmar 6ly3 Series Marine Diesel Engine Service Repair Manual
 - Interactive Elements Yanmar 6ly3 Series Marine Diesel Engine Service Repair Manual
- 8. Staying Engaged with Yanmar 6ly3 Series Marine Diesel Engine Service Repair Manual
 - Joining Online Reading Communities
 - Participating in Virtual Book Clubs
 - Following Authors and Publishers Yanmar 6ly3 Series Marine Diesel Engine Service Repair Manual
- 9. Balancing eBooks and Physical Books Yanmar 6ly3 Series Marine Diesel Engine Service Repair Manual
 - Benefits of a Digital Library
 - Creating a Diverse Reading Collection Yanmar 6ly3 Series Marine Diesel Engine Service Repair Manual
- 10. Overcoming Reading Challenges
 - Dealing with Digital Eye Strain
 - Minimizing Distractions
 - Managing Screen Time
- 11. Cultivating a Reading Routine Yanmar 6ly3 Series Marine Diesel Engine Service Repair Manual
 - Setting Reading Goals Yanmar 6ly3 Series Marine Diesel Engine Service Repair Manual
 - Carving Out Dedicated Reading Time
- 12. Sourcing Reliable Information of Yanmar 6ly3 Series Marine Diesel Engine Service Repair Manual
 - Fact-Checking eBook Content of Yanmar 6ly3 Series Marine Diesel Engine Service Repair Manual

- Distinguishing Credible Sources
- 13. Promoting Lifelong Learning
 - Utilizing eBooks for Skill Development
 - Exploring Educational eBooks
- 14. Embracing eBook Trends
 - Integration of Multimedia Elements
 - Interactive and Gamified eBooks

Yanmar 6ly3 Series Marine Diesel Engine Service Repair Manual Introduction

Free PDF Books and Manuals for Download: Unlocking Knowledge at Your Fingertips In today's fast-paced digital age, obtaining valuable knowledge has become easier than ever. Thanks to the internet, a vast array of books and manuals are now available for free download in PDF format. Whether you are a student, professional, or simply an avid reader, this treasure trove of downloadable resources offers a wealth of information, conveniently accessible anytime, anywhere. The advent of online libraries and platforms dedicated to sharing knowledge has revolutionized the way we consume information. No longer confined to physical libraries or bookstores, readers can now access an extensive collection of digital books and manuals with just a few clicks. These resources, available in PDF, Microsoft Word, and PowerPoint formats, cater to a wide range of interests, including literature, technology, science, history, and much more. One notable platform where you can explore and download free Yanmar 6ly3 Series Marine Diesel Engine Service Repair Manual PDF books and manuals is the internet's largest free library. Hosted online, this catalog compiles a vast assortment of documents, making it a veritable goldmine of knowledge. With its easy-to-use website interface and customizable PDF generator, this platform offers a user-friendly experience, allowing individuals to effortlessly navigate and access the information they seek. The availability of free PDF books and manuals on this platform demonstrates its commitment to democratizing education and empowering individuals with the tools needed to succeed in their chosen fields. It allows anyone, regardless of their background or financial limitations, to expand their horizons and gain insights from experts in various disciplines. One of the most significant advantages of downloading PDF books and manuals lies in their portability. Unlike physical copies, digital books can be stored and carried on a single device, such as a tablet or smartphone, saving valuable space and weight. This convenience makes it possible for readers to have their entire library at their fingertips, whether they are commuting, traveling, or simply enjoying a lazy afternoon at home. Additionally, digital files are easily searchable, enabling readers to locate specific information within seconds. With a few keystrokes, users can search for keywords, topics, or phrases, making research and finding relevant information a breeze. This efficiency saves time and effort, streamlining the learning process.

and allowing individuals to focus on extracting the information they need. Furthermore, the availability of free PDF books and manuals fosters a culture of continuous learning. By removing financial barriers, more people can access educational resources and pursue lifelong learning, contributing to personal growth and professional development. This democratization of knowledge promotes intellectual curiosity and empowers individuals to become lifelong learners, promoting progress and innovation in various fields. It is worth noting that while accessing free Yanmar 6ly3 Series Marine Diesel Engine Service Repair Manual PDF books and manuals is convenient and cost-effective, it is vital to respect copyright laws and intellectual property rights. Platforms offering free downloads often operate within legal boundaries, ensuring that the materials they provide are either in the public domain or authorized for distribution. By adhering to copyright laws, users can enjoy the benefits of free access to knowledge while supporting the authors and publishers who make these resources available. In conclusion, the availability of Yanmar 6ly3 Series Marine Diesel Engine Service Repair Manual free PDF books and manuals for download has revolutionized the way we access and consume knowledge. With just a few clicks, individuals can explore a vast collection of resources across different disciplines, all free of charge. This accessibility empowers individuals to become lifelong learners, contributing to personal growth, professional development, and the advancement of society as a whole. So why not unlock a world of knowledge today? Start exploring the vast sea of free PDF books and manuals waiting to be discovered right at your fingertips.

FAQs About Yanmar 6ly3 Series Marine Diesel Engine Service Repair Manual Books

1. Where can I buy Yanmar 6ly3 Series Marine Diesel Engine Service Repair Manual books? Bookstores: Physical bookstores like Barnes & Noble, Waterstones, and independent local stores. Online Retailers: Amazon, Book Depository, and various online bookstores offer a wide range of books in physical and digital formats.
2. What are the different book formats available? Hardcover: Sturdy and durable, usually more expensive. Paperback: Cheaper, lighter, and more portable than hardcovers. E-books: Digital books available for e-readers like Kindle or software like Apple Books, Kindle, and Google Play Books.
3. How do I choose a Yanmar 6ly3 Series Marine Diesel Engine Service Repair Manual book to read? Genres: Consider the genre you enjoy (fiction, non-fiction, mystery, sci-fi, etc.). Recommendations: Ask friends, join book clubs, or explore online reviews and recommendations. Author: If you like a particular author, you might enjoy more of their work.
4. How do I take care of Yanmar 6ly3 Series Marine Diesel Engine Service Repair Manual books? Storage: Keep them

- away from direct sunlight and in a dry environment. Handling: Avoid folding pages, use bookmarks, and handle them with clean hands. Cleaning: Gently dust the covers and pages occasionally.
5. Can I borrow books without buying them? Public Libraries: Local libraries offer a wide range of books for borrowing. Book Swaps: Community book exchanges or online platforms where people exchange books.
 6. How can I track my reading progress or manage my book collection? Book Tracking Apps: Goodreads, LibraryThing, and Book Catalogue are popular apps for tracking your reading progress and managing book collections. Spreadsheets: You can create your own spreadsheet to track books read, ratings, and other details.
 7. What are Yanmar 6ly3 Series Marine Diesel Engine Service Repair Manual audiobooks, and where can I find them? Audiobooks: Audio recordings of books, perfect for listening while commuting or multitasking. Platforms: Audible, LibriVox, and Google Play Books offer a wide selection of audiobooks.
 8. How do I support authors or the book industry? Buy Books: Purchase books from authors or independent bookstores. Reviews: Leave reviews on platforms like Goodreads or Amazon. Promotion: Share your favorite books on social media or recommend them to friends.
 9. Are there book clubs or reading communities I can join? Local Clubs: Check for local book clubs in libraries or community centers. Online Communities: Platforms like Goodreads have virtual book clubs and discussion groups.
 10. Can I read Yanmar 6ly3 Series Marine Diesel Engine Service Repair Manual books for free? Public Domain Books: Many classic books are available for free as they're in the public domain. Free E-books: Some websites offer free e-books legally, like Project Gutenberg or Open Library.

Find Yanmar 6ly3 Series Marine Diesel Engine Service Repair Manual :

~~yahweh to hell why we need jesus out of politics~~

[yamaha bruin shop manual](#)

yakari vol 1 infantil y juvenil

yamaha cvp service manual

~~xxl leseprobe traumbold mystery roman dana m ller ebook~~

[yamaha apex service manual](#)

yamaha cy50 jog service repair manual 1991 2000

yamaha atv yfm 350 wolverine 1987 2006 factory service repair manual

yaesu ft 2800m service manual

xq60 generator operator manual

yamaha yb100 workshop manual

yamaha 350 moto 4 manual

yamaha atv owners manual canada

yale glp forklift service repair manual

yamaha 86 91 9 9 15hp workshop manual

Yanmar 6ly3 Series Marine Diesel Engine Service Repair Manual :

heimat und welt heimat und welt startseite - Mar 11 2023

web unter dem label heimat und welt werden interaktive karten zu verschiedenen unterrichtsthemen vertrieben diercke weltatlas die welt online entdecken home kartensuche Über den atlas durch die generallegende können migranten und flüchtlingskinder mit den heimat und welt atlanten arbeiten und lernen und

heimat und welt weltatlas ausgabe 2006 hessen hei copy - Feb 10 2023

web neueren konzepten und methoden im feld der kulturwissenschaftlichen grundlagenforschung und inhaltlichen fragestellungen sie zielt darauf die gegenwärtige diskussion in den kulturwissenschaften

heimat und welt weltatlas ausgabe 2006 hessen hei copy - Aug 04 2022

web apr 13 2023 heimat und welt weltatlas ausgabe 2006 hessen hei 2 9 downloaded from uniport edu ng on april 13 2023 by guest presents an original and comprehensive collection of essays from international experts in the field of folklore studies unprecedented in depth and scope this state of the art collection uniquely displays the vitality of folklore

heimat und welt weltatlas ausgabe 2006 hessen hei pdf full - Aug 16 2023

web heimat und welt weltatlas ausgabe 2006 hessen hei pdf is welcoming in our uniport edu ng uniport edu ng heimat und welt weltatlas ausgabe 2006

heimat und welt weltatlas ausgabe 2006 hessen hei copy - Apr 12 2023

web heimat und welt weltatlas ausgabe 2006 hessen hei deutschland die westliche mitte the national union catalogs 1963

heimat und welt weltatlas sachsen subject catalog library of congress catalog heimat und welt weltatlas thüringen heimat

und welt weltatlas sachsen anhalt libri geographische rundschau heimat und welt 5 6

heimat und welt weltatlas ausgabe 2006 hessen hei - Jun 02 2022

web heimat und welt weltatlas ausgabe 2006 hessen hei brilliant maps atlas obscura heimat und welt heimat und welt

weltatlas baden württemberg heimat und welt weltatlas berlin brandenburg english g lighthouse 1 5 schuljahr workbook mit cd rom e workbook und cd libri the secret garden heimat und welt geografie für

[heimat und welt weltatlas ausgabe 2006 hessen hei pdf](#) - Sep 05 2022

web jul 18 2023 heimat und welt weltatlas ausgabe 2006 hessen hei 2 14 downloaded from uniport edu ng on july 18 2023 by guest being a kid in a candy store so many neat things catch your eye that it s difficult to decide which one to try that s where genealogy online for dummies 5th edition comes in this completely practical

heimat und welt weltatlas ausgabe 2006 hessen hei james - Jan 09 2023

web this heimat und welt weltatlas ausgabe 2006 hessen hei as one of the most dynamic sellers here will definitely be accompanied by the best options to review christianization and the rise of christian monarchy nora

pdf heimat und welt weltatlas ausgabe 2006 hessen hei - May 13 2023

web heimat und welt weltatlas ausgabe 2006 hessen hei bibliographie der deutschen sprach und literaturwissenschaft aug 29 2022 zwischen identität und image jun 02 2020 das praxissemester im lehramtsstudium in hessen feb 08 2021 dieser band sammelt forschungsbeiträge die aus der wissenschaftlichen begleitung der hessischen

heimat und welt weltatlas ausgabe für realschulen in bayern amazon de - Feb 27 2022

web heimat und welt weltatlas ausgabe für realschulen in bayern amazon de bücher zum hauptinhalt wechseln de hallo lieferadresse wählen bücher wähle die kategorie aus in der du suchen möchtest suche amazon de de hallo anmelden konto und listen warenrücksendungen und bestellungen einkaufs wagen

heimat und welt weltatlas ausgabe 2006 hessen heimat und welt weltatlas - Jun 14 2023

web ausgabe 2006 hessen heimat heimat und welt universalatlas hessen heimat und welt heimat und welt materialien zum atlas heimat und welt heimat und welt fuer zvb jett aidan heimat und welt weltatlas

[heimat und welt weltatlas ausgabe 2006 hessen hei copy](#) - Oct 06 2022

web may 29 2023 heimat und welt weltatlas ausgabe 2006 hessen hei 2 10 downloaded from uniport edu ng on may 29 2023 by guest der jüdische friedhof weissensee britta wauer 2010 paleontological collections of germany austria and switzerland lothar a beck 2018 11 19 this book is devoted to 250 years of collecting organizing and

heimat und welt weltatlas ausgabe 2006 hessen hei - Jan 29 2022

web aug 6 2023 heimat und welt weltatlas ausgabe 2006 hessen hei 2 7 downloaded from uniport edu ng on august 6 2023 by guest research more efficient and achieve your genealogical goal faster you ll learn how to start your research before you go online understand traditional methods of genealogy identify web sites that will

heimat und welt weltatlas ausgabe 2006 hessen heimat und welt weltatlas - Dec 28 2021

web heimat und welt weltatlas ausgabe 2006 hessen heimat de bestseller die beliebtesten artikel in 92369030 heimat und welt fuer zvb download heimat und welt weltatlas ausgabe 2006 hessen heimat und welt weltatlas aktuelle ausgabe thüringen heimat und welt weltatlas sachsen anhalt de bücher

heimat und welt weltatlas ausgabe 2006 hessen heimat und welt weltatlas - Mar 31 2022

web heimat und welt weltatlas ausgabe 2006 hessen heimat und welt weltatlas hessen by länderteil er beinhaltet nicht nur physische und politische karten sondern darüber hinaus auch zahlreiche thematische karten wie z b zu klima landwirtschaft umwelt wirtschaft

heimat und welt plus ausgabe 2021 für hessen westermann - Nov 07 2022

web heimat und welt plus berücksichtigt die vorgaben für die einzelfächer erdkunde geschichte und politik wirtschaft und fügt die fachspezifischen zugänge betrachtungsweisen und fragestellungen zu einem

heimat und welt weltatlas ausgabe 2006 hessen hei - Dec 08 2022

web start getting this info acquire the heimat und welt weltatlas ausgabe 2006 hessen hei partner that we present here and check out the link you could purchase lead heimat und welt weltatlas ausgabe 2006 hessen hei or acquire it as soon as feasible

free heimat und welt weltatlas ausgabe 2006 hessen hei - May 01 2022

web heimat und welt weltatlas ausgabe 2006 hessen hei 2006 catalogue feb 18 2022 der wettlauf der massen oct 05 2020 arzneimittel atlas 2014 feb 01 2023 der arzneimittel atlas für einen realistischen blick auf den arzneimittelmarkt valide informationen über den verbrauch von arzneimitteln

heimat und welt weltatlas ausgabe 2006 hessen heimat und welt - Jul 15 2023

web heimat und welt weltatlas ausgabe 2006 hessen heimat und welt weltatlas hessen isbn 9783141002447 kostenloser versand für alle bücher mit versand und verkauf duch amazon

heimat und welt weltatlas ausgabe 2006 hessen hei l - Jul 03 2022

web this heimat und welt weltatlas ausgabe 2006 hessen hei as one of the most working sellers here will enormously be along with the best options to review german publications on the united states 1933 to 1945 hans

jcb parts parts and service jcb com - Jan 14 2023

web the best deserve the best plain and simple our jcb genuine parts are designed to work in perfect harmony with your machine for optimum performance and productivity we want to ensure that these parts are readily available and only a click or phone call away

jcb 3cx t backhoe loader parts catalog manual pdf - Aug 09 2022

web oct 4 2020 bolt 3 8 quot unf x 3 quot nipple grease straight 1 8 bsp web ready fonts family parenting jcb 3cx t backhoe loader parts catalog manual pdf download

jcb 3cx compact operation and maintenance manual pdf download - Jun 07 2022

web this jcb 3cx compact operation and maintenance manual pdf download provides detailed instructions and illustrations for

repair and maintenance of your machine it is compatible with all windows and mac versions and can be printed unlimited times

jcb 3cx construction spare parts for jcb 3cx online - Sep 10 2022

web online catalog jcb 3cx spare parts construction jcb 3cx regular backhoe loader 9812 0010 m0960016 v jcb444 engine installation components v58 ccv filter outlet v58 1 1 ccv filter outlet v57 engine oil drain v57 1 1 engine oil drain v56 air conditioning compressor v56 1 1 compressor air conditioning v55 oil level dipstick tube

jcb 3cx spare parts digger parts - Apr 05 2022

web enquire now for jcb 3cx spare parts jcb 3cx spare parts digger parts offers a range of jcb 3cx replacement parts for order and shipping around the uk and beyond our parts are suitable for the entire range of jcb 3cx models if you require jcb parts not listed on our website then give us a call to enquire whether we can source it for you

jcb 3cx parts manual free download by eddiegatton4440 issuu - Mar 04 2022

web sep 22 2017 jcb 3cx parts manual free download pdf 276 13 kb 25 aug 2014 table of content introduction brief description main topic technical note appendix glossary pdf file jcb 3cx parts manual

jcb manuals download - Aug 21 2023

web if you are looking for a detailed guide and instructions reference to repair jcb equipment or need the parts references then these manuals will definitely help you our large inventories has more than 1 000 manuals which is same as the provided by the jcb company

jcb 3cx free pdf manuals download manualslib - Mar 16 2023

web jcb 3cx service manual 15 pages backhoe loader technical data component identification remove and install brand jcb category compact loader size 0 91 mb

3cx 4cx jcb - Jan 02 2022

web quick reference guide 3cx 4cx quick reference guide this quick reference guide does not replace the operators manual you must read all the disclaimers and safety and other instructions in the operators manual before initially operating this product

jcb 3cx service manual pdf download manualslib - Apr 17 2023

web view and download jcb 3cx service manual online backhoe loader 3cx compact loader pdf manual download also for 4cx 5cx 5cx wastemaster eco

jcb 3cx 4cx parts pdf piston transmission mechanics - Dec 13 2022

web jcb 3cx 4cx parts free download as pdf file pdf text file txt or read online for free 20 series spare parts manual august 2012 gamag catalog schwitzer catalog schwitzer hilal melhem curso cat 320 330b sistema stmg 1 curso cat 320 330b

sistema stmg 1 silas f pimenta

[jcb 3cx manual backhoe loader parts catalogue manual](#) - May 06 2022

web jul 24 2022 read jcb 3cx manual backhoe loader parts catalogue manual serial number 00930000 00959999 by dk8ms9eidokdz on issuu and browse thousands of other

[3cx cab manual controls instrument panel jcb](#) - Jul 20 2023

web dec 2 2020 r starter switch s auxiliary power socket t auxiliary circuit controls u loader controls v park brake w accelerator pedal x gear lever y multi purpose switch z speedometer aa visibility aids ab roof switches immobilizer led ac extreme cold climate heater switch revision 1 0 12 2 2020

[jcb 3cx t backhoe loader parts catalog manual](#) - Jul 08 2022

web description disclaimer download pdf jcb 3cx t backhoe loader parts catalog manual we offer a downloadable version of the jcb 3cx t backhoe loader parts catalog manual that is available for instant access after purchase

[jcb parts cookies](#) - Oct 11 2022

web the only place to buy genuine jcb parts online login now or create an account

backhoe loaders 3cx compact jcb - Nov 12 2022

web more compact the 3cx compact is designed for big performance in small spaces making it perfect for confined and urban job sites the 3cx compact is 35 percent smaller than a standard backhoe loader at 6 feet 6 inches 1 99 m wide and 9 feet 2 74 m high the 3cx compact is 20 inches

[jcb 3cx disassembly and assembly tractor parts manual pdf](#) - Jun 19 2023

web jcb 3cx disassembly and assembly tractor parts manual pdf free download diesel engine fault code dtc download pdf free operation and maintenance manual backhoe loader service manual 3cx 4cx jcb 3cx operation s manual free workshop manual pdf service manual download free

[jcb 3cx 2 backhoe loader parts catalogue manual serial](#) - Feb 03 2022

web sep 1 2022 jcb 3cx 2 backhoe loader parts catalogue manual serial number 00930000 00959999

[jcb 3cx service manual pdf download manualslib](#) - May 18 2023

web view and download jcb 3cx service manual online 3cx compact excavator pdf manual download also for 4cx

[jcb 4cx manuals manualslib](#) - Dec 01 2021

web jcb 4cx pdf user manuals view online or download jcb 4cx service manual sign in upload manuals brands jcb manuals 4cx and 3cx super 4x4x4 165 s mode schematics 166 inspecting parts 446 preload adjustment 446 loader valve fixed flow removal and replacement 447

[jcb 3cxg service manual pdf download manualslib](#) - Feb 15 2023

web view and download jcb 3cxg service manual online backhoe loader 3cxg compact loader pdf manual download
[jcb 3cx service manual pdf download manualslib](#) - Oct 23 2023

web view and download jcb 3cx service manual online backhoe loader 3cx compact loader pdf manual download also for 214
4cx 214e 215 217

[jcb 3cx manuals manualslib](#) - Sep 22 2023

web we have 4 jcb 3cx manuals available for free pdf download service manual jcb 3cx service manual 891 pages backhoe
loader brand jcb category other size 39 2 mb table of contents machine nomenclature 2 colour coding 3 table of contents 4
machine identification plate 5 typical vehicle identification number vin 5 serial plates 6

50 bestie quotes captions and sayings for best friends - Apr 04 2023

web dec 5 2020 the ultimate list of bestie quotes to share with your bff the bond you share is unbreakable they aren t only
your best friend they are your ride or die bff always there no matter what your friendship has given you strength through the
hard times and someone to celebrate with in the good times

all the bestie etsy - Nov 30 2022

web check out our all the bestie selection for the very best in unique or custom handmade pieces from our shops

tureng all the best türkçe İngilizce sözlük - Aug 08 2023

web atb all the best expr her şey gönlünce olsun İngilizce türkçe online sözlük tureng kelime ve terimleri çevir ve farklı
aksanlarda sesli dinleme all the best her şey gönlünüzce olsun all the best bol şanslar ne demek

bestie definition and meaning collins english dictionary - Feb 02 2023

web 2 days ago bestie definition your bestie is your best friend meaning pronunciation translations and examples

[ask elaine how to confront work bestie about her offensive](#) - Mar 23 2022

web november 7 2023 at 9 00 a m est maríaalconada brooks the washington post istock dear elaine i work in a
manufacturing environment on paper i m more educated than my co workers i am

[bestie english meaning cambridge dictionary](#) - Oct 10 2023

web bestie english meaning cambridge dictionary meaning of bestie in english bestie noun c informal uk 'bes ti us 'bes ti uk
also bezzie bezzie mate add to word list

[woman s goodbye to work bestie who shared corporate](#) - Feb 19 2022

web on tiktok the accountant jess rincon shared the moment she broke the news of her resignation to her work bestie she
said trauma bonding with her colleague had helped her survive the intense pressures of her job others said they could
profoundly relate and shared the unique significance of their friendships at work

bestie definition meaning synonyms vocabulary com - Mar 03 2023

web the word bestie is an informal shorthand for best friend it s been used for decades by people describing their closest confidants but it began appearing in dictionaries as a

tureng bestie türkçe İngilizce sözlük - Sep 09 2023

web İngilizce türkçe online sözlük tureng kelime ve terimleri çevir ve farklı aksanlarda sesli dinleme bestie dost bestie kanka ne demek

bestie definition meaning merriam webster - May 05 2023

web oct 24 2023 helena mc Alpine examples of bestie in a sentence recent examples on the web an unexpected Taylor Swift costume could work for couples besties or just as a

bestie 2022 imdb - May 25 2022

web jul 8 2022 bestie directed by Ranga Kumar with Yaashika Aanand Ashok Kumar Balakrishnan Lollu Sabha Jeeva Lollu Sabha Maaran a couple decide to go on a date to a house near a sea shore but mysterious things begin to happen there

bestie meaning what s the true definition of bestie - Oct 30 2022

web sep 25 2023 love English bestie meaning what s the true definition of bestie September 25 2023 are you intrigued by the meaning of the slang term bestie perhaps you ve heard it being used by your peers or spotted it on social media this informal expression is used to describe someone s closest friend

besties 2021 imdb - Jun 25 2022

web mar 9 2022 besties directed by Marion Desseigne Ravel with Lina El Arabi Esther Bernet Rollande Kiyane Benamara Mahia Zrouki Nedjma is spending her days hanging out with her squad however everything changes when her path collides with Zina the newly arrived cousin of the leader of a rival squad

bestie Cambridge English Thesaurus with synonyms and examples - Sep 28 2022

web bestie thesaurus a person you know well and like bestie these are words and phrases related to bestie click on any word or phrase to go to its thesaurus page or

bestie Cambridge İngilizce Sözlüğü ndeki anlamı - Jun 06 2023

web bestie anlam tanım bestie nedir 1 someone s best friend 2 someone s best friend daha fazlasını öğren

bestie definition in American English Collins English Dictionary - Aug 28 2022

web nov 8 2023 English Dictionary Sentences Grammar Definition of bestie bestie besti word forms besties plural countable noun your bestie is your best friend informal she

bff besties youtube - Apr 23 2022

web we make fun parody and cosplay videos for teens every week as well as other unique collabs with some of our besties on youtube subscribe to our channel to become one of our bff besties too

what does bestie mean meaning uses and more fluentslang - Jul 07 2023

web sep 19 2023 girls use the term bestie in conversations with their friends or when talking about their closest friend it s a way to express affection and camaraderie girls may also use it on social media platforms like tiktok or snapchat to refer to their best friends in a public and lighthearted way

why is everyone suddenly calling each other bestie in the know - Jan 01 2023

web mar 26 2021 when the tiktok famous couple was spotted together in august 2020 a paparazzo remarked that they make a beautiful couple a couple of besties d amelio responded as beck laughed it then became a sort of friend zoning meme on tiktok in which people would call their significant others bestie they would also imply that close

bestie youtube - Jul 27 2022

web bestie loves to produce videos that offer relationship advice tell you about the latest and greatest tips and hacks that will save you hours of work give health advice that will keep you healthy