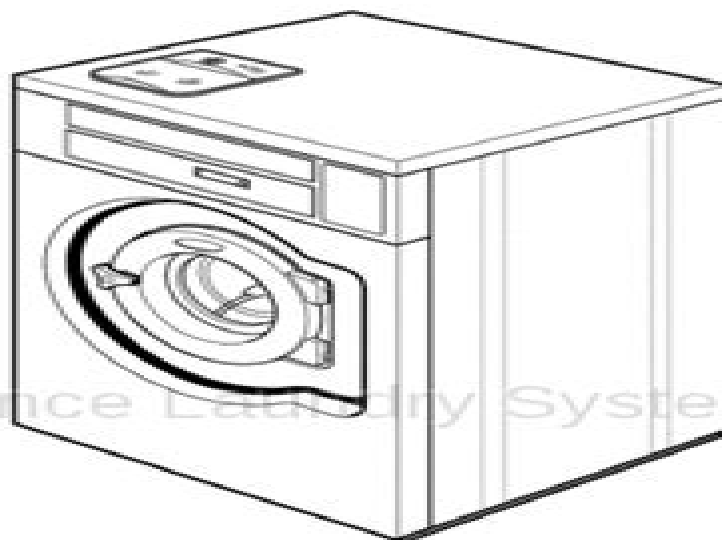


**WASCOMAT**

**Spare Parts Catalogue**  
**Catalogue de pièces de rechange**

---



Alliance Laundry Systems

**E655, W655**

**Washer extractor**  
**Laveusesessoreuses**

---

Valid up to machine No. xxx/99999

DOC. NO. 438 9191-12  
EDITION 44.2009

# Wascomat Service Manual W655

**SB Merriam**



**Wascomat Service Manual W655:**

*Automatic Washer Service Manual*, 197?

**Automatic Washer Service Manual** Magic Chef, inc, 1980

## Reviewing **Wascomat Service Manual W655**: Unlocking the Spellbinding Force of Linguistics

In a fast-paced world fueled by information and interconnectivity, the spellbinding force of linguistics has acquired newfound prominence. Its capacity to evoke emotions, stimulate contemplation, and stimulate metamorphosis is really astonishing. Within the pages of "**Wascomat Service Manual W655**," an enthralling opus penned by a highly acclaimed wordsmith, readers embark on an immersive expedition to unravel the intricate significance of language and its indelible imprint on our lives. Throughout this assessment, we shall delve to the book is central motifs, appraise its distinctive narrative style, and gauge its overarching influence on the minds of its readers.

[https://ftp.barnabastoday.com/book/scholarship/Download\\_PDFS/yamaha\\_road\\_star\\_roadstar\\_midnight\\_silverado\\_xv17atm\\_complete\\_workshop\\_repair\\_manual\\_2004\\_2007.pdf](https://ftp.barnabastoday.com/book/scholarship/Download_PDFS/yamaha_road_star_roadstar_midnight_silverado_xv17atm_complete_workshop_repair_manual_2004_2007.pdf)

### **Table of Contents Wascomat Service Manual W655**

1. Understanding the eBook Wascomat Service Manual W655
  - The Rise of Digital Reading Wascomat Service Manual W655
  - Advantages of eBooks Over Traditional Books
2. Identifying Wascomat Service Manual W655
  - Exploring Different Genres
  - Considering Fiction vs. Non-Fiction
  - Determining Your Reading Goals
3. Choosing the Right eBook Platform
  - Popular eBook Platforms
  - Features to Look for in an Wascomat Service Manual W655
  - User-Friendly Interface
4. Exploring eBook Recommendations from Wascomat Service Manual W655
  - Personalized Recommendations
  - Wascomat Service Manual W655 User Reviews and Ratings

- Wascomat Service Manual W655 and Bestseller Lists
- 5. Accessing Wascomat Service Manual W655 Free and Paid eBooks
  - Wascomat Service Manual W655 Public Domain eBooks
  - Wascomat Service Manual W655 eBook Subscription Services
  - Wascomat Service Manual W655 Budget-Friendly Options
- 6. Navigating Wascomat Service Manual W655 eBook Formats
  - ePub, PDF, MOBI, and More
  - Wascomat Service Manual W655 Compatibility with Devices
  - Wascomat Service Manual W655 Enhanced eBook Features
- 7. Enhancing Your Reading Experience
  - Adjustable Fonts and Text Sizes of Wascomat Service Manual W655
  - Highlighting and Note-Taking Wascomat Service Manual W655
  - Interactive Elements Wascomat Service Manual W655
- 8. Staying Engaged with Wascomat Service Manual W655
  - Joining Online Reading Communities
  - Participating in Virtual Book Clubs
  - Following Authors and Publishers Wascomat Service Manual W655
- 9. Balancing eBooks and Physical Books Wascomat Service Manual W655
  - Benefits of a Digital Library
  - Creating a Diverse Reading Collection Wascomat Service Manual W655
- 10. Overcoming Reading Challenges
  - Dealing with Digital Eye Strain
  - Minimizing Distractions
  - Managing Screen Time
- 11. Cultivating a Reading Routine Wascomat Service Manual W655
  - Setting Reading Goals Wascomat Service Manual W655
  - Carving Out Dedicated Reading Time
- 12. Sourcing Reliable Information of Wascomat Service Manual W655
  - Fact-Checking eBook Content of Wascomat Service Manual W655
  - Distinguishing Credible Sources

13. Promoting Lifelong Learning
  - Utilizing eBooks for Skill Development
  - Exploring Educational eBooks
14. Embracing eBook Trends
  - Integration of Multimedia Elements
  - Interactive and Gamified eBooks

### **Wascomat Service Manual W655 Introduction**

Wascomat Service Manual W655 Offers over 60,000 free eBooks, including many classics that are in the public domain. Open Library: Provides access to over 1 million free eBooks, including classic literature and contemporary works. Wascomat Service Manual W655 Offers a vast collection of books, some of which are available for free as PDF downloads, particularly older books in the public domain. Wascomat Service Manual W655 : This website hosts a vast collection of scientific articles, books, and textbooks. While it operates in a legal gray area due to copyright issues, its a popular resource for finding various publications. Internet Archive for Wascomat Service Manual W655 : Has an extensive collection of digital content, including books, articles, videos, and more. It has a massive library of free downloadable books. Free-eBooks Wascomat Service Manual W655 Offers a diverse range of free eBooks across various genres. Wascomat Service Manual W655 Focuses mainly on educational books, textbooks, and business books. It offers free PDF downloads for educational purposes. Wascomat Service Manual W655 Provides a large selection of free eBooks in different genres, which are available for download in various formats, including PDF. Finding specific Wascomat Service Manual W655, especially related to Wascomat Service Manual W655, might be challenging as theyre often artistic creations rather than practical blueprints. However, you can explore the following steps to search for or create your own Online Searches: Look for websites, forums, or blogs dedicated to Wascomat Service Manual W655, Sometimes enthusiasts share their designs or concepts in PDF format. Books and Magazines Some Wascomat Service Manual W655 books or magazines might include. Look for these in online stores or libraries. Remember that while Wascomat Service Manual W655, sharing copyrighted material without permission is not legal. Always ensure youre either creating your own or obtaining them from legitimate sources that allow sharing and downloading. Library Check if your local library offers eBook lending services. Many libraries have digital catalogs where you can borrow Wascomat Service Manual W655 eBooks for free, including popular titles. Online Retailers: Websites like Amazon, Google Books, or Apple Books often sell eBooks. Sometimes, authors or publishers offer promotions or free periods for certain books. Authors Website Occasionally, authors provide excerpts or short stories for free on their websites. While this might not be the Wascomat Service Manual W655 full book , it can give you a taste of the authors writing style. Subscription

Services Platforms like Kindle Unlimited or Scribd offer subscription-based access to a wide range of Wascomat Service Manual W655 eBooks, including some popular titles.

### **FAQs About Wascomat Service Manual W655 Books**

**What is a Wascomat Service Manual W655 PDF?** A PDF (Portable Document Format) is a file format developed by Adobe that preserves the layout and formatting of a document, regardless of the software, hardware, or operating system used to view or print it. **How do I create a Wascomat Service Manual W655 PDF?** There are several ways to create a PDF: Use software like Adobe Acrobat, Microsoft Word, or Google Docs, which often have built-in PDF creation tools. **Print to PDF:** Many applications and operating systems have a "Print to PDF" option that allows you to save a document as a PDF file instead of printing it on paper. **Online converters:** There are various online tools that can convert different file types to PDF. **How do I edit a Wascomat Service Manual W655 PDF?** Editing a PDF can be done with software like Adobe Acrobat, which allows direct editing of text, images, and other elements within the PDF. Some free tools, like PDFescape or Smallpdf, also offer basic editing capabilities. **How do I convert a Wascomat Service Manual W655 PDF to another file format?** There are multiple ways to convert a PDF to another format: Use online converters like Smallpdf, Zamzar, or Adobe Acrobat's export feature to convert PDFs to formats like Word, Excel, JPEG, etc. Software like Adobe Acrobat, Microsoft Word, or other PDF editors may have options to export or save PDFs in different formats. **How do I password-protect a Wascomat Service Manual W655 PDF?** Most PDF editing software allows you to add password protection. In Adobe Acrobat, for instance, you can go to "File" -> "Properties" -> "Security" to set a password to restrict access or editing capabilities. **Are there any free alternatives to Adobe Acrobat for working with PDFs?** Yes, there are many free alternatives for working with PDFs, such as: LibreOffice: Offers PDF editing features. PDFsam: Allows splitting, merging, and editing PDFs. Foxit Reader: Provides basic PDF viewing and editing capabilities. **How do I compress a PDF file?** You can use online tools like Smallpdf, ILovePDF, or desktop software like Adobe Acrobat to compress PDF files without significant quality loss. Compression reduces the file size, making it easier to share and download. **Can I fill out forms in a PDF file?** Yes, most PDF viewers/editors like Adobe Acrobat, Preview (on Mac), or various online tools allow you to fill out forms in PDF files by selecting text fields and entering information. **Are there any restrictions when working with PDFs?** Some PDFs might have restrictions set by their creator, such as password protection, editing restrictions, or print restrictions. Breaking these restrictions might require specific software or tools, which may or may not be legal depending on the circumstances and local laws.

**Find Wascomat Service Manual W655 :**

[yamaha road star roadstar midnight silverado xv17atm complete workshop repair manual 2004 2007](#)

[yamaha virago 1100 1998 manual](#)

**yamaha waverunner 3 jetski owners manual**

**yamaha waverunner vx700 2011 factory service repair manual**

[yamaha rd250 rd350 full service repair manual 1973 onwards](#)

[yamaha vino 125 scooter manual](#)

**yamaha rx50 manual**

**yamaha waverunner xl760 xl1200 workshop manual**

[yamaha warrior yfm350xe full service repair manual 1991 1992](#)

**yamaha tdm900 tdm 900 2002 2012 service repair workshop manual instant**

[yamaha vmax outboard manual](#)

[yamaha rx v1600 ax v1600 service manual repair guide](#)

**yamaha ttr 125 engine rebuild manual**

[yamaha tmax owners manual](#)

**yamaha rhino yxr45f workshop repair manual 2006 2011**

**Wascomat Service Manual W655 :**

**mitsubishi pajero iii service manuals mmc manuals** - Jun 01 2022

web mitsubishi pajero 2001 2003 service manuals eng pdf in zip archive 216 mb mitsubishi pajero di d 3 2 165 hp equipped with stt emtec optimizing system technical handbook eng pdf 3 92 mb body repair manuals mitsubishi pajero 2001 body repair manual eng pdf online version offline version zip archive 5 62 mb

*1997 mitsubishi pajero service repair manuals pdf download motor era* - Nov 06 2022

web motor era has the best selection of service repair manuals for your 1997 mitsubishi pajero download your manual now money back guarantee 1997 mitsubishi pajero service repair manuals

[2001 pajero workshop manual pdf 31 2 mb mitsubishi club](#) - Jun 13 2023

web 2001 pajero workshop manual pdf engine 6g72 2 972cc v6 engine 6g73 3 496cc v6 engine 4d56 2 477cc turbo diesel engine 4m41 3 400cc turbo diesel this workshop manual contains procedures for service mechanics including removal disassembly inspection adjustment reassembly and installation



**mitsubishi motors pajero automobile owner s manual manualslib** - Mar 30 2022

web view and download mitsubishi motors pajero owner s manual online pajero automobile pdf manual download

**mitsubishi pajero manual pdf download manualslib** - Jul 14 2023

web view and download mitsubishi pajero manual online electrical system pajero automobile pdf manual download

*mitsubishi workshop repair owners manuals 100 free* - Jul 02 2022

web mitsubishi service and repair manuals how to find your mitsubishi workshop or owners manual we have 766 free pdf s spread across 34 mitsubishi vehicles to narrow down your search please use the dropdown box above or select from one of the available vehicles in the list below

*mitsubishi pajero2008 v6 3000 service manuel instruction* - Jan 28 2022

web nov 24 2020 mitsubishi pajero2008 v6 3000 service manuel motor era has the best selection of service repair manuals for your mitsubishi pajero download your manual now money back guarantee mitsubishi pajero service repair manuals mitsubishi pajero montero workshop repair service manual mut iii gb printable

*mitsubishi pajero v6 3000 service pdf master tetra* - Feb 26 2022

web 1x1px meget free 94 mitsubishi pajero v6 3000 service manual the year 1995 up to march 1995 for europe including acceleration times 0 60 mph 0 100 mph 0 100 km h 0 200

**mitsubishi pajero v6 3500 İçin manual Şanzıman arazisi İle** - Dec 27 2021

web sep 2 2013 mitsubishi pajero v6 3500 için manual şanzıman arazisi ile komple ayrı verilmez fiyatı 4 500 tl gezenbİlİR derne

mitsubishi pajero montero shogun manuals mitsubishi - Apr 11 2023

web mitsubishi pajero montero fsm 1992 engine chassis body repair manuals 129 mb english 704 pajero montero shogun ii v20 1992 1992 pajero montero electrical service manual pdf 1992 mitsubishi pajero montero electrical service manual repair manuals 56 2 mb english

mitsubishi pajero v6 3000 service manual united states - Sep 04 2022

web feb 21 2023 this is the highly detailed factory service repair manual for the2000 mitsubishi montero pajero this service manual has detailed illustrations as well as step by step instructions it is 100 percents complete and intact they are specifically written for the do it yourself er as well as the experienced mechanic 2000 mitsubishi

**mitsubishi pajero montero shogun repair manuals manuals** - Mar 10 2023

web engine 6g72 2 972cc v6 engine 6g73 3 496cc v6 engine 4d56 2 477cc turbo diesel engine 4m41 3 400cc turbo diesel this workshop manual contains procedures for service mechanics including removal disassembly inspection adjustment reassem

*mitsubishi pajero free workshop and repair manuals* - May 12 2023

web mitsubishi pajero workshop repair and owners manuals for all years and models free pdf download for thousands of cars and trucks

*mitsubishi pajero shogun mk 1 and 2 l040 and v20 service* - Oct 05 2022

web australian haynes repair manual for the mitsubishi pajero i and ii petrol and diesel versions pajero i na nb nc nd ne and ng pajero ii nh nj and nk petrol engines 4 cylinders 2 6 litre 2556 cc 4g64 v6 3 0 litre 2972 cc sohc 6g72 and 3 5 litre 3497 cc dohc 6g74 including injection

**mitsubishi pajero v6 3000 service manual pdf pdf** - Apr 30 2022

web mitsubishi pajero v6 3000 service manual pdf upload mia a ferguson 1 5 downloaded from voto uneal edu br on august 18 2023 by mia a ferguson mitsubishi pajero v6 3000 service manual pdf mitsubishi pajero v6 3000 service manual pdf mitsubishi pajero v6 3000 service manual pdf book review unveiling the power of words

*mitsubishi pajero ii owner s manual pdf download manualslib* - Feb 09 2023

web view and download mitsubishi pajero ii owner s manual online pajero ii automobile pdf manual download

[mitsubishi pajero workshop manuals free download](#) - Jan 08 2023

web these service manuals has collected detailed information on the maintenance of the mitsubishi pajero the manual for the off road vehicle detailed information on its maintenance inspection troubleshooting and repair of the engine management system mas valve timing and valve lift mivec transfer case automatic transmissions

**mitsubishi pajero shogun mk 3 and 4 v60 and v80 workshop manuals** - Dec 07 2022

web aug 24 2023 a service manual for your mitsubishi pajero shogun mk 3 or 4 v60 or v80 discover here haynes and other workshop manuals for maintenance and repair of mitsubishi off road vehicles and pick ups mitsubishi pajero series nl nm np ns nt nw petrol diesel models 1997 2014 aus haynes repair manual

*mitsubishi pajero v6 3000 service manual united states* - Aug 03 2022

web jun 12 2023 mitsubishi pajero v6 3000 service manual or just about any type of ebooks for any type of product best of all they are entirely free to find use and download so there is no cost or stress at all mitsubishi pajero v6 3000 service manual pdf may not make exciting reading but mitsubishi pajero

**mitsubishi pajero repair service manuals 89 pdf s** - Aug 15 2023

web mitsubishi pajero service pdf s covering routine maintenance and servicing detailed mitsubishi pajero engine and associated service systems for repairs and overhaul pdf mitsubishi pajero transmission data service manual pdf mitsubishi pajero brakes and suspension pdf mitsubishi pajero wiring diagrams looking for a free

**aisc steel construction manual 13th fdocuments** - Jan 28 2022

web steel design guide aisc specification aisc 2005a has a lower yield strength than its astm a500 counterpart see table 1 1

all load tables in the 13th edition aisc steel construction

**whats new in the 2017 aist tech report 13 n23** - Dec 27 2021

web aist technical report 13 guide for the design and construction of mill buildings exists to provide designers and contractors guidance on the unique design and construction considerations for these structures in the first revision in over a decade the guide has been updated to incorporate current building code provisions updated design

specification for structural steel buildings aisc - Jun 13 2023

web the aisc specification for structural steel buildings allowable stress design and plastic design has evolved through numerous versions from the 1st edition published June 1 1923 each succeeding edition has been based upon past successful usage advances in the state of knowledge and changes in design practice the data

bolted connections steeltools - Feb 09 2023

web instantaneous center of rotation analysis of bolt groups using aisc tables as well as elastic method analysis and i based this program from alex tomanovich's boltgrp spreadsheet but updated it to the 13th edition

**aisc and 13th edition thor byteorbit com** - Feb 26 2022

web american institute of steel construction aisc specification for structural steel buildings 2010 edition the american society of civil engineers asce minimum design loads for buildings and other structures 2010 edition and the international code council icc international building code 2012 edition

*steel construction manual 13th edition book amazon com* - Jul 14 2023

web Feb 1 2006 this manual is the thirteenth major update of the aisc steel construction manual which was first published in 1927 with this revision the previously separate allowable stress design and load and resistance factor design methods have been combined thus this manual replaces both the 9th edition ASD manual and the 3rd

**specification for structural steel buildings aisc** - Dec 07 2022

web approved by the aisc committee on specifications american institute of steel construction 130 east Randolph Street Suite 2000 Chicago Illinois 60601 6204 ANSI AISC 360-16 an American National Standard AISC Part 16 Prelims 15th ed 2016 2016 11 15 11 22 AM page 1 black plate

**aisc 9th edition vs 13th edition structural engineering general** - May 12 2023

web Aug 19 2009 aisc has done an excellent job incorporating tables and design aids for beam columns connections composite action studs etc I just don't see logistically why it should take you any longer if you are using the ASD method of the 13th edition it

**historic steel construction manuals american institute of aisc** - Nov 06 2022

web historic steel construction manuals are only available to aisc members notes about the PDFs the manuals are best viewed

using adobe reader which displays a comprehensive table of contents within the application s bookmarks pane

**aisc asd 13th edition ams istanbul edu tr** - Oct 05 2022

web how to tab your aisc steel manual learn faster steel construction manual 13th edition book 1 asd vs lrfd aisc asd 9th edition chapter k introduction best steel design books used in the structural civil engineering industry aisc asd 9th edition chapter k web side way buckling case 1 aisc asd 9th edition chapter k web

*aisc steel construction manual 13th edition pdf slideshare* - Apr 30 2022

web jan 23 2023 aisc steel construction manual 13th edition pdf jan 23 2023 0 likes 574 views rafael pretel follow

*current standards american institute of steel construction aisc* - Aug 15 2023

web newest standards 2022 seismic provisions for structural steel buildings ansi aisc 341 the aisc seismic provisions apply to the design fabrication and erection of structural steel and composite steel and concrete seismic force resisting systems they are used in conjunction with the aisc specification for structural steel buildings

**aisc steel construction manual 13th edition ce tips** - Jun 01 2022

web aisc steel construction manual 13th edition ce tips 12 03 00 am this manual is the thirteenth major update of the aisc steel construction manual which was first published in 1927 with this revision the previously separate allowable stress design and load and resistance factor design methods have been combined

**d1 a american codes steel design per aisc 360 unified** - Sep 04 2022

web a american codes steel design per aisc 360 unified specification steel member design per ansi aisc 360 05 360 10 and 360 16 specifications for structural steel buildings is available in staad pro these specifications are published as part of the aisc steel construction manual since the asd and the lrfd method are both addressed in

**the steel construction manual** - Aug 03 2022

web the creation of the beginner s guide to the steel construction manual bgscm was prompted by the major rewrite of the aisc specification that appeared in the 13th edition of the steel construction manual scm

*pdf steel design lrfd aisc steel manual 13th edition bolted* - Jul 02 2022

web steel design lrfd aisc steel manual 13th edition bolted connections zortex41 41 in steel design it is often necessary to design bolted connections in order to design the bolted connections according to lrfd a variety of provisions must be considered

asd green book 9th edition vs lrfd asd black book aisc - Mar 30 2022

web jul 29 2008 the asd in the 13th edition is allowable strength design and the asd in the 9th edition is allowable stress design so they are not exactly the same but similar as civilperson so eloquently put it asd in the 13th is still based on strength not stress so it doesn t make sense to me why they still have 2 methods

**pdf aisc 13 pedro luis felix ayala academia edu** - Jan 08 2023

web aisc 13 pedro luis felix ayala the creation of the beginner s guide to the steel construction manual bgscm was prompted by the major rewrite of the aisc specification that appeared in the 13th edition of the steel construction manual scm

*download pdf aisc steel construction manual 13th edition second* - Apr 11 2023

web download aisc steel construction manual 13th edition second printing type pdf date october 2019 size 954 3kb author luis gonzales salazar this document was uploaded by user and they confirmed that they have the permission to share it if you are author or own the copyright of this book please report to us by using this dmca report

steel construction manual american institute of steel construction aisc - Mar 10 2023

web the most recent edition is the 16th published in 2023 the 15th edition was published in 2017 visit an edition of the steel construction manual to the left to learn more about it and get one for yourself

**original broadway cast of the little mermaid les poissons** - Mar 08 2023

web feb 26 2008 1 viewer 9 contributors les poissons lyrics les poissons les poissons how i love les poissons love to chop and to serve little fish first i cut off their heads then i

**restaurant review poisson serves up fine seafood in bukit** - Apr 09 2023

web may 14 2022 poisson is located at 48 bukit pasoh road singapore 089859 p 65 6223 2131 open tue sat 12pm 2pm 6pm 11 30pm emily seow chief editor emily heads the editorial team on city nomads by being a stickler for details a grammar nazi and a really picky eater born and bred in singapore she loves cats the written word and exploring

*the little mermaid les poisson lyrics mrsdisney0* - Dec 05 2022

web oct 30 2012 all rights go to disney i own nothingsles poissons video form the little mermaid with lyrics enjoy remember to subscribe thanks

*rene auberjonois les poissons from the little mermaid* - Oct 15 2023

web dec 9 2014 learn more les poissons is on now that s what i call disney 3 get it here smarturl it nd3a1 music video by rene auberjonois performing les poissons c 2014 walt disney records

**les poissons wikipedia** - Sep 14 2023

web les poissons in french les poissons simply means the fishes is a song from the 1989 film the little mermaid which is sung in the film and in the little mermaid broadway show by the character chef louis chef louis is voiced by rené auberjonois in the film and by john treacy egan in the broadway show

*les poissons the little mermaid live youtube* - Jun 11 2023

web nov 5 2019 watch john stamos perform les poissons on the little mermaid live on abc subscribe goo gl mo7hqt

poisson 48 bukit pasoh rd singapore singapore yelp - Feb 24 2022

web jul 8 2022 1 review of poisson pretty good set lunch at poisson bukit pasoh almost opposite of mandala club the restaurant as the name suggests meaning fish in french focuses on fish and other seafood for 48 you get a 3 course meal and a bread basket with salmon rilette coffee and macaron to end the meal not too bad for that price in a

[les poissons remastered 2014 youtube](#) - Mar 28 2022

web oct 24 2018 provided to youtube by universal music grouples poissons remastered 2014 rené auberjonoiswalt disney records the legacy collection the little mermaid 2

**the little mermaid clip les poissons 1989 youtube** - Nov 04 2022

web 0 00 4 23 the little mermaid clip les poissons 1989 plot a mermaid princess makes a faustian bargain in an attempt to become human and win a prince s love relea

*little mermaid les poissons the perfect fish dish sift* - Sep 02 2022

web mar 8 2021 in my big silver pot tout à l heure mon poisson au revoir little mermaid les poissons some of the best disney music comes from the film the little mermaid 1989 it is catchy often funny and gets stuck in your head in my case for decades one of my favorite songs is les poissons

**les poissons song lyrics the little mermaid 1989 disney** - Apr 28 2022

web les poissons 13 06 2022 krandreev les poissons is a song from 1989 disney musical animated film the little mermaid the song is sung by louis and performed by rené auberjonois

**english translation of les poissons collins online dictionary** - Jul 12 2023

web masculine noun fish je n aime pas le poisson i don t like fish léo a pêché deux poissons léo caught two fish les poissons pisces justine est poissons justine is pisces poisson d avril april fool pinning a paper fish to somebody s back is a traditional april fool joke in france un poisson rouge a goldfish

**les poissons chords by alan menken ultimate guitar com** - May 30 2022

web feb 13 2014 e f how on earth could i miss g f e such a sweet little succulent crab a g quel damage what a loss f g here we go in the sauce a g e now some flour i think just a dab g f now i stuff you with bread e f it don t hurt cause you re dead g f e and you re certainly lucky you are g g a b cause it

*disney les poissons lyrics lyrics com* - Jan 06 2023

web les poissons lyrics by disney from the classic disney vol 1 3 album including song video artist biography translations and more les poissons les poissons how i love les poissons love to chop and to serve little fish first i cut of their head

**les poissons villain song wiki fandom** - Jun 30 2022

web les poissons the fish is a song from disney s 1989 animated film the little mermaid it features chef louis singing about his love of cooking fish and other sea animals while sebastian looks horrified and tries to escape the kitchen unnoticed it was

performed by chef louis voice actor

*the little mermaid les poissons youtube* - Aug 01 2022

web jul 15 2008 part of the disney movie the little mermaid where chef louis is preparing a stuffed crab supper for prince eric ariel and grimsby louis discovers sebastia

poisson bukit pasoh road singapore food blog - Oct 03 2022

web may 27 2022 poisson 48 bukit pasoh road singapore 089859 tel 65 62232131 facebook website nearest mrt outram park ew ne te line opening hours tue fri 12pm 230pm 6pm 12midnight sat 11am 3pm 6pm 12midnight closed on sun mon direction 1 alight at outram park take exit 4 turn left and walk to destination

**rené auberjonois les poissons lyrics genius lyrics** - Feb 07 2023

web les poissons lyrics nouvelle cuisine les champs elysse maurice chevalier les poissons les poissons how i love les poissons love to chop and to serve little fish first i cut off

**les poissons disney wiki fandom** - Aug 13 2023

web les poissons is a song from the film the little mermaid it is sung by chef louis rené auberjonois it is a short comic relief song and ends with a classic chase scene between louis and sebastian set to jacques Offenbach's can can

fish tales at poisson lifestyle the business times - May 10 2023

web apr 28 2022 poisson a seafood restaurant with nautical inspired interiors photo poisson new restaurant poisson 48 bukit pasoh road singapore 089859 tel 6223 2131 open for lunch and dinner tues to sat 12pm to 2pm 6pm to 11 30pm