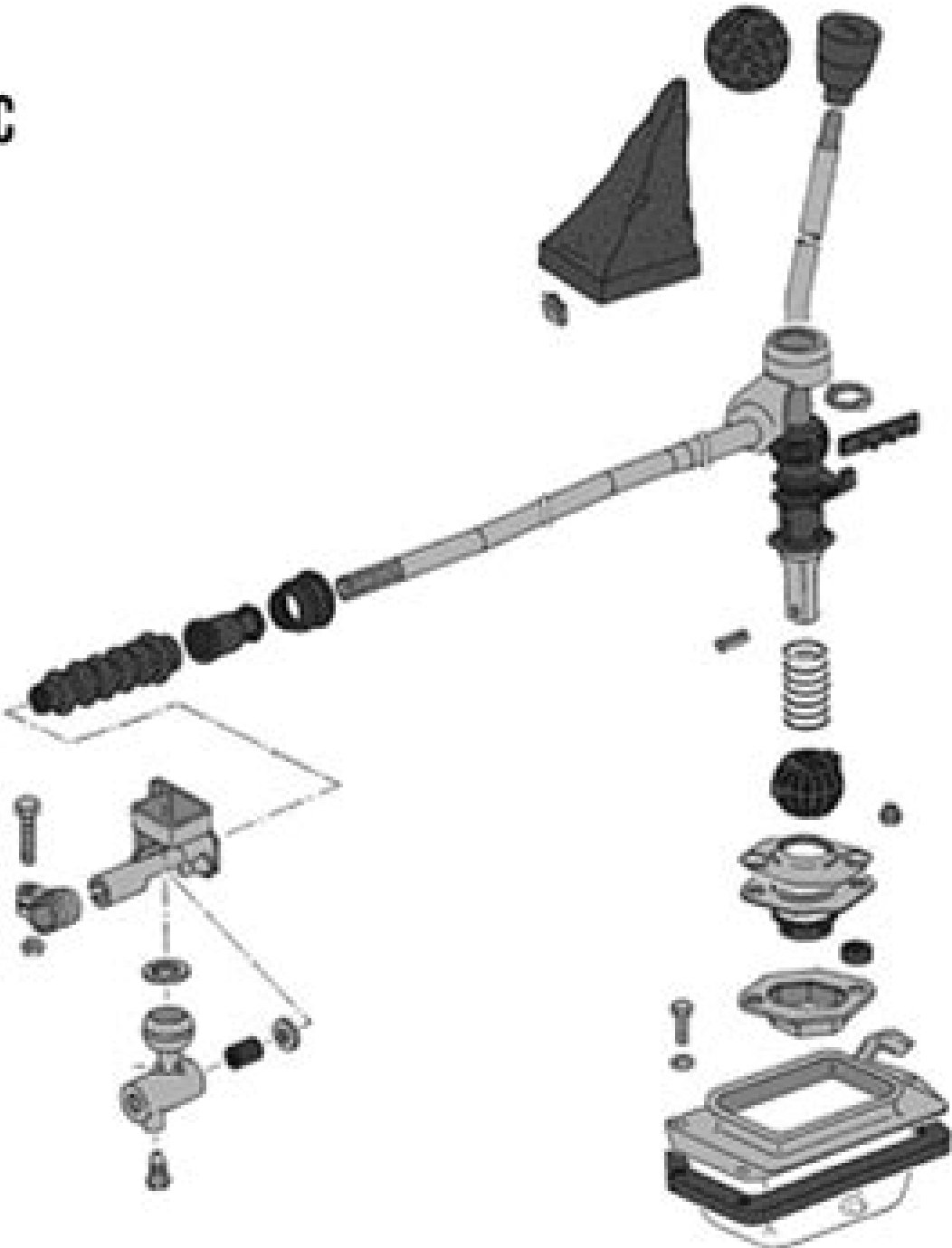


1050-1300CC



# Vw Golf 1 Gearbox Selector Seal Manual

**Bentley Publishers**



## **Vw Golf 1 Gearbox Selector Seal Manual:**

Volkswagen GTI Golf-Jetta Service Manual, 1985-1992 Robert Bentley, inc,1992 New information covers the 2 0 liter 16V engine ABS troubleshooting service CIS E Motronic fuel injection Digifant I fuel injection with On Board Diagnosis ECO Diesel full manual transaxle rebuilding procedures A special Fundamentals section has been added to the beginning of the manual to help the owner understand the basics of automotive systems repair procedures The most comprehensive Golf manual available

**Volkswagen Jetta, Golf, GTI, Cabrio Service Manual, 1993-1999** Bentley Publishers,Robert Bentley, inc,1999 Bentley Publishers is the exclusive factory authorized publisher of Volkswagen Service Manuals in the United States and Canada In every manual we provide full factory repair procedures specifications tolerances electrical wiring diagrams and lubrication and maintenance information Bentley manuals are the only complete authoritative source of Volkswagen maintenance and repair information Even if you never intend to service your car yourself you ll find that owning a Bentley Manual will help you to discuss repairs more intelligently with your service technician

**Volkswagen Jetta, Golf, GTI Service Manual** Bentley Publishers,2003 Bentley Publishers is the exclusive factory authorized publisher of Volkswagen Service Manuals in the United States and Canada In every manual we provide full factory repair procedures specifications tolerances electrical wiring diagrams and lubrication and maintenance information Bentley manuals are the only complete authoritative source of Volkswagen maintenance and repair information Even if you never intend to service your car yourself you ll find that owning a Bentley Manual will help you to discuss repairs more intelligently with your service technician

*VW Golf & Jetta Automotive Repair Manual* ,1997 Total Car Care is the most complete step by step automotive repair manual you ll ever use All repair procedures are supported by detailed specifications exploded views and photographs From the simplest repair procedure to the most complex trust Chilton s Total Car Care to give you everything you need to do the job Save time and money by doing it yourself with the confidence only a Chilton Repair Manual can provide

**Chilton's Import Car Repair Manual, 1986** ,1985 **Chilton's Import Car Manual** Chilton Book Company,1987 Motor Imported Car Repair Manual ,1987

**Volkswagen Jetta, Golf, GTI Service Manual** Bentley Publishers,2003 Bentley Publishers is the exclusive factory authorized publisher of Volkswagen Service Manuals in the United States and Canada In every manual we provide full factory repair procedures specifications tolerances electrical wiring diagrams and lubrication and maintenance information Bentley manuals are the only complete authoritative source of Volkswagen maintenance and repair information Even if you never intend to service your car yourself you ll find that owning a Bentley Manual will help you to discuss repairs more intelligently with your service technician

**VW Owners Workshop Manual** A. K. Legg,1982 Models covered All VW Golf and Jetta MK 1 models with 1093 cc or 1272 cc engine Does not cover MK 2 models

This is likewise one of the factors by obtaining the soft documents of this **Vw Golf 1 Gearbox Selector Seal Manual** by online. You might not require more get older to spend to go to the books inauguration as well as search for them. In some cases, you likewise reach not discover the declaration Vw Golf 1 Gearbox Selector Seal Manual that you are looking for. It will entirely squander the time.

However below, in imitation of you visit this web page, it will be as a result unconditionally easy to acquire as skillfully as download guide Vw Golf 1 Gearbox Selector Seal Manual

It will not put up with many grow old as we notify before. You can attain it even though sham something else at house and even in your workplace. in view of that easy! So, are you question? Just exercise just what we come up with the money for below as competently as review **Vw Golf 1 Gearbox Selector Seal Manual** what you in the manner of to read!

[https://ftp.barnabastoday.com/public/uploaded-files/Documents/yamaha\\_200\\_dt\\_repair\\_manual.pdf](https://ftp.barnabastoday.com/public/uploaded-files/Documents/yamaha_200_dt_repair_manual.pdf)

## **Table of Contents Vw Golf 1 Gearbox Selector Seal Manual**

1. Understanding the eBook Vw Golf 1 Gearbox Selector Seal Manual
  - The Rise of Digital Reading Vw Golf 1 Gearbox Selector Seal Manual
  - Advantages of eBooks Over Traditional Books
2. Identifying Vw Golf 1 Gearbox Selector Seal Manual
  - Exploring Different Genres
  - Considering Fiction vs. Non-Fiction
  - Determining Your Reading Goals
3. Choosing the Right eBook Platform
  - Popular eBook Platforms
  - Features to Look for in an Vw Golf 1 Gearbox Selector Seal Manual
  - User-Friendly Interface
4. Exploring eBook Recommendations from Vw Golf 1 Gearbox Selector Seal Manual

- Personalized Recommendations
  - Vw Golf 1 Gearbox Selector Seal Manual User Reviews and Ratings
  - Vw Golf 1 Gearbox Selector Seal Manual and Bestseller Lists
5. Accessing Vw Golf 1 Gearbox Selector Seal Manual Free and Paid eBooks
    - Vw Golf 1 Gearbox Selector Seal Manual Public Domain eBooks
    - Vw Golf 1 Gearbox Selector Seal Manual eBook Subscription Services
    - Vw Golf 1 Gearbox Selector Seal Manual Budget-Friendly Options
  6. Navigating Vw Golf 1 Gearbox Selector Seal Manual eBook Formats
    - ePub, PDF, MOBI, and More
    - Vw Golf 1 Gearbox Selector Seal Manual Compatibility with Devices
    - Vw Golf 1 Gearbox Selector Seal Manual Enhanced eBook Features
  7. Enhancing Your Reading Experience
    - Adjustable Fonts and Text Sizes of Vw Golf 1 Gearbox Selector Seal Manual
    - Highlighting and Note-Taking Vw Golf 1 Gearbox Selector Seal Manual
    - Interactive Elements Vw Golf 1 Gearbox Selector Seal Manual
  8. Staying Engaged with Vw Golf 1 Gearbox Selector Seal Manual
    - Joining Online Reading Communities
    - Participating in Virtual Book Clubs
    - Following Authors and Publishers Vw Golf 1 Gearbox Selector Seal Manual
  9. Balancing eBooks and Physical Books Vw Golf 1 Gearbox Selector Seal Manual
    - Benefits of a Digital Library
    - Creating a Diverse Reading Collection Vw Golf 1 Gearbox Selector Seal Manual
  10. Overcoming Reading Challenges
    - Dealing with Digital Eye Strain
    - Minimizing Distractions
    - Managing Screen Time
  11. Cultivating a Reading Routine Vw Golf 1 Gearbox Selector Seal Manual
    - Setting Reading Goals Vw Golf 1 Gearbox Selector Seal Manual
    - Carving Out Dedicated Reading Time
  12. Sourcing Reliable Information of Vw Golf 1 Gearbox Selector Seal Manual

- Fact-Checking eBook Content of Vw Golf 1 Gearbox Selector Seal Manual
  - Distinguishing Credible Sources
13. Promoting Lifelong Learning
- Utilizing eBooks for Skill Development
  - Exploring Educational eBooks
14. Embracing eBook Trends
- Integration of Multimedia Elements
  - Interactive and Gamified eBooks

### **Vw Golf 1 Gearbox Selector Seal Manual Introduction**

In this digital age, the convenience of accessing information at our fingertips has become a necessity. Whether its research papers, eBooks, or user manuals, PDF files have become the preferred format for sharing and reading documents. However, the cost associated with purchasing PDF files can sometimes be a barrier for many individuals and organizations. Thankfully, there are numerous websites and platforms that allow users to download free PDF files legally. In this article, we will explore some of the best platforms to download free PDFs. One of the most popular platforms to download free PDF files is Project Gutenberg. This online library offers over 60,000 free eBooks that are in the public domain. From classic literature to historical documents, Project Gutenberg provides a wide range of PDF files that can be downloaded and enjoyed on various devices. The website is user-friendly and allows users to search for specific titles or browse through different categories. Another reliable platform for downloading Vw Golf 1 Gearbox Selector Seal Manual free PDF files is Open Library. With its vast collection of over 1 million eBooks, Open Library has something for every reader. The website offers a seamless experience by providing options to borrow or download PDF files. Users simply need to create a free account to access this treasure trove of knowledge. Open Library also allows users to contribute by uploading and sharing their own PDF files, making it a collaborative platform for book enthusiasts. For those interested in academic resources, there are websites dedicated to providing free PDFs of research papers and scientific articles. One such website is Academia.edu, which allows researchers and scholars to share their work with a global audience. Users can download PDF files of research papers, theses, and dissertations covering a wide range of subjects. Academia.edu also provides a platform for discussions and networking within the academic community. When it comes to downloading Vw Golf 1 Gearbox Selector Seal Manual free PDF files of magazines, brochures, and catalogs, Issuu is a popular choice. This digital publishing platform hosts a vast collection of publications from around the world. Users can search for specific titles or explore various categories and genres. Issuu offers a seamless reading experience with its user-friendly interface and allows users to download PDF files for

offline reading. Apart from dedicated platforms, search engines also play a crucial role in finding free PDF files. Google, for instance, has an advanced search feature that allows users to filter results by file type. By specifying the file type as "PDF," users can find websites that offer free PDF downloads on a specific topic. While downloading Vw Golf 1 Gearbox Selector Seal Manual free PDF files is convenient, it's important to note that copyright laws must be respected. Always ensure that the PDF files you download are legally available for free. Many authors and publishers voluntarily provide free PDF versions of their work, but it's essential to be cautious and verify the authenticity of the source before downloading Vw Golf 1 Gearbox Selector Seal Manual. In conclusion, the internet offers numerous platforms and websites that allow users to download free PDF files legally. Whether it's classic literature, research papers, or magazines, there is something for everyone. The platforms mentioned in this article, such as Project Gutenberg, Open Library, Academia.edu, and Issuu, provide access to a vast collection of PDF files. However, users should always be cautious and verify the legality of the source before downloading Vw Golf 1 Gearbox Selector Seal Manual any PDF files. With these platforms, the world of PDF downloads is just a click away.

### **FAQs About Vw Golf 1 Gearbox Selector Seal Manual Books**

How do I know which eBook platform is the best for me? Finding the best eBook platform depends on your reading preferences and device compatibility. Research different platforms, read user reviews, and explore their features before making a choice. Are free eBooks of good quality? Yes, many reputable platforms offer high-quality free eBooks, including classics and public domain works. However, make sure to verify the source to ensure the eBook's credibility. Can I read eBooks without an eReader? Absolutely! Most eBook platforms offer web-based readers or mobile apps that allow you to read eBooks on your computer, tablet, or smartphone. How do I avoid digital eye strain while reading eBooks? To prevent digital eye strain, take regular breaks, adjust the font size and background color, and ensure proper lighting while reading eBooks. What's the advantage of interactive eBooks? Interactive eBooks incorporate multimedia elements, quizzes, and activities, enhancing the reader engagement and providing a more immersive learning experience. Vw Golf 1 Gearbox Selector Seal Manual is one of the best books in our library for free trial. We provide a copy of Vw Golf 1 Gearbox Selector Seal Manual in digital format, so the resources that you find are reliable. There are also many eBooks related to Vw Golf 1 Gearbox Selector Seal Manual. Where to download Vw Golf 1 Gearbox Selector Seal Manual online for free? Are you looking for Vw Golf 1 Gearbox Selector Seal Manual PDF? This is definitely going to save you time and cash in something you should think about.

**Find Vw Golf 1 Gearbox Selector Seal Manual :**

[yamaha 200 dt repair manual](#)

[xl 1200n service manual](#)

[yamaha ca50 riva 50 salient shop manual 1983 1986](#)

**yamaha br250 1982 repair service manual**

[yamaha atv yfm 660 grizzly 2005 digital service repair manua](#)

[yamaha atv yfm 660 raptor 2000 2006 service repair manual](#)

[yamaha bigbear 400 service repair workshop manual 2000 2006](#)

[yale forklifts parts manual](#)

**yamaha 200 hp service manual**

**yamaha 25hp repair manual**

**yamaha atv yfm 400 bigbear 2000 2008 factory service repair manual**

[yamaha 2012 fx cruiser sho manual](#)

[yaesu ft 50r service manual](#)

**yamaha yz 80 service manual**

[xtrata apprenticeships](#)

**Vw Golf 1 Gearbox Selector Seal Manual :**

[sherman tome 8 les chemins de jeannie 1969](#) - Feb 25 2023

web buy sherman tome 8 les chemins de jeannie 1969 by desberg stephen magda isbn 9782803671748 from amazon s book store everyday low prices and free

**sherman tome 8 les chemins de jeannie 1969** - May 31 2023

web jun 29 2018 20 ans ont passé depuis la mort de jay sherman sa fille jeannie vit aujourd'hui à londres avec son grand amour ludwig le chanteur d'opéra une fille est

**sherman tome 8 les chemins de jeannie 1969 decitre** - Aug 22 2022

web les naufragés du jonathan le secret de wilhelm storitz l'étonnante aventure de la mission barsac the shorter fiction martin paz the blockade runners dr ox and other

[sherman tome 8 les chemins de jeannie 1969 troisième](#) - Sep 22 2022

web jun 29 2018 sherman tome 8 les chemins de jeannie 1969 de stephen desberg collection troisième vague livraison



gratuite à 0 01 dès 35 d achat librairie decitre

**sherman tome 8 les chemins de jeannie 1969 le lombard** - Oct 04 2023

web sherman tome 8 les chemins de jeannie 1969 lire un extrait ajouter au panier 12 95 frais d envoi version numérique 5 99 acheter sur description et caractéristiques

**sherman tome 8 les chemins de jeannie 1969 apple books** - Apr 29 2023

web noté 5 retrouvez sherman tome 8 les chemins de jeannie 1969 et des millions de livres en stock sur amazon fr achetez neuf ou d occasion

sherman tome 8 les chemins de jeannie 1969 amazon fr - Mar 29 2023

web 20 ans ont passé depuis la mort de jay sherman sa fille jeannie vit aujourd'hui à londres avec son grand amour ludwig le chanteur d opéra une fille est née de leur union la

*free sherman tome 8 les chemins de jeannie 1969* - Jan 15 2022

*sherman tome 8 les chemins de jeannie 1969 de de* - Feb 13 2022

web sherman tome 8 les chemins de jeannie 1969 jul 27 2023 20 ans ont passé depuis la mort de jay sherman sa fille jeannie vit aujourd'hui à londres avec son grand

**sherman tome 8 les chemins de jeannie 1969 french** - Dec 26 2022

web sherman tome 8 les chemins de jeannie 1969 les chemins de jeannie 1969 aux éditions le lombard 20 ans ont passé depuis la mort de jay sherman sa fille jeannie

*sherman tome 8 les chemins de jeannie 1969 cultura* - Nov 24 2022

web jun 29 2018 télécharger le livre sherman tome 8 les chemins de jeannie 1969 les chemins de jeannie 1969 de stephen desberg Éditeur le lombard en version

*sherman tome 8 les chemins de jeannie 1969 bd au* - Apr 17 2022

web sep 12 2023 partager télécharger maintenant sherman tome 08 les chemins de jeannie 1969 comment télécharger cbz liens de téléchargement téléchargement

sherman tome 8 les chemins de jeannie 1969 - Jun 19 2022

web jun 29 2018 sa fille jeannie vit aujourd'hui à londres avec son grand amour ludwig le chanteur d opéra une fille est née de leur union la jolie kundry qui 20 ans ont

**sherman tome 8 les chemins de jeannie 1969** - May 19 2022

web sherman tome 8 les chemins de jeannie 1969 bd achat en ligne au meilleur prix sur e leclerc retrait gratuit dans de 700 magasins

**sherman tome 8 les chemins de jeannie 1969 pdf** - Jul 21 2022

web possibilité de commande et de réservation sans surcoût lieu de vie culturel sherman tome 8 les chemins de jeannie 1969 librairie la portée des mots

*sherman tome 8 les chemins de jeannie 1969 goodreads* - Aug 02 2023

web jan 29 2018 sherman tome 8 les chemins de jeannie 1969 stephen desberg magda illustrator 3 14 7 ratings 0 reviews 20 ans ont passé depuis la mort de jay

sherman tome 8 les chemins de jeannie 1969 furet du nord - Oct 24 2022

web sherman tome 8 les chemins de jeannie 1969 troisième vague lombard desberg stephen magda amazon es libros

*sherman 1969 tome 8 sherman les chemins de jeannie* - Jul 01 2023

web jun 29 2018 sherman 1969 tome 8 sherman les chemins de jeannie 1969 stephen desberg magda seron le lombard eds des milliers de livres avec la

**sherman tome 8 les chemins de jeannie 1969 babelio** - Sep 03 2023

web jul 31 2018 sherman tome 8 les chemins de jeannie 1969 résumé 20 ans ont passé depuis la mort de jay sherman sa fille jeannie vit aujourd'hui à londres avec

sherman tome 8 les chemins de jeannie 1969 hardcover - Jan 27 2023

web jun 29 2018 amazon com sherman tome 8 les chemins de jeannie 1969 french edition ebook desberg stephen magda kindle store

sherman tome 08 les chemins de jeannie 1969 bookys - Mar 17 2022

web vendeur momox 410 756 98 2 lieu où se trouve berlin de lieu de livraison fr numéro de l'objet 404527184014 sherman tome 8 les chemins de jeannie 1969

**new hope missionary baptist church new member orientation** - Jun 01 2022

web new hope missionary baptist 1575 w 17th street san bernardino ca 92411 t 9098872526 info newhopembc org new member orientation new hope missionary baptist church new member orientation is a four week class made available to all our new members materials are provided to our new member to assist them in class

**newmembersorientationpacketmtmanuelmissionary ext** - Feb 26 2022

web missionary movement in christian history wipf and stock publishers a wise and experienced guide todd chipman offers practical direction on how local congregations can do better in our quest to care for those jesus calls the least of these my brothers russell moore author of adopted for life your church is doing so much already

new members orientation packet mt emmanuel missionary - Mar 10 2023

web neighboring to the proclamation as without difficulty as insight of this new members orientation packet mt emmanuel

missionary can be taken as competently as picked to act literature program of the assemblies of god rex jackson 2021 09 09  
this work has been selected by scholars as being culturally important and is part of the knowledge base

**new members orientation packet mt emmanuel missionary pdf** - Mar 30 2022

web may 31 2023 1 new members orientation packet mt emmanuel missionary pdf eventually you will categorically discover  
a other experience and success by spending more cash still when pull off you take on that you require to acquire those every  
needs once having significantly cash

*downloadable free pdfs new members orientation packet mt emmanuel* - Feb 09 2023

web new members orientation packet mt emmanuel missionary yearbook oct 19 2020 educational institutions approved by  
the attorney general aug 09 2022 report may 14 2020 publication jan 14 2023 federal register feb 03 2022 teachers guide to  
child development aug 17 2020 directory jan 22 2021

**new members orientation packet mt emmanuel missionary** - Sep 04 2022

web jun 27 2023 members orientation packet mt emmanuel missionary after getting deal as noted journey as expertly as  
expertise just about instruction fun as adeptly as contract can be gotten by just checking out a book new members  
orientation packet mt emmanuel missionary moreover it is not instantly done you could believe even more

new members orientation packet mt emmanuel missionary - Nov 06 2022

web new members orientation packet mt emmanuel missionary author online kptm edu my 2023 08 31 17 48 19 subject new  
members orientation packet mt emmanuel missionary keywords new members orientation packet mt emmanuel missionary  
created date 8 31 2023 5 48 19 pm

new members orientation packet mt emmanuel missionary - Jul 02 2022

web new members orientation packet mt emmanuel missionary 1 new members orientation packet mt emmanuel missionary  
the rotarian the rotarian legislative research checklist goose lake montana 1964 mla news managing young adult services the  
rotarian official gazette of the united states patent and trademark office

**new members orientation packet mt emmanuel missionary pdf** - Apr 30 2022

web new members orientation packet mt emmanuel missionary pdf if you ally obsession such a referred new members  
orientation packet mt emmanuel missionary pdf book that will have the funds for you worth get the utterly best seller from us  
currently from several preferred authors if you desire to witty books lots of novels tale jokes and more

*new members orientation packet mt emmanuel missionary* - Dec 27 2021

web jun 10 2023 simply stated the new members orientation packet mt emmanuel missionary is widely consistent with any  
devices to read if you want to hilarious stories lots of stories legend gags and more fictions collections are also started from  
best seller to one of the most latest published

**download solutions new members orientation packet mt emmanuel missionary** - Aug 03 2022

web new members orientation packet mt emmanuel missionary the new monthly magazine and universal register apr 05 2022 kenya gazette jun 07 2022 the kenya gazette is an official publication of the government of the republic of kenya it contains notices of new legislation notices required to be published by law or policy as well as other

new members orientation packet mt emmanuel missionary - Dec 07 2022

web jan 5 2023 getting the books new members orientation packet mt emmanuel missionary now is not type of inspiring means you could not lonesome going bearing in mind book stock or library or borrowing from your contacts to entrance them this is an completely simple means to specifically acquire lead by on line this online declaration

**new members orientation packet mt emmanuel missionary** - Jul 14 2023

web new members orientation packet mt emmanuel missionary le live marseille aller dans les plus grandes soirées april 30th 2018 retrouvez toutes les discothèque marseille et

**new members orientation packet mt emmanuel missionary pdf** - Apr 11 2023

web craving currently this new members orientation packet mt emmanuel missionary as one of the most on the go sellers here will certainly be among the best options to review new members orientation packet mt emmanuel missionary downloaded from openstackstats mirantis com by guest good thornton a beginners

**new members orientation packet mt emmanuel missionary pdf** - Jun 13 2023

web new members orientation packet mt emmanuel missionary pdf pages 2 18 new members orientation packet mt emmanuel missionary pdf upload herison h williamson 2 18 downloaded from china int indonesia travel on september 5 2023 by herison h williamson maintaining the priorities of pastoring the authors examine

new members orientation packet mt emmanuel missionary pdf - Aug 15 2023

web new members orientation packet mt emmanuel missionary pdf pages 2 15 new members orientation packet mt emmanuel missionary pdf upload jason f hayda 2 15 downloaded from support ortax org on september 5 2023 by jason f hayda

*new members orientation packet mt emmanuel missionary* - Jan 08 2023

web new members orientation packet mt emmanuel missionary expat dating in germany chatting and dating front page de april 27th 2018 the first and the best free dating site for expats in germany find and meet other expats in germany register for free now brown corpus list excel compleat lexical lextutor ca

*new members orientation packet mt emmanuel missionary* - Jan 28 2022

web jun 11 2023 orientation packet mt emmanuel missionary that we will undoubtedly offer it will enormously relaxation you to see instruction new members orientation packet mt emmanuel missionary as you such as in certain scenarios you in

the same way attain not discover the journal new members orientation packet mt emmanuel missionary  
*get the free new members39 orientation packet mt emmanuel missionary* - May 12 2023

web new members orientation packet greetings welcome to the mt emmanuel missionary baptist church i am grateful that  
you have joined our congregation and i celebrate your choice to be a disciple of home  
*newmembersorientationpacketmtemmanuelmissionary pdf* - Oct 05 2022

web missionary conference in edinburgh evangelicalism has become truly global twenty first century evangelicalism  
continues to focus on frontier mission but significantly and in the spirit of edinburgh 1910 it also has re engaged social action  
pentecostalism exhibits a similar direction and these

**de l orientation en fin de cinquia me au fonction monica** - Nov 06 2022

web feb 26 2023 de l orientation en fin de cinquia me au fonction is available in our book collection an online access to it is  
set as public so you can get it instantly our

**de l orientation en fin de cinquia me au fonction** - Oct 17 2023

web lecture economique de l histoire du japon de l orientation en fin de cinquia me au fonction downloaded from ai  
classmonitor com by guest brenden gretchen le

*de l orientation en fin de cinquia me au fonction pdf* - Aug 03 2022

web de l orientation en fin de cinquia me au fonction downloaded from zenith maritimetrainer com by guest cummings braun  
du musée conservateur au

**free de l orientation en fin de cinquia me au fonction** - Sep 16 2023

web de l orientation en fin de cinquia me au fonction de l orientation en fin de cinquième au fonctionnement du collège 2  
progression notation orientation

*de l orientation en fin de cinquia me au fonction copy* - Nov 25 2021

web de l orientation en fin de cinquia me au fonction gregory of nyssa homilies on the beatitudes journal des instituteurs et  
des institutrices the bibliography of africa

career guidance workipedia by mycareersfuture - Jun 01 2022

web aug 1 2023 we make finding a fulfilling career a hassle free experience wsg offers online career guidance services  
easily receive remote guidance in your job search by

**looking to do a career switch here s how to find that new** - Mar 30 2022

web oct 2 2023 people seek to change their careers for a multitude of reasons feelings of dissatisfaction lack of fulfilment a  
change of career goals or a need for more flexibility

*de l orientation en fin de cinquia me au fonction pdf* - May 12 2023

web de l orientation en fin de cinquia me au fonction downloaded from stage gapinc com by guest elaina pearson revue de gascogne united nations les musées de

**de l orientation en fin de cinquia me au fonction download** - Feb 26 2022

web 2 de l orientation en fin de cinquia me au fonction 2021 03 12 en évidence leurs limites il expose les problématiques auxquelles les entreprises et les collectivités sont

de l orientation en fin de cinquia me au fonction 2023 - Oct 05 2022

web de l orientation en fin de cinquia me au fonction 3 3 forward in our century scholars and other interested readers will find here a wealth of insights journal des instituteurs

read free de l orientation en fin de cinquia me au fonction - Apr 30 2022

web de l orientation en fin de cinquia me au fonction financial planning competency handbook may 27 2020 the official guide for exam success and career excellence

*de l orientation en fin de cinquia me au fonction book* - Jul 14 2023

web de l orientation en fin de cinquia me au fonction oeuvres de jean racine tome premier cinqui a eme jun 27 2023

dramaturgie et collaboration des arts au

de l orientation en fin de cinquia me au fonction pdf - Jan 08 2023

web apr 22 2023 de l orientation en fin de cinquia me au fonction 1 13 downloaded from uniport edu ng on april 22 2023 by guest de l orientation en fin de cinquia me au

**download free de l orientation en fin de cinquia me au fonction** - Apr 11 2023

web de l orientation en fin de cinquia me au fonction pratiques d orientation en milieu d éducation jun 19 2023 quelles sont les impasses vécues par les professionnels de

de l orientation en fin de cinquia me au fonction - Jun 13 2023

web de l orientation en fin de cinquia me au fonction 3 3 noted on the last page of this volume volumes were not produced for colloquia held at tarragona spain in october

**education and career guidance moe** - Mar 10 2023

web dec 6 2022 education and career guidance ecg is part of character and citizenship education cce find out what your child learns in ecg education and career

de l orientation en fin de cinquia me au fonction pdf - Dec 07 2022

web sep 25 2023 de l orientation en fin de cinquia me au fonction 1 11 downloaded from uniport edu ng on september 25 2023 by guest de l orientation en fin de cinquia

**mycareersfuture singapore** - Jan 28 2022

web the newest government initiative to help singaporeans with a smarter way to find jobs you can now search for jobs based on your skills discover suitable jobs you might not have

[de l orientation en fin de cinquia me au fonction pdf](#) - Aug 15 2023

web de l orientation en fin de cinquia me au fonction 1 de l orientation en fin de cinquia me au fonction world and worldhood monde et mondanéité Élasticité et

**de l orientation en fin de cinquia me au fonction download** - Sep 04 2022

web de l orientation en fin de cinquia me au fonction evolutions of the complex relationship between education and territories the financial system we need henry

[de l orientation en fin de cinquia me au fonction claire](#) - Feb 09 2023

web as this de l orientation en fin de cinquia me au fonction it ends occurring bodily one of the favored ebook de l orientation en fin de cinquia me au fonction collections

**de l orientation en fin de cinquia me au fonction 2022 mail** - Jul 02 2022

web la création de l École de médecine du nord de l ontario international studies in educational inequality theory and policy de l orientation en fin de cinquia me au

[orientation traduction anglaise linguee](#) - Dec 27 2021

web traduisez des textes avec la meilleure technologie de traduction automatique au monde développée par les créateurs de linguee dictionnaire recherchez des traductions de