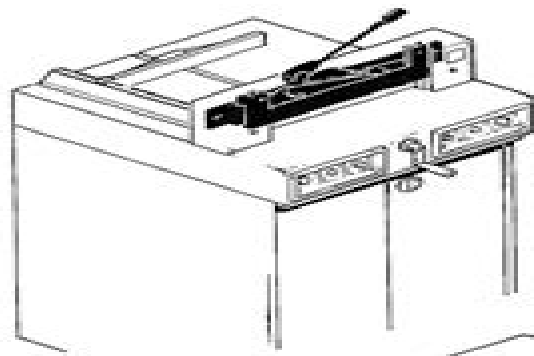


# Mod.3915-95

01.01.1995



9001 483  
9001 399  
3915 449

9001 483  
9001 399  
3915 449

3915 140  
4305 037

4305 037

3600 089

3905 112

3915 299

9001 434

3900 054

3600 065

9001 398

9001 209

9001 539

9003 965

9001 209

3600 061

9001 209

3600 059

9001 578

3600 091

3600 092

9003 647

3600 069

9001 133

3600 062

9001 548

9001 578

3915 081

ProSource Packaging, Inc.  
14911 Stuebner Airline Rd Suite A  
Houston, TX 77069  
800-203-0233  
[www.Machine-Solution.com](http://www.Machine-Solution.com)

# Triumph Paper Cutter Parts Manual

**Michael Rajnik**



**Triumph Paper Cutter Parts Manual:**

**R.M.** ,1971 Catalog of Copyright Entries, Fourth Series Library of Congress. Copyright Office,1978-10 **Inland Printer, American Lithographer** ,1907 **Anthony's Photographic Bulletin** ,1892 **Annual Report** ,  
*Administrative Management* ,1970 **Journal of Machine Accounting** ,1963 *Catalogue of Title-entries of Books and Other Articles Entered in the Office of the Librarian of Congress, at Washington, Under the Copyright Law ... Wherein the Copyright Has Been Completed by the Deposit of Two Copies in the Office* Library of Congress. Copyright Office,1978  
Newspaper Production ,1974 *School Management* ,1965 **New England Journal of Education** Thomas Williams Bicknell,Albert Edward Winship,Anson Wood Belding,1879 *English Mechanic and World of Science* ,1899 **Popular Mechanics** ,1947-01 Popular Mechanics inspires instructs and influences readers to help them master the modern world Whether it s practical DIY home improvement tips gadgets and digital technology information on the newest cars or the latest breakthroughs in science PM is the ultimate guide to our high tech lifestyle **Outlook** Alfred Emanuel Smith,Francis Walton,1873 *Electrical Installation Record* ,1917 *The Christian Union* ,1888 The Office ,1977 **The Metal Worker** ,1895 **Metal Worker, Plumber and Steam Fitter** ,1893 *Office Executive* ,1959

The Engaging Realm of E-book Books: A Detailed Guide Revealing the Pros of Kindle Books: A World of Ease and Flexibility

Kindle books, with their inherent portability and ease of availability, have freed readers from the limitations of hardcopy books. Gone are the days of carrying bulky novels or meticulously searching for specific titles in bookstores. E-book devices, stylish and portable, effortlessly store an wide library of books, allowing readers to immerse in their preferred reads whenever, anywhere. Whether commuting on a busy train, lounging on a sun-kissed beach, or simply cozying up in bed, Kindle books provide an unparalleled level of convenience. A Reading Universe Unfolded: Discovering the Vast Array of Kindle Triumph Paper Cutter Parts Manual Triumph Paper Cutter Parts Manual The E-book Store, a virtual treasure trove of literary gems, boasts an extensive collection of books spanning varied genres, catering to every readers preference and choice. From captivating fiction and thought-provoking non-fiction to classic classics and modern bestsellers, the E-book Store offers an exceptional variety of titles to explore. Whether seeking escape through immersive tales of imagination and exploration, diving into the depths of past narratives, or broadening ones understanding with insightful works of science and philosophy, the E-book Store provides a doorway to a bookish universe brimming with limitless possibilities. A Game-changing Force in the Bookish Landscape: The Enduring Influence of E-book Books Triumph Paper Cutter Parts Manual The advent of E-book books has undoubtedly reshaped the literary scene, introducing a paradigm shift in the way books are published, disseminated, and consumed. Traditional publishing houses have embraced the online revolution, adapting their strategies to accommodate the growing need for e-books. This has led to a rise in the accessibility of Kindle titles, ensuring that readers have access to a wide array of bookish works at their fingertips. Moreover, Kindle books have equalized entry to literature, breaking down geographical limits and offering readers worldwide with similar opportunities to engage with the written word. Regardless of their location or socioeconomic background, individuals can now engross themselves in the captivating world of books, fostering a global community of readers. Conclusion: Embracing the Kindle Experience Triumph Paper Cutter Parts Manual Kindle books Triumph Paper Cutter Parts Manual, with their inherent ease, versatility, and vast array of titles, have undoubtedly transformed the way we experience literature. They offer readers the liberty to explore the limitless realm of written expression, anytime, anywhere. As we continue to travel the ever-evolving digital landscape, Kindle books stand as testament to the persistent power of storytelling, ensuring that the joy of reading remains reachable to all.

[https://ftp.barnabastoday.com/files/virtual-library/HomePages/ver\\_nderungen\\_am\\_deutschen\\_aktienmarkt\\_flo\\_mann.pdf](https://ftp.barnabastoday.com/files/virtual-library/HomePages/ver_nderungen_am_deutschen_aktienmarkt_flo_mann.pdf)

## Table of Contents Triumph Paper Cutter Parts Manual

1. Understanding the eBook Triumph Paper Cutter Parts Manual
  - The Rise of Digital Reading Triumph Paper Cutter Parts Manual
  - Advantages of eBooks Over Traditional Books
2. Identifying Triumph Paper Cutter Parts Manual
  - Exploring Different Genres
  - Considering Fiction vs. Non-Fiction
  - Determining Your Reading Goals
3. Choosing the Right eBook Platform
  - Popular eBook Platforms
  - Features to Look for in an Triumph Paper Cutter Parts Manual
  - User-Friendly Interface
4. Exploring eBook Recommendations from Triumph Paper Cutter Parts Manual
  - Personalized Recommendations
  - Triumph Paper Cutter Parts Manual User Reviews and Ratings
  - Triumph Paper Cutter Parts Manual and Bestseller Lists
5. Accessing Triumph Paper Cutter Parts Manual Free and Paid eBooks
  - Triumph Paper Cutter Parts Manual Public Domain eBooks
  - Triumph Paper Cutter Parts Manual eBook Subscription Services
  - Triumph Paper Cutter Parts Manual Budget-Friendly Options
6. Navigating Triumph Paper Cutter Parts Manual eBook Formats
  - ePub, PDF, MOBI, and More
  - Triumph Paper Cutter Parts Manual Compatibility with Devices
  - Triumph Paper Cutter Parts Manual Enhanced eBook Features
7. Enhancing Your Reading Experience
  - Adjustable Fonts and Text Sizes of Triumph Paper Cutter Parts Manual
  - Highlighting and Note-Taking Triumph Paper Cutter Parts Manual
  - Interactive Elements Triumph Paper Cutter Parts Manual
8. Staying Engaged with Triumph Paper Cutter Parts Manual

- Joining Online Reading Communities
  - Participating in Virtual Book Clubs
  - Following Authors and Publishers Triumph Paper Cutter Parts Manual
9. Balancing eBooks and Physical Books Triumph Paper Cutter Parts Manual
- Benefits of a Digital Library
  - Creating a Diverse Reading Collection Triumph Paper Cutter Parts Manual
10. Overcoming Reading Challenges
- Dealing with Digital Eye Strain
  - Minimizing Distractions
  - Managing Screen Time
11. Cultivating a Reading Routine Triumph Paper Cutter Parts Manual
- Setting Reading Goals Triumph Paper Cutter Parts Manual
  - Carving Out Dedicated Reading Time
12. Sourcing Reliable Information of Triumph Paper Cutter Parts Manual
- Fact-Checking eBook Content of Triumph Paper Cutter Parts Manual
  - Distinguishing Credible Sources
13. Promoting Lifelong Learning
- Utilizing eBooks for Skill Development
  - Exploring Educational eBooks
14. Embracing eBook Trends
- Integration of Multimedia Elements
  - Interactive and Gamified eBooks

### **Triumph Paper Cutter Parts Manual Introduction**

In today's digital age, the availability of Triumph Paper Cutter Parts Manual books and manuals for download has revolutionized the way we access information. Gone are the days of physically flipping through pages and carrying heavy textbooks or manuals. With just a few clicks, we can now access a wealth of knowledge from the comfort of our own homes or on the go. This article will explore the advantages of Triumph Paper Cutter Parts Manual books and manuals for download, along with some popular platforms that offer these resources. One of the significant advantages of Triumph Paper Cutter Parts Manual books and manuals for download is the cost-saving aspect. Traditional books and manuals can be costly,

especially if you need to purchase several of them for educational or professional purposes. By accessing Triumph Paper Cutter Parts Manual versions, you eliminate the need to spend money on physical copies. This not only saves you money but also reduces the environmental impact associated with book production and transportation. Furthermore, Triumph Paper Cutter Parts Manual books and manuals for download are incredibly convenient. With just a computer or smartphone and an internet connection, you can access a vast library of resources on any subject imaginable. Whether you're a student looking for textbooks, a professional seeking industry-specific manuals, or someone interested in self-improvement, these digital resources provide an efficient and accessible means of acquiring knowledge. Moreover, PDF books and manuals offer a range of benefits compared to other digital formats. PDF files are designed to retain their formatting regardless of the device used to open them. This ensures that the content appears exactly as intended by the author, with no loss of formatting or missing graphics. Additionally, PDF files can be easily annotated, bookmarked, and searched for specific terms, making them highly practical for studying or referencing. When it comes to accessing Triumph Paper Cutter Parts Manual books and manuals, several platforms offer an extensive collection of resources. One such platform is Project Gutenberg, a nonprofit organization that provides over 60,000 free eBooks. These books are primarily in the public domain, meaning they can be freely distributed and downloaded. Project Gutenberg offers a wide range of classic literature, making it an excellent resource for literature enthusiasts. Another popular platform for Triumph Paper Cutter Parts Manual books and manuals is Open Library. Open Library is an initiative of the Internet Archive, a non-profit organization dedicated to digitizing cultural artifacts and making them accessible to the public. Open Library hosts millions of books, including both public domain works and contemporary titles. It also allows users to borrow digital copies of certain books for a limited period, similar to a library lending system. Additionally, many universities and educational institutions have their own digital libraries that provide free access to PDF books and manuals. These libraries often offer academic texts, research papers, and technical manuals, making them invaluable resources for students and researchers. Some notable examples include MIT OpenCourseWare, which offers free access to course materials from the Massachusetts Institute of Technology, and the Digital Public Library of America, which provides a vast collection of digitized books and historical documents. In conclusion, Triumph Paper Cutter Parts Manual books and manuals for download have transformed the way we access information. They provide a cost-effective and convenient means of acquiring knowledge, offering the ability to access a vast library of resources at our fingertips. With platforms like Project Gutenberg, Open Library, and various digital libraries offered by educational institutions, we have access to an ever-expanding collection of books and manuals. Whether for educational, professional, or personal purposes, these digital resources serve as valuable tools for continuous learning and self-improvement. So why not take advantage of the vast world of Triumph Paper Cutter Parts Manual books and manuals for download and embark on your journey of knowledge?

## FAQs About Triumph Paper Cutter Parts Manual Books

1. Where can I buy Triumph Paper Cutter Parts Manual books? Bookstores: Physical bookstores like Barnes & Noble, Waterstones, and independent local stores. Online Retailers: Amazon, Book Depository, and various online bookstores offer a wide range of books in physical and digital formats.
2. What are the different book formats available? Hardcover: Sturdy and durable, usually more expensive. Paperback: Cheaper, lighter, and more portable than hardcovers. E-books: Digital books available for e-readers like Kindle or software like Apple Books, Kindle, and Google Play Books.
3. How do I choose a Triumph Paper Cutter Parts Manual book to read? Genres: Consider the genre you enjoy (fiction, non-fiction, mystery, sci-fi, etc.). Recommendations: Ask friends, join book clubs, or explore online reviews and recommendations. Author: If you like a particular author, you might enjoy more of their work.
4. How do I take care of Triumph Paper Cutter Parts Manual books? Storage: Keep them away from direct sunlight and in a dry environment. Handling: Avoid folding pages, use bookmarks, and handle them with clean hands. Cleaning: Gently dust the covers and pages occasionally.
5. Can I borrow books without buying them? Public Libraries: Local libraries offer a wide range of books for borrowing. Book Swaps: Community book exchanges or online platforms where people exchange books.
6. How can I track my reading progress or manage my book collection? Book Tracking Apps: Goodreads, LibraryThing, and Book Catalogue are popular apps for tracking your reading progress and managing book collections. Spreadsheets: You can create your own spreadsheet to track books read, ratings, and other details.
7. What are Triumph Paper Cutter Parts Manual audiobooks, and where can I find them? Audiobooks: Audio recordings of books, perfect for listening while commuting or multitasking. Platforms: Audible, LibriVox, and Google Play Books offer a wide selection of audiobooks.
8. How do I support authors or the book industry? Buy Books: Purchase books from authors or independent bookstores. Reviews: Leave reviews on platforms like Goodreads or Amazon. Promotion: Share your favorite books on social media or recommend them to friends.
9. Are there book clubs or reading communities I can join? Local Clubs: Check for local book clubs in libraries or community centers. Online Communities: Platforms like Goodreads have virtual book clubs and discussion groups.
10. Can I read Triumph Paper Cutter Parts Manual books for free? Public Domain Books: Many classic books are available for free as they're in the public domain. Free E-books: Some websites offer free e-books legally, like Project Gutenberg or Open Library.



**Find Triumph Paper Cutter Parts Manual :**

[veranderingen am deutschen aktienmarkt flo mann](#)

**veritas gmat guide**

[venezuela latin america in focus](#)

**venza manual**

[vauxhall zafira fuse box manual](#)

**verado 300hp manual**

[velamma episodes download](#)

[venice walks on foot guides](#)

[verbeeldingswereld zijn geen grenzen aangewezen gedichten uit de romantiek](#)

[venn diagrams of rational vs irrational numbers](#)

**verkehrte welt geschichten m rchen kinder ebook**

[vento zip manual](#)

[verformungsverhalten energieaufnahme](#)

[veil of time a paranormal esp thriller](#)

**verdad que nos hace libres**

**Triumph Paper Cutter Parts Manual :**

[planning the pyp exhibition wikispaces pdf uniport edu](#) - Mar 30 2022

web may 14 2023 [planning the pyp exhibition wikispaces](#) when people should go to the ebook stores search initiation by shop shelf by shelf it is really problematic this is why

[planning the pyp exhibition wikispaces jupyterhub bigelow](#) - Oct 05 2022

web may 1st 2018 [pyp exhibition planner examples pyp exhibition learner profile resources reference pypexhib2012](#)

[wikispaces com file view pyp exhibition](#)

**[planning the pyp exhibition wikispaces uniport edu](#)** - Jan 28 2022

web [pyp wikispaces 2011 pyp exhibition wikispaces wikispaces the pyp exhibition encouraging in depth pyp exhibition 2012 student workbook wikispaces reflective](#)

**[planning the pyp exhibition wikispaces pdf uniport edu](#)** - Dec 27 2021

web [myp unit planner wikispaces 5c pyp exhibition wiki home exhibition mentor handbook pvcc exhibition 2012 roberts ib](#)

attitudes wikispaces year 6 pyp

**planning the pyp exhibition wikispaces festival rai dance** - Feb 26 2022

web we present you this proper as competently as simple way to get those all we give planning the pyp exhibition wikispaces and numerous book collections from fictions to

**planning the pyp exhibition wikispaces** - Nov 25 2021

web the pyp exhibition is an event where students are given the opportunity to share their understanding of a real life issue or topic they ve covered it s a great way to help pupils

**planning the pyp exhibition wikispaces pdf pdf support ortax** - Dec 07 2022

web planning the pyp exhibition wikispaces 1 planning the pyp exhibition wikispaces this is likewise one of the factors by obtaining the soft documents of this planning the

*read free planning the pyp exhibition wikispaces* - Jul 02 2022

web seven recommendations are offered 1 set challenging curricular standards 2 establish high level learning opportunities 3 ensure access to early childhood education 4

what is the pyp exhibition what is ib - Feb 09 2023

web title planning the pyp exhibition wikispaces pdf pdf support ortax org created date 9 6 2023 6 11 41 am

**planning the pyp exhibition wikispaces** - Sep 04 2022

web planning the pyp exhibition wikispaces visual research an introduction to research methodologies in graphic design apr 13 2021 visual research explains the key terms

planning the pyp exhibition wikispaces pdf uniport edu - Nov 06 2022

web may 1st 2018 pyp exhibition planner examples pyp exhibition learner profile resources reference pypexhib2012

wikispaces com file view pyp exhibition

what is pyp exhibition year 6 - Jan 08 2023

web may 18 2023 planning the pyp exhibition wikispaces 2 8 downloaded from uniport edu ng on may 18 2023 by guest use 3 the effect of culture on learner

planning the pyp exhibition wikispaces - Aug 03 2022

web nov 11 2014 the pyp exhibition is a significant event in the life of each grade 6 student at cdnis synthesizing the essential elements of the pyp and sharing them with the

*pyp exhibition planner examples* - Jun 13 2023

web jun 6 2023 the ib primary years programme pyp will host another celebration for students learning through our ib network from 1 may until 15 july 2023 schools are

**introduction to the pyp exhibition ppt powerpoint vdocument in** - Jun 01 2022

web may 9 2023 this planning the pyp exhibition wikispaces but end occurring in harmful downloads rather than enjoying a good book when a mug of coffee in the afternoon

*step by step through the ib pyp exhibition pyp teaching tools* - Jul 14 2023

web reference pypexhib2012 wikispaces com file view pyp exhibition planner 2010

**planning the pyp exhibition wikispaces** - Apr 11 2023

web the pyp exhibition is an event where students are given the opportunity to share their understanding of a real life issue or topic they ve covered it s a great way to help pupils

**planning the pyp exhibition wikispaces pdf pdf elections freep** - Apr 30 2022

web the pyp exhibition wikispaces as you such as our cyber resource hosts in several positions enabling you to obtain the lowest processing delay to download any of our

**what is the pyp exhibition answered twinkl** - Mar 10 2023

web goal following official pyp guidelines students will stage an exhibition demonstrating their understanding of the pyp role each student will contribute to the exhibition and make

**planning the pyp exhibition wikispaces** - Oct 25 2021

**pyp exhibition 2023 international baccalaureate** - May 12 2023

web planning the pyp exhibition wikispaces to learn planning the inquiry pyp exhibition sharingpyp blog may 4th 2018 in the final year of the ib primary years programme

**what is the pyp exhibition answered twinkl teaching wiki** - Sep 23 2021

planning the pyp exhibition wikispaces - Aug 15 2023

web planning the pyp exhibition wikispaces yeah reviewing a books planning the pyp exhibition wikispaces could be credited with your near contacts listings this is just

**watch stories by rabindranath tagore netflix** - Dec 31 2021

web stories by rabindranath tagore stories by rabindranath tagore release year 2015 in early 20th century bengal strong intelligent women leave their rural homes to create new lives for themselves in the bustling city of calcutta 1 chokher bali part 1 44m

rabindranath tagore short stories master s collections - Nov 29 2021

web regarded as the inventor of modern bengali short stories rabindranath tagore is well known for his remarkable

contributions in indian as well as world literature beautifully depicting the essence of human relationships tagore s stories are set in rural bengali villages which further emanate the spirit of the wider indian culture

*rabindranath tagore short stories summary gradesaver* - Aug 07 2022

web in one of tagore s more explicitly supernatural stories the hungry stones a man tells a story of being sent to hyderabad as a tax collector but spending most of his nights in a haunted palace where he is sent back in time 250 years every night in his dreams taking part in a decadent and lustful royal court

**rabindranath tagore poetry foundation** - Jun 05 2022

web translated short fiction collected in numerous omnibus volumes including collected stories from rabindranath tagore macmillan calcutta 1970 and collected stories macmillan new delhi 1974 nonfiction in english translation

**kabuliwala short story wikipedia** - Jul 06 2022

web kabuliwala is a bengali short story written by rabindranath tagore in 1892 during tagore s sadhana period named for one of tagore s magazines from 1891 to 1895 the story is about a fruit seller a pashtun from kabul afghanistan who visits calcutta present day kolkata india each year to sell dry fruits

**rabindranath tagore biography poems short stories nobel** - Jun 17 2023

web oct 7 2023 rabindranath tagore was a bengali poet short story writer song composer playwright and painter he introduced new prose and verse forms and the use of colloquial language into bengali literature helped introduce indian culture to the west and vice versa and is generally regarded as the outstanding creative artist of early 20th century

**pdf rabindranath tagore selected short stories researchgate** - Feb 13 2023

web pdf on jan 1 2011 mohammad abdul quayum published rabindranath tagore selected short stories find read and cite all the research you need on researchgate

*list of all rabindranath tagore stories pdf* - Sep 20 2023

web oct 17 2020 rabindranath tagore short stories rabindranathtagore the literary titan of india and a polymath left a tremendous contribution in the arena of short story his achievement to take the short story to the masses is highly commendable

**rabindranath tagore wikipedia** - May 04 2022

web a a bengali brahmin from calcutta with ancestral gentry roots in burdwan district 12 and jessore tagore wrote poetry as an eight year old 13 at the age of sixteen he released his first substantial poems under the pseudonym bhānusiṃha sun lion which were seized upon by literary authorities as long lost classics 14

**2024 poetry and short story contests now open deccan chronicle** - Aug 27 2021

web oct 14 2023 the registration and submission deadline is november 30 2023 hyderabad the prestigious rabindranath

tagore award international poetry contest and bharat award international short story contest

**greatest indian short stories rabindranath tagore** - Sep 27 2021

web sep 27 2023 rabindranath tagore rabindranath tagore 1861 1941 a bengali poet brahmo samaj philosopher visual artist playwright novelist and composer whose works reshaped bengali literature and music in the late 19th and early 20th centuries a cultural icon of bengal and india he became asia s first nobel laureate when he won the 1913

**rabindranath tagore short stories themes gradesaver** - Oct 29 2021

web rabindranath tagore short stories study guide contains a biography of rabindranath tagore literature essays quiz questions major themes characters and a full summary and analysis best summary pdf themes and quotes

**rabindranath tagore short stories best story telling of bengali** - Mar 02 2022

web some of his most famous short stories include kabuliwala which explores the bond between a pashtun vendor and a little girl in kolkata and the homecoming which delves into the complexities of family relationships and societal expectations

the very best of rabindranath tagore short stories goodreads - Apr 15 2023

web jan 1 2017 this collection contains some famous short stories the postmaster the cabuliwallah subha the castaway the hungry stones the son of rashmani the babus of nayanjore master mashai the child s return the home coming the skeleton the auspicious vision the riddle solved once there was a king the victory and many

**list of works by rabindranath tagore wikipedia** - Jul 18 2023

web collection of four short stories short stories 1894 vichitra galpa parts i ii short stories 1895 galpa dasak collection of ten short stories short stories 1898 or 1899 katha o kahini lores and legends short stories 1900 galpoguchha or galpo guchchha a bouquet of stories short stories 1901 galpa stories part ii of galpoguchha

stories by rabindranath tagore wikipedia - Dec 11 2022

web stories by rabindranath tagore is a 2015 indian hindi television series which aired on the epic channel 1 it is directed by anurag basu overview set in bengal of the 1920s the show is a representation of the classic short stories by the bengali writer and nobel laureate rabindranath tagore

*five must read short stories by rabindranath tagore* - May 16 2023

web nov 15 2020 while reading through tagore s short stories you realize women s powerless position and their ignorance levels burdened as a primary caretaker of their households 1 the postmaster the postmaster can be looked at from two perspectives first a city bred man s reluctance to adjust in the rural area

selected short stories rabindranath tagore opendemocracy - Mar 14 2023

web mar 26 2006 selected short stories by rabindranath tagore translated by william radice penguin classics isbn 0140449833 housewife when we were two years or so below the scholarship class our teacher was

*selected short stories tagore rabindranath 1861 1941 free* - Jan 12 2023

web selected short stories by tagore rabindranath 1861 1941 publication date 2002 topics tagore rabindranath 1861 1941 translations into english publisher new delhi oxford oxford university press collection printdisabled internetarchivebooks contributor internet archive language

*epic short stories by rabindranath tagore buddymantra* - Oct 09 2022

web apr 8 2017 let s find out some of the epic short stories from tagore s galpaguchchha contents hide 1 1 kabuliwala the fruitseller from kabul 2 2 gora 3 3 atithi the runaway 4 4 kshudita pashan the hungry stones 5 5 ghare baire the home and the world 1 kabuliwala the fruitseller from

*rabindranath tagore short stories and classic literature* - Nov 10 2022

web he was the first non european to win the nobel prize in literature 1913 indian literature fans may also be interested in short stories by achmed abdullah rudyard kipling and indian folk tales collected by nancy bell

**short stories rabindranath tagore the sitting bee** - Sep 08 2022

web in my lord the baby by rabindranath tagore we have the theme of sacrifice guilt responsibility gratitude letting go selflessness and shame taken from his collected stories collection the story is narrated in the first person by an unnamed narrator and after reading the story the reader realises that tagore may be exploring the theme

**short stories of tagore jstor home** - Apr 03 2022

web edition of 21 select short stories of rabindranath tagore which are being translated in all the major indian languages a special edition of the original bengali text in devanagari script with a glossary is also in press ed rabindranath s short

*short stories from rabindranath tagore goodreads* - Aug 19 2023

web short stories from rabindranath tagore rabindranath tagore pratima bowes translator 4 23 7 066 ratings240 reviews the sixteen short stories collected here were written between 1891 and 1917 by the bengali poet writer painter musician and mystic sir rabindranath tagore 1861 1941

*tagore s short stories* - Feb 01 2022

web tagore s short stories a d choudhuri to the non bengali reader rabindranath is known as a world poet and philosopher and the remarkable richness of his short stories is unknown to most indians outside bengal it is a pity that they have not been artistically translated into modern indian languages even today the stories are also an excellent

**anna m import belge solutions milnerbrowne com** - Oct 06 2023

web 2 anna m import belge 2022 08 20 part of the book is dedicated to the case study of hong kong as the british colony acted as a hub for asian and european interests at the heart of connections with mainland china and some neighbouring territories indochina etc this is essential reading for academics interested in

[anna m import belge amazon ca movies tv shows](#) - Feb 27 2023

web amazon ca buy anna m at a low price free shipping on qualified orders see reviews details on a wide selection of blu ray dvds both new used

[anna m import belge uniport edu ng](#) - Mar 31 2023

web jun 28 2023 this anna m import belge but end up in harmful downloads rather than reading a good book with a cup of coffee in the afternoon instead they cope with some infectious virus inside their desktop computer anna m import belge is available in our digital library an online access to it is set as public so you can download it instantly

[anna m import belge uniport edu ng](#) - Jun 21 2022

web mar 12 2023 anna m import belge 1 1 downloaded from uniport edu ng on march 12 2023 by guest anna m import belge when people should go to the books stores search creation by shop shelf by shelf it is really problematic this is why we allow the books compilations in this website it will definitely ease you to see guide anna m import belge

**annam group** - Nov 26 2022

web the annam group is an importer marketer and distributor of high quality brands of fmcgs in vietnam laos cambodia and myanmar brands are our passion and we represent principals from all countries on an exclusive basis from the import customs warehousing marketing and advertising market positioning to the end delivery to all retails channels

**amazon com anna m import belge movies tv** - Sep 05 2023

web find anna m import belge at amazon com movies tv home of thousands of titles on dvd and blu ray

[anna m import belge uniport edu ng](#) - Aug 24 2022

web anna m import belge 1 4 downloaded from uniport edu ng on may 14 2023 by guest anna m import belge getting the books anna m import belge now is not type of inspiring means you could not by yourself going behind ebook stock or library or borrowing from your connections to gate them this is an very easy means to specifically get lead by on line

**anna m import belge by carre isabelle melki gilbert spinosa michel** - Oct 26 2022

web may 1st 2020 customs and traditions in belgium 29 october 2015 by anna staford travelling to belgium as with many other european countries belgium is not homogeneous therefore each area of the country has its own peculiarities i e dutch influence in the north french in the south and german in the northeast find bestselling books and

[anna m import belge pdf help environment harvard edu](#) - May 01 2023

web import belge and numerous ebook collections from fictions to scientific research in any way in the course of them is this anna m import belge that can be your partner interavia 1988

**anna m import belge amazon com au movies tv** - Jul 03 2023

web select the department you want to search in

[home amar import export](#) - Feb 15 2022

web europe s gateway to the world of exotic products amar import export is a leading exotic wholesaler and horticulture company in the hague the netherlands with over 30 years of experience in exotic fruit vegetables and specialty products we provide authentic taste and authentic service to supermarkets restaurants embassies and other

[anna m import belge uniport edu ng](#) - Jan 29 2023

web feb 21 2023 anna m import belge 1 1 downloaded from uniport edu ng on february 21 2023 by guest anna m import belge as recognized adventure as well as experience roughly lesson amusement as skillfully as harmony can be gotten by just checking out a book anna m import belge afterward it is not directly done you could

[anna m import belge gsevocab pearsonelt com](#) - Aug 04 2023

web anna m import belge downloaded from gsevocab pearsonelt com by guest jair maddox board of trade journal of tariff and trade notices and miscellaneous commercial information routledge throughout human history luxury textiles have been used as a marker of importance power and distinction

**m n import export europages** - Dec 28 2022

web découvrez l entreprise m n import export sur europages et entrez directement en contact avec elle pour avoir plus d informations demander un devis etc

**anna m import belge crm gte travel** - May 21 2022

web anna m import belge the fruit annual the directory chronicle for china japan corea indo china straits settlements malay states sian netherlands india borneo the philippines c belgisch staatsblad monatsblatt der heraldischen gesellschaft adler brussels i bis greek film noir pfälzer zeitung the fruit annual and directory

[anna m import belge pdf epub books for free](#) - Jun 02 2023

web jul 29 2018 cliquez sur le titre du livre anna m import belge et s il vous plaît inscrivez vous maintenant pour accéder à notre livre anna m import belge sous la forme de fichiers pdf et epub disponible en téléchargement gratuit

**anna m import belge api macstories net** - Jul 23 2022

web anna m import belge 1 anna m import belge this is likewise one of the factors by obtaining the soft documents of this anna m import belge by online you might not require more mature to spend to go to the books opening as well as search for them in some cases you likewise do not discover the pronouncement anna m import belge that you

**anna m import belge cdn writermag com** - Apr 19 2022

web anna m import belge 3 3 the commercialisation of luxury textiles by merchants who facilitated their trade from the cities of lucca florence and venice the third part then focusses upon manufacture encouraging consideration of the concept of luxury during this period through the italian silk industry and the production of high quality



*anna m home and gift anna m nl - Mar 19 2022*

web amberblokjes biologische thee giftboxen juf meester cadeautjes inloggenwinkelwagen ik ben anne het gezicht achter gaaf dat je een kijkje komt nemen op onze shop zoek je een cadeautje of iets moois voor jezelf pak een heerlijke kop thee en snuffel lekker rond wil je een gepersonaliseerd cadeautje schroom niet en mail ons

*anna m import belge emidproxy vaccination gov ng - Sep 24 2022*

web anna m import belge anna m import belge 2 downloaded from emidproxy vaccination gov ng on 2020 10 13 by guest this suspicion at its most extreme has led to a radical conclusion of the end of history in the work of postmodern scholars such as jean baudrillard and francis fukuyama the contributors to critical music