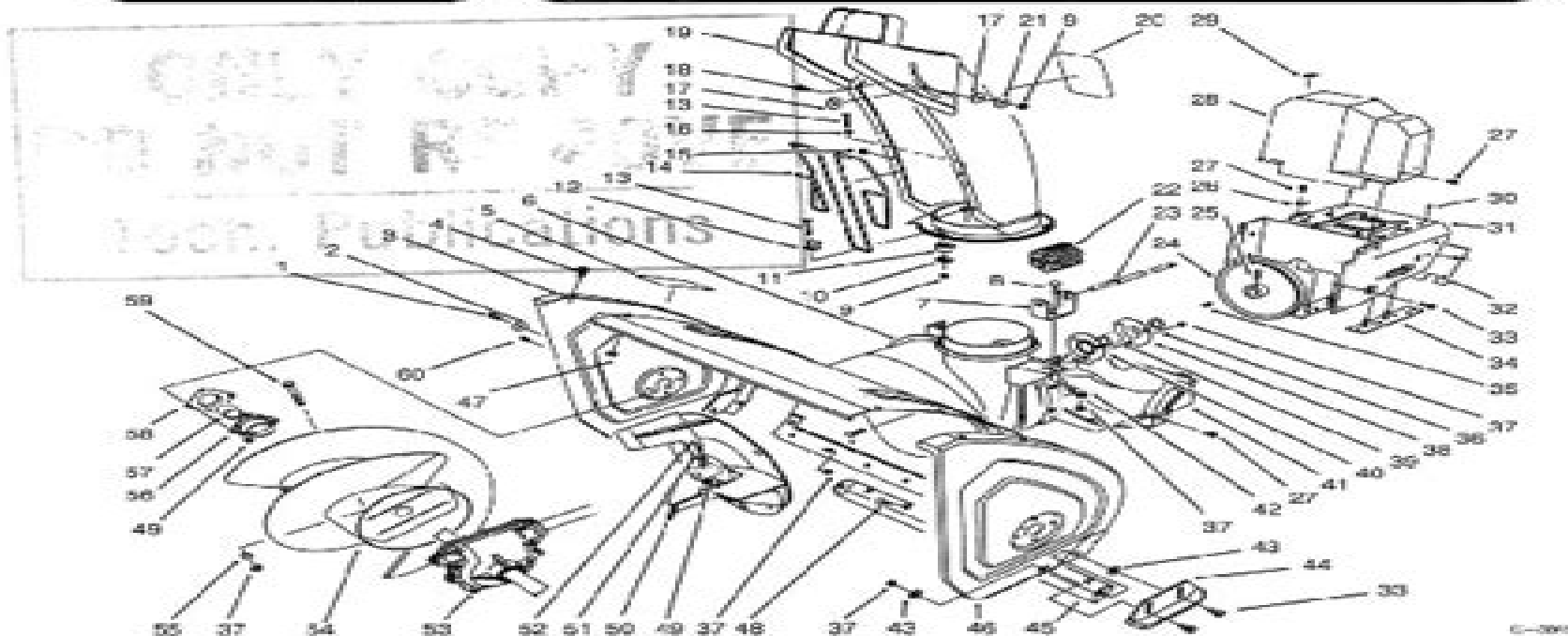




MODEL NO. 38540-5900001 & UP
 MODEL NO. 38543-5900001 & UP

PARTS
 CATALOG

824 SNOWTHROWER



HOUSING & CHUTE ASSEMBLY

C-0998

Ref. No.	Part No.	Description	No. Used
1	323-6	Screw - Hex Hd.	2
2	3-0750	Washer - Retaining	2
3	66-7621	Plate - Side R.H.	1
4	3234-28	Screw - Hex Flange Hd.	12
5	50-7670	Decal - Danger Auger	1
6	62-0720	Housing - 24"	1
7	63-2180	Bracket - Gear	1
8	3230-2	Bolt - Carriage	1
9	3296-2	Nut - Lock	4
10	63-2670	Plate - Chute Retainer	2
11	62-1430	Retainer - Chute	3
12	63-3130	Clip - Chute Guard	1
13	3274-13	Screw - Machine	3
14	63-3020	Guard - Chute	1
15	3290-326	Nut - Push	2
16	3256-14	Washer - Flat	3
17	63-2900	Washer - Plastic	2
18	32122-32	Screw	1

Ref. No.	Part No.	Description	No. Used
19	62-0840	Chute Assembly	1
20	63-3740	Decal - Danger Chute Model 38540	1
-	63-7660	Decal - Danger Chute Model 38543	1
21	3256-61	Washer - Flat	1
22	62-0820	Gear - Worm	1
23	62-1720	Rod - Chute Gear	1
24	62-1300	Pulley - Impeller	1
25	3242-4	Screw - Set Sq. Hd.	2
26	63-2300	Retainer - Cable	1
27	32141-1	Screw - Hex. Flange Hd.	6
28	63-2080	Cover - Belt (Upper)	1
29	63-3290	Cover - Cable	1
30	3269-23	Rivet	4
31	66-6980	Frame - Engine	1
32	62-1440	Cover - Engine Frame	1
33	3234-G	Screw - Hex. Washer Hd.	10

*Not Illustrated

Toro 824 Service Manual

JA Banks



Toro 824 Service Manual:

Manual of Industrial and Commercial Intercourse Between the United States and Spanish America ... Thomas Savage,1889 *Panama Canal Record* ,1913 **The Panama Canal Record ...** ,1913 **Ski** ,1975-12 **Technical Abstract Bulletin** ,1981 Failure Prevention and Reliability, 1989 Sheri Sheppard,1989 *Thomas Register of American Manufacturers* ,2002 This basic source for identification of U S manufacturers is arranged by product in a large multi volume set Includes Products services Company profiles and Catalog file Thomas Register of American Manufacturers and Thomas Register Catalog File ,2002 Vols for 1970 71 includes manufacturers catalogs **Failure Prevention and Reliability** ,1989 AERO TRADER & CHOPPER SHOPPER, APRIL 1997 Causey Enterprises, LLC,

Yeah, reviewing a books **Toro 824 Service Manual** could ensue your near connections listings. This is just one of the solutions for you to be successful. As understood, achievement does not suggest that you have fabulous points.

Comprehending as skillfully as understanding even more than supplementary will offer each success. adjacent to, the publication as without difficulty as insight of this Toro 824 Service Manual can be taken as capably as picked to act.

https://ftp.barnabastoday.com/book/uploaded-files/index.jsp/tom_mitchell_machine_learning_solutions_manual.pdf

Table of Contents Toro 824 Service Manual

1. Understanding the eBook Toro 824 Service Manual
 - The Rise of Digital Reading Toro 824 Service Manual
 - Advantages of eBooks Over Traditional Books
2. Identifying Toro 824 Service Manual
 - Exploring Different Genres
 - Considering Fiction vs. Non-Fiction
 - Determining Your Reading Goals
3. Choosing the Right eBook Platform
 - Popular eBook Platforms
 - Features to Look for in an Toro 824 Service Manual
 - User-Friendly Interface
4. Exploring eBook Recommendations from Toro 824 Service Manual
 - Personalized Recommendations
 - Toro 824 Service Manual User Reviews and Ratings
 - Toro 824 Service Manual and Bestseller Lists
5. Accessing Toro 824 Service Manual Free and Paid eBooks
 - Toro 824 Service Manual Public Domain eBooks
 - Toro 824 Service Manual eBook Subscription Services

- Toro 824 Service Manual Budget-Friendly Options
- 6. Navigating Toro 824 Service Manual eBook Formats
 - ePub, PDF, MOBI, and More
 - Toro 824 Service Manual Compatibility with Devices
 - Toro 824 Service Manual Enhanced eBook Features
- 7. Enhancing Your Reading Experience
 - Adjustable Fonts and Text Sizes of Toro 824 Service Manual
 - Highlighting and Note-Taking Toro 824 Service Manual
 - Interactive Elements Toro 824 Service Manual
- 8. Staying Engaged with Toro 824 Service Manual
 - Joining Online Reading Communities
 - Participating in Virtual Book Clubs
 - Following Authors and Publishers Toro 824 Service Manual
- 9. Balancing eBooks and Physical Books Toro 824 Service Manual
 - Benefits of a Digital Library
 - Creating a Diverse Reading Collection Toro 824 Service Manual
- 10. Overcoming Reading Challenges
 - Dealing with Digital Eye Strain
 - Minimizing Distractions
 - Managing Screen Time
- 11. Cultivating a Reading Routine Toro 824 Service Manual
 - Setting Reading Goals Toro 824 Service Manual
 - Carving Out Dedicated Reading Time
- 12. Sourcing Reliable Information of Toro 824 Service Manual
 - Fact-Checking eBook Content of Toro 824 Service Manual
 - Distinguishing Credible Sources
- 13. Promoting Lifelong Learning
 - Utilizing eBooks for Skill Development
 - Exploring Educational eBooks
- 14. Embracing eBook Trends

- Integration of Multimedia Elements
- Interactive and Gamified eBooks

Toro 824 Service Manual Introduction

In the digital age, access to information has become easier than ever before. The ability to download Toro 824 Service Manual has revolutionized the way we consume written content. Whether you are a student looking for course material, an avid reader searching for your next favorite book, or a professional seeking research papers, the option to download Toro 824 Service Manual has opened up a world of possibilities. Downloading Toro 824 Service Manual provides numerous advantages over physical copies of books and documents. Firstly, it is incredibly convenient. Gone are the days of carrying around heavy textbooks or bulky folders filled with papers. With the click of a button, you can gain immediate access to valuable resources on any device. This convenience allows for efficient studying, researching, and reading on the go. Moreover, the cost-effective nature of downloading Toro 824 Service Manual has democratized knowledge. Traditional books and academic journals can be expensive, making it difficult for individuals with limited financial resources to access information. By offering free PDF downloads, publishers and authors are enabling a wider audience to benefit from their work. This inclusivity promotes equal opportunities for learning and personal growth. There are numerous websites and platforms where individuals can download Toro 824 Service Manual. These websites range from academic databases offering research papers and journals to online libraries with an expansive collection of books from various genres. Many authors and publishers also upload their work to specific websites, granting readers access to their content without any charge. These platforms not only provide access to existing literature but also serve as an excellent platform for undiscovered authors to share their work with the world. However, it is essential to be cautious while downloading Toro 824 Service Manual. Some websites may offer pirated or illegally obtained copies of copyrighted material. Engaging in such activities not only violates copyright laws but also undermines the efforts of authors, publishers, and researchers. To ensure ethical downloading, it is advisable to utilize reputable websites that prioritize the legal distribution of content. When downloading Toro 824 Service Manual, users should also consider the potential security risks associated with online platforms. Malicious actors may exploit vulnerabilities in unprotected websites to distribute malware or steal personal information. To protect themselves, individuals should ensure their devices have reliable antivirus software installed and validate the legitimacy of the websites they are downloading from. In conclusion, the ability to download Toro 824 Service Manual has transformed the way we access information. With the convenience, cost-effectiveness, and accessibility it offers, free PDF downloads have become a popular choice for students, researchers, and book lovers worldwide. However, it is crucial to engage in ethical downloading practices and prioritize personal security when utilizing online platforms. By doing so, individuals can make the most of the

vast array of free PDF resources available and embark on a journey of continuous learning and intellectual growth.

FAQs About Toro 824 Service Manual Books

How do I know which eBook platform is the best for me? Finding the best eBook platform depends on your reading preferences and device compatibility. Research different platforms, read user reviews, and explore their features before making a choice. Are free eBooks of good quality? Yes, many reputable platforms offer high-quality free eBooks, including classics and public domain works. However, make sure to verify the source to ensure the eBook credibility. Can I read eBooks without an eReader? Absolutely! Most eBook platforms offer web-based readers or mobile apps that allow you to read eBooks on your computer, tablet, or smartphone. How do I avoid digital eye strain while reading eBooks? To prevent digital eye strain, take regular breaks, adjust the font size and background color, and ensure proper lighting while reading eBooks. What the advantage of interactive eBooks? Interactive eBooks incorporate multimedia elements, quizzes, and activities, enhancing the reader engagement and providing a more immersive learning experience. Toro 824 Service Manual is one of the best book in our library for free trial. We provide copy of Toro 824 Service Manual in digital format, so the resources that you find are reliable. There are also many Ebooks of related with Toro 824 Service Manual. Where to download Toro 824 Service Manual online for free? Are you looking for Toro 824 Service Manual PDF? This is definitely going to save you time and cash in something you should think about.

Find Toro 824 Service Manual :

tom mitchell machine learning solutions manual

[tone and mood lessons 3rd grade](#)

toen dreef het bootje weg

to my daughter with love from my kitchen recipe keeper

tomos nitro manual

[tneb reading details](#)

[tocht naar chattam 1667 bij schoolplaat vad geschiedenis](#)

tonic gin refreshing without alcohol

~~tomato production processing and technology~~

~~titanmen fallen angel~~

[tlc controls level controller manual](#)

tolleys international tax planning 2015 16

[tmh general studies manual 2015 csat](#)

[todays medical assistant clinical & administrative procedures 2e](#)

[titan 7500 diesel generator parts manual](#)

Toro 824 Service Manual :

Criminalistics: An Introduction to Forensic Science (11th ... Criminalistics: An Introduction to Forensic Science (11th Edition) [Saferstein, Richard] on Amazon.com. *FREE* shipping on qualifying offers. Criminalistics (11th edition): Saferstein, Richard Criminalistics (11th edition) [Saferstein, Richard] on Amazon.com. *FREE ... Criminalistics (11th edition). 4.3 4.3 out of 5 stars 14 Reviews. 4.1 on Goodreads. An Introduction to Forensic Science - criminalistics - Chegg Criminalistics 11th edition ; ISBN-13: 9780133458824 ; Authors: Richard Saferstein ; Full Title: Criminalistics: An Introduction to Forensic Science ; Edition: 11th ... Criminalistics: An Introduction to Forensic Science (11th ... Criminalistics: An Introduction to Forensic Science (11th Edition) - Softcover. Saferstein, Richard. 4.06 avg rating • (350 ratings by Goodreads). View all ... Criminalistics: An Introduction to Forensic Science (11th ... Criminalistics: An Introduction to Forensic Science (11th Edition) Saferstein, Richard. Criminalistics (11th edition) book by Richard Saferstein Criminalistics: An Introduction to Forensic Science. Richard Saferstein ; The Forensic Casebook: The Science of Crime Scene Investigation. Ngaire E. Genge. Criminalistics: An Introduction to Forensic Science ... Criminalistics: An Introduction to Forensic Science (11th Edition). by Saferstein, Richard. Used; Paperback. Condition: Used: Good; Binding: Paperback; ISBN ... Criminalistics: An Introduction to Forensic Science (11th ... Paperback; Edition: 11; Author: Richard Saferstein; Publisher: Pearson; Release Date: 2014; ISBN-10: 0133458822; ISBN-13: 9780133458824; List Price: \$211.40. Criminalistics : an introduction to forensic science Criminalistics : an introduction to forensic science ; Author: Richard Saferstein (Author) ; Edition: 11th edition View all formats and editions ; Publisher: ... Textbook Binding By Saferstein, Richard - GOOD Criminalistics (11th edition) - Textbook Binding By Saferstein, Richard - GOOD ; Quantity. 2 available ; Item Number. 254998076406 ; Book Title. Criminalistics (... Basic English Grammar, 3rd Edition (Book only) by AZAR Comprehensive, corpus-informed grammar syllabus * The verb-tense system, modals, gerunds, and infinitives. * Nouns, articles, pronouns, and agreement. * ... Basic-English-Grammar-3rd-Ed.pdf - DG Class BASIC. ENGLISH. GRAMMAR. Third Edition. AUDIO. INCLUDED with Answer Key. PEARSON. Longman. Betty Schramper Azar. Stacy A. Hagen. Page 4. Basic English Grammar, ... Basic English Grammar, Third... by Betty Schramper Azar Basic English Grammar, Third Edition (Full Student Book with Audio CD and Answer Key) is an excellent resource for teaching the basics of English structure and ... Basic English Grammar, Third Edition (Full Student Book ...

Basic English Grammar, Third Edition (Full Student Book with Audio CD and Answer Key). by Betty Schrampf Azar, Stacy A. Hagen. Paperback. Basic English Grammar, 3rd Edition (Book only) - Softcover Blending communicative and interactive approaches with tried-and-true grammar teaching, Basic English Grammar, Third Edition, by Betty Schrampf Azar and Stacy ... (PDF) Betty Schrampf Azar - BASIC ENGLISH GRAMMAR Betty Schrampf Azar - BASIC ENGLISH GRAMMAR - 3rd edition. by Nadya Dewi. 2006. See Full PDF Download PDF. See Full PDF Download PDF. Loading. Basic English Grammar, 3rd Edition (Book & CD, without ... Minimal grammar terminology for ease of understanding. In-depth grammar practice Immediate application of grammatical forms and meanings. A variety of exercise ... Basic English Grammar by Stacy A. Hagen and Betty ... Blending communicative and interactive approaches with tried-and-true grammar teaching, "Basic English Grammar, " Third Edition, by Betty Schrampf Azar and ... Dogs: A New Understanding of Canine Origin, Behavior ... Tracing the evolution of today's breeds from these village dogs, the Coppingers show how characteristic shapes and behaviors—from pointing and baying to the ... Dogs: A New Understanding of Canine Origin, Behavior ... Tracing the evolution of today's breeds from these village dogs, the Coppingers show how characteristic shapes and behaviors—from pointing and baying to the ... Dogs A New Understanding Of Canine Origin, Behavior ... Drawing on insight gleaned from 35 years of raising, training, and researching the behaviors of dogs worldwide, the authors explore in detail how dog breeds ... Dogs: A Startling New Understanding of Canine Origin ... Drawing on insight gleaned from forty-five years of raising, training, and studying the behaviors of dogs worldwide, Lorna and Raymond Coppinger explore the ... Dogs: A New Understanding of Canine Origin, Behavior ... Tracing the evolution of today's breeds from these village dogs, the Coppingers show how characteristic shapes and behaviors—from pointing and baying to the ... Dogs-A Startling New Understanding of Canine Origin ... Nov 29, 2023 — Tracing the evolution of today's breeds from these village dogs, the Coppingers show how characteristic shapes and behaviors—from pointing and ... Dogs: A New Understanding of Canine Origin, Behavior ... Tracing the evolution of today's breeds from these village dogs, the Coppingers show how characteristic shapes and behaviors—from pointing and baying to the ... DOGS: A Startling New Understanding of Canine Origins ... Raymond Coppinger, DOGS: A Startling New Understanding of Canine Origins, Beha. , \$26 (352pp) ISBN 978-0-684-85530-1 · Featured Nonfiction Reviews. A New Understanding of Canine Origin, Behavior, and Evolution They argue that dogs did not evolve directly from wolves, nor were they trained by early humans; instead they domesticated themselves to exploit a new ... Dogs: A New Understanding of Canine Origin, Behavior ... Oct 1, 2002 — They argue that dogs did not evolve directly from wolves, nor were they trained by early humans; instead they domesticated themselves to exploit ...