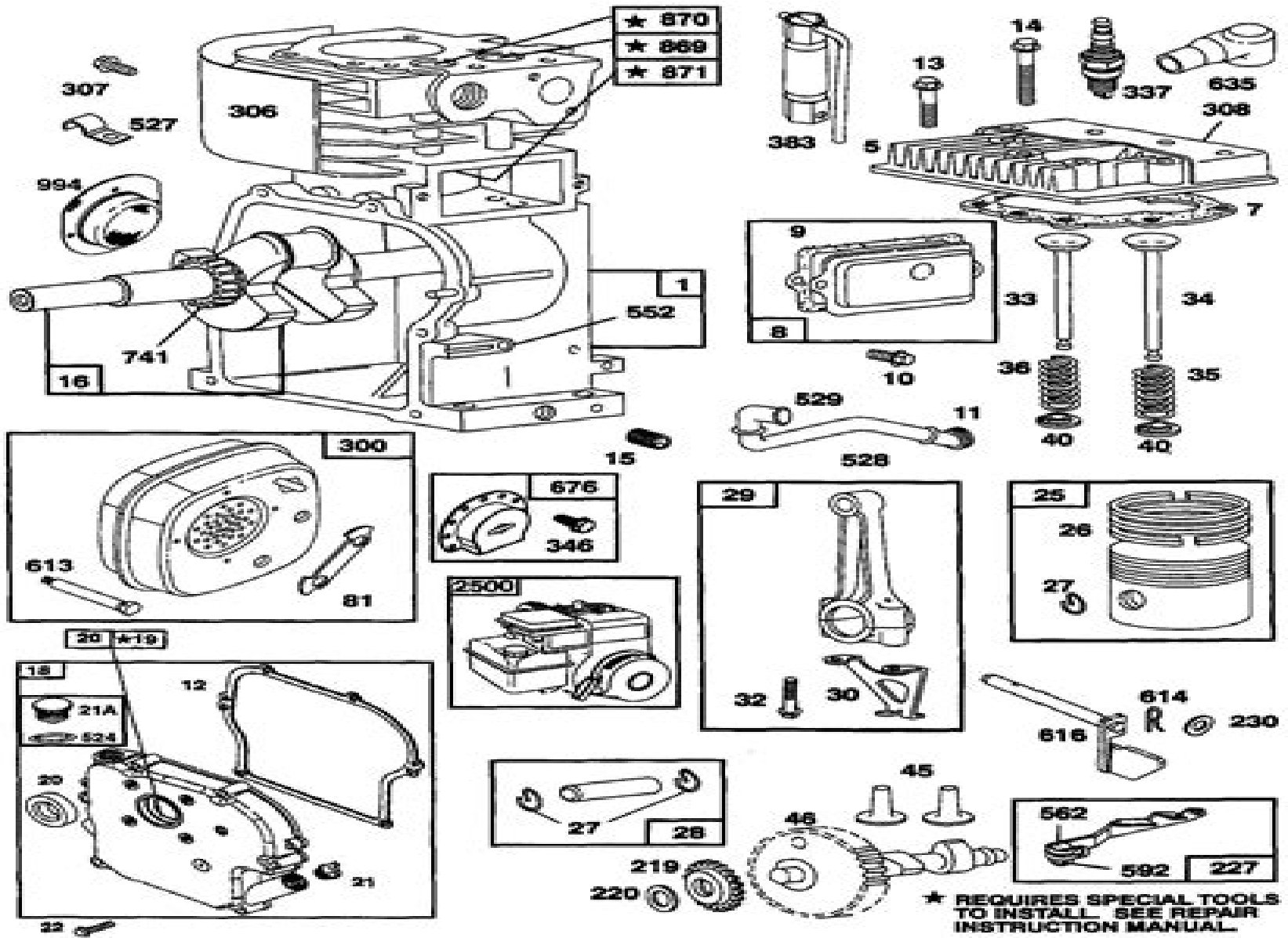


BRIGGS AND STRATTON ENGINE - MODEL NO. 137202-1117-E1



★ REQUIRES SPECIAL TOOLS TO INSTALL. SEE REPAIR INSTRUCTION MANUAL.

Toro Briggs And Stratton 190cc Manual

CH Cherryholmes



Toro Briggs And Stratton 190cc Manual:

Briggs & Stratton Service and Parts Manual Briggs & Stratton Corporation,19?? *Briggs and Stratton Service and Repair Manual* ,1977 **Briggs & Stratton Service Manual** Briggs & Stratton Corporation,1987 **Briggs & Stratton Repair Manual for Single Cylinder 4-cycle Engines** ,1994 **Repair Instructions** Briggs and Stratton Corp,1973 **Briggs & Stratton Service Engine Sales Manual** Briggs & Stratton Corp,1969 **Operating and Maintenance Manual with Parts Catalog** ,195? Single Cylinder "L" Head Repair Manual ,1999 **Operating and Maintenance Manual with Parts Catalog** Briggs & Stratton Corporation,1950 *Briggs & Stratton Service and Repair Instructions* Briggs & Stratton Corporation,1981

Embark on a transformative journey with Written by is captivating work, Discover the Magic in **Toro Briggs And Stratton 190cc Manual** . This enlightening ebook, available for download in a convenient PDF format , invites you to explore a world of boundless knowledge. Unleash your intellectual curiosity and discover the power of words as you dive into this riveting creation. Download now and elevate your reading experience to new heights .

https://ftp.barnabastoday.com/public/publication/Download_PDFS/usma_universally_simple_minded_approach_the_weat_point_experience.pdf

Table of Contents Toro Briggs And Stratton 190cc Manual

1. Understanding the eBook Toro Briggs And Stratton 190cc Manual
 - The Rise of Digital Reading Toro Briggs And Stratton 190cc Manual
 - Advantages of eBooks Over Traditional Books
2. Identifying Toro Briggs And Stratton 190cc Manual
 - Exploring Different Genres
 - Considering Fiction vs. Non-Fiction
 - Determining Your Reading Goals
3. Choosing the Right eBook Platform
 - Popular eBook Platforms
 - Features to Look for in an Toro Briggs And Stratton 190cc Manual
 - User-Friendly Interface
4. Exploring eBook Recommendations from Toro Briggs And Stratton 190cc Manual
 - Personalized Recommendations
 - Toro Briggs And Stratton 190cc Manual User Reviews and Ratings
 - Toro Briggs And Stratton 190cc Manual and Bestseller Lists
5. Accessing Toro Briggs And Stratton 190cc Manual Free and Paid eBooks
 - Toro Briggs And Stratton 190cc Manual Public Domain eBooks
 - Toro Briggs And Stratton 190cc Manual eBook Subscription Services

- Toro Briggs And Stratton 190cc Manual Budget-Friendly Options
- 6. Navigating Toro Briggs And Stratton 190cc Manual eBook Formats
 - ePub, PDF, MOBI, and More
 - Toro Briggs And Stratton 190cc Manual Compatibility with Devices
 - Toro Briggs And Stratton 190cc Manual Enhanced eBook Features
- 7. Enhancing Your Reading Experience
 - Adjustable Fonts and Text Sizes of Toro Briggs And Stratton 190cc Manual
 - Highlighting and Note-Taking Toro Briggs And Stratton 190cc Manual
 - Interactive Elements Toro Briggs And Stratton 190cc Manual
- 8. Staying Engaged with Toro Briggs And Stratton 190cc Manual
 - Joining Online Reading Communities
 - Participating in Virtual Book Clubs
 - Following Authors and Publishers Toro Briggs And Stratton 190cc Manual
- 9. Balancing eBooks and Physical Books Toro Briggs And Stratton 190cc Manual
 - Benefits of a Digital Library
 - Creating a Diverse Reading Collection Toro Briggs And Stratton 190cc Manual
- 10. Overcoming Reading Challenges
 - Dealing with Digital Eye Strain
 - Minimizing Distractions
 - Managing Screen Time
- 11. Cultivating a Reading Routine Toro Briggs And Stratton 190cc Manual
 - Setting Reading Goals Toro Briggs And Stratton 190cc Manual
 - Carving Out Dedicated Reading Time
- 12. Sourcing Reliable Information of Toro Briggs And Stratton 190cc Manual
 - Fact-Checking eBook Content of Toro Briggs And Stratton 190cc Manual
 - Distinguishing Credible Sources
- 13. Promoting Lifelong Learning
 - Utilizing eBooks for Skill Development
 - Exploring Educational eBooks
- 14. Embracing eBook Trends

- Integration of Multimedia Elements
- Interactive and Gamified eBooks

Toro Briggs And Stratton 190cc Manual Introduction

In today's digital age, the availability of Toro Briggs And Stratton 190cc Manual books and manuals for download has revolutionized the way we access information. Gone are the days of physically flipping through pages and carrying heavy textbooks or manuals. With just a few clicks, we can now access a wealth of knowledge from the comfort of our own homes or on the go. This article will explore the advantages of Toro Briggs And Stratton 190cc Manual books and manuals for download, along with some popular platforms that offer these resources. One of the significant advantages of Toro Briggs And Stratton 190cc Manual books and manuals for download is the cost-saving aspect. Traditional books and manuals can be costly, especially if you need to purchase several of them for educational or professional purposes. By accessing Toro Briggs And Stratton 190cc Manual versions, you eliminate the need to spend money on physical copies. This not only saves you money but also reduces the environmental impact associated with book production and transportation. Furthermore, Toro Briggs And Stratton 190cc Manual books and manuals for download are incredibly convenient. With just a computer or smartphone and an internet connection, you can access a vast library of resources on any subject imaginable. Whether you're a student looking for textbooks, a professional seeking industry-specific manuals, or someone interested in self-improvement, these digital resources provide an efficient and accessible means of acquiring knowledge. Moreover, PDF books and manuals offer a range of benefits compared to other digital formats. PDF files are designed to retain their formatting regardless of the device used to open them. This ensures that the content appears exactly as intended by the author, with no loss of formatting or missing graphics. Additionally, PDF files can be easily annotated, bookmarked, and searched for specific terms, making them highly practical for studying or referencing. When it comes to accessing Toro Briggs And Stratton 190cc Manual books and manuals, several platforms offer an extensive collection of resources. One such platform is Project Gutenberg, a nonprofit organization that provides over 60,000 free eBooks. These books are primarily in the public domain, meaning they can be freely distributed and downloaded. Project Gutenberg offers a wide range of classic literature, making it an excellent resource for literature enthusiasts. Another popular platform for Toro Briggs And Stratton 190cc Manual books and manuals is Open Library. Open Library is an initiative of the Internet Archive, a non-profit organization dedicated to digitizing cultural artifacts and making them accessible to the public. Open Library hosts millions of books, including both public domain works and contemporary titles. It also allows users to borrow digital copies of certain books for a limited period, similar to a library lending system. Additionally, many universities and educational institutions have their own digital libraries that provide free access to PDF books and manuals. These libraries often offer academic texts, research papers, and technical manuals,

making them invaluable resources for students and researchers. Some notable examples include MIT OpenCourseWare, which offers free access to course materials from the Massachusetts Institute of Technology, and the Digital Public Library of America, which provides a vast collection of digitized books and historical documents. In conclusion, Toro Briggs And Stratton 190cc Manual books and manuals for download have transformed the way we access information. They provide a cost-effective and convenient means of acquiring knowledge, offering the ability to access a vast library of resources at our fingertips. With platforms like Project Gutenberg, Open Library, and various digital libraries offered by educational institutions, we have access to an ever-expanding collection of books and manuals. Whether for educational, professional, or personal purposes, these digital resources serve as valuable tools for continuous learning and self-improvement. So why not take advantage of the vast world of Toro Briggs And Stratton 190cc Manual books and manuals for download and embark on your journey of knowledge?

FAQs About Toro Briggs And Stratton 190cc Manual Books

How do I know which eBook platform is the best for me? Finding the best eBook platform depends on your reading preferences and device compatibility. Research different platforms, read user reviews, and explore their features before making a choice. Are free eBooks of good quality? Yes, many reputable platforms offer high-quality free eBooks, including classics and public domain works. However, make sure to verify the source to ensure the eBook credibility. Can I read eBooks without an eReader? Absolutely! Most eBook platforms offer web-based readers or mobile apps that allow you to read eBooks on your computer, tablet, or smartphone. How do I avoid digital eye strain while reading eBooks? To prevent digital eye strain, take regular breaks, adjust the font size and background color, and ensure proper lighting while reading eBooks. What the advantage of interactive eBooks? Interactive eBooks incorporate multimedia elements, quizzes, and activities, enhancing the reader engagement and providing a more immersive learning experience. Toro Briggs And Stratton 190cc Manual is one of the best book in our library for free trial. We provide copy of Toro Briggs And Stratton 190cc Manual in digital format, so the resources that you find are reliable. There are also many Ebooks of related with Toro Briggs And Stratton 190cc Manual. Where to download Toro Briggs And Stratton 190cc Manual online for free? Are you looking for Toro Briggs And Stratton 190cc Manual PDF? This is definitely going to save you time and cash in something you should think about.

Find Toro Briggs And Stratton 190cc Manual :

usma universally simple minded approach the weat point experience

useful mathematical and physical formulae

user manual seat leon fr

usmc survival guide

using plapack scientific and engineering computation

user centered translation translation practices explained

user guide canon ir 3310

user manual vizio tv

usmc technical manual amk23

user manual turnerafter commander mc1218q

user manual abrites renault commander

user manual trugolf

using structured design how to make programs simple changeable flexible and reusable

used manual transmission dodge sprinter

using america online special edition using

Toro Briggs And Stratton 190cc Manual :

principles of laparoscopic surgery basic and adva pdf - Oct 09 2022

web oct 12 2023 principles of laparoscopic surgery basic and adva the basic principles of external skeletal fixation using the ilizarov and other devices leonid solomin 2013 02 17 the ilizarov device has revolutionized the treatment of non healing fractures and the correction of deformities this book supplies all the information required

general principles of laparoscopic surgery springerlink - Mar 14 2023

web abstract in this section the steps of various established laparoscopic abdominal procedures are described all are essentially based on basic surgical skills the acquisition of which is essential for safe laparoscopic surgery

principles of laparoscopic surgery sciencedirect - Aug 19 2023

web mar 1 2020 abstract laparoscopic surgery is currently established as the primary modality for many procedures in has been associated with a number of benefits over traditional open surgery including reduced pain shorter hospital stay

principles and practice of surgical laparoscopy researchgate - Sep 08 2022

web jan 1 1996 as early as 1901 kelling 1902 recommended laparoscopy for the assessment of intra abdominal organs in the 1950 s internists and gynecologists developed the technique into a routine tool

principles of laparoscopic surgery basic and advanced - Jun 17 2023

web principles of laparoscopic surgery basic and advanced techniques jama jama network the first direct visual inspection of an internal organ uterine cervix appeared in the babylonian talmud niddah treatise section 65b in which a lead funnel skip to navigation our website uses cookies to enhance your experience

principlesoflaparosc opicsurgerybasicand adva - Apr 03 2022

web 4 4 principlesoflaparoscopicsurgerybasicandadva2022 11 15 surgery for acute abdomen in the elderly according to the principles of evidence based medicine

principles of laparoscopic surgery basic and adva 2013 - Aug 07 2022

web 2 principles of laparoscopic surgery basic and adva 2020 03 11 with an emphasis on a practical how to approach this comprehensive text addresses the most important and commonly performed procedures in gynecologic oncology surgery today

principlesoflaparoscopicsurgerybasicandadva download only - Jun 05 2022

web basic laparoscopic techniques and advanced endoscopic suturing nyhus and condon s hernia this book provides simplified principles of surgical anatomy for colorectal cancers with sophisticated drawings standard laparoscopic procedures with striking photographs and illustrations and

principles of laparoscopic surgery sciencedirect - Apr 15 2023

web mar 1 2020 any surgeon involved in laparoscopic surgery must be aware of potential pitfalls to allow a conscious effort to avoid them in this article we will consider the steps required to deliver safe and effective laparoscopic surgery

the principles of safe laparoscopic surgery sciencedirect - Jan 12 2023

web mar 1 2014 principles of safe laparoscopic colorectal surgery safe laparoscopic surgery invariably comprises a number of crucial stages namely positioning of the patient gaining access to the abdomen insufflation of gas maintaining good vision placement of additional ports use of appropriate laparoscopic instruments and ligation

principlesoflaparoscopicsurgerybasicandadva pdf - May 04 2022

web instrumentation platforms and basic principles robotic assisted laparoscopic myomectomy total hysterectomy for benign disease endometriosis management and total hysterectomy for cancer as well as techniques for robotic adnexal surgery urogynecology pelvic reconstructive surgery tubal

principlesoflaparosc opicsurgerybasicand adva - Mar 02 2022

web 4 4 principlesoflaparoscopicsurgerybasicandadva2020 08 15 and community surgeons learn new procedures or refresh

your memory on operative details prior to

[principlesoflaparosc opicsurgerybasicand adva](#) - Feb 01 2022

web adva principles of flexible endoscopy for surgeons art of laparoscopic surgery atlas of robotic conventional and single port laparoscopy urologic laparoscopy international principles of laparoscopic surgery the sages manual operative gynecologic laparoscopy laparoscopic colorectal surgery basic laparoscopic

fundamentals of laparoscopic surgery principles - Dec 11 2022

web jan 1 2018 pdf the minimally invasive laparoscopic surgery has gained popularity among various surgical specialties however unique skills are required to find read and cite all the research you

principles of laparoscopic surgery basic and advanced - Jul 18 2023

web contents the book has four sections the first portion deals with the history of endoscopic surgery basic instrumentation and techniques anesthetic considerations and complications and credentialing for laparoscopy the largest section addresses a broad range of topics on laparoscopic general surgical procedures

principles of laparoscopic surgery basic and advanced - May 16 2023

web dec 6 2005 principles of laparoscopic surgery basic and advanced techniques m e arregui r j fitzgibbons jr n katkhouda j b mckeman and h reich eds 285 220 mm pp 852 illustrated 1995 heidelberg springer

principles of laparoscopic surgery basic and adva pdf - Jul 06 2022

web principles of laparoscopic surgery basic and adva basic to advanced computer aided design using nx 8 modeling drafting and assemblies apr 16 2020 basic to advanced nx8 modeling drafting and assemblies is the newly revised version of our previous cad training textbooks we have greatly expanded the content detail and

basic principles and anatomy for the laparoscopic surgeon - Feb 13 2023

web feb 26 2022 this chapter reviews basic principles and practical surgical anatomy encountered by the laparoscopic gynecologic surgeon surface landmarks surface anatomy and osseous structures are important markers for surgeons

principles of laparoscopic surgery basic and advanced - Sep 20 2023

web the surgical pioneers who recognized the potential value of laparoscopy for treatment many years previously certainly deserve a great deal of credit for their farsightedness in a sense however the changes of the past few years amount to the development of a whole new branch of surgery

principles of laparoscopic surgery basic and advanced - Nov 10 2022

web dec 6 2012 in principles of laparoscopic surgery the editors have asked a select group of expert surgeons to present what amounts to an encyclopedic account of current laparoscopic surgical practice the detailed but varying opinions on the management of gallbladder and complex pancreaticobiliary disease are unique to this volume

l esclave mario et la vierge fondation pour la memoire de l - Aug 06 2023

web l esclave mario et la vierge noire persécuté par son maître mario avait décidé de s'enfuir et de se réfugier à l'entrée des gorges profondes de la rivière des pluies non loin de l'église actuelle il avait emporté avec lui une statuette à l'effigie de la vierge cadeau d'une précédente maîtresse

le triangle de l'esclavage ac dijon fr - Aug 26 2022

web chemins de l'esclavage pays arabes complicité de certains pouvoirs africains traditionnels quatre siècles recours à l'esclavage dicté par l'intérêt commercial le profit de certains cynisme des arguments obligés de déporter puisque esclave objet ou animal pas de droits peut être vendu familles séparées

l'esclavage bnf essentiels gallica - Jul 05 2023

web l'esclavage le marchand d'esclaves deux siècles après les premiers transports d'esclaves africains vers l'amérique espagnole et portugaise les antilles deviennent au xviii^e siècle une des destinations majeures de la traite négrière en effet la culture de la canne à sucre implantée dans les caraïbes est grande consommatrice de

une histoire de la vie des esclaves par eux mêmes - Apr 02 2023

web sep 26 2019 dans les textes anciens comme dans la bible il y a manifestement des esclaves l'esclavage a été utilisé dans toutes les sociétés comme outil de travail à partir du moment où elles en ont eu besoin à savoir avec

l esclave vierge gilles de saint avit payot - Nov 28 2022

web résumé la très jeune hélène quoique vierge n'a rien d'une oie blanche elle sait se servir de ses doigts et de sa bouche quand le besoin s'en fait sentir mais la voilà qui s'éprend à en perdre la raison d'un homme qui a décidé d'en faire son esclave sexuelle

l esclavage türkçe çeviri örnekler fransızca reverso context - Apr 21 2022

web l'esclavage metninin reverso context tarafından fransızca türkçe bağlamda çevirisi juste une couverture pour l'esclavage *amazon fr l'esclave vierge saint avit gilles de livres* - Jun 04 2023

web l'esclave vierge broché 12 avril 2006 de gilles de saint avit auteur aucun commentaire afficher tous les formats et éditions broché 4 70 6 d'occasion à partir de 4 68 la très jeune hélène quoique vierge n'a rien d'une oie blanche elle sait se servir de ses doigts et de sa bouche quand le besoin s'en fait sentir

l esclave wikipédia - Jan 31 2023

web l'esclave est le titre de plusieurs œuvres cinéma l'esclave court métrage de louis feuillade l'esclave long métrage d'yves ciampi l'esclave the image long métrage de radley metzger théâtre l'esclave the slave pièce d'amiri baraka opéra l'esclave opéra en quatre actes d'edmond membrée livret d'edmond got et

l esclave vierge de gilles de saint avit recyclivre - Dec 30 2022

web l esclave vierge de gilles de saint avit achats de livres à petits prix livraison gratuite en france 1 million de livres en stock recyclivre rachète et collecte gratuitement vos livres dans toute la france

l esclave vierge by gilles de saint avit avvu com tr - Jul 25 2022

web l esclave vierge romance adulte littérature livre le signe vierge son caractre le travail la sant et l le secret de marie sur l esclavage de la sainte vierge de

collectif l 39 esclave vierge littérature érotique - May 23 2022

web la très jeune hélène quoique vierge n a rien d une oie blanche elle sait se servir de ses doigts et de sa bouche quand le besoin s en fait sentir mais la voilà qui s éprend à en perdre la raison d un homme qui a décidé d en faire son esclave sexuelle
l esclavage par ascendance une pratique persistante en afrique de l - Jun 23 2022

web jan 5 2023 on crée des écoles surtout dans les zones de persistance esclavagiste aujourd'hui l une des principales armes pour combattre l esclavage c est l éducation

l esclave mario et la vierge noire société de plantation histoire - Oct 08 2023

web l esclave mario et la vierge noire localisation sainte marie date 2008 artiste marco ah kiem sculpture basalte un esclave marron nommé mario est représenté ici debout au pied de la vierge noire

l histoire de la vierge noire à la réunion - Sep 07 2023

web la légende de la vierge noire raconte l histoire d un esclave du nom de mario détenu par un riche propriétaire de sainte marie un jour mario décida de s enfuir pour retrouver sa liberté et parti se réfugier près de la rivière des pluies

l esclave vierge by gilles de saint avit konnoi - Mar 21 2022

web l esclave vierge by gilles de saint avit l esclave vierge by gilles de saint avit xv aot l'assomption de la trs sainte vierge sensus bibliothèque rotique 178 l esclave vierge m1000 bibl le secret de marie sur l esclavage de la sainte vierge de l arrive des esclaves en amrique et leurs conditions de vie vierge noire de la rivire des pluies

l esclavage à valence les affranchis et leur intégration sociale - Mar 01 2023

web la société tendait à intégrer l esclave qui venait la plupart du temps de lieux où les conditions de vie étaient beaucoup plus difficiles en règle générale l esclave décidait de rester à valence et abandonnait l idée de retourner dans son pays d origine

la légende de l esclave mario et de la vierge noire dailymotion - Oct 28 2022

web nov 29 2020 la vierge noire de la rivière des pluies est très populaire à la réunion mais connaissez vous la légende qui se cache derrière l histoire de ce site voici l histoire de mario un jeune esclave marron qui a décidé de vivre libre

l esclave film 1953 allociné - Feb 17 2022

web mar 16 2022 l esclave est un film réalisé par yves ciampi avec daniel gélin barbara laage synopsis michel lando un

pianiste virtuose au chômage trouve un emploi dans un orchestre de brasserie

[lesclave vierge abebooks](#) - May 03 2023

web l esclave vierge by esparbec and a great selection of related books art and collectibles available now at abebooks com

[la légende de l esclave mario et de la vierge noire youtube](#) - Sep 26 2022

web nov 29 2020 voici l histoire de mario un jeune esclave marron qui a décidé de vivre libre mario viergenoire esclavage la vierge noire de la rivière des pluies est très populaire à la réunion

reste translate french to english cambridge dictionary - Aug 11 2023

web reste translate rest remainder leftover remainder remains scrap learn more in the cambridge french english dictionary

iliona reste clip officiel youtube - Dec 23 2021

web nov 6 2023 minecraft live might be over but the fun of trying new features is just starting game director agnes larsson and a team of mojang developers gave us a first

[trial chambers first peek minecraft](#) - Nov 21 2021

web 6 hours ago les volcans c est comme des éléphants ça a plutôt tendance à dormir et ça fait éruption de temps en temps un volcan peut dormir 700 ans comme le pinatubo aux

about us restelab - Feb 05 2023

web about us reste laboratories restelab was incorporated in 2016 from its humble beginnings as a small laboratory set up in eastern part of singapore restelab grew

ligue des champions lens chute à eindhoven tout reste à faire - Aug 19 2021

web 2 days ago maguire nous pouvons nous améliorer après la pause le défenseur de manchester united harry maguire a révélé qu il pensait que les reds avaient encore une

[reste definition meaning merriam webster](#) - Jul 10 2023

web reste is contained in 2 matches in merriam webster dictionary learn definitions uses and phrases with reste

[définitions reste restes dictionnaire de français larousse](#) - Mar 26 2022

web reste se dit aussi au jeu de paume de volant quand quelqu un joué si bien qu il renvoie tous les coups que c est enfin l adversaire qui fait la faute cet homme joué

gims sting reste clip officiel youtube - May 28 2022

web reste rester français anglais Ça reste entre nous expr c est un secret this is just between you and me this stays between you and me expr colloquial between you

mycareersfuture singapore - Aug 31 2022

web oct 1 2023 one who rests 2013 diane p koenker club red vacation travel and the soviet dream page 136 their ideal

vacation experience made the rest the focus of

volcan en islande en france il reste des réservoirs de magma - Oct 21 2021

web 5 hours ago ce mardi matin il ne restait que 1000 places à vendre sur l'ensemble du stade les points de vente restent les mêmes intersport le soccer club la table de

inondations dans le pas de calais le département reste en - May 16 2021

web 1 hour ago l'impact immédiat sur la région du westhoek n'était pas important mais la situation reste précaire localement les seuils d'alerte seront à nouveau dépassés dans

reste définitions synonymes conjugaison exemples dico en - Feb 22 2022

web nov 9 2023 singapore airlines and budget arm scoot aim to restore pre pandemic passenger capacity in 2024 25 financial year chief executive says

english translation of il reste collins online dictionary - Dec 03 2022

web this rest period may be shortened to 24 hours reduced weekly rest expand more ce temps de repos peut être réduit à 24 heures repos hebdomadaire réduit rest also

vuitton nicolas ghesquière reste directeur artistique des - Jun 16 2021

web nov 11 2023 comme ces derniers jours le pas de calais continue d'être victime des intempéries ce samedi 11 novembre l'aa reste en vigilance rouge crues tandis que la

reste traduction dictionnaire français anglais - Apr 26 2022

web au reste du reste complète rectifie nuance une affirmation au surplus d'ailleurs de reste plus qu'il n'est nécessaire avoir de l'argent de reste Être en reste avec

158 examples of reste in sentences online english collocation - Mar 14 2021

web le taux de chômage dans la zone ocde reste inchangé à 4,8 en septembre 2022 version complète du communiqué graphiques et tableaux inclus pdf 14 novembre

rester wiktionary the free dictionary - Jul 30 2022

web re s launches initial public offering re s successfully listed on the catalist board on 22 november 2017 at 35,5 singapore cents 61 higher than its issue price of 22 cents it

our services restelab - Jan 04 2023

web ce qui me reste à faire what remains for me to do 4 durer to last to live on 5 autres locutions y rester il a failli y rester that was nearly the end of him full verb table

mycareersfuture singapore - Mar 06 2023

web considering a job reste laboratories pte ltd in singapore view the latest jobs on offer from reste laboratories pte ltd on

mycareersfuture sg

il ne reste que 1000 places pour fbbp 01 saint Étienne - Sep 19 2021

web nov 8 2023 un de chute pour le rc lens auteurs d une copie plus que mitigée les sang et or ont été battus 1 0 par le psv eindhoven au cours de la 4ème journée du groupe

restelab - Sep 12 2023

web restelab operates a 20 000 square feet world class laboratory in toa payoh centrally located in singapore with state of the art equipment from reputable brands abbott

mainland china demand crucial to restoring singapore airlines - Jan 24 2022

web 3 years ago iliona reste clip officiel 2e ep tête brûlée disponible maintenant iliona bfan link tetebruleemon 1er ep tristesse disponible ili

la situation dans le westhoek reste précaire après de nouvelles - Apr 14 2021

web reste reste reste reste reste reste reste reste inspire pick elegant words

reste group - Oct 13 2023

web the reste group aims to improve healthcare by offering a range innovative technologies and services through our group of companies restalyst restelab and restemedical

reste definition meaning merriam webster - Oct 01 2022

web jul 10 2023 reste laboratories pte ltd financial controller mcf 2023 0521248 5 toa payoh west 318877 permanent full time middle management 10 years

reste translation in english french english dictionary reverso - Jun 09 2023

web un reste de a remnant of a last trace of mathématique d une opération remainder autres locutions avoir du temps de reste to have time to spare ne pas vouloir être en

reste translation in english bab la - Nov 02 2022

web reste is contained in 2 matches in merriam webster dictionary learn definitions uses and phrases with reste

reste laboratories pte ltd 201541691d singapore - May 08 2023

web nov 27 2015 reste laboratories pte ltd was incorporated on 27 november 2015 friday as a private company limited by shares in singapore the company

taux de chômage de l ocde mise à jour novembre 2023 - Feb 10 2021

re s food for life home - Jun 28 2022

web aug 26 2019 les vestiges du fleau maintenant disponible gims s ib link lesvestiges facebo

maguire nous pouvons encore nous améliorer manchester - Jul 18 2021

web 10 hours ago le styliste nicolas ghesquière reste aux commandes des collections féminines de la maison louis vuitton qui a renouvelé son contrat après dix ans passés à

reste wiktionary the free dictionary - Apr 07 2023

web oct 21 2023 reste m plural restes rest remainder le reste du monde the rest of the world j ai fait ce matin une grande partie de ma tâche ce soir je ferai le reste i ve done