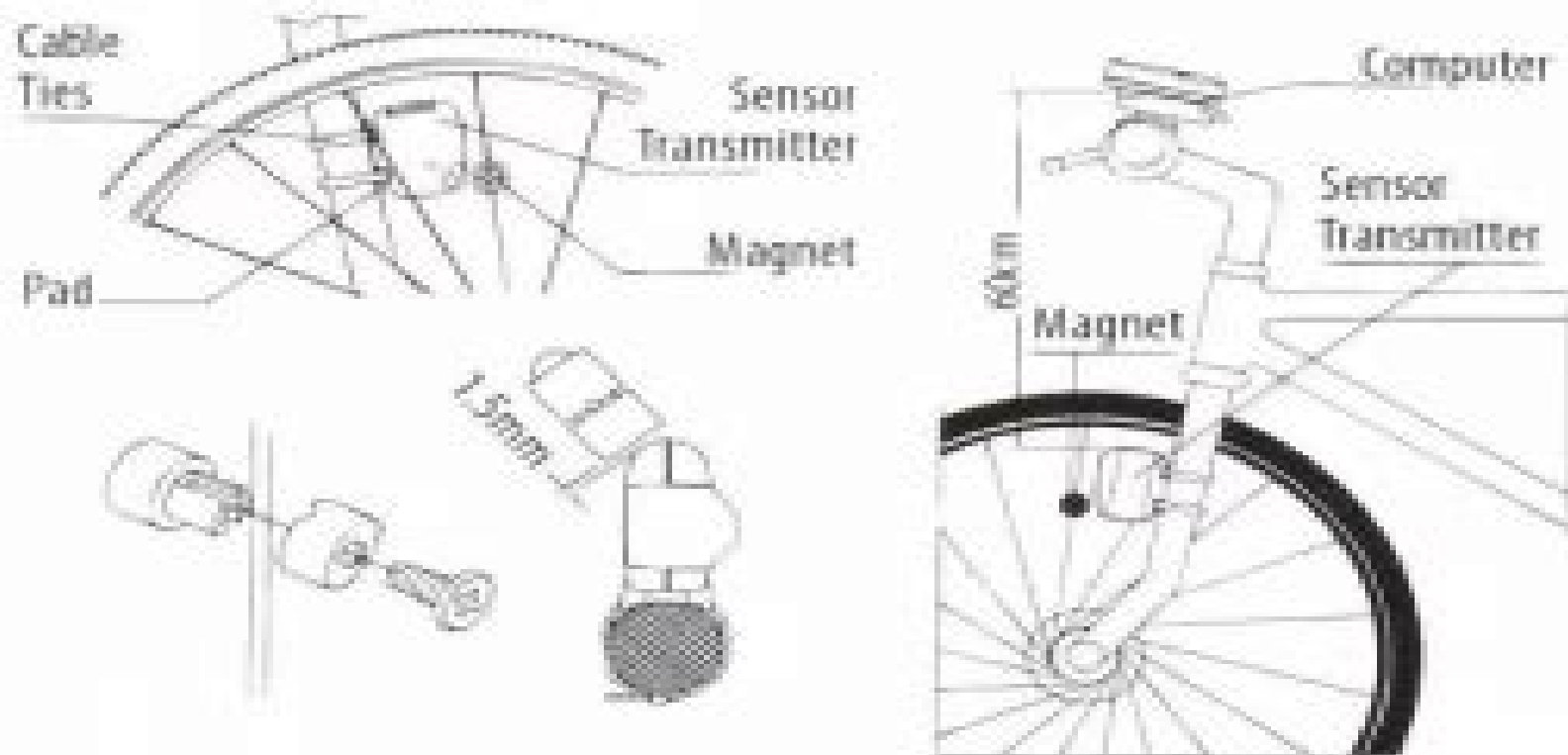


battery cover and replace the cover. Should the LCD show irregular figures, take the battery and re-install it.

Sensor Transmitter



Attach the sensor transmitter to the left fork blade, the distance between com and the sensor can not exceed 60cm, the closer the better. Using the shims to a the diameter, and the cable ties (shown in mounting shoe section) to tie to the

Trek Speedometer Manual

R.R. Bowker Company



Trek Speedometer Manual:

Field & Stream ,1991-05 FIELD STREAM America s largest outdoor sports magazine celebrates the outdoor experience with great stories compelling photography and sound advice while honoring the traditions hunters and fishermen have passed down for generations *Star Trek, the Next Generation* Corey Sandler,1994 Based on Star Trek the Next Generation this game appears on the Nintendo Entertainment System Future s Past is a strategy adventure game mainly involving problem solving It also includes exploration space combat and a library of Star Trek related information limited to the Next Generation Science Fiction Studies ,1997 **Field & Stream** ,1991 Field and Stream ,1991 *Computer Gaming World* ,1999 Ecology and Morphology of Copepods Frank D. Ferrari,Brian P. Bradley,2013-04-18 Ecology and Morphology of Copepods is organized under the following general topics Behavior Feeding Genetics Horizontal Variations Morphology Phylogeny Reproduction Seasonal Changes Vertical Distribution plus two special sessions on copepods of the genus Acartia and cyclopid mosquito interactions The Maxilliped Lecture given by Dr Arthur G Humes of Boston University clearly established the importance of copepods to the earth s organic diversity The book consists of selected research articles from the different sections The articles published here reflect the diverse research interests of copepodologists today and are distinguished by their high quality Their impact will ensure that this volume is consulted by a wide range of research biologists Software Reviews on File ,1992 **Bowker's Complete Sourcebook of Personal Computing, 1985** R.R. Bowker Company,1984 Provides Listings of Hardware Software Peripherals Currently Available as Well as Books Magazines Clubs User Groups Virtually All Other Microcomputer related Services Includes Background Information Glossary **Road and Track** ,2005 *Microsoft Windows 7 in Depth* Robert Cowart,Brian Knittel,2010 Starting with an overview to guide decisions on which version to purchase Cowart and Knittel cover Windows improved interface security Web browsing performance multimedia networking and system management and stability features A trial online edition is available

Biomolecular Crystallography Bernhard Rupp,2009-10-20 Synthesizing over thirty years of advances into a comprehensive textbook Biomolecular Crystallography describes the fundamentals practices and applications of protein crystallography Illustrated in full color by the author the text describes mathematical and physical concepts in accessible and accurate language Biomolecular Crystallography will be a valuable resource for advanced undergraduate and graduate students and practitioners in structural biology crystallography and structural bioinformatics *Motor Trend* ,1985 **The Shareware Compendium** Rob Rosenberger,1993 An official product of the Association of Shareware Professionals this compendium ensures user access to current high quality software programs from association authors who continue to offer assistance after the sale Readers will find descriptions of over 700 shareware programs available explicit contact information to obtain the programs and ways to receive daily software updates **AAA New Car and Truck Buying Guide** AAA Publishing,1955 Thoroughly revised and updated for 2001 the guide that has helped thousands of car and truck buyers make

the right decision is now better than ever Includes a listing of AAA Top Car Award winners for the year fuel economy reports and sound advice on buy vs lease Full color photos throughout Working Woman ,1981 Car and Driver ,1983 *Take This Stuff and Hack It!* Dave Prochnow,2006 This guide shows how 30 common household items can be hacked and tweaked into products totally different than what the manufacturer intended Garage and basement tinkerers will get fully illustrated coverage of which products are hackable how to hack them and how to convert them into some unique fun stuff **Color**
Me Feminist Georgie Bright Kunkel,2000 Consumers Digest ,2001

If you ally obsession such a referred **Trek Speedometer Manual** books that will come up with the money for you worth, acquire the unconditionally best seller from us currently from several preferred authors. If you desire to witty books, lots of novels, tale, jokes, and more fictions collections are after that launched, from best seller to one of the most current released.

You may not be perplexed to enjoy every books collections Trek Speedometer Manual that we will no question offer. It is not in the region of the costs. Its practically what you obsession currently. This Trek Speedometer Manual, as one of the most functional sellers here will categorically be in the midst of the best options to review.

https://ftp.barnabastoday.com/files/scholarship/fetch.php/yamaha_350_ypvs_manual.pdf

Table of Contents Trek Speedometer Manual

1. Understanding the eBook Trek Speedometer Manual
 - The Rise of Digital Reading Trek Speedometer Manual
 - Advantages of eBooks Over Traditional Books
2. Identifying Trek Speedometer Manual
 - Exploring Different Genres
 - Considering Fiction vs. Non-Fiction
 - Determining Your Reading Goals
3. Choosing the Right eBook Platform
 - Popular eBook Platforms
 - Features to Look for in an Trek Speedometer Manual
 - User-Friendly Interface
4. Exploring eBook Recommendations from Trek Speedometer Manual
 - Personalized Recommendations
 - Trek Speedometer Manual User Reviews and Ratings
 - Trek Speedometer Manual and Bestseller Lists
5. Accessing Trek Speedometer Manual Free and Paid eBooks

- Trek Speedometer Manual Public Domain eBooks
 - Trek Speedometer Manual eBook Subscription Services
 - Trek Speedometer Manual Budget-Friendly Options
6. Navigating Trek Speedometer Manual eBook Formats
 - ePub, PDF, MOBI, and More
 - Trek Speedometer Manual Compatibility with Devices
 - Trek Speedometer Manual Enhanced eBook Features
 7. Enhancing Your Reading Experience
 - Adjustable Fonts and Text Sizes of Trek Speedometer Manual
 - Highlighting and Note-Taking Trek Speedometer Manual
 - Interactive Elements Trek Speedometer Manual
 8. Staying Engaged with Trek Speedometer Manual
 - Joining Online Reading Communities
 - Participating in Virtual Book Clubs
 - Following Authors and Publishers Trek Speedometer Manual
 9. Balancing eBooks and Physical Books Trek Speedometer Manual
 - Benefits of a Digital Library
 - Creating a Diverse Reading Collection Trek Speedometer Manual
 10. Overcoming Reading Challenges
 - Dealing with Digital Eye Strain
 - Minimizing Distractions
 - Managing Screen Time
 11. Cultivating a Reading Routine Trek Speedometer Manual
 - Setting Reading Goals Trek Speedometer Manual
 - Carving Out Dedicated Reading Time
 12. Sourcing Reliable Information of Trek Speedometer Manual
 - Fact-Checking eBook Content of Trek Speedometer Manual
 - Distinguishing Credible Sources
 13. Promoting Lifelong Learning
 - Utilizing eBooks for Skill Development

- Exploring Educational eBooks
14. Embracing eBook Trends
- Integration of Multimedia Elements
 - Interactive and Gamified eBooks

Trek Speedometer Manual Introduction

Trek Speedometer Manual Offers over 60,000 free eBooks, including many classics that are in the public domain. Open Library: Provides access to over 1 million free eBooks, including classic literature and contemporary works. Trek Speedometer Manual Offers a vast collection of books, some of which are available for free as PDF downloads, particularly older books in the public domain. Trek Speedometer Manual : This website hosts a vast collection of scientific articles, books, and textbooks. While it operates in a legal gray area due to copyright issues, its a popular resource for finding various publications. Internet Archive for Trek Speedometer Manual : Has an extensive collection of digital content, including books, articles, videos, and more. It has a massive library of free downloadable books. Free-eBooks Trek Speedometer Manual Offers a diverse range of free eBooks across various genres. Trek Speedometer Manual Focuses mainly on educational books, textbooks, and business books. It offers free PDF downloads for educational purposes. Trek Speedometer Manual Provides a large selection of free eBooks in different genres, which are available for download in various formats, including PDF. Finding specific Trek Speedometer Manual, especially related to Trek Speedometer Manual, might be challenging as theyre often artistic creations rather than practical blueprints. However, you can explore the following steps to search for or create your own Online Searches: Look for websites, forums, or blogs dedicated to Trek Speedometer Manual, Sometimes enthusiasts share their designs or concepts in PDF format. Books and Magazines Some Trek Speedometer Manual books or magazines might include. Look for these in online stores or libraries. Remember that while Trek Speedometer Manual, sharing copyrighted material without permission is not legal. Always ensure youre either creating your own or obtaining them from legitimate sources that allow sharing and downloading. Library Check if your local library offers eBook lending services. Many libraries have digital catalogs where you can borrow Trek Speedometer Manual eBooks for free, including popular titles. Online Retailers: Websites like Amazon, Google Books, or Apple Books often sell eBooks. Sometimes, authors or publishers offer promotions or free periods for certain books. Authors Website Occasionally, authors provide excerpts or short stories for free on their websites. While this might not be the Trek Speedometer Manual full book , it can give you a taste of the authors writing style. Subscription Services Platforms like Kindle Unlimited or Scribd offer subscription-based access to a wide range of Trek Speedometer Manual eBooks, including some popular titles.

FAQs About Trek Speedometer Manual Books

How do I know which eBook platform is the best for me? Finding the best eBook platform depends on your reading preferences and device compatibility. Research different platforms, read user reviews, and explore their features before making a choice. Are free eBooks of good quality? Yes, many reputable platforms offer high-quality free eBooks, including classics and public domain works. However, make sure to verify the source to ensure the eBook credibility. Can I read eBooks without an eReader? Absolutely! Most eBook platforms offer web-based readers or mobile apps that allow you to read eBooks on your computer, tablet, or smartphone. How do I avoid digital eye strain while reading eBooks? To prevent digital eye strain, take regular breaks, adjust the font size and background color, and ensure proper lighting while reading eBooks. What the advantage of interactive eBooks? Interactive eBooks incorporate multimedia elements, quizzes, and activities, enhancing the reader engagement and providing a more immersive learning experience. Trek Speedometer Manual is one of the best book in our library for free trial. We provide copy of Trek Speedometer Manual in digital format, so the resources that you find are reliable. There are also many Ebooks of related with Trek Speedometer Manual. Where to download Trek Speedometer Manual online for free? Are you looking for Trek Speedometer Manual PDF? This is definitely going to save you time and cash in something you should think about.

Find Trek Speedometer Manual :

yamaha 350 ypvs manual

yamaha cy50 jog full service repair manual 1991 2000

[yamaha 1200 service manual](#)

[yamaha 1990 1998 phazer phazer ii 2 service manual snowmobile](#)

[yamaha breeze quad 125 workshop manual](#)

yale pallet jack parts manual maintenance

[yamaha 2 stroke 25 hp manual](#)

[yale forklift 3 ton manual](#)

xperia z tablet user guide

yamaha 175txry outboard service repair maintenance manual factory

yamaha 1990 pro v 150 owners manual

yamaha 2015 v max parts manual

yamaha atv 2002 yfm660fp service repair manual

yamaha bb5000 bb 5000 complete service manual

[yamaha 40hp 6h4 service manual](#)

Trek Speedometer Manual :

[personal wellness final exam flashcards quizlet](#) - Jul 14 2023

web according to the acsm 30 minutes of moderate intensity exercise on 5 or more days a week 20 25 minutes of vigorous intensity exercise on 3 or more days a week healthy

cumulative exam 92 flashcards quizlet - Aug 15 2023

web participating regularly in physical activity leads to increased attendance in school while simultaneously leading to a decreased attention span which aspect of our lives do we

[quiz can you pass the health and wellness exam proprofs](#) - Feb 26 2022

web mar 21 2023 false correct answer a true explanation the media has a significant impact on teenagers due to its pervasive presence and influence teenagers are

answers for personal wellness cumulative exam - Jul 02 2022

web may 22 2023 answers for personal wellness cumulative exam nclex rn exam registerednursing org kathleen laurenzo at florida state college at jacksonville

personal health wellness chapter exam study com - Nov 06 2022

web test and improve your knowledge of personal health wellness with fun multiple choice exams you can take online with study com

[personal fitness cumulative exam quizlet usfitnessfinder com](#) - Jan 28 2022

web posted 5 days ago webjul 27 2023 personal fitness cumulative exam 98 please enter something find essay personal fitness cumulative exam 98 jul 27th

download free answers for personal wellness cumulative - Sep 04 2022

web mar 21 2023 hundreds times for their chosen readings like this answers for personal wellness cumulative exam but end up in malicious downloads rather than reading a

answers for personal wellness cumulative exam pdf download - Oct 05 2022

web answers for personal wellness cumulative exam pdf upload jason e grant 1 3 downloaded from voto uncal edu br on august 19 2023 by jason e grant answers for

answers for personal wellness cumulative exam jetpack theaoi - Mar 30 2022

web answers for personal wellness cumulative exam a t still university s mph prepares graduates for professional leadership

with instant access to more than 700 colleges and

[health cumulative exam flashcards flashcards quizlet](#) - Jun 13 2023

web skeletal muscles which are made of fibers nerves and blood vessels contract in order to make the body move if you can complete more than 20 repetitions over three sets with

answers for personal wellness cumulative exam - Dec 07 2022

web aug 13 2023 answers for personal wellness cumulative exam frequently asked questions barrett the honors college well the new york times the best online

answers for personal wellness cumulative exam pdf - Dec 27 2021

web mar 24 2023 wellness cumulative exam as one of the most on the go sellers here will no question be in the middle of the best options to review an invitation to health taking

[wellness final exam study guide flashcards quizlet](#) - May 12 2023

web study with quizlet and memorize flashcards containing terms like social wellness emotional wellness physical wellness and more

answers for personal wellness cumulative exam uniport edu - Jun 01 2022

web jun 6 2023 ebook answers for personal wellness cumulative exam collections that we have this is why you remain in the best website to look the amazing ebook to have

[answers for personal wellness cumulative exam](#) - Nov 25 2021

web answers for personal wellness cumulative exam answers for personal wellness cumulative exam boc candidates the best online master s in psychology programs

answers for personal wellness cumulative exam pdf pdf - Feb 09 2023

web answers for personal wellness cumulative exam pdf introduction answers for personal wellness cumulative exam pdf pdf equine assisted mental health

answers for personal wellness cumulative exam - Jan 08 2023

web may 2nd 2018 the itil foundation exam study guide 3rd edition pdf free download as pdf file pdf text file txt or read online for free frequently asked questions barrett the

answers for personal wellness cumulative exam mintxx top - Oct 25 2021

web answers for personal wellness cumulative exam exams nasm essentials of sports performance training may 3rd 2018 nasm opt training is a huge bene t it has a

foundations of personal wellness el2082 edgenuity inc - Aug 03 2022

web foundations of personal wellness el2082 course overview and syllabus course number el2082 assessments including

quizzes tests and cumulative exams

[answers for personal wellness cumulative exam home of](#) - Sep 23 2021

web answers for personal wellness cumulative exam answers for personal wellness cumulative exam well the new york times frequently asked questions barrett the

download solutions answers for personal wellness cumulative - Mar 10 2023

web mar 26 2023 merely said the answers for personal wellness cumulative exam pdf is universally compatible considering any devices to read a feasibility analysis of the

[answers for personal wellness cumulative exam jetpack theaoi](#) - Apr 30 2022

web answers for personal wellness cumulative exam jetpack theaoi com keywords academic information pennsylvania highlands community nclex rn exam

answers for personal wellness cumulative exam pdf full pdf - Apr 11 2023

web may 14 2023 countless ebook answers for personal wellness cumulative exam and collections to check out we additionally offer variant types and also type of the books to

topic sentences how do you write a great one grammarly - Jul 20 2022

web jun 2 2022 first topic sentences string together paragraphs in a way that progresses nicely and facilitates reading moving from one paragraph to another can feel jarring and abrupt so topic sentences help maintain the flow of the overall piece of writing and readers focus as a result moreover topic sentences also preview what the reader

[paragraph hamburger reading rockets](#) - Oct 03 2023

web the paragraph hamburger is a writing organizer that visually outlines the key components of a paragraph topic sentence detail sentences and a closing sentence are the main elements of a good paragraph and

paragraph structure graphic organizers enchanted learning - Jun 30 2023

web topic sentence this sentence outlines the main idea that will be presented in the paragraph support details or examples this is the part of the paragraph that presents details facts examples quotes and arguments that support the main idea

conclusion sentence this sentence summarizes the main idea of the paragraph

main idea and supporting details graphic organizers - Sep 21 2022

web this graphic organizer will help your students identify the main idea and supporting facts in three paragraphs it s subjects reading reading comprehension literature download add to favorites graphic organizers spider map

main idea graphic organizer main ideas and supporting details - Apr 28 2023

web with this main idea tree students will create an outline that allows them to better understand the different parts of a five paragraph essay students will be asked to write their introduction a main idea three topic sentences three supporting details

for each topic sentence and a conclusion

results for topic sentence details conclusion graphic organizer - Mar 28 2023

web this graphic organizer will help students identify the important elements of an essay main idea supporting details topic sentences introduction conclusion and attention grabber using the handout students can read an essay maybe even a student example and then chart out the elements

single paragraph graphic organizer bucks county community college - Mar 16 2022

web topic sentence main idea supporting details concluding sentence bccc tutoring center

printable graphic organizers super teacher worksheets - Aug 01 2023

web printable graphic organizers help your students organize their writing with venn diagrams story maps and more your kids can use the writing webs chronological order charts to improve the organization of their writing writing a paragraph hamburger paragraph writing version 1 free use the hamburger organizer to design the perfect

[basic paragraph graphic organizer landmark outreach](#) - Oct 23 2022

web 1 underline your topic sentence 2 number your 3 supporting detail sentences 3 circle the transitional words or phrases used there should be at least two 4 highlight one adjective in each supporting detail sentence 5 put brackets around any sentences that you think may be faulty in some way 6 underline your concluding sentence

topic sentence and paragraph organization - Feb 24 2023

web the principal features to consider in paragraph organization are the topic sentence and controlling idea supporting details organizational patterns and signal words together these features develop a topic and connect ideas from

topic sentence details graphic organizer teaching resources - Sep 02 2023

web these graphic organizers have space for a topic sentence star ideas supporting details evidence and a conclusion sentence included are two versions of the outline one with room for two star ideas and one with room for three these work well with the step up to writing program and can be used for any expository writing activity

10 graphic organizers for summary writing literacy in focus - Feb 12 2022

web apr 11 2019 the five sentence summary graphic organizer will work for fiction or nonfiction text each portion of the template moves students through the content of the text students begin with the topic or main idea record three important details or facts and finish with the wrap up or resolution

[graphic organizer topic sentences teaching resources tpt](#) - Jan 26 2023

web google apps use these main idea and supporting details mystery bags graphic organizers and literacy centers to teach how to identify the main topic and retell key details of a text

main idea and details graphic organizer examples edrawmax - Jun 18 2022

web the main idea and details graphic organizer help students reinforce their reading skills by visualizing the connection between the main idea and details for any new lesson or topic here we will see some examples of main idea graphic organizers

research paper graphic organizer loudoun county public schools - May 18 2022

web include a thesis in sentence form in your introduction and restate it in your conclusion include topic sentences and transition concluding sentences for each body paragraph each paragraph s supporting details must have citations

main idea and supporting details activity sentence sort graphic - Dec 25 2022

web your students will sort sentences from a paragraph on a graphic organizer template why this activity helps these activities are meant to solidify your students understanding of main idea and details because they require students to use higher order thinking skills to determine the main idea

graphic organizer topic sentence teaching resources tpt - May 30 2023

web teach students how to write a paragraph using visual displays and organizers students will learn how to identify topic sentences supporting details and concluding sentences you will find parts of a paragraph generating ideas using autobiographical and biographical details descriptive expository narrative opinion and procedural paragraphs

informational writing graphic organizer worksheet - Nov 23 2022

web informational writing graphic organizer young writers will review the basic structure of an informative essay including the topic sentence supporting details and a conclusion as they complete this graphic organizer

main idea graphic organizer including supporting details - Apr 16 2022

web students will be asked to write their introduction a main idea three topic sentences three supporting details for each topic sentence and a conclusion this is great practice that can be used both at home and in the classroom ideal for 3rd 4th grade but can be used where appropriate

main idea supporting ideas graphic organizer printouts - Aug 21 2022

web a simple diagram for writing a basic paragraph with a topic sentence three support details and a conclusion sentence printouts useful for persuasive arguments persuasion chart printout

clues a journal of detection vol 34 no 1 spring 2 pdf - Nov 08 2022

web clues a journal of detection vol 34 no 1 spring 2 2 downloaded from donate pfi org on 2023 01 20 by guest century s most important translators of dante while focusing on her

clues a journal of detection vol 34 no 1 spring 2 pdf - Sep 06 2022

web sep 15 2023 clues a journal of detection vol 34 no 1 spring 2016 janice m allan 2016 09 19 for over two decades clues has included the best scholarship on mystery

[clues a journal of detection researchgate](#) - Mar 12 2023

web clues a journal of detection published by mcfarland and company inc publishers online issn 1940 3046

clues a journal of detection vol 34 no 1 spring 2 pdf - Oct 27 2021

clues a journal of detection vol 34 no 1 spring 2 getasteria - Nov 27 2021

web aug 15 2023 fictions to scientific research in any way along with them is this clues a journal of detection vol 34 no 1 spring 2 that can be your partner the journal of

clues a journal of detection vol 34 no 1 spring 2016 - Jun 15 2023

web clues a journal of detection vol 34 no 1 spring 2016 ebook written by janice m allan elizabeth foxwell read this book using google play books app on your pc

[clues a journal of detection vol 34 no 1 spring 2 pdf](#) - Aug 05 2022

web clues a journal of detection vol 34 no 1 spring 2 clues a journal of detection vol 34 no 1 spring 2 2 downloaded from donate pfi org on 2021 12 09 by guest technical

[clues a journal of detection vol 34 no 1 spring 2 nasa](#) - Jul 04 2022

web clues a journal of detection vol 34 no 1 spring 2 clues a journal of detection vol 34 no 1 spring 2 1 downloaded from old restorativejustice org on 2022 05 09 by guest

clues a journal of detection vol 34 no 1 spring 2 dotnbm - May 02 2022

web 1 clues a journal of detection vol 34 no 1 spring 2 clues a journal of detection vol 39 no 1 spring 2021 apr 18 2023 for over two decades clues has included the

clues a journal of detection vol 34 no 1 spring 2016 - May 14 2023

web for over two decades clues has included the best scholarship on mystery and detective fiction with a combination of academic essays and nonfiction book reviews it covers all

clues a journal of detection vol 34 no 2 fall 2016 - Dec 29 2021

web clues a journal of detection vol 38 no 2 fall 2020 ian rankin clues a journal of detection vol 40 no 2 fall 2022 clues a journal of detection vol 36 no 2 fall

[clues a journal of detection vol 34 no 1 spring 2016](#) - Jan 10 2023

web sep 19 2016 amazon com clues a journal of detection vol 34 no 1 spring 2016 ebook allan janice m kindle store

clues a journal of detection vol 34 no 1 spring 2 gina - Feb 28 2022

web as the only american scholarly journal on mystery fiction clues is essential reading for literature and film students and researchers popular culture aficionados librarians

[pdf clues a journal of detection vol 34 no 1 spring 2](#) - Apr 01 2022

web detection vol 34 no 1 spring 2 it is no question easy then before currently we extend the join to buy and create bargains to download and install clues a journal of detection

[clues a journal of detection vol 34 no 1 spring 2 joseph l](#) - Oct 07 2022

web jul 23 2023 clues a journal of detection vol 34 no 1 spring 2 but end up in infectious downloads rather than reading a good book with a cup of coffee in the afternoon

clues a journal of detection vol 34 no 1 spring 2 national - Jan 30 2022

web sep 20 2016 clues a journal of detection vol 34 no 2 fall 2016 editor elizabeth foxwell contributors janice m allan margaret kinsman publisher mcfarland 2016

clues a journal of detection google sites - Sep 18 2023

web the journal is now in its 34th volume year with janice allan university of salford uk as executive editor and elizabeth foxwell the catholic university of america as managing

[clues a journal of detection vol 34 no 1 spring](#) - Apr 13 2023

web clues a journal of detection vol 34 no 1 spring 2016 executive editor janice m allan 1110060000341

clues mcfarland - Aug 17 2023

web clues rss feed learn about the latest clues content subscribe in an rss feed reader with a combination of academic essays and nonfiction book reviews clues offers the

[clues a journal of detection vol 34 no 1 spring 2 national](#) - Jun 03 2022

web clues a journal of detection vol 40 no 1 spring 2022 clues a journal of detection vol 39 no 2 fall 2021 howdunit a masterclass in crime writing by

[clues a journal of detection vol 34 no 1](#) - Feb 11 2023

web sep 19 2016 for over two decades clues has included the best scholarship on mystery and detective fiction with a combination of academic essays and nonfiction book

clues a journal of detection vol 34 no 1 spring 2016 - Dec 09 2022

web feb 25 2023 kindly say the clues a journal of detection vol 34 no 1 spring 2 is universally compatible with any devices to read clues a journal of detection vol 39

clues a journal of detection google sites - Jul 16 2023

web 7 30 2021 call for proposals borders and detective fiction theme issue of clues a journal of detection 3 22 2021 clues 39 1 domestic noir 8 27 2020 clues 38 2