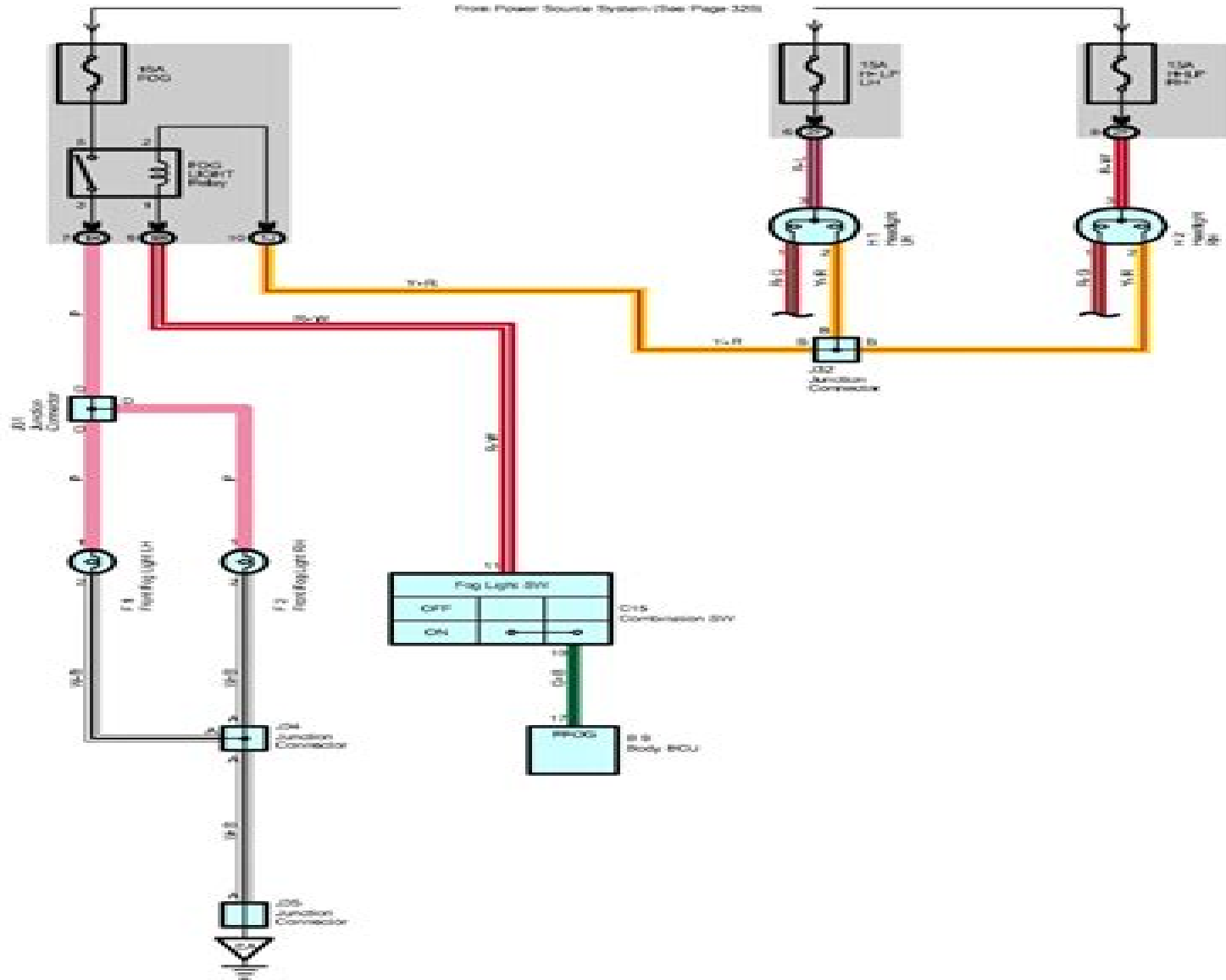


Fog Light without DRL (Double Cab)



Toyota Tundra Manual Part For Headlight Wiring

Max Haynes, Mike Stubblefield



Toyota Tundra Manual Part For Headlight Wiring:

Toyota Tundra & Sequoia Automotive Repair Manual Mike Stubblefield, John Harold Haynes, 2003-02-01 Every Haynes manual is based on a complete teardown and rebuild contains hundreds of hands on photos tied to step by step instructions and is thorough enough to help anyone from a do it your selfer to a professional **Toyota Tundra and Sequoia Automotive Repair Manual** Max Haynes, Mike Stubblefield, 2009 Haynes offers the best coverage for cars trucks vans SUVs and motorcycles on the market today Each manual contains easy to follow step by step instructions linked to hundreds of photographs and illustrations Included in every manual troubleshooting section to help identify specific problems tips that give valuable short cuts to make the job easier and eliminate the need for special tools notes cautions and warnings for the home mechanic color spark plug diagnosis and an easy to use index *Chilton's Toyota Tundra & Sequoia 2007-12 Repair Manual* Jeff Killingsworth, 2013 Total Car Car is the most complete step by step automotive repair manual you ll ever use All repair procedures are supported by detailed specifications exploded views and photographs Here are just a few of the items in this manual that make your repair jobs easier Expand index to quickly locate information Wiring diagrams Diagnostic charts Troubleshooting charts A glossary to identify those unfamiliar terms Cover p 4 *Toyota Tundra & Sequoia* Editors of Haynes Manuals, 2013-09-15 With a Haynes manual you can do it yourself from simple maintenance to basic repairs Haynes writes every book based on a complete teardown of the vehicle We learn the best ways to do a job and that makes it quicker easier and cheaper for you Our books have clear instructions and hundreds of photographs that show each step Whether you re a beginner or a pro you can save big with Haynes Step by step procedures Easy to follow photos Complete troubleshooting section Valuable short cuts Color spark plug diagnosis Complete coverage for your 2007 thru 2012 Toyota Tundra and 2008 thru 2012 Toyota Sequoia 2WD and 4WD Routine Maintenance Tune up procedures Engine repair Cooling and heating Air Conditioning Fuel and exhaust Emissions control Ignition Brakes Suspension and steering Electrical systems Wiring diagrams *Toyota Tundra and Sequoia Automotive Repair Manual* Mike Stubblefield, 2003-04-01 Manual offers do it yourselfers of all levels TOTAL maintenance service and repair information in an easy to use format **Toyota Tundra (2000 thru 2006) & Sequoia (2000-2007)** John Haynes, 2010-09-01 Haynes manuals are written specifically for the do it yourselfer yet are complete enough to be used by professional mechanics Since 1960 Haynes has produced manuals written from hands on experience based on a vehicle teardown with hundreds of photos and illustrations making Haynes the world leader in automotive repair information **Toyota Tundra (2007 thru 2014) & Sequoia (2008 thru 2014)** Editors of Haynes Manuals, 2015-09-28 Complete coverage for your 2007 thru 2014 Toyota Tundra and 2008 thru 2014 Toyota Sequoia 2WD and 4WD Routine maintenance Tune up procedures Engine repair Cooling and heating Air conditioning Fuel and exhaust Emissions control Ignition Brakes Suspension and steering Electrical systems Wiring diagrams With a Haynes manual you can do it yourself from simple maintenance to basic repairs Haynes writes every book based on a complete

teardown of the vehicle We learn the best ways to do a job and that makes it quicker easier and cheaper for you Our books have clear instructions and hundreds of photographs that show each step Whether you re a beginner or a pro you can save big with Haynes Step by step procedures Easy to follow photos Complete troubleshooting section Valuable short cuts Color spark plug diagnosis

2018 Toyota Tundra Owner Manual Compatible with OEM Owners Manual, Factory Glovebox Book Helming,2018-08-27 Toyota Tundra (2007 thru 2019) and Sequoia (2008 thru 2019) Editors of Haynes Manuals,2019-11-26 With a Haynes manual you can do it yourself from simple maintenance to basic repairs Haynes writes every book based on a complete teardown of the vehicle where we learn the best ways to do a job and that makes it quicker easier and cheaper for you Haynes books have clear instructions and hundreds of photographs that show each step Whether you are a beginner or a pro you can save big with a Haynes manual This manual features complete coverage for your Toyota Tundra 2007 through 2019 and Sequoia 2008 through 2019 covering Routine maintenance Tune up procedures Engine repair Cooling and heating Air conditioning Fuel and exhaust Emissions control Ignition Brakes Suspension and steering Electrical systems and Wring diagrams

2017 Toyota Tundra Owner Manual Compatible with OEM Owners Manual, Factory Glovebox Book Helming,2017-04-28 *2012 Toyota Tundra Owner Manual Compatible with OEM Owners Manual, Factory Glovebox Book* Helming,2012-03-28

Whispering the Techniques of Language: An Emotional Journey through **Toyota Tundra Manual Part For Headlight Wiring**

In a digitally-driven world where screens reign supreme and quick communication drowns out the subtleties of language, the profound secrets and mental subtleties concealed within phrases usually go unheard. However, situated within the pages of **Toyota Tundra Manual Part For Headlight Wiring** a interesting literary prize sporting with natural emotions, lies an extraordinary journey waiting to be undertaken. Composed by an experienced wordsmith, that charming opus encourages viewers on an introspective trip, delicately unraveling the veiled truths and profound affect resonating within the fabric of each and every word. Within the mental depths with this poignant evaluation, we can embark upon a heartfelt exploration of the book is key themes, dissect their interesting publishing type, and yield to the powerful resonance it evokes serious within the recesses of readers hearts.

<https://ftp.barnabastoday.com/data/Resources/default.aspx/Yu%20Gi%20Oh%20Tcg%20Duel%20Masters%20Guide.pdf>

Table of Contents Toyota Tundra Manual Part For Headlight Wiring

1. Understanding the eBook Toyota Tundra Manual Part For Headlight Wiring
 - The Rise of Digital Reading Toyota Tundra Manual Part For Headlight Wiring
 - Advantages of eBooks Over Traditional Books
2. Identifying Toyota Tundra Manual Part For Headlight Wiring
 - Exploring Different Genres
 - Considering Fiction vs. Non-Fiction
 - Determining Your Reading Goals
3. Choosing the Right eBook Platform
 - Popular eBook Platforms
 - Features to Look for in an Toyota Tundra Manual Part For Headlight Wiring
 - User-Friendly Interface
4. Exploring eBook Recommendations from Toyota Tundra Manual Part For Headlight Wiring

- Personalized Recommendations
 - Toyota Tundra Manual Part For Headlight Wiring User Reviews and Ratings
 - Toyota Tundra Manual Part For Headlight Wiring and Bestseller Lists
5. Accessing Toyota Tundra Manual Part For Headlight Wiring Free and Paid eBooks
 - Toyota Tundra Manual Part For Headlight Wiring Public Domain eBooks
 - Toyota Tundra Manual Part For Headlight Wiring eBook Subscription Services
 - Toyota Tundra Manual Part For Headlight Wiring Budget-Friendly Options
 6. Navigating Toyota Tundra Manual Part For Headlight Wiring eBook Formats
 - ePub, PDF, MOBI, and More
 - Toyota Tundra Manual Part For Headlight Wiring Compatibility with Devices
 - Toyota Tundra Manual Part For Headlight Wiring Enhanced eBook Features
 7. Enhancing Your Reading Experience
 - Adjustable Fonts and Text Sizes of Toyota Tundra Manual Part For Headlight Wiring
 - Highlighting and Note-Taking Toyota Tundra Manual Part For Headlight Wiring
 - Interactive Elements Toyota Tundra Manual Part For Headlight Wiring
 8. Staying Engaged with Toyota Tundra Manual Part For Headlight Wiring
 - Joining Online Reading Communities
 - Participating in Virtual Book Clubs
 - Following Authors and Publishers Toyota Tundra Manual Part For Headlight Wiring
 9. Balancing eBooks and Physical Books Toyota Tundra Manual Part For Headlight Wiring
 - Benefits of a Digital Library
 - Creating a Diverse Reading Collection Toyota Tundra Manual Part For Headlight Wiring
 10. Overcoming Reading Challenges
 - Dealing with Digital Eye Strain
 - Minimizing Distractions
 - Managing Screen Time
 11. Cultivating a Reading Routine Toyota Tundra Manual Part For Headlight Wiring
 - Setting Reading Goals Toyota Tundra Manual Part For Headlight Wiring
 - Carving Out Dedicated Reading Time
 12. Sourcing Reliable Information of Toyota Tundra Manual Part For Headlight Wiring

- Fact-Checking eBook Content of Toyota Tundra Manual Part For Headlight Wiring
 - Distinguishing Credible Sources
13. Promoting Lifelong Learning
- Utilizing eBooks for Skill Development
 - Exploring Educational eBooks
14. Embracing eBook Trends
- Integration of Multimedia Elements
 - Interactive and Gamified eBooks

Toyota Tundra Manual Part For Headlight Wiring Introduction

In the digital age, access to information has become easier than ever before. The ability to download Toyota Tundra Manual Part For Headlight Wiring has revolutionized the way we consume written content. Whether you are a student looking for course material, an avid reader searching for your next favorite book, or a professional seeking research papers, the option to download Toyota Tundra Manual Part For Headlight Wiring has opened up a world of possibilities. Downloading Toyota Tundra Manual Part For Headlight Wiring provides numerous advantages over physical copies of books and documents. Firstly, it is incredibly convenient. Gone are the days of carrying around heavy textbooks or bulky folders filled with papers. With the click of a button, you can gain immediate access to valuable resources on any device. This convenience allows for efficient studying, researching, and reading on the go. Moreover, the cost-effective nature of downloading Toyota Tundra Manual Part For Headlight Wiring has democratized knowledge. Traditional books and academic journals can be expensive, making it difficult for individuals with limited financial resources to access information. By offering free PDF downloads, publishers and authors are enabling a wider audience to benefit from their work. This inclusivity promotes equal opportunities for learning and personal growth. There are numerous websites and platforms where individuals can download Toyota Tundra Manual Part For Headlight Wiring. These websites range from academic databases offering research papers and journals to online libraries with an expansive collection of books from various genres. Many authors and publishers also upload their work to specific websites, granting readers access to their content without any charge. These platforms not only provide access to existing literature but also serve as an excellent platform for undiscovered authors to share their work with the world. However, it is essential to be cautious while downloading Toyota Tundra Manual Part For Headlight Wiring. Some websites may offer pirated or illegally obtained copies of copyrighted material. Engaging in such activities not only violates copyright laws but also undermines the efforts of authors, publishers, and researchers. To ensure ethical downloading, it is advisable to utilize reputable websites that prioritize the legal distribution of content. When downloading Toyota Tundra

Manual Part For Headlight Wiring, users should also consider the potential security risks associated with online platforms. Malicious actors may exploit vulnerabilities in unprotected websites to distribute malware or steal personal information. To protect themselves, individuals should ensure their devices have reliable antivirus software installed and validate the legitimacy of the websites they are downloading from. In conclusion, the ability to download Toyota Tundra Manual Part For Headlight Wiring has transformed the way we access information. With the convenience, cost-effectiveness, and accessibility it offers, free PDF downloads have become a popular choice for students, researchers, and book lovers worldwide. However, it is crucial to engage in ethical downloading practices and prioritize personal security when utilizing online platforms. By doing so, individuals can make the most of the vast array of free PDF resources available and embark on a journey of continuous learning and intellectual growth.

FAQs About Toyota Tundra Manual Part For Headlight Wiring Books

How do I know which eBook platform is the best for me? Finding the best eBook platform depends on your reading preferences and device compatibility. Research different platforms, read user reviews, and explore their features before making a choice. Are free eBooks of good quality? Yes, many reputable platforms offer high-quality free eBooks, including classics and public domain works. However, make sure to verify the source to ensure the eBook credibility. Can I read eBooks without an eReader? Absolutely! Most eBook platforms offer web-based readers or mobile apps that allow you to read eBooks on your computer, tablet, or smartphone. How do I avoid digital eye strain while reading eBooks? To prevent digital eye strain, take regular breaks, adjust the font size and background color, and ensure proper lighting while reading eBooks. What the advantage of interactive eBooks? Interactive eBooks incorporate multimedia elements, quizzes, and activities, enhancing the reader engagement and providing a more immersive learning experience. Toyota Tundra Manual Part For Headlight Wiring is one of the best book in our library for free trial. We provide copy of Toyota Tundra Manual Part For Headlight Wiring in digital format, so the resources that you find are reliable. There are also many Ebooks of related with Toyota Tundra Manual Part For Headlight Wiring. Where to download Toyota Tundra Manual Part For Headlight Wiring online for free? Are you looking for Toyota Tundra Manual Part For Headlight Wiring PDF? This is definitely going to save you time and cash in something you should think about.

Find Toyota Tundra Manual Part For Headlight Wiring :

yu gi oh tcg duel masters guide

~~zauberflte und honigtopf erotische mrchen band i ii~~

your favorite foods part 2 and greek recipes 2 book combo clean eats

~~zambia 2014 grade12 time table~~

~~your intercultural marriage a guide to a healthy happy relationship~~

~~zen mountain monastery liturgy manual~~

young persons occupational outlook handbook 7th ed

you cant win unless an investigative look at the game of blackjack

~~zd30 manual~~

~~your organization what is it for challenging traditional organizational aims~~

~~yucatns magic mrida side trips treasures of mayab~~

your body sesame street elmos world slide & learn flash cards

~~your home is a learning place~~

~~yz 250 2015 workshop manual~~

~~younger than jesus artist directory paperback~~

Toyota Tundra Manual Part For Headlight Wiring :

~~your guide to forest bathing forestry england - Dec 25 2022~~

web forest bathing is an ancient japanese process of relaxation know in japan as shinrin yoku the simple method of being calm and quiet amongst the trees observing nature around you whilst breathing deeply can help both adults and children de stress and boost health and wellbeing in a natural way

what i learnt from my forest bathing experience honeycombers - Jun 30 2023

web jul 21 2021 forest bathing is mostly about how it helps to improve our physical and mental wellbeing whereas forest therapy is all that plus looking into our relationship with the environment space and nature youmin explains

~~forest bathing in singapore walk slowly connect deeply c3a - Jan 26 2023~~

web mar 30 2021 as it turns out you do not necessarily need a forest to go nature bathing ms yap has conducted forest bathing sessions online where participants do not venture far from their homes instead they might try to connect with a tree outside their window or even an orange from their fridge

what is forest bathing live science - Mar 28 2023

web jun 28 2022 forest bathing or shinrin yoku in japanese means to soak in the forest through all of your senses in practice forest bathing can be a slow mindful walk in nature where you pay close

forest bathing in singapore walk slowly connect deeply - Feb 24 2023

web mar 30 2021 forest bathing which is what i m here to do is a decades old japanese practice where people soak in the atmosphere of the forest its sights sounds textures smells and tastes

[gentle walks forest bathing singapore immersive nature](#) - Oct 03 2023

web forest bathing is provides immense benefits to human health and is a pathway to remember our connections to the natural world take gentle walks and explore the enchanting forests of singapore

everything you need to know about forest bathing in singapore - Aug 01 2023

web may 24 2022 what are the benefits of forest bathing as forest bathing is a practice focused on one s relationship with nature the benefits range depending from person to person the most commonly reported benefits of forest bathing tend to be a sense of relaxation and deeper connection to self as well as reduced stress and improved sleep

the science of forest bathing 5 ways it can boost health and - Apr 28 2023

web aug 24 2023 not only is forest bathing a magical way to explore nature decades of research has shown that it s good for your health it can boost your immune system lower blood pressure and help with

forest bathing what it is and benefits treehugger - May 30 2023

web dec 9 2022 forest bathing is a sensory practice where you bathe your senses with natural stimulation from the forest or other nature setting the idea of shinrin yoku originated in japan in 1982 the

forest bathing what it is and where to do it national geographic - Sep 02 2023

web oct 18 2019 forest bathing is not just for the wilderness lover the practice can be as simple as walking in any natural environment and consciously connecting with what s around you for a more structured

read free global history guided activity 22 answers free - Jun 18 2023

web sep 20 2023 global history guided activity 22 answers and numerous book collections from fictions to scientific research in any way in the course of them is this global history guided

[global history guided activity 22 answers pdf uniport edu](#) - Jul 19 2023

web may 10 2023 following this one merely said the global history guided activity 22 answers is universally compatible similar to any devices to read investigation of illegal or improper activities in connection with 1996 federal election campaigns 1999 following foucault howard richards 2018 02 28 this book e offers prospective

global history study guide and assessment bundle 22 topics - Sep 09 2022

web included is 22 in depth study guides for the various topics in global history after 1500 ce it can be used a resource for educators as the information is well organized and can easily be transitioned to a powerpoint or slide show if needed

[august 22 2022 world history guild](#) - Jun 06 2022

web aug 22 2022 what we did today hello so close yet so far eq how do you apply geography skills to the world around you essential skills hs g 1 2 use geospatial tools and related technologies to construct relevant geographic data to explain spatial patterns and relationships

[global history guided activity 22 answers download only](#) - Apr 16 2023

web it is your utterly own mature to behave reviewing habit in the course of guides you could enjoy now is global history guided activity 22 answers below global history guided activity 22 answers 2022 06 21

[chapter 22 global history flashcards and study sets quizlet](#) - Feb 14 2023

web learn chapter 22 global history with free interactive flashcards choose from 5 000 different sets of chapter 22 global history flashcards on quizlet

glencoe world history answers world history pdf pdfprof com - Nov 11 2022

web aug 17 2001 read pdf world history guided activity answer may 9 2022 a bill becomes a law glencoe world history develop ment of the cold war study guide chapter guided reading activ ity 7 2 answers us

world history guided activity answers unit 5 - Jul 07 2022

web world history guided activity answers unit 5 june 22nd 2018 an exploration of the nature and history of capitalism global capitalism colonies and third world economic realities middle east news the jerusalem post june 24th 2018 middle east latest news breaking news on isis the iranian threat palestinians israeli cooperation with arab

[world history and geography 2nd edition solutions and answers quizlet](#) - Jan 13 2023

web exercise 1 exercise 2 exercise 3 exercise 4 exercise 5 exercise 6 chapter 2 the spread of civilization section 2 1 the rise of egypt section 2 2 peoples in the eastern mediterranean section 2 3 the indus valley ciivilization section 2 4 the rise of china section 2 5 civilizations in the americas page 44 chapter assessment exercise 1

global history guided activity 22 answers full pdf - Sep 21 2023

web within the pages of global history guided activity 22 answers a mesmerizing literary creation penned by way of a celebrated wordsmith readers attempt an enlightening odyssey unraveling the intricate significance of language and its enduring affect our lives

world history mrs levine s history classes - Aug 20 2023

web welcome to mrs levine s world history page here you will find resources for both standard and honors levels of classes including general and unit information as we journey through each unit over the course of this year information documents and power points from and relating to class will be added here for you to use

[world history project 1750 to the present khan academy](#) - Oct 10 2022

web whp 1750 to the present starts in you guessed it 1750 and extends to the present why start a course in 1750 we answer

this question in the first unit of the course and then do a deep dive on revolutions imperialism and globalization all from a global or world history perspective the course is designed for high school students

world history questions and answers homework study com - May 17 2023

web 2 000 000 65 000 quizzes world history questions and answers world history questions and answers test your understanding with practice problems and step by step solutions browse

global history guided activity 22 answers forums usc edu - Dec 12 2022

web oct 7 2016 book global history guided activity 22 answers moreover it is not right away done you could believe even more nearly this life nearly the world you could rapidly fetch this global history guided activity 22 answers after receiving discount thank you for obtaining global history guided activity 22 answers

global history guided activity 22 answers - Aug 08 2022

web without difficulty as fetch handbook global history guided activity 22 answers global history guided activity 22 answers is available in our novel gathering an online access to it

history for august 22 on this day com - Mar 03 2022

web on this day com daily historical facts and events celebrity birthdays united states history world history music history and quote of the day august 22 today s 1485 the war of the roses ended with the death of england s king richard iii he was killed in the battle of bosworth field his successor was henry v ii

hhs world history geo a 21 22 google sites - Apr 04 2022

web welcome to your instruction 2 0 website this site will help you better understand your edgenuity lessons look for your current unit and lesson on the course outline below don t forget that the navigation bar on the top left will also take you to your lessons as well

what happened on august 22 on this day - May 05 2022

web august 22 1540 first geneva convention major european powers sign the first ever geneva convention august 22 1864 weekly quiz for august 19 25 test your knowledge of historical events and famous people in our weekly history quiz for august 19 25 then challenge your friends

global history guided activity 22 answers secure4 khronos - Mar 15 2023

web this global history guided activity 22 answers as one of the greater part working sellers here will completely be associated with by the best alternatives to review our virtual repository hosts in many places granting you to get the least latency time to download any of our books

global history guided activity 22 answers - Feb 02 2022

web jun 20 2023 without difficulty as retrieve guide global history guided activity 22 answers recognizing the overstatement

ways to obtain this ebook global history guided activity 22 answers is in addition valuable if you enterprise to obtain and deploy the global history guided activity 22 answers it is totally basic then now we extend the

you will be able to draw by the end of this book ink - Apr 20 2023

web jun 6 2017 not your ordinary art book you will be able to draw by the end of this book is a combined tutorial and sketchbook that not only teaches you the fundamental

you will be able to draw by the end of this book - Feb 18 2023

web oct 3 2019 slightly misleading title you won t be able to draw by the end of the book just by reading it you must practice too in all seriousness though it s an excellent book i

you will be able to draw by the end of this book coloured pencils - Sep 01 2021

you will be able to draw by the end of this book paperback - Sep 13 2022

web you will be able to draw by the end of this book coloured pencils spicer jake amazon com tr

you will be able to draw by the end of this book paperback - Apr 08 2022

you will be able to draw by the end of this book softcover - Jan 05 2022

you will be able to draw by the end of this book ink - Aug 12 2022

web sep 25 2023 mps returned to westminster earlier this month but are now back in recess for the party conferences over the next few weeks all party leaders are preparing to

buy you will be able to draw by the end of this - Jun 10 2022

you will be able to draw by the end of this book - Nov 15 2022

web dec 28 2022 you will be able to draw by the end of this book by spicer jake isbn 10 1781578273 isbn 13 9781781578278 illex publications llc 2017 softcover

you will be able to draw by the end of this book - May 09 2022

politics latest sunak warned against abandoning north with hs2 - Oct 02 2021

you will be able to draw by the end of this book ink - May 21 2023

web jun 6 2017 jake spicer you will be able to draw by the end of this book paperback june 6 2017 by jake spicer author 4 3

1 044 ratings part of you will be able to draw

you will be able to draw by the end of this book paperback - Mar 07 2022

you will be able to draw by the end of this book - Jul 23 2023

web oct 3 2019 in you will be able to draw by the end of this book ink bestselling author artist and drawing tutor jake spicer is like an ever present companion who will guide

you will be able to draw by the end of this book - Aug 24 2023

web part instruction manual and part sketchbook this handy book is perfect for anyone hoping to improve their drawing skills you will be able to draw by the end of this book is

you will be able to draw by the end of this book royal academy - Jun 22 2023

web you will be able to draw by the end of this book coloured pencils is a combined tutorial and sketchbook that teaches you how to draw in colour and allows you the space to

you will be able to draw faces by the end of this book - Dec 04 2021

you will be able to draw faces by the end of this book - Feb 06 2022

you will be able to draw by the end of this book - Jul 11 2022

web nov 6 2018 you will be able to draw by the end of this book colored pencil s is a combined tutorial and sketchbook that teaches you how to draw in color and allows you

you will be able to draw by the end of this book - Jan 17 2023

web apr 11 2017 not your ordinary art book you will be able to draw by the end of this book is a combined tutorial and sketchbook that not only teaches you the fundamental

you will be able to draw faces by the end of this book - Oct 14 2022

web aug 7 2018 this book is for anybody who wants to become confident in drawing faces whether you are a complete novice or a more experienced artist from basic facial

you will be able to draw by the end of this book - Dec 16 2022

web not your ordinary art book you will be able to draw by the end of this book is a combined tutorial and sketchbook that not only teaches you the fundamental steps

you will be able to draw by the end of this book ink - Mar 19 2023

web discover the endless possibilities of ink whether you are using a nib pen brush biro or marker this interactive book

teaches you how to draw in line wash and colour and
you will be able to draw by the end of this book coloured - Nov 03 2021