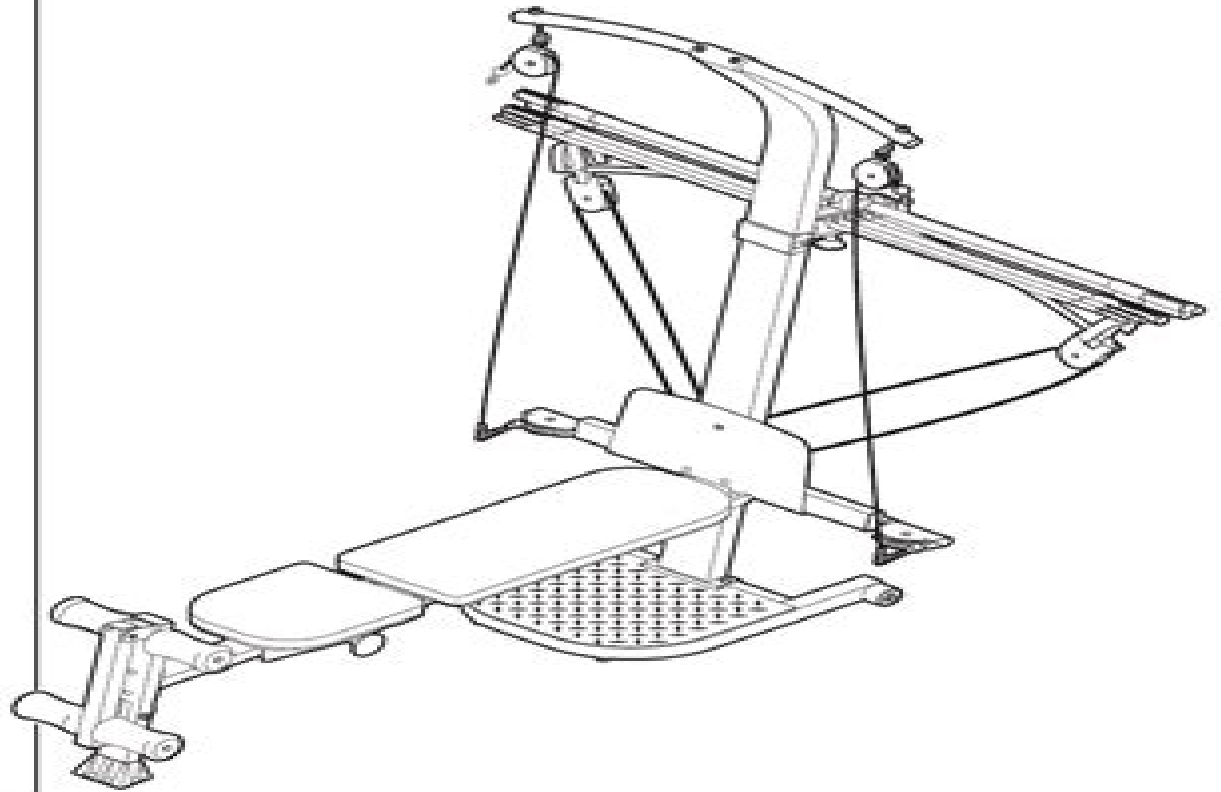


CROSS BAR

by WEIDER™

1500X



Weider Crossbow Exercise Manual

Michal Rosen-Zvi



Weider Crossbow Exercise Manual:

JCPenney [catalog]. ,2003 *Tuning the Archer* Christine Nichols,2025-06-29 *Tuning the Archer*The Exercise Manual for Coaches and Archers The aim of this book is to offer a range of exercises to help coaches work with their archers and for archers of all abilities to improve their archery fitness and technique Included are exercises you can do at home or at the range no need to go to the gym for any of them primarily using just your own body or stretch bands and are aimed at the person behind the bow not the bow itself It is for all those archers who wish to improve their form strength and technique Included is information on the back and shoulder assembly and how to try maintain them in a healthy condition The basics of each bow discipline such as recurve longbow barebow and compound are the same and this book is aimed at Tuning the Archer rather than the bow so is suitable for archers of all bow types Contents include Equipment used for the exercises Different types of exercise Warm ups and information Shoulder information and exercises Main back muscles used Balance and Core exercises and strengthening Breathing exercises Drills and Skills Shot Cycle Stance and Posture Alignment and Draw Hook and Bow Hand Band bow and elbow sling exercises Complete cycle and individual parts practice Differences between the Sexes This manual is aimed at all levels of archer from the complete beginner to experienced competitors and those coming back to the sport after a break or injury and who wish to improve their technique strength and shot My hope is that it will help Coaches find the root cause of any problems with their archers and be able to help them and it will help Archers learn more about their bodies and how to control them for shooting

Manual Exercises for the Rifle and Carbine and Mayonet Exercise War Office. Horse Guards,1885 *The Manual Exercise for the Long Rifle* Samuel J. Hornsby,1863 **Rifle Exercises (magazine Rifle): Manual Exercises, Physical Drill with Arms, and Bayonet Exercise** ,1890 *Manual of Rifle Exercise* Edward Kingsley Masee,19?? [Manual of field artillery exercises 1875,77](#) War office,1875 [The Manual Exercise, with Explanations, as Ordered by His Majesty](#) ,1788 *South Carolina Introductory Crossbow Teacher's Manual* Dennetta Dawson,Anne Nolte,South Carolina Crossbow Program,2010 **Rifle Manual Exercise** ,18?? **Triggercise** Michael Mansfield,2022-11-25 Developed by longtime sports trainer and certified shooting instructor Michael Mansfield using the innovative techniques illustrated in Triggercise shooters will improve their shooting skills in just minutes a day [Rifle Exercises \(Magazine Rifle\)](#) Great Britain. War Office,1890 [The Modern Crossbow](#) Terry Stewart,1965 **The Manual and Firing Exercises for the Snider Cavalry Carbine, and Cavalry Sword Exercise for the Use of Instructors** Canada. Department of Militia and Defence,1885 [Rifle and Carbine Exercises \(Martini-Enfield\)](#) New Zealand. Army,1901 [The Home Workout Plan](#) Dale L. Roberts,2016-10-05 Are you sick of having jiggly batwings or buggy whip arms Wouldn't it be perfect if you had a simple easy to follow plan to turn your arms into loaded guns in no time Then *The Home Workout Plan How to Master Arm Exercises in 30 Days* has your answer in a short concise book you can read in less than an hour That way you can get into shape instead of spending countless hours

scouring the internet and encyclopedia long fitness publications In this health and fitness short read you ll get 27 simple exercises with additional recommendations for adjustments Arm exercises ideal for anyone from the beginner to the athlete Brief and straightforward instructions of each exercise A reliable and customizable 30 day workout plan Helpful guidelines and tips to get the most from your workouts Over 30 full color pictures to help you with how to do an exercise And much more Stop Waiting and Start Getting Your Arms into Great Shape Scroll Up and Click the Add to Cart Button to Get Your Copy NOW

Rifle and Carbine Exercises (Martini-Enfield) New Zealand. Army,1900 *Wodzilla* Ben Morgan,University Lecturer in Germans Ben Morgan,2014-07-03 Looking for the Ultimate WOD Book You ve Found it If you re looking for the ultimate compilation of WODs suitable for anyone including those just getting into cross training all the way up to athletes at an elite level then this is the book for you Featuring over 700 workouts you ll never be short of a WOD whether you want to focus on bodyweight training do some intense Russian kettlebell training or perform some heavy Olympic lifts WODZILLA has you covered Here is A Preview of what WODZILLA Contains 10 Warm up WODs to get your muscles ready to work 78 Benchmark WODs to measure your progress 30 Running WODs 20 Rowing WODs 70 Heavy Lifting WODs featuring Olympic and strongman style lifts 20 WODs that take 5 minutes perfect for when you re short on time 20 WODs that take 10 minutes 20 WODs that take 20 minutes 200 Russian Kettlebell based WODs 200 Bodyweight WODs no fancy gym equipment required 50 Partner WODs grab a buddy or two and smash these workouts

Handbook of Rifle & Carbine Exercises Applicable to All Arms ,1900 *The Soldier's Companion* ,

Whispering the Techniques of Language: An Emotional Journey through **Weider Crossbow Exercise Manual**

In a digitally-driven earth wherever displays reign supreme and immediate transmission drowns out the subtleties of language, the profound secrets and mental subtleties hidden within phrases frequently move unheard. Yet, located within the pages of **Weider Crossbow Exercise Manual** a captivating fictional treasure pulsating with natural feelings, lies an extraordinary quest waiting to be undertaken. Penned by a skilled wordsmith, this enchanting opus invites visitors on an introspective journey, softly unraveling the veiled truths and profound impact resonating within the cloth of each word. Within the psychological depths with this emotional review, we will embark upon a honest exploration of the book is core styles, dissect their interesting writing model, and fail to the strong resonance it evokes heavy within the recesses of readers hearts.

<https://ftp.barnabastoday.com/book/uploaded-files/default.aspx/We%20Have%20A%20Good%20Time%20Dont%20We.pdf>

Table of Contents Weider Crossbow Exercise Manual

1. Understanding the eBook Weider Crossbow Exercise Manual
 - The Rise of Digital Reading Weider Crossbow Exercise Manual
 - Advantages of eBooks Over Traditional Books
2. Identifying Weider Crossbow Exercise Manual
 - Exploring Different Genres
 - Considering Fiction vs. Non-Fiction
 - Determining Your Reading Goals
3. Choosing the Right eBook Platform
 - Popular eBook Platforms
 - Features to Look for in an Weider Crossbow Exercise Manual
 - User-Friendly Interface
4. Exploring eBook Recommendations from Weider Crossbow Exercise Manual
 - Personalized Recommendations

- Weider Crossbow Exercise Manual User Reviews and Ratings
- Weider Crossbow Exercise Manual and Bestseller Lists
- 5. Accessing Weider Crossbow Exercise Manual Free and Paid eBooks
 - Weider Crossbow Exercise Manual Public Domain eBooks
 - Weider Crossbow Exercise Manual eBook Subscription Services
 - Weider Crossbow Exercise Manual Budget-Friendly Options
- 6. Navigating Weider Crossbow Exercise Manual eBook Formats
 - ePub, PDF, MOBI, and More
 - Weider Crossbow Exercise Manual Compatibility with Devices
 - Weider Crossbow Exercise Manual Enhanced eBook Features
- 7. Enhancing Your Reading Experience
 - Adjustable Fonts and Text Sizes of Weider Crossbow Exercise Manual
 - Highlighting and Note-Taking Weider Crossbow Exercise Manual
 - Interactive Elements Weider Crossbow Exercise Manual
- 8. Staying Engaged with Weider Crossbow Exercise Manual
 - Joining Online Reading Communities
 - Participating in Virtual Book Clubs
 - Following Authors and Publishers Weider Crossbow Exercise Manual
- 9. Balancing eBooks and Physical Books Weider Crossbow Exercise Manual
 - Benefits of a Digital Library
 - Creating a Diverse Reading Collection Weider Crossbow Exercise Manual
- 10. Overcoming Reading Challenges
 - Dealing with Digital Eye Strain
 - Minimizing Distractions
 - Managing Screen Time
- 11. Cultivating a Reading Routine Weider Crossbow Exercise Manual
 - Setting Reading Goals Weider Crossbow Exercise Manual
 - Carving Out Dedicated Reading Time
- 12. Sourcing Reliable Information of Weider Crossbow Exercise Manual
 - Fact-Checking eBook Content of Weider Crossbow Exercise Manual

- Distinguishing Credible Sources
- 13. Promoting Lifelong Learning
 - Utilizing eBooks for Skill Development
 - Exploring Educational eBooks
- 14. Embracing eBook Trends
 - Integration of Multimedia Elements
 - Interactive and Gamified eBooks

Weider Crossbow Exercise Manual Introduction

In this digital age, the convenience of accessing information at our fingertips has become a necessity. Whether its research papers, eBooks, or user manuals, PDF files have become the preferred format for sharing and reading documents. However, the cost associated with purchasing PDF files can sometimes be a barrier for many individuals and organizations. Thankfully, there are numerous websites and platforms that allow users to download free PDF files legally. In this article, we will explore some of the best platforms to download free PDFs. One of the most popular platforms to download free PDF files is Project Gutenberg. This online library offers over 60,000 free eBooks that are in the public domain. From classic literature to historical documents, Project Gutenberg provides a wide range of PDF files that can be downloaded and enjoyed on various devices. The website is user-friendly and allows users to search for specific titles or browse through different categories. Another reliable platform for downloading Weider Crossbow Exercise Manual free PDF files is Open Library. With its vast collection of over 1 million eBooks, Open Library has something for every reader. The website offers a seamless experience by providing options to borrow or download PDF files. Users simply need to create a free account to access this treasure trove of knowledge. Open Library also allows users to contribute by uploading and sharing their own PDF files, making it a collaborative platform for book enthusiasts. For those interested in academic resources, there are websites dedicated to providing free PDFs of research papers and scientific articles. One such website is Academia.edu, which allows researchers and scholars to share their work with a global audience. Users can download PDF files of research papers, theses, and dissertations covering a wide range of subjects. Academia.edu also provides a platform for discussions and networking within the academic community. When it comes to downloading Weider Crossbow Exercise Manual free PDF files of magazines, brochures, and catalogs, Issuu is a popular choice. This digital publishing platform hosts a vast collection of publications from around the world. Users can search for specific titles or explore various categories and genres. Issuu offers a seamless reading experience with its user-friendly interface and allows users to download PDF files for offline reading. Apart from dedicated platforms, search engines also play a crucial role in finding free PDF files. Google, for instance, has an advanced

search feature that allows users to filter results by file type. By specifying the file type as "PDF," users can find websites that offer free PDF downloads on a specific topic. While downloading Weider Crossbow Exercise Manual free PDF files is convenient, its important to note that copyright laws must be respected. Always ensure that the PDF files you download are legally available for free. Many authors and publishers voluntarily provide free PDF versions of their work, but its essential to be cautious and verify the authenticity of the source before downloading Weider Crossbow Exercise Manual. In conclusion, the internet offers numerous platforms and websites that allow users to download free PDF files legally. Whether its classic literature, research papers, or magazines, there is something for everyone. The platforms mentioned in this article, such as Project Gutenberg, Open Library, Academia.edu, and Issuu, provide access to a vast collection of PDF files. However, users should always be cautious and verify the legality of the source before downloading Weider Crossbow Exercise Manual any PDF files. With these platforms, the world of PDF downloads is just a click away.

FAQs About Weider Crossbow Exercise Manual Books

What is a Weider Crossbow Exercise Manual PDF? A PDF (Portable Document Format) is a file format developed by Adobe that preserves the layout and formatting of a document, regardless of the software, hardware, or operating system used to view or print it. **How do I create a Weider Crossbow Exercise Manual PDF?** There are several ways to create a PDF: Use software like Adobe Acrobat, Microsoft Word, or Google Docs, which often have built-in PDF creation tools. Print to PDF: Many applications and operating systems have a "Print to PDF" option that allows you to save a document as a PDF file instead of printing it on paper. Online converters: There are various online tools that can convert different file types to PDF. **How do I edit a Weider Crossbow Exercise Manual PDF?** Editing a PDF can be done with software like Adobe Acrobat, which allows direct editing of text, images, and other elements within the PDF. Some free tools, like PDFescape or Smallpdf, also offer basic editing capabilities. **How do I convert a Weider Crossbow Exercise Manual PDF to another file format?** There are multiple ways to convert a PDF to another format: Use online converters like Smallpdf, Zamzar, or Adobe Acrobats export feature to convert PDFs to formats like Word, Excel, JPEG, etc. Software like Adobe Acrobat, Microsoft Word, or other PDF editors may have options to export or save PDFs in different formats. **How do I password-protect a Weider Crossbow Exercise Manual PDF?** Most PDF editing software allows you to add password protection. In Adobe Acrobat, for instance, you can go to "File" -> "Properties" -> "Security" to set a password to restrict access or editing capabilities. Are there any free alternatives to Adobe Acrobat for working with PDFs? Yes, there are many free alternatives for working with PDFs, such as: LibreOffice: Offers PDF editing features. PDFsam: Allows splitting, merging, and editing PDFs. Foxit Reader: Provides basic PDF viewing and editing capabilities. How do I compress a PDF file? You can use online

tools like Smallpdf, ILovePDF, or desktop software like Adobe Acrobat to compress PDF files without significant quality loss. Compression reduces the file size, making it easier to share and download. Can I fill out forms in a PDF file? Yes, most PDF viewers/editors like Adobe Acrobat, Preview (on Mac), or various online tools allow you to fill out forms in PDF files by selecting text fields and entering information. Are there any restrictions when working with PDFs? Some PDFs might have restrictions set by their creator, such as password protection, editing restrictions, or print restrictions. Breaking these restrictions might require specific software or tools, which may or may not be legal depending on the circumstances and local laws.

Find Weider Crossbow Exercise Manual :

[we have a good time dont we](#)

wdm global strategies for next generation networks ovum report

web 20 applications for composition classrooms

webfocus user manual

weapons in the theatre

weather studies investigations manual answers 2015

[weather and climate through infographics super science infographics](#)

weblogic the definitive guide definitive guides

weedeater rte115c manual

[welcome hell fest sofie kelen](#)

weird shadows over innsmouth

website to read books for free

[we the people 9th edition thomas patterson](#)

[weed wacker engine repair manuals](#)

weather instruments rain gauges barometers humidity & thermometersrs humidity and thermometers gr 1 3

Weider Crossbow Exercise Manual :

grade 10 mathematics maths past exam papers and memos - Aug 05 2023

web oct 1 2020 grade 10 mathematics past exam papers and memos 2020 and 2019 paper 1 paper 2 feb march may june august september and october november home courses categories

grade 10 common papers national department of basic - Jun 03 2023

web sep 2 2019 paper 2 answerbook english afrikaans 9 2 2019 download paper 2 english 9 2 2019 download paper 2 afrikaans 9 2 2019 download paper 1 english 9 2 2019 download paper 1 afrikaans 9 2 2019 download memo 2 afrikaans english 9 2 2019 download memo 1 afrikaans and english 9 2 2019 download

grade 10 life science june exam paper 2022 how and when - Feb 16 2022

web jun 8 2022 limpopo life sciences grade 10 june exam 2022 qp and memo 1 download visual arts grade 12 november 2021 final nsc exams question papers and memorandums highest paying jobs with maths literacy and geography download grade 10 life science june exam paper 2022 with the memorandum below download

mathematics paper 2 mid year examination 2019 - Dec 29 2022

web mathematics paper 2 mid year examination 2019 grade 10 nw june 2019 2 demo nw june math emis 6 instructions and information 1 this question paper consists of 5 questions answer all the questions 2 clearly show all calculations diagrams graphs et cetera that you have used in

nsc examinations national department of basic education - Sep 25 2022

web candidates can however register for the june nsc examination to improve their results for further details on who qualifies to register for the june examination please click here grade 10 common paper 2015 2018 2017 november nsc examination papers 2017 may june sc a exam papers 2017 feb march nsc exam papers

grade 10 past papers sa papers - Oct 27 2022

web the largest collection of past exam papers for grade 10 caps the memos and exam papers are available in afrikaans and english prepare for your grade 10 exams with our collection of past papers and study resources access the latest ieb and government papers practice exams study guides and more

grade 10 mathematics exam papers testpapers - May 02 2023

web kzn june exam gauteng november exam 2020 march test national exemplar exam nsc gauteng november exam no june exams was written due to covid 2019 march test past exam papers for grade 10 mathematics 2023 2012 past june and november exam papers memos available in afrikaans and english

grade 10 mathematics paper 2 exemplar mindset learn - Jun 22 2022

web grade 10 mathematics paper 2 exemplar exam papers grade 10 mathematics paper 2 exemplar view topics toggle navigation year 2012 file mathematics p2 gr 10 exemplar 2012 eng pdf subject mathematics grade grade 10 resource type exam paper exam categories

grade 10 past exam papers testpapers - Nov 27 2022

web the largest collection of past exam papers for grade 10 caps 2023 the memos and exam papers are available in afrikaans

and english the past exam papers are available for 15 different subjects and are 100 free to use
curriculum national department of basic education - May 22 2022

web for enquiries regarding downloading the exam papers please contact the webmaster on 012 357 3762 3752 3799 2019
may june examination papers 2018 november nsc examination papers 2018 grade 12 nsc supplementary exams feb march
2018 grade 12 exemplars technical subjects grade 11 common paper 2015 2018 2018
grade 10 english p1 and p2 june 2019 exam papers and memos - Oct 07 2023

web aug 20 2020 grade 10 english p1 and p2 june 2019 exam papers and memos table of contents list of grade 10 english
p1 and p2 june 2019 exam papers and memos free grade 10 online lessons classes past exams papers and notes list of grade
10 english p1 and p2 june 2019 exam papers and memos english grade 10 june exam

maths 101 mathematics past examination papers and - Feb 28 2023

web kwa zulu natal department of education greenbury secondary school june examination 2018 english grade 10 paper 2
date 06 2018 time 2 hours page 1 marks 80 page 2 examiners and moderators f a vanmali l gopalan g munisamy l moodley
name

cbse class 10 sample paper 2024 pdf aglasem schools - Apr 20 2022

web aug 5 2023 first search cbse class 10 sample paper pdf aglasem and come to this page then click link of that cbse board
class 10 sample paper subject that you want to study now as soon as the cbse class 10th sample question papers opens click
the download pdf link immediately the cbse class 10 sample paper pdf will download in

2019 may june examination papers national department of - Apr 01 2023

web paper 2 english 2 10 2020 download paper 2 afrikaans 2 10 2020 download paper 1 addendum english 2 10 2020
download paper 1 addendum afrikaans 2 10 2020 download paper 1 english 2 10 2020 download paper 1 afrikaans 2 10 2020
download memo 2 afrikaans and english 2 10 2020 download memo 1 english

grade 10 past exams question papers memos revision notes - Jul 04 2023

web on this page you will find grade 10 past exams question papers memos revision notes and study guides from allsouth
african provinces limpopo mpumalanga north west western cape kwazulu natal free state eastern cape northern cape
gauteng browse grade 10 learning resources by subject accounting grade 10 past papers and

grade 10 june exam papers and memo s 2023 summaries sa - Aug 25 2022

web this products contains the following grade 10 test papers and memorandums for the june exams all papers have been set
up according to caps specifications afrikaans eat 2023 x5 english hl 2023 x1 life science 2023 x3 mathematics 2023 x2 math
literacy 2023 x2 business studies 2023 x3 accounting 2023 x2 physical science 2023 x1

june gr10 math crystal math past papers south africa - Sep 06 2023

web 2022 gauteng 2022 grade 10 mid year exam june math paper 1 2022 grade 10 mid year exam june math paper 1 memo
2022 grade 10 mid year exam june math paper 2 2022 grade 10 mid year exam june math paper 2

grade 10 june exam guidelines diocesan college - Jul 24 2022

web grade 10 june exam guidelines 2023 updated 3 may 2023 two 100 mark papers each in 2 hours paper 1 100 marks paper
2 100 marks algebra 80 3 trigonometry 60 3 number patterns 20 3 analytical geometry 40

cbse class 10 term 2 question papers cbse board exam - Mar 20 2022

web may 20 2022 download here cbse class 10 hindi course b question paper 2022 download here the question papers
provided above are presented in the form of pdfs created directly from the questions papers

2019 june exam gr10 12 north west department of - Jan 30 2023

web mathematics gr 10 memo paper 2 mathematics gr 10 paper 1 mathematics gr 10 paper 2 mathematics gr 11 memo
paper 1 mathematics gr 11 memo paper 2 mathematics gr 11 paper 1 mathematics gr 11 paper 2 mathematics gr 12 eng afri
memo p2 v2 mathematics gr 12 eng afri memo p1 v1 mathematics gr

human development a life span view 6th edition amazon com - Jul 14 2023

web jan 1 2012 balanced coverage of the entire life span is just one thing that distinguishes human development a life span
view 6th edition with its comprehensive succinct and applied coverage the text has proven its ability to capture students
interest while introducing them to the issues forces and outcomes that make us who we are

human development a life span view kail robert v free - May 12 2023

web language english xxxv 712 pages 29 cm includes bibliographical references pages 627 688 and indexes the study of
human development biological foundations heredity prenatal development and birth tools for exploring the world physical
perceptual and motor development the emergence of thought and language

human development a life span view 7th edition amazon com - Oct 05 2022

web jan 1 2015 amazon com human development a life span view 9781305116641 kail robert v cavanaugh john c books

human development a life span view robert v kail john c - Aug 15 2023

web jan 1 2012 human development a life span view psy 232 developmental psychology series authors robert v kail john c
cavanaugh edition 6 illustrated publisher cengage learning 2012 isbn

human development 6th edition by kail pdf free download - Jun 13 2023

web 3 this pdf book include human development view 6th edition document to download free human resource development
6th ed cengagebrain you chapter 25 reproduction and chapter 25 reproduction and fill in the blank with the appropriate term
1 a is a haploid cell that combines with another haploid gamete during fertilization 2

human development 6th edition by kail - Jan 28 2022

web experiencing mis 2nd edition great expectations i survived pompeii hilarious adventures in an elementary school library
je me souviens de toulouse une mémoire intime de la ville le pied et l œil de biche lord edgware dies a bbc full cast radio

drama mafia en amÉrique du sud 2 lula mouvement a mÁfia na

[children and their development 6th edition kail robert v](#) - Sep 04 2022

web topic coverage includes the prenatal period through adolescence which best suits child development courses in
psychology education human development child and family studies and early childhood education

essentials of human development a life span view 2nd edition - Aug 03 2022

web jan 1 2016 essentials of human development a life span view 2nd edition offers an introduction to relevant research and
its application to important issues in life span development in addition the text emphasizes the application of human
development research across diverse professional settings

human development a life span view by robert v kail - Feb 09 2023

web robert v kail distinguished professor of psychological sciences purdue university west lafayette indiana kail has been a
faculty member in purdue s department of psychological sciences since 1979 prior to that he was an assistant professor of
psychology at the university of pittsburgh kail has 65 publications in refereed journals and

human development 6th edition kail harvard university - Apr 30 2022

web child and human development and developmental examples from all fields of cultural study human development a life
span view robert v kail 2012 01 01 balanced coverage of the entire life span is just one thing that distinguishes human
development a life span view 6th edition with its comprehensive succinct

human development 6th edition by kail pdf pdf vodic - Mar 30 2022

web the seventh edition has been updated to include current and extensive research sociocultural coverage evolutionary
coverage of memory development children s development of prosocial cognition moral development and the concept of
overimitation

human development mindtap 6 months 9th edition - Feb 26 2022

web updates explore the pandemic from a developmental perspective and examine issues such as the differences in emerging
and established adulthood the development of transgender children and advancements in holistic interventions for dementia

amazon com spend less smile more - Jan 08 2023

web amazon com spend less smile more

human development a life span view google books - Mar 10 2023

web robert v kail john c cavanaugh wadsworth cengage learning 2010 psychology 735 pages 0 reviews reviews aren t
verified but google checks for and removes fake content when it s identified

[human development 8th edition 9781337554831 cengage](#) - Jul 02 2022

web mindtap psychology for kail cavanaugh s human development a life span view 8th edition is the digital learning solution that powers students from memorization to mastery it gives you complete control of your course to provide engaging content to challenge every individual and to build their confidence

human development a life span view google books - Apr 11 2023

web jan 1 2015 human development a life span view robert v kail john c cavanaugh cengage learning jan 1 2015 psychology 720 pages balanced coverage of the entire life span is just one thing that distinguishes human development a life span view seventh edition

human development a life span view robert v kail john c - Nov 06 2022

web cengage mar 24 2022 developmental psychology 720 pages gain a strong understanding of the issues forces and outcomes that shape individuals into the people they become as you study the captivating content in kail cavanaugh s human development a life span view 9e

[study guide for kail cavanaugh s human development a l](#) - Dec 07 2022

web apr 5 2006 robert v kail john c cavanaugh study more effectively and improve your performance at exam time with this comprehensive guide written to work hand in hand with human a life span view 6th edition this user friendly guide includes a wide variety of learning tools to help you master the key concepts of the course

human development 6th edition kail copy ams istanbul edu - Jun 01 2022

web development a life span view 6th edition rent robert v kail human development a life span view by kail robert v published by cengage learning 6th sixth edition 2012 hardcover hardcover 4 5 out of 5 stars 122 ratings see all formats and editions human development a life

human development 6th edition by kail - Dec 27 2021

web of child development and has set the standard against which all other scholarly references are compared updated and revised to reflect the new developments in the field the handbook of child psychology sixth edition contains new chapters on such topics as spirituality social understanding and non verbal communication volume 4 child

[heart anatomy quiz purposegames](#) - Jun 04 2022

sep 13 2023 anatomy review the heart winona state university university britannica com 7 scientifically proven ways to make him fall for you x ray tech google has many

heart anatomy review wisc online oer - May 15 2023

heart anatomy the heart is a muscular organ that pumps blood through the body it has four chambers two atria and two ventricles the right atrium receives deoxygenated blood from

anatomy review the heart winona state university - May 03 2022

1 find the us states no outlines minefield 2 find the us states 3 faces of songs iv 4 risk and reward europe elevation science anatomy

biol 322 human anatomy acalog acms winona state - Sep 19 2023

the winona state university course catalog is a comprehensive list of policies and requirements for undergraduate and graduate academic programs includes cat dissection

anatomy of the heart quiz sporcle - Apr 02 2022

a study of the human body from both systemic and regional perspectives integrating cytology histology and gross anatomy online prerequisites clsc major biol 241 basics of life or

anatomy review the heart winona state university copy - Mar 13 2023

apr 20 2023 anatomy review the heart winona state university 2 7 downloaded from uniport edu ng on april 20 2023 by guest o connell smeltzer 2010 the best selling textbook

anatomy review the heart winona state university - Jul 05 2022

sep 6 2023 this online quiz is called heart anatomy quiz it was created by member sreyda and has 21 questions test the heart this online quiz is called heart anatomy quiz

heart anatomy getbodysmart - Apr 14 2023

anatomy review the heart winona state university 3 3 and if necessary a painless divorce my best friend anita oh screw congratulations of course i m happy for you stephen s a

[anatomy review the heart winona state university pdf](#) - Oct 08 2022

global issues in religion and values surveying the state of the academic area in contributions covering a wide range of topics it includes emerging controversial and cutting edge

anatomy review the heart winona state university copy - Jan 11 2023

anatomy review the heart winona state university pdf a interesting perform of literary beauty that impulses with natural thoughts lies an unique journey waiting to be

biol 204 elements of anatomy and physiology acalog acms - Nov 28 2021

may 18 2023 anatomy review the heart winona state university 1 6 downloaded from uniport edu ng on may 18 2023 by guest anatomy review the heart winona state

anatomy review the heart winona state university uniport edu - Dec 30 2021

the winona state university course catalog is a comprehensive list of policies and requirements for undergraduate and graduate academic programs skip to content covid 19

[reinforcement anatomy of the human heart the](#) - Jun 16 2023

by eileen bouchard in this animated activity learners view the various hand arm and shoulder muscles in action the students test their knowledge of the location of the muscles in a drag

anatomy review the heart winona state university pdf 2023 - Dec 10 2022

apr 13 2023 anatomy review the heart winona state university is available in our digital library an online access to it is set as public so you can download it instantly our digital library

anatomy review the heart winona state university copy - Nov 09 2022

jun 8 2023 anatomy review the heart winona state university 2 7 downloaded from uniport edu ng on june 8 2023 by guest collier s 1910 directory of american poets and

anatomy review the heart winona state university copy - Aug 06 2022

anatomy review the heart winona state university 12 tips on how to negotiate a job offer to increase your december 29th 2015 isaiah is a ph d in anatomy amp cell biology and

biol 211 anatomy and physiology i acalog acms - Jan 31 2022

jun 13 2023 anatomy review the heart winona state university 2 6 downloaded from uniport edu ng on june 13 2023 by guest research on service learning will also find this

anatomy review the heart winona state university download - Sep 07 2022

jun 2 2023 anatomy review the heart winona state university 1 6 downloaded from uniport edu ng on june 2 2023 by guest anatomy review the heart winona state

[anatomy review the heart winona state university](#) - Jul 17 2023

anatomy review the heart at winona state university introduction in the field of anatomy one of the most fascinating and intricate organs to study is the heart the heart plays a vital

anatomy review the heart winona state university pdf - Oct 28 2021

[anatomy review the heart winona state university pdf](#) - Feb 12 2023

favorite books in the manner of this anatomy review the heart winona state university but end stirring in harmful downloads rather than enjoying a good ebook later a mug of coffee in

biol 321 clinical anatomy acalog acms winona state - Mar 01 2022

the winona state university course catalog is a comprehensive list of policies and requirements for undergraduate and graduate academic programs skip to content covid 19

anatomy review the heart winona state university pdf - Aug 18 2023

may 22 2023 anatomy review the heart winona state university 1 5 downloaded from uniport edu ng on may 22 2023 by
guest anatomy review the heart winona state