



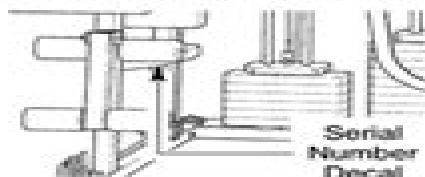
WEIDER[®] PRO 9940

Patent Pending

Model No. WESY97310

Serial No. _____

The serial number is found in the location shown below. Write the serial number in the space above.



QUESTIONS?

If you have questions, or if there are missing or damaged parts, we will guarantee complete satisfaction through direct assistance from our factory.

TO AVOID UNNECESSARY DELAYS, PLEASE CALL DIRECT TO OUR TOLL-FREE CUSTOMER HOT LINE. The trained technicians on our customer hot line will provide immediate assistance, free of charge to you.

CUSTOMER HOT LINE:

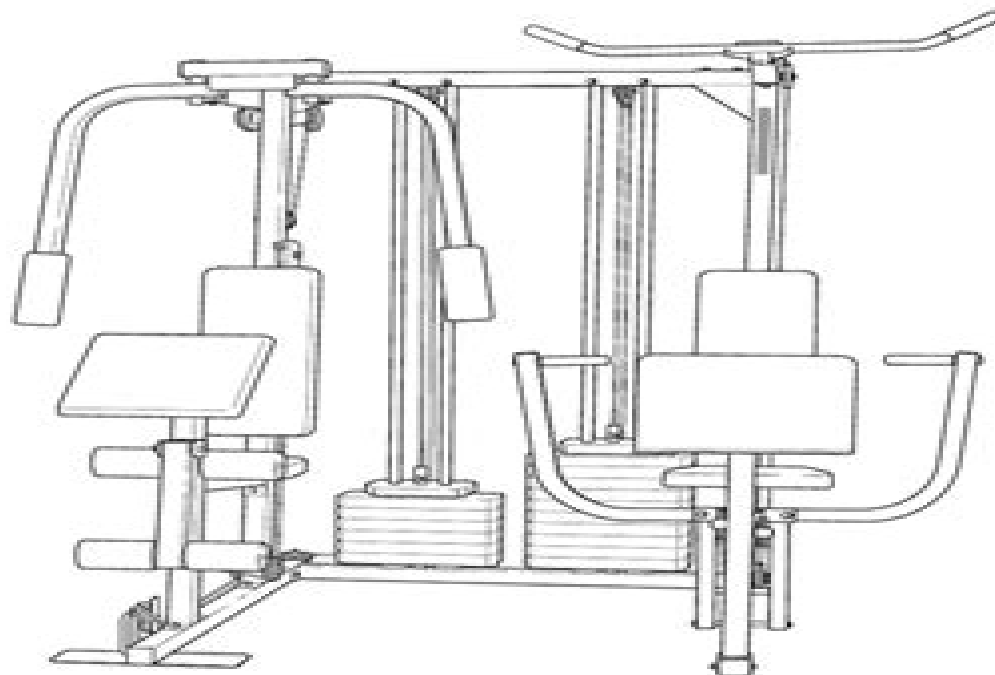
1-800-999-3756

Mon.-Fri., 6 a.m.-6 p.m. MST

⚠ CAUTION

Read all precautions and instructions in this manual before using this equipment. Save this manual for future reference.

USER'S MANUAL



Visit our website at

www.weiderfitness.com

new products, prizes,
fitness tips, and much more!

Weider Exercise Manuals

Mark Steyvers



Weider Exercise Manuals:

Argos catalogue 1989 -1990 old vintage book KCC, Argos catalogue 1989 1990 old vintage book **The Complete Guide to Strength Training Methods** Keven Arseneault,2023-03-24 Finally the strength training book you've been wishing for is here The Complete Guide to Strength Training Methods compiles more than 230 training techniques proven to increase strength power hypertrophy endurance flexibility and cardiovascular capacity Sport performance coach Keven Arseneault has spent over 20 years reading researching and testing various methods to determine the best training techniques In The Complete Guide to Strength Training Methods he assembles these into a comprehensive resource that allows you to add variety and get the most from your workouts Each method is presented on a single page that highlights the technique's advantages and disadvantages effects on different aspects of fitness and trainer tips The page also has a prescription table that includes intensity or load reps and sets This practical approach provides you with everything you need to incorporate the method into your program immediately Throughout you will find programming tips to help you create your own training plan to fit your individual needs The eight sample programs provided can be followed as is or used as a blueprint for personalized programs Whether you are a fitness enthusiast working out at home a serious gym goer an athlete or a strength or fitness professional The Complete Guide to Strength Training Methods is the comprehensive yet practical resource you need to keep your workouts fresh challenging and on point to reach your goals *Mergent Industrial Manual* ,2002 Joe Weider's Muscle and Fitness Training Notebook Muscle & Fitness,2004-02-01 Built to capitalise on the exciting new design of Muscle and Fitness this edition allows you to store each new Training Notebook pullout in a high quality printed binder This special Collector's Edition works with each new issue of the magazine Remove the M F pullout in each month's Training Notebook section and add it to this binder Your training library will continue to grow The Training Notebook Collector's Edition provides detailed instructions on doing each movement correctly for maximum effectiveness and safety Special tips let you customise each exercise for your individual goals whether you want wider shoulders or stronger legs Colour coded anatomy drawings show you the muscles in action with sports applications for each exercise listed **The Edge** Ben Weider,Joe Weider,Daniel Gastelu,2003 The founders of the modern fitness movement draw on the training secrets of the pros to reveal the Weider Triangle Method a program to promote peak performance through nutrition skill training and variable weight training Subject Catalog Library of Congress, Historic Manual of the Reformed Church in the United States Joseph Henry Dubbs,1885 Cosmopolitan ,1977 Library of Congress Catalogs Library of Congress,1983 Subject Guide to Books in Print ,2001 Aerobics Instructor Manual Richard Thomas Cotton,Robert Lewis Goldstein,1993 Suitable both for people setting out to be instructors and for seasoned professionals this resource provides a guide to the scientific instructional and professional knowledge required of group fitness instructors Chapters include exercise physiology fundamentals of anatomy biomechanics and applied kinesiology nutrition and weight control health screening fitness testing

and aerobic programming teaching an aerobic class special populations and health concerns exercise and pregnancy musculoskeletal injuries emergency procedures and legal and professional responsibilities *Complete Guide to Step Aerobics* Dawn Brown,1992 *Subject Catalog, 1982* Library of Congress,1982 *Family Health* ,1976 Medical Books and Serials in Print ,1984 **Medical and Health Care Books and Serials in Print** ,1997 **Mademoiselle** ,1976-07 **Guide to Microforms in Print** ,2002 Popular Mechanics ,1997-07 Popular Mechanics inspires instructs and influences readers to help them master the modern world Whether it s practical DIY home improvement tips gadgets and digital technology information on the newest cars or the latest breakthroughs in science PM is the ultimate guide to our high tech lifestyle **Paperbound Books in Print** ,1992

The Enigmatic Realm of **Weider Exercise Manuals**: Unleashing the Language is Inner Magic

In a fast-paced digital era where connections and knowledge intertwine, the enigmatic realm of language reveals its inherent magic. Its capacity to stir emotions, ignite contemplation, and catalyze profound transformations is nothing in short supply of extraordinary. Within the captivating pages of **Weider Exercise Manuals** a literary masterpiece penned with a renowned author, readers set about a transformative journey, unlocking the secrets and untapped potential embedded within each word. In this evaluation, we shall explore the book's core themes, assess its distinct writing style, and delve into its lasting effect on the hearts and minds of people who partake in its reading experience.

https://ftp.barnabastoday.com/data/virtual-library/fetch.php/To_Live_And_Think_Like_Pigs.pdf

Table of Contents Weider Exercise Manuals

1. Understanding the eBook Weider Exercise Manuals
 - The Rise of Digital Reading Weider Exercise Manuals
 - Advantages of eBooks Over Traditional Books
2. Identifying Weider Exercise Manuals
 - Exploring Different Genres
 - Considering Fiction vs. Non-Fiction
 - Determining Your Reading Goals
3. Choosing the Right eBook Platform
 - Popular eBook Platforms
 - Features to Look for in an Weider Exercise Manuals
 - User-Friendly Interface
4. Exploring eBook Recommendations from Weider Exercise Manuals
 - Personalized Recommendations
 - Weider Exercise Manuals User Reviews and Ratings
 - Weider Exercise Manuals and Bestseller Lists

5. Accessing Weider Exercise Manuals Free and Paid eBooks
 - Weider Exercise Manuals Public Domain eBooks
 - Weider Exercise Manuals eBook Subscription Services
 - Weider Exercise Manuals Budget-Friendly Options
6. Navigating Weider Exercise Manuals eBook Formats
 - ePub, PDF, MOBI, and More
 - Weider Exercise Manuals Compatibility with Devices
 - Weider Exercise Manuals Enhanced eBook Features
7. Enhancing Your Reading Experience
 - Adjustable Fonts and Text Sizes of Weider Exercise Manuals
 - Highlighting and Note-Taking Weider Exercise Manuals
 - Interactive Elements Weider Exercise Manuals
8. Staying Engaged with Weider Exercise Manuals
 - Joining Online Reading Communities
 - Participating in Virtual Book Clubs
 - Following Authors and Publishers Weider Exercise Manuals
9. Balancing eBooks and Physical Books Weider Exercise Manuals
 - Benefits of a Digital Library
 - Creating a Diverse Reading Collection Weider Exercise Manuals
10. Overcoming Reading Challenges
 - Dealing with Digital Eye Strain
 - Minimizing Distractions
 - Managing Screen Time
11. Cultivating a Reading Routine Weider Exercise Manuals
 - Setting Reading Goals Weider Exercise Manuals
 - Carving Out Dedicated Reading Time
12. Sourcing Reliable Information of Weider Exercise Manuals
 - Fact-Checking eBook Content of Weider Exercise Manuals
 - Distinguishing Credible Sources
13. Promoting Lifelong Learning

- Utilizing eBooks for Skill Development
 - Exploring Educational eBooks
14. Embracing eBook Trends
- Integration of Multimedia Elements
 - Interactive and Gamified eBooks

Weider Exercise Manuals Introduction

Free PDF Books and Manuals for Download: Unlocking Knowledge at Your Fingertips In today's fast-paced digital age, obtaining valuable knowledge has become easier than ever. Thanks to the internet, a vast array of books and manuals are now available for free download in PDF format. Whether you are a student, professional, or simply an avid reader, this treasure trove of downloadable resources offers a wealth of information, conveniently accessible anytime, anywhere. The advent of online libraries and platforms dedicated to sharing knowledge has revolutionized the way we consume information. No longer confined to physical libraries or bookstores, readers can now access an extensive collection of digital books and manuals with just a few clicks. These resources, available in PDF, Microsoft Word, and PowerPoint formats, cater to a wide range of interests, including literature, technology, science, history, and much more. One notable platform where you can explore and download free Weider Exercise Manuals PDF books and manuals is the internet's largest free library. Hosted online, this catalog compiles a vast assortment of documents, making it a veritable goldmine of knowledge. With its easy-to-use website interface and customizable PDF generator, this platform offers a user-friendly experience, allowing individuals to effortlessly navigate and access the information they seek. The availability of free PDF books and manuals on this platform demonstrates its commitment to democratizing education and empowering individuals with the tools needed to succeed in their chosen fields. It allows anyone, regardless of their background or financial limitations, to expand their horizons and gain insights from experts in various disciplines. One of the most significant advantages of downloading PDF books and manuals lies in their portability. Unlike physical copies, digital books can be stored and carried on a single device, such as a tablet or smartphone, saving valuable space and weight. This convenience makes it possible for readers to have their entire library at their fingertips, whether they are commuting, traveling, or simply enjoying a lazy afternoon at home. Additionally, digital files are easily searchable, enabling readers to locate specific information within seconds. With a few keystrokes, users can search for keywords, topics, or phrases, making research and finding relevant information a breeze. This efficiency saves time and effort, streamlining the learning process and allowing individuals to focus on extracting the information they need. Furthermore, the availability of free PDF books and manuals fosters a culture of continuous learning. By removing financial barriers, more people can access educational resources and pursue lifelong learning, contributing to personal

growth and professional development. This democratization of knowledge promotes intellectual curiosity and empowers individuals to become lifelong learners, promoting progress and innovation in various fields. It is worth noting that while accessing free Weider Exercise Manuals PDF books and manuals is convenient and cost-effective, it is vital to respect copyright laws and intellectual property rights. Platforms offering free downloads often operate within legal boundaries, ensuring that the materials they provide are either in the public domain or authorized for distribution. By adhering to copyright laws, users can enjoy the benefits of free access to knowledge while supporting the authors and publishers who make these resources available. In conclusion, the availability of Weider Exercise Manuals free PDF books and manuals for download has revolutionized the way we access and consume knowledge. With just a few clicks, individuals can explore a vast collection of resources across different disciplines, all free of charge. This accessibility empowers individuals to become lifelong learners, contributing to personal growth, professional development, and the advancement of society as a whole. So why not unlock a world of knowledge today? Start exploring the vast sea of free PDF books and manuals waiting to be discovered right at your fingertips.

FAQs About Weider Exercise Manuals Books

What is a Weider Exercise Manuals PDF? A PDF (Portable Document Format) is a file format developed by Adobe that preserves the layout and formatting of a document, regardless of the software, hardware, or operating system used to view or print it. **How do I create a Weider Exercise Manuals PDF?** There are several ways to create a PDF: Use software like Adobe Acrobat, Microsoft Word, or Google Docs, which often have built-in PDF creation tools. Print to PDF: Many applications and operating systems have a "Print to PDF" option that allows you to save a document as a PDF file instead of printing it on paper. Online converters: There are various online tools that can convert different file types to PDF. **How do I edit a Weider Exercise Manuals PDF?** Editing a PDF can be done with software like Adobe Acrobat, which allows direct editing of text, images, and other elements within the PDF. Some free tools, like PDFescape or Smallpdf, also offer basic editing capabilities. **How do I convert a Weider Exercise Manuals PDF to another file format?** There are multiple ways to convert a PDF to another format: Use online converters like Smallpdf, Zamzar, or Adobe Acrobats export feature to convert PDFs to formats like Word, Excel, JPEG, etc. Software like Adobe Acrobat, Microsoft Word, or other PDF editors may have options to export or save PDFs in different formats. **How do I password-protect a Weider Exercise Manuals PDF?** Most PDF editing software allows you to add password protection. In Adobe Acrobat, for instance, you can go to "File" -> "Properties" -> "Security" to set a password to restrict access or editing capabilities. Are there any free alternatives to Adobe Acrobat for working with PDFs? Yes, there are many free alternatives for working with PDFs, such as: LibreOffice: Offers

PDF editing features. PDFsam: Allows splitting, merging, and editing PDFs. Foxit Reader: Provides basic PDF viewing and editing capabilities. How do I compress a PDF file? You can use online tools like Smallpdf, ILovePDF, or desktop software like Adobe Acrobat to compress PDF files without significant quality loss. Compression reduces the file size, making it easier to share and download. Can I fill out forms in a PDF file? Yes, most PDF viewers/editors like Adobe Acrobat, Preview (on Mac), or various online tools allow you to fill out forms in PDF files by selecting text fields and entering information. Are there any restrictions when working with PDFs? Some PDFs might have restrictions set by their creator, such as password protection, editing restrictions, or print restrictions. Breaking these restrictions might require specific software or tools, which may or may not be legal depending on the circumstances and local laws.

Find Weider Exercise Manuals :

to live and think like pigs

[toestelspringen turnen](#)

tohatsu 25 hp service manual

[tkam activity packet answer key](#)

[tohatsu outboard engines 2 5hp 140hp service repair workshop manual instant 1992 2000](#)

tohatsu 30 hp 4 stroke parts manual

to kill a mockingbird perfection learning answers

tonutti parts manual

tokyo esp 05 hajime segawa

~~tmobile dart manual~~

to have and to hold let no man put asunder book 1

[to kill a mockingbird guide answer key](#)

tnpsc4 guide

~~toilet slave mistress~~

tmi mom getting lucky after kids volume 2

Weider Exercise Manuals :

mo 100 microsoft word office 2019 certifications - Feb 19 2022

web faq help exams exam mo 100 microsoft word office 2019 this exam covers the ability to create and maintain professional

looking reports multicolumn newsletters résumés and business correspondence candidates are expected to demonstrate the correct application of the principal features of word and complete tasks independently

microsoft mos word expert 2013 exam questions and answers - Apr 23 2022

web the actualcerts microsoft mos word expert 2013 practice exam is the ultimate in prep tools and can be complimented with a variety of other tools like lab microsoft mos word expert 2013 simulation questions interactive or static microsoft mos word expert 2013 study guide notes or the customizable microsoft mos word expert 2013 training

mos word 2013 exam practice test youtube - Jun 06 2023

web mos word 2013 exam practice test mike s office 24 9k subscribers subscribe 221k views 5 years ago mos exam video solutions this word practice will help you prepare for the microsoft

microsoft office specialist word 2013 certifications - Sep 28 2022

web jul 13 2023 faq help certifications microsoft office specialist word 2013 certification details warning the english version of this certification retired on july 13 2023 all microsoft office specialist mos 2013 certifications and exams in a given language will retire when the last mos 365 apps exam planned for that language is

earn a microsoft office specialist mos certification - Jan 01 2023

web microsoft onenote 2013 exam 421 other versions of microsoft office mos expert pass exams in word or excel to earn a microsoft office specialist expert certification

mos word 2013 mos 2013 pearsoncmg com - Jul 07 2023

web exam 77 427 microsoft excel 2013 expert part one and exam 77 428 microsoft excel 2013 expert part two see also for information about the tasks you are likely to be required to demonstrate in exam 77 420 microsoft excel 2013 see mos 2013 study guide for microsoft excel by joan lambert microsoft press 2013 who this book is for

mos word mos certifications microsoft office specialist - Jul 27 2022

web microsoft word microsoft 365 apps core document creation collaboration and communication download exam objectives microsoft word expert microsoft 365 apps creating documents for effective communication download exam objectives

microsoft word office 2019 download exam objectives microsoft word expert office 2019

practice microsoft office specialist certipoint - Aug 08 2023

web practice tests available for word microsoft 365 apps office 2019 mos 2016 mos 2013 word expert microsoft 365 apps office 2019 mos 2016 mos 2013 excel microsoft 365 apps office 2019 mos 2016 mos 2013 excel expert microsoft 365 apps office 2019 mos 2016 mos 2013 powerpoint microsoft 365 apps office 2019 mos 2016 mos

exam 77 418 microsoft word 2013 certifications - May 05 2023

web jul 13 2023 exam 77 418 microsoft word 2013 warning the english version of this exam retired on july 13 2023 all

microsoft office specialist mos 2013 exams in a given language will retire when the last mos 365 apps exam
microsoft office specialist certipoint - May 25 2022

web mos overview microsoft office specialist program are you an individual learner looking for learning materials practice tests or exam vouchers for use in the united states if so browse everything for microsoft office specialist on the certipoint store and learn how you can earn an industry recognized certification prove it
word 2013 expert parts 1 and 2 mos practice test - Nov 30 2022

web candidates for the microsoft word 2013 experts part 1 and 2 mos exam should have an advanced understanding of the word environment and the ability to guide others in the proper use of features in word 2013 microsoft recommends candidates know and can demonstrate the use of advanced and specialized features within the application
scoutautomatedprintcode pearsoncmg com - Jun 25 2022

web microsoft word expert exam mo 101 by paul mcfedries microsoft press 2020 who this book is for mos study guide for microsoft word exam mo 100 is designed for experienced computer users seeking microsoft office specialist certification in word 2019 or the equivalent version of word for office 365 mos exams for individual programs are
word 2013 77 418 practice exam testprep training - Aug 28 2022

web exam name word 2013 exam code 77 418 exam duration 90 mins exam format multiple choice and multi response questions exam type microsoft office 2013 suites number of questions 40 60 questions eligibility pre requisite nil exam fee 165 usd exam language english arabic simplified chinese traditional chinese german
mos exam microsoft word 2013 mos word exam practice test youtube - Oct 30 2022

web 46 share 4 4k views 3 years ago this microsoft word practice will help you prepare for the microsoft word core microsoft office specialist mos test you will be amazed to see some
mos word 2013 mos 2013 pearsoncmg com - Oct 10 2023

web word exam 77 418 joan lambert mos 2013 questions about program features the successful mos certification candidate will have at least six months of experience using all aspects of the application on a regular basis for example using word at work or school to create and manage documents format
word 2013 practice test youtube - Mar 23 2022

web dec 8 2013 goes over the practice test for word 2013 you can download the data file here bit ly 1gihqc3and the instructions are here bit ly wtpar6

mos word expert mos 2013 asciutto com - Mar 03 2023

web expert level candidates for the microsoft word 2013 exam should know and demonstrate the use of advanced and specialized features in word 2013 including creating managing and distributing professional documents across a range of

scenarios and requirements see full details at microsoft com learning certification practice files

microsoft office specialist 2013 master certifications - Apr 04 2023

web jul 13 2023 to earn the microsoft office specialist 2013 master certification complete one of the following pathways

option 1 word expert excel core elective pass the following three required exams 77 425 microsoft word 2013 expert part one

77 426 microsoft word 2013 expert part two 77 420 microsoft excel 2013 core

mos 2013 study guide word practice files microsoft community - Sep 09 2023

web may 17 2015 hi i need to download practice files for mos 2013 study guide exam 77 418 ms word the following link

does not work to download practice files aka ms mosword2013 files can you please post the

[microsoft office specialist word 2013 expert certifications](#) - Feb 02 2023

web jul 13 2023 faq help certifications microsoft office specialist word 2013 expert certification details warning the english

version of this certification retired on july 13 2023 all microsoft office specialist mos 2013 certifications and exams in a given

language will retire when the last mos 365 apps exam planned for that language is

[download 120 biodata format for marriage in word pdf](#) - Jun 19 2023

web 1 basic information name father s name mother s name caste marital status unmarried divorced widowed separated etc

qualifications in addition to the institute where you studied birth information such as place time and date of birth

10 marriage biodata format in word and pdf - Sep 22 2023

web here are some latest marriage biodata formats for both boys and girls which you can download in both pdf and word

formats table of contents marriage biodata format in word free download things to keep in mind while preparing biodata

format for marriage

[matrimonial resume cv pdf scribd](#) - Aug 09 2022

web matrimonial resume cv free download as word doc doc docx pdf file pdf text file txt or read online for free matrimonial

resume

marriage biodata format - Aug 21 2023

web biodata stands for biographical data and is an archaic term for resume or c v in a bio data the focus is on personal

particulars like date of birth gender religion race nationality residence marital status and the like a chronological listing of

education and experience comes after that biodata is very popular and needed for marriage

[matrimonial resume sample fast service](#) - Mar 04 2022

web sep 24 2022 matrimonial resume sample professional research paper ghostwriter website for college how to write a

rhyiming book essay topics one flew over the cuckoo nest cute book report templates cheap analysis essay proofreading for

hire for masters economics homework help to get excellent marks

[free download marriage biodata format biodata maker](#) - Nov 12 2022

web making an attractive matrimony biodata is the first step in finding the perfect life partner but not sure how to make a marriage biodata or looking for a biodata format then you are at the right place createmybiodata.com helps you make the best matrimony biodata online through your mobile laptop or computer making a biodata is now made easy

marriage and family therapist resume examples for 2023 - May 06 2022

web jun 29 2023 the average marriage and family therapist resume is 501 words long the average marriage and family therapist resume is 1 1 pages long based on 450 words per page social work is the most common skill found on resume samples for marriage and family therapists it appears on 36 4 of marriage and family therapist resumes

cracking the code of the perfect marriage biodata get set resumes blog - Feb 15 2023

web jul 11 2021 we will explain the components of an ideal matrimonial resume and also provide you with the perfect biodata format for marriage marriage biodata blueprint we present to you a simple diy solution for writing an impressive matrimonial resume follow the procedures and cross check against the points to create a clear and beautiful

how to create a simple marriage cv alormela - Jan 14 2023

web nov 4 2023 verifiable present and permanent address must be included in the marriage cv you must write traditional educational qualification but don't forget to include religious thinks and qualifications looks and hobby is an important factor for the marriage so include what do you like to do and what do not a recent snapped colour 3r 4r photo should

download 120 biodata format for marriage in talk pdf - Oct 11 2022

web format negative 58 matrimonial bio data sample used boys and girls format no 59 marriage bio data available boys download by ms word format no 60 latest bio data since marriage doc format no 61 bio data size plus sample for marriage date no 62 how to make perfecting bio data for marriage

how to create a perfect biodata for marriage cakeresume - Mar 16 2023

web jun 30 2022 in the context of marriage biodata is used to describe a person's personal and professional attributes which is why it's sometimes known as marriage cv or marriage resume the purpose of creating a marriage biodata is

matrimonial resume - Jun 07 2022

web jun 22 2010 here is the format that you should follow personal profile your personal details are the first things a person wants to know following are the fields that you should mention in the personal profile status age birth date height weight complexion hair color built occupation

[download free biodata for marriage online betterhalf](#) - Jul 20 2023

web marriage biodata format check different biodata format for marriage for girls boys fill your personal family contact details select biodata theme and download the free biodata for marriage in pdf format

matrimonial resume sample download fast service - Apr 05 2022

web matrimonial resume sample download i enjoy tutoring because it allows for a slower pace of learning than the student gets in the classroom and gives the opportunity for students to ask questions they may not want to speak up about in front of the entire class

matrimonial resume smart resume - Dec 13 2022

web matrimonial resume this resume is a kind of bio data providing relevant information about an individual who is looking for an appropriate partner in the future it typically highlights the family background personal information

free biodata templates for marriage and job format zety - Oct 23 2023

web nov 20 2023 24 likes comments create a resume now we ll help you craft a proper biodata format for marriage and job plus you can use one of our free biodata templates to present yourself in the best possible way this guide will show you free biodata templates for marriage and a job better than 9 out of 10 others

marriage and family therapist resume template and example - Jul 08 2022

web jun 30 2023 in this article we discuss what a marriage and family therapist is explain how to write a marriage and family therapist resume in eight steps and provide a template and example to help you write your own

make biodata for marriage make resume cv for jobs free pdf - Apr 17 2023

web here you can pick a template by clicking start making bio data resume to make a matrimonial job internship profile you can pick up minimalist and basic bio data format or most elaborate expressive one for matrimonial marriage job internship purpose

how to make a marriage cv in the uk examples by gender - Sep 10 2022

web mar 8 2023 1 include your physical attributes and personal details similar to how to write a professional cv for work a marriage cv is your key to making a positive first impression on potential matches

biodata format for marriage free word and pdf samples - May 18 2023

web biodata format for marriage examples sample content for about myself and expectations email and whatsapp covering note samples for your marriage biodata frequently asked questions about biodata format for marriage check out this informative video on how to create an attractive resume for marriage in 3 steps

radical love introduction to queer theology amazon com - Jul 24 2022

web feb 16 2023 an introduction to queer theology but with a particular focus on how it connects to historical theologians and their perspectives association of welcoming

radical love an introduction to queer theology paperback - May 22 2022

web radical love an introduction to queer theology patrick s cheng seabury 20 160p isbn 978 1 59627 132 6 queer theology is

more than lgbt people talking about god

[churchpublishing.org radical love](#) - Feb 28 2023

web as this first book on the subject of queer theology insightfully argues jesus christ can be understood by lesbian gay bisexual and transgender people as the embodiment of a

radical love introduction to queer theology paperback - Sep 25 2022

web apr 6 2012 this book is a very clear and informative introduction to queer theology it can be easily understood by those who are new to the concept of theology as well as

radical love an introduction to queer theology cheng patrick s - Sep 06 2023

web however radical love is the first introductory textbook on the subject of queer theology in this lucid and compelling introduction cheng provides a historical survey of how queer

radical love introduction to queer theology by patrick cheng - May 02 2023

web however radical love is the first introductory textbook on the subject of queer theology in this lucid and compelling introduction cheng provides a historical survey of how

radical love an introduction to queer theology worldcat.org - Jan 30 2023

web patrick s cheng seabury 20 160p isbn 978 1 59627 132 6 queer theology is more than lgbt people talking about god according to cheng professor at episcopal

radical love introduction to queer theology google play - Apr 01 2023

web mar 1 2011 radical love introduction to queer theology paperback march 1 2011 by patrick s cheng author 4 4 129 ratings see all formats and editions kindle edition

radical love introduction to queer theology paperback - Dec 29 2022

web buy radical love introduction to queer theology 1 by cheng patrick s isbn 9781596271326 from amazon s book store everyday low prices and free delivery on

radical love an introduction to queer theology - Jul 04 2023

web patrick cheng s radical love is not only an excellent introduction to lgbt theology but an important contribution to the discipline of theology and the life of the church it is a

radical love introduction to queer theology google books - Aug 05 2023

web mar 1 2012 this is a very fine introduction to queer theology the author is an assistant professor of historical and systematic theology at episcopal divinity school

radical love an introduction to queer theology 1st first edition - Dec 17 2021

radical love introduction to queer theology - Oct 07 2023

web however radical love is the first introductory textbook on the subject of queer theology in this lucid and compelling introduction cheng provides a historical survey of how

radical love introduction to queer theology association of - Apr 20 2022

web radical love an introduction to queer theology 571 likes 1 talking about this radical love is the first introductory textbook on the subject of queer theology it is written by

radical love an introduction to queer theology facebook - Jan 18 2022

radical love an introduction to queer theology - Jun 03 2023

web radical love introduction to queer theology ebook written by patrick s cheng read this book using google play books app on your pc android ios devices download for

radical love an introduction to queer theology publishers - Oct 27 2022

web mar 1 2011 this book is a very clear and informative introduction to queer theology it can be easily understood by those who are new to the concept of theology as well as

radical love an introduction to queer theology google books - Nov 27 2022

web 2011 03 01 contextual theologies have developed from a number of perspectives including feminist theology black theology womanist theology latin american

radical love an introduction to queer theology en novalis - Aug 25 2022

web radical love an introduction to queer theology patrick s cheng seabury 20 160p isbn 978 1 59627 132 6 queer theology is more than lgbt people talking about god

radical love introduction to queer theology amazon com - Jun 22 2022

web in this lucid and compelling introduction cheng provides a historical survey of how queer theology has developed from the 1950s to today and then explicates the themes of

radical love introduction to queer theology kindle edition - Mar 20 2022

web jan 1 1994 this book is a very clear and informative introduction to queer theology it can be easily understood by those who are new to the concept of theology as well as

radical love introduction to queer theology kindle edition - Feb 16 2022