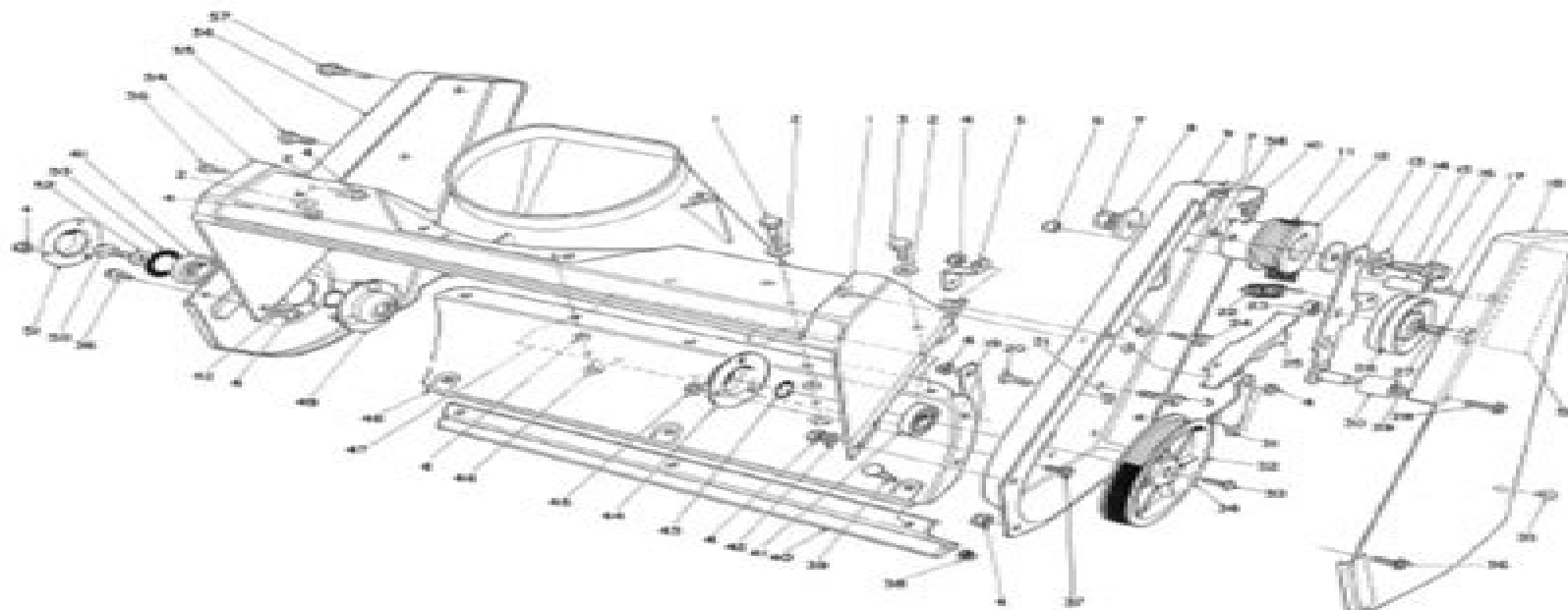




 MODEL NO. 38185-8000001 & UP
 MODEL NO. 38185C-8900001 & UP

**PARTS
CATALOG**
**CCR-2000 SNOWTHROWER
ELECTRIC START**

HOUSING ASSEMBLY

Ref. No.	Part No.	Description	No. Used
1	321-0	Screw — Hex Hd.	3
2	3256-22	Washer	9
3	321-4	Screw — Hex Hd.	5
4	3296-42	Nut — Lock	16
5	55-9430	Bracket — Housing	1
6	32153-4	Nut — Lock	6
7	3296-29	Nut — Lock	3
8	5-4450	Washer	2
9	55-8850	Sideplate — L.H.	1
10	3241-7	Screw — Set, Sq. Hd.	1
11	55-9300	Belt — Drive	1
12	55-0180	Pulley — Engine	1
13	12-8279	Idler Arm Assembly (Incl. Ref. #29 & 30)	1

Ref. No.	Part No.	Description	No. Used
14	25-0640	Washer	1
15	55-9530	Guide — Drive Belt	1
16	27-0410	Screw — Shoulder	1
17	321-13	Screw — Hex. Hd.	1
18	55-9010	Cover — Drive	1
19	56-2610	Bracket — Lower Housing	1
20	3274-31	Screw — Button Hd.	1
21	55-9620	Spacer	2
22	55-9290	Spring — Extension	1
23	32152-2	Nut — Lock	1
24	322-3	Screw — Hex Hd.	2
25	55-9550	Arm — Brake	1
26	55-9290	Pulley — Idler	1
27	323-29	Screw — Hex. Hd.	1

Toro Tc 2000 Manual

Clemens Wendtner



Toro Tc 2000 Manual:

Immerse yourself in heartwarming tales of love and emotion with Explore Love with its touching creation, Experience Love's Journey in **Toro Tc 2000 Manual** . This emotionally charged ebook, available for download in a PDF format (*), is a celebration of love in all its forms. Download now and let the warmth of these stories envelop your heart.

https://ftp.barnabastoday.com/results/virtual-library/HomePages/yard_machines_owners_manual.pdf

Table of Contents Toro Tc 2000 Manual

1. Understanding the eBook Toro Tc 2000 Manual
 - The Rise of Digital Reading Toro Tc 2000 Manual
 - Advantages of eBooks Over Traditional Books
2. Identifying Toro Tc 2000 Manual
 - Exploring Different Genres
 - Considering Fiction vs. Non-Fiction
 - Determining Your Reading Goals
3. Choosing the Right eBook Platform
 - Popular eBook Platforms
 - Features to Look for in an Toro Tc 2000 Manual
 - User-Friendly Interface
4. Exploring eBook Recommendations from Toro Tc 2000 Manual
 - Personalized Recommendations
 - Toro Tc 2000 Manual User Reviews and Ratings
 - Toro Tc 2000 Manual and Bestseller Lists
5. Accessing Toro Tc 2000 Manual Free and Paid eBooks
 - Toro Tc 2000 Manual Public Domain eBooks
 - Toro Tc 2000 Manual eBook Subscription Services
 - Toro Tc 2000 Manual Budget-Friendly Options
6. Navigating Toro Tc 2000 Manual eBook Formats

- ePub, PDF, MOBI, and More
- Toro Tc 2000 Manual Compatibility with Devices
- Toro Tc 2000 Manual Enhanced eBook Features
- 7. Enhancing Your Reading Experience
 - Adjustable Fonts and Text Sizes of Toro Tc 2000 Manual
 - Highlighting and Note-Taking Toro Tc 2000 Manual
 - Interactive Elements Toro Tc 2000 Manual
- 8. Staying Engaged with Toro Tc 2000 Manual
 - Joining Online Reading Communities
 - Participating in Virtual Book Clubs
 - Following Authors and Publishers Toro Tc 2000 Manual
- 9. Balancing eBooks and Physical Books Toro Tc 2000 Manual
 - Benefits of a Digital Library
 - Creating a Diverse Reading Collection Toro Tc 2000 Manual
- 10. Overcoming Reading Challenges
 - Dealing with Digital Eye Strain
 - Minimizing Distractions
 - Managing Screen Time
- 11. Cultivating a Reading Routine Toro Tc 2000 Manual
 - Setting Reading Goals Toro Tc 2000 Manual
 - Carving Out Dedicated Reading Time
- 12. Sourcing Reliable Information of Toro Tc 2000 Manual
 - Fact-Checking eBook Content of Toro Tc 2000 Manual
 - Distinguishing Credible Sources
- 13. Promoting Lifelong Learning
 - Utilizing eBooks for Skill Development
 - Exploring Educational eBooks
- 14. Embracing eBook Trends
 - Integration of Multimedia Elements
 - Interactive and Gamified eBooks

Toro Tc 2000 Manual Introduction

Free PDF Books and Manuals for Download: Unlocking Knowledge at Your Fingertips In today's fast-paced digital age, obtaining valuable knowledge has become easier than ever. Thanks to the internet, a vast array of books and manuals are now available for free download in PDF format. Whether you are a student, professional, or simply an avid reader, this treasure trove of downloadable resources offers a wealth of information, conveniently accessible anytime, anywhere. The advent of online libraries and platforms dedicated to sharing knowledge has revolutionized the way we consume information. No longer confined to physical libraries or bookstores, readers can now access an extensive collection of digital books and manuals with just a few clicks. These resources, available in PDF, Microsoft Word, and PowerPoint formats, cater to a wide range of interests, including literature, technology, science, history, and much more. One notable platform where you can explore and download free Toro Tc 2000 Manual PDF books and manuals is the internet's largest free library. Hosted online, this catalog compiles a vast assortment of documents, making it a veritable goldmine of knowledge. With its easy-to-use website interface and customizable PDF generator, this platform offers a user-friendly experience, allowing individuals to effortlessly navigate and access the information they seek. The availability of free PDF books and manuals on this platform demonstrates its commitment to democratizing education and empowering individuals with the tools needed to succeed in their chosen fields. It allows anyone, regardless of their background or financial limitations, to expand their horizons and gain insights from experts in various disciplines. One of the most significant advantages of downloading PDF books and manuals lies in their portability. Unlike physical copies, digital books can be stored and carried on a single device, such as a tablet or smartphone, saving valuable space and weight. This convenience makes it possible for readers to have their entire library at their fingertips, whether they are commuting, traveling, or simply enjoying a lazy afternoon at home. Additionally, digital files are easily searchable, enabling readers to locate specific information within seconds. With a few keystrokes, users can search for keywords, topics, or phrases, making research and finding relevant information a breeze. This efficiency saves time and effort, streamlining the learning process and allowing individuals to focus on extracting the information they need. Furthermore, the availability of free PDF books and manuals fosters a culture of continuous learning. By removing financial barriers, more people can access educational resources and pursue lifelong learning, contributing to personal growth and professional development. This democratization of knowledge promotes intellectual curiosity and empowers individuals to become lifelong learners, promoting progress and innovation in various fields. It is worth noting that while accessing free Toro Tc 2000 Manual PDF books and manuals is convenient and cost-effective, it is vital to respect copyright laws and intellectual property rights. Platforms offering free downloads often operate within legal boundaries, ensuring that the materials they provide are either in the public domain or authorized for distribution. By adhering to copyright laws, users can enjoy the benefits of free access to knowledge while supporting the authors and publishers who make these resources

available. In conclusion, the availability of Toro Tc 2000 Manual free PDF books and manuals for download has revolutionized the way we access and consume knowledge. With just a few clicks, individuals can explore a vast collection of resources across different disciplines, all free of charge. This accessibility empowers individuals to become lifelong learners, contributing to personal growth, professional development, and the advancement of society as a whole. So why not unlock a world of knowledge today? Start exploring the vast sea of free PDF books and manuals waiting to be discovered right at your fingertips.

FAQs About Toro Tc 2000 Manual Books

How do I know which eBook platform is the best for me? Finding the best eBook platform depends on your reading preferences and device compatibility. Research different platforms, read user reviews, and explore their features before making a choice. Are free eBooks of good quality? Yes, many reputable platforms offer high-quality free eBooks, including classics and public domain works. However, make sure to verify the source to ensure the eBook credibility. Can I read eBooks without an eReader? Absolutely! Most eBook platforms offer web-based readers or mobile apps that allow you to read eBooks on your computer, tablet, or smartphone. How do I avoid digital eye strain while reading eBooks? To prevent digital eye strain, take regular breaks, adjust the font size and background color, and ensure proper lighting while reading eBooks. What the advantage of interactive eBooks? Interactive eBooks incorporate multimedia elements, quizzes, and activities, enhancing the reader engagement and providing a more immersive learning experience. Toro Tc 2000 Manual is one of the best book in our library for free trial. We provide copy of Toro Tc 2000 Manual in digital format, so the resources that you find are reliable. There are also many Ebooks of related with Toro Tc 2000 Manual. Where to download Toro Tc 2000 Manual online for free? Are you looking for Toro Tc 2000 Manual PDF? This is definitely going to save you time and cash in something you should think about.

Find Toro Tc 2000 Manual :

[yard machines owners manual](#)

[yanmar 4jh2 hte service manual](#)

[yorkshire evening post leeds united news](#)

[**ycws type a millenium operation manual**](#)

[yardman mtd 6 speed manual](#)

yesterdays silver for todays table a silver collectors guide to elegant dining

yf60 repair manual

yanmar 2tne 3tne 4tne series diesel engine repair manual

yanmar 3tnv 4tnv diesel engine factory service repair workshop manual instant

yanmar marine gear yx series service repair manual instant

yanmar sc 40 n manual

yfm 80 manual

yotsuba 06 comic manga

yard & garden tractor service manual multi cylinder models

yamahaa fz manual

Toro Tc 2000 Manual :

The Marriage and Family Experience 11th (eleventh ... The book presents the latest information on adoptive parenting, childbearing patterns, gay and lesbian families, the meaning of virginity, gender roles and ... The Marriage and Family... by T. F. Cohen B. Strong C. ... The Marriage and Family Experience (text only) 11th(eleventh) edition by B. Strong,C. DeVault,T. F. Cohen [T. F. Cohen B. Strong C. DeVault] on Amazon.com. The Marriage and Family Experience: Intimate ... Jun 12, 2023 — The Marriage and Family Experience: Intimate Relationships in a Changing Society ; Publication date: 2013 ; Publisher: CENGAGE Learning. The Marriage and Family Experience: Intimate ... THE MARRIAGE & FAMILY EXPERIENCE: INTIMATE RELATIONSHIPS IN A CHANGING SOCIETY, ELEVENTH EDITION is the best-seller that brings together all elements of the ... Theodore F Cohen | Get Textbooks Study Guide for Strong/DeVault/Cohen's The Marriage and Family Experience(11th Edition) Relationships Changing Society by Bryan Strong, Theodore F. Cohen ... The marriage and family experience : intimate relationships ... The marriage and family experience : intimate relationships in a changing society ; Authors: Bryan Strong (Author), Theodore F. Cohen (Author) ; Edition: 13th ... The Marriage and Family Experience: Intimate ... The book presents the latest information on adoptive parenting, childbearing patterns, gay and lesbian families, the meaning of virginity, gender roles and ... Srong, B., Devault, C., & Cohen, T. F. (2011). The Marriage ... Srong, B., Devault, C., & Cohen, T. F. (2011). The Marriage and Family Experience Intimate Relationships in a Changing Society (11th ed.). USA Wadsworth General The Marriage and Family Experience 14th Edition It explores adoptive parenting, childbearing patterns, gay and lesbian families, the transgender experience, virginity, gender roles, communication and conflict ... The Marriage and Family Experience: Intimate ... The book presents the latest information on adoptive parenting, childbearing patterns, gay and lesbian families, the meaning of virginity, gender roles and ... Applied Mechanics for Engineering Technology Applied

Mechanics for Engineering Technology (8th International Edition). Keith M. Walker. Applied Mechanics for Engineering Technology Keith M. ... Keith M. Walker. 543. Index. Page 6. Introduction. OBJECTIVES. Upon ... text,. From Chapter 1 of Applied Mechanics for Engineering Technology Eighth Edition. Applied Mechanics for Engineering Technology (8th ... Walker Applied Mechanics for Engineering Technology (8th International ... Keith M. Walker. Published by Pearson, 2007. International Edition. ISBN 10 ... Applied Mechanics for Engineering Technology - Hardcover Walker, Keith ... Featuring a non-calculus approach, this introduction to applied mechanics book combines a straightforward, readable foundation in underlying ... Applied Mechanics for Engineering Technology 8th Edition ... Walker Applied Mechanics for Engineering Technology (8th Edition)Keith M. ... Walker Doc Applied Mechanics for Engineering Technology (8th Edition) by Keith M. Applied Mechanics for Engineering Technology | Rent Authors: Keith M Walker, Keith Walker ; Full Title: Applied Mechanics for Engineering Technology ; Edition: 8th edition ; ISBN-13: 978-0131721517 ; Format: Hardback. Applied Mechanics for Engineering Technology Featuring a non-calculus approach, this introduction to applied mechanics book combines a straightforward, readable foundation in underlying physics ... Applied Mechanics for Engineering Technology Keith M. Walker. Affiliation. Upper Saddle River ... Instructors of classes using Walker, Applied Mechanics for Engineering Technology, may reproduce material ... Applied Mechanics for Engineering Technology by Keith ... Applied Mechanics for Engineering Technology by Keith Walker (2007, Hardcover) · Buy It Now. Applied Mechanics for Engineering Technology 8e by Keith M. Walker ... Keith M Walker | Get Textbooks Books by Keith Walker. Applied Mechanics for Engineering Technology(8th Edition) The Certified Quality Engineer Handbook, Third Edition This third edition provides the quality professional with an updated resource that exactly follows ASQ s Certified Quality Engineer (CQE) Body of Knowledge. The Certified Quality Engineer Handbook 3rd (Third) ... This third edition provides the quality professional with an updated resource that exactly follows ASQ s Certified Quality Engineer (CQE) Body of Knowledge. the certified quality engineer handbook, third edition Synopsis: This third edition provides the quality professional with an updated resource that exactly follows ASQ s Certified Quality Engineer (CQE) Body of ... The Certified Quality Engineer Handbook(Third Edition) The third edition of The Certified Engineering Handbook was written to pro-vide the quality professional with an updated resource that follows the CQE Body ... The certified quality engineer handbook, 3d ed - Document Ed. by Connie M. Borrer. ASQ Quality Press. 2008. 667 pages. \$126.00. Hardcover. TS156. The third edition of this reference for quality engineers may be used ... Books & Standards The ASQ Certified Supplier Quality Professional Handbook, Second Edition, offers a roadmap for professionals tasked with ensuring a safe, reliable, cost- ... The Certified Quality Engineer Handbook This 3rd edition provides the quality professional with an updated resource that exactly follows ASQ's Certified Quality Engineer (CQE) Body of Knowledge. The Certified Reliability Engineer Handbook, Third Edition This handbook is fully updated to the 2018 Body of Knowledge for the Certified Reliability Engineer (CRE), including the new sections on leadership, ... The certified quality

engineer handbook The certified quality engineer handbook -book. ... Third edition. more hide. Show All Show Less. Format. 1 online resource (695 p ... The Certified Quality Engineer handbook third edition The Certified Quality Engineer handbook third edition. No any marks or rips.The original price was \$139.00.