

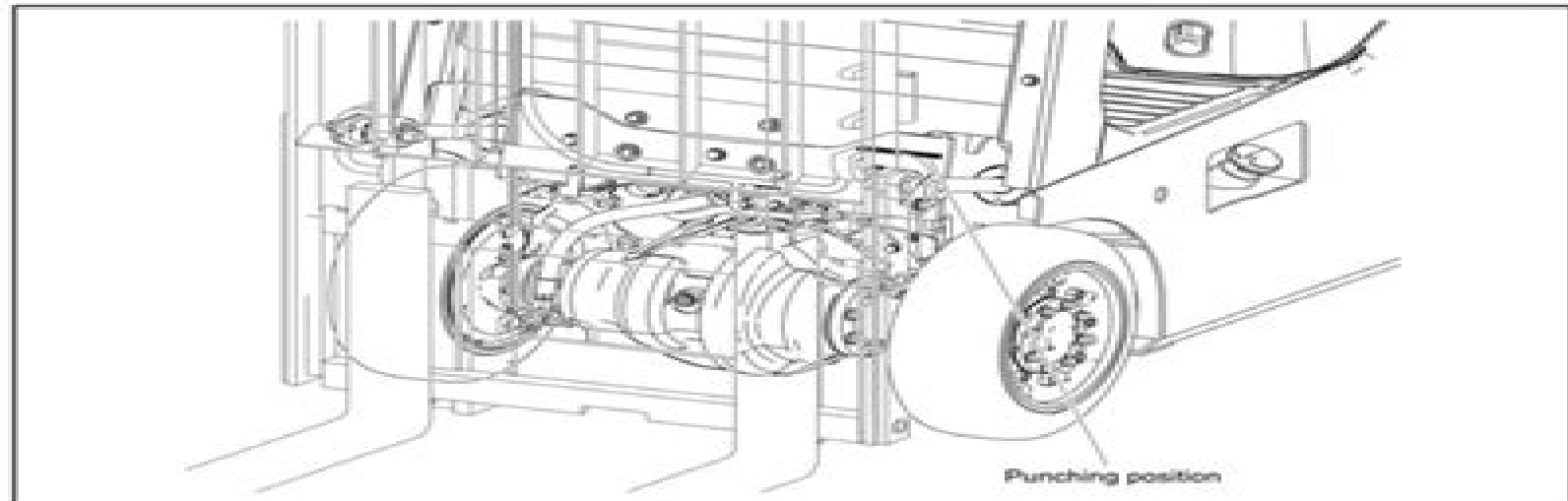
VEHICLE MODEL

Series	Load Capacity	Vehicle Model	Transmission Type	Engine	
				4Y	Gasoline
1 ton series	3000 lbs.	8FGCU15	T/C	4Y	Gasoline
	3500 lbs.	8FGCU18	T/C	4Y	Gasoline
	4000 lbs.	*8FGCSU20	T/C	4Y	Gasoline

*: USA and CANADA Only

FRAME NUMBER

Frame No. Punching Position



Series	Engine	Vehicle model	Punching format
1 ton series	4Y	8FGCU15	8FGCSU20 - 10011 *8FGCSU20C - 10011
		8FGCU18	
		8FGCSU20	

*: EEC spec.

Toyota 8fgu25 Manual

**John B. Raffa, Larry Warren, John Harold
Haynes**



Toyota 8fgu25 Manual:

State of Colorado Mobile Equipment Manual, 2019 **Toyota Model-F Repair Manual for Body & Chassis** Toyota Jidōsha Kabushiki Kaisha, 1983 **Toyota Truck** Toyota Jidōsha Kabushiki Kaisha, 1985 **Toyota Pick-Up Owners Workshop Manual** John B. Raffa, John Harold Haynes, 1983 *Toyota Hi-Lux Repair Manual* Toyota Jidōsha Hanbai Kabushiki Kaisha, 1976 Toyota model-F repair manual for chassis & body Toyota Jidōsha Kabushiki Kaisha, 1985 *Toyota Engine Repair Manual, 8R-C, 18R-C* Toyota Motor Sales, U.S.A., Inc, 1972 Toyota Emission Control Toyota Jidōsha Kabushiki Kaisha, 1971 **Toyota Pick-ups & 4-runner Automotive Repair Manual** John B. Raffa, Larry Warren, John Harold Haynes, 1992 **Toyota Owners Workshop Manual** John Harold Haynes, Peter B. Ward, 1982 **Toyota Yaris Service and Repair Manual** R. M. Jex, 2005 Hatchback Does NOT cover T Sport Free Tronic MMT clutchless transmission or features specific to Verso models Petrol 1 0 litre 998cc 1 3 litre 1299cc **Toyota Starlet Owners Workshop Manual** John Harold Haynes, Andrew Kirk Legg, 1985 *2017 Toyota Sequoia Owner Manual Compatible with OEM Owners Manual, Factory Glovebox Book* Helming, 2017-04-29 **Toyota Tacoma, 4Runner & T100 Automotive Repair Manual** Robert Phillip Maddox, Mike Stubblefield, John Harold Haynes, 1998 Toyota Pickup Truck Service Manual, 1982 **2018 Toyota Tacoma Owner Manual Compatible with OEM Owners Manual, Factory Glovebox Book** Helming, 2018-07-31 Toyota Pickup Truck Robert Bently Publishers, 1986-07-01 *Air Conditioning System Repair Manual: Toyota Corona* Toyota Jidōsha Hanbai Kabushiki Kaisha, 1971 **2017 Toyota Tacoma Owner Manual Compatible with OEM Owners Manual, Factory Glovebox Book** Helming, 2017-03-29 **2012 Toyota Tacoma Owner Manual Compatible with OEM Owners Manual, Factory Glovebox Book** Helming, 2012-04-29

Fuel your quest for knowledge with Authored by is thought-provoking masterpiece, **Toyota 8fgu25 Manual** . This educational ebook, conveniently sized in PDF (Download in PDF: *), is a gateway to personal growth and intellectual stimulation. Immerse yourself in the enriching content curated to cater to every eager mind. Download now and embark on a learning journey that promises to expand your horizons. .

https://ftp.barnabastoday.com/files/scholarship/Download_PDFS/Toyota_Corolla_Dx_Owner_Manual.pdf

Table of Contents Toyota 8fgu25 Manual

1. Understanding the eBook Toyota 8fgu25 Manual
 - The Rise of Digital Reading Toyota 8fgu25 Manual
 - Advantages of eBooks Over Traditional Books
2. Identifying Toyota 8fgu25 Manual
 - Exploring Different Genres
 - Considering Fiction vs. Non-Fiction
 - Determining Your Reading Goals
3. Choosing the Right eBook Platform
 - Popular eBook Platforms
 - Features to Look for in an Toyota 8fgu25 Manual
 - User-Friendly Interface
4. Exploring eBook Recommendations from Toyota 8fgu25 Manual
 - Personalized Recommendations
 - Toyota 8fgu25 Manual User Reviews and Ratings
 - Toyota 8fgu25 Manual and Bestseller Lists
5. Accessing Toyota 8fgu25 Manual Free and Paid eBooks
 - Toyota 8fgu25 Manual Public Domain eBooks
 - Toyota 8fgu25 Manual eBook Subscription Services
 - Toyota 8fgu25 Manual Budget-Friendly Options

-
6. Navigating Toyota 8fgu25 Manual eBook Formats
 - ePub, PDF, MOBI, and More
 - Toyota 8fgu25 Manual Compatibility with Devices
 - Toyota 8fgu25 Manual Enhanced eBook Features
 7. Enhancing Your Reading Experience
 - Adjustable Fonts and Text Sizes of Toyota 8fgu25 Manual
 - Highlighting and Note-Taking Toyota 8fgu25 Manual
 - Interactive Elements Toyota 8fgu25 Manual
 8. Staying Engaged with Toyota 8fgu25 Manual
 - Joining Online Reading Communities
 - Participating in Virtual Book Clubs
 - Following Authors and Publishers Toyota 8fgu25 Manual
 9. Balancing eBooks and Physical Books Toyota 8fgu25 Manual
 - Benefits of a Digital Library
 - Creating a Diverse Reading Collection Toyota 8fgu25 Manual
 10. Overcoming Reading Challenges
 - Dealing with Digital Eye Strain
 - Minimizing Distractions
 - Managing Screen Time
 11. Cultivating a Reading Routine Toyota 8fgu25 Manual
 - Setting Reading Goals Toyota 8fgu25 Manual
 - Carving Out Dedicated Reading Time
 12. Sourcing Reliable Information of Toyota 8fgu25 Manual
 - Fact-Checking eBook Content of Toyota 8fgu25 Manual
 - Distinguishing Credible Sources
 13. Promoting Lifelong Learning
 - Utilizing eBooks for Skill Development
 - Exploring Educational eBooks
 14. Embracing eBook Trends
 - Integration of Multimedia Elements

-
- Interactive and Gamified eBooks

Toyota 8fgu25 Manual Introduction

Free PDF Books and Manuals for Download: Unlocking Knowledge at Your Fingertips In today's fast-paced digital age, obtaining valuable knowledge has become easier than ever. Thanks to the internet, a vast array of books and manuals are now available for free download in PDF format. Whether you are a student, professional, or simply an avid reader, this treasure trove of downloadable resources offers a wealth of information, conveniently accessible anytime, anywhere. The advent of online libraries and platforms dedicated to sharing knowledge has revolutionized the way we consume information. No longer confined to physical libraries or bookstores, readers can now access an extensive collection of digital books and manuals with just a few clicks. These resources, available in PDF, Microsoft Word, and PowerPoint formats, cater to a wide range of interests, including literature, technology, science, history, and much more. One notable platform where you can explore and download free Toyota 8fgu25 Manual PDF books and manuals is the internet's largest free library. Hosted online, this catalog compiles a vast assortment of documents, making it a veritable goldmine of knowledge. With its easy-to-use website interface and customizable PDF generator, this platform offers a user-friendly experience, allowing individuals to effortlessly navigate and access the information they seek. The availability of free PDF books and manuals on this platform demonstrates its commitment to democratizing education and empowering individuals with the tools needed to succeed in their chosen fields. It allows anyone, regardless of their background or financial limitations, to expand their horizons and gain insights from experts in various disciplines. One of the most significant advantages of downloading PDF books and manuals lies in their portability. Unlike physical copies, digital books can be stored and carried on a single device, such as a tablet or smartphone, saving valuable space and weight. This convenience makes it possible for readers to have their entire library at their fingertips, whether they are commuting, traveling, or simply enjoying a lazy afternoon at home. Additionally, digital files are easily searchable, enabling readers to locate specific information within seconds. With a few keystrokes, users can search for keywords, topics, or phrases, making research and finding relevant information a breeze. This efficiency saves time and effort, streamlining the learning process and allowing individuals to focus on extracting the information they need. Furthermore, the availability of free PDF books and manuals fosters a culture of continuous learning. By removing financial barriers, more people can access educational resources and pursue lifelong learning, contributing to personal growth and professional development. This democratization of knowledge promotes intellectual curiosity and empowers individuals to become lifelong learners, promoting progress and innovation in various fields. It is worth noting that while accessing free Toyota 8fgu25 Manual PDF books and manuals is convenient and cost-effective, it is vital to respect copyright laws and intellectual property rights. Platforms offering free downloads often operate within legal boundaries, ensuring that

the materials they provide are either in the public domain or authorized for distribution. By adhering to copyright laws, users can enjoy the benefits of free access to knowledge while supporting the authors and publishers who make these resources available. In conclusion, the availability of Toyota 8fgu25 Manual free PDF books and manuals for download has revolutionized the way we access and consume knowledge. With just a few clicks, individuals can explore a vast collection of resources across different disciplines, all free of charge. This accessibility empowers individuals to become lifelong learners, contributing to personal growth, professional development, and the advancement of society as a whole. So why not unlock a world of knowledge today? Start exploring the vast sea of free PDF books and manuals waiting to be discovered right at your fingertips.

FAQs About Toyota 8fgu25 Manual Books

How do I know which eBook platform is the best for me? Finding the best eBook platform depends on your reading preferences and device compatibility. Research different platforms, read user reviews, and explore their features before making a choice. Are free eBooks of good quality? Yes, many reputable platforms offer high-quality free eBooks, including classics and public domain works. However, make sure to verify the source to ensure the eBook credibility. Can I read eBooks without an eReader? Absolutely! Most eBook platforms offer web-based readers or mobile apps that allow you to read eBooks on your computer, tablet, or smartphone. How do I avoid digital eye strain while reading eBooks? To prevent digital eye strain, take regular breaks, adjust the font size and background color, and ensure proper lighting while reading eBooks. What the advantage of interactive eBooks? Interactive eBooks incorporate multimedia elements, quizzes, and activities, enhancing the reader engagement and providing a more immersive learning experience. Toyota 8fgu25 Manual is one of the best book in our library for free trial. We provide copy of Toyota 8fgu25 Manual in digital format, so the resources that you find are reliable. There are also many Ebooks of related with Toyota 8fgu25 Manual. Where to download Toyota 8fgu25 Manual online for free? Are you looking for Toyota 8fgu25 Manual PDF? This is definitely going to save you time and cash in something you should think about.

Find Toyota 8fgu25 Manual :

[toyota corolla dx owner manual](#)

[toyota corolla xnze121 owners manual](#)

[toyota corolla 1992 repair manual](#)

[toyota corolla service manual 4afe](#)

[toyota e110 repair manual](#)

[toyota forklift 7fdu35 manual](#)

toyota hiace van 1983 1989 yh lh workshop manual campervan

[toyota corolla 1986 manual](#)

~~[toyota camry vacuum hose diagram v6](#)~~

toyota fj cruiser shop manual 2007 2010

toyota harrier maintenance manual

[toyota hilux surf owners manual](#)

[toyota corolla 1992 electrical wiring diagram](#)

[toyota prius 2012 service manual](#)

toyota ee80 repair manual free torrent

Toyota 8fgu25 Manual :

[everybody lies the new york times bestseller what the](#) - Jun 13 2023

web everybody lies the new york times bestseller what the internet can tell us about who we really are stephens davidowitz

seth amazon in books books business economics economics available instantly audiobook 0 00 with membership trial

hardcover 1 924 00 paperback 750 00 other used and new from 599 00 buy used

[the new york times best seller list wikipedia](#) - Mar 30 2022

web the new york times best seller list is widely considered the preeminent list of best selling books in the united states 1 2

since october 12 1931 the new york times book review has published the list weekly 1

everybody lies the new york times bestseller english edition - Jun 01 2022

web jun 11 2023 everybody lies the new york times bestseller by seth 9780062390851 everybody lies big data new help

discoveram com 1 10 everybody lies the new york times bestseller english edition by seth stephens davidowitz data and the

new york times bestselleran economist book of the yeara new statesman

everybody lies what the internet can tell us about who we - Aug 15 2023

web may 29 2017 in this groundbreaking work seth stephens davidowitz a harvard trained economist former google data

scientist and new york times writer argues that much of what we thought about people has been dead wrong the reason

people lie to friends lovers doctors surveys and themselves however we no longer need to rely on what

[everybody lies what the internet can tell us about who we](#) - May 12 2023

web everybody lies to friends lovers doctors pollsters and to themselves in internet searches however people confess the truth insightful funny and always surprising everybody lies explores how this huge collection of data unprecedented in human history could just be the most important ever collected

everybody lies big data new data and what the intern - Jan 28 2022

web may 9 2017 goodreads choice award nominee for best science technology 2017 foreword by steven pinker blending the informed analysis of the signal and the noise with the instructive iconoclasm of think like a freak a fascinating illuminating and witty look at what the vast amounts of information now instantly available to us reveals about

everybody lies what the internet can tell us about who we - Jul 14 2023

web jul 13 2017 the new york times bestseller an economist book of the year 2017 insightful surprising and with ground breaking revelations about our society everybody lies exposes the secrets embedded in our internet searches with a foreword by bestselling author steven pinker everybody lies to friends lovers doctors pollsters

everybody lies summary and review four minute books - Dec 27 2021

web sep 8 2022 everybody lies summary june 10 2020september 8 2022 luke rowley culture psychology society technology 1 sentence summary everybody lies will expand your mind about the true nature of human beings by explaining what big data is how it came to be and how we can use it to understand ourselves better

everybody lies the new york times bestseller engl dale - Jul 02 2022

web everybody lies the new york times bestseller engl when somebody should go to the books stores search instigation by shop shelf by shelf it is really problematic this is why we allow the book compilations in this website it will totally ease you to see guide everybody lies the new york times bestseller engl as you such as

everybody lies the new york times bestseller kağıt kapak - Mar 10 2023

web everybody lies the new york times bestseller stephens davidowitz seth amazon com tr kitap

everybody lies the new york times bestseller engl pdf usa - Aug 03 2022

web everybody lies the new york times bestseller engl 1 everybody lies the new york times bestseller engl everybody lies big data new data and what the internet 150 classic jokes about new york and los angeles everybody lies the new york times bestseller seth amazon co uk customer reviews everybody lies the new

[everybody lies google books](#) - Dec 07 2022

web may 29 2017 everybody lies what the internet can tell us about who we really are seth stephens davidowitz bloomsbury publishing may 29 2017 social science 352 pages the new york times

everybody lies the new york times bestseller kağıt kapak - Apr 11 2023

web everybody lies the new york times bestseller stephens davidowitz seth amazon com tr kitap

[everybody lies the new york times bestseller alibris](#) - Feb 26 2022

web the new york times bestseller an economist book of the year 2017 insightful surprising and with ground breaking revelations about our society everybody lies exposes the secrets embedded in our internet searches with a foreword by bestselling author steven pinker everybody lies to friends lovers doctors pollsters

everybody lies the new york times bestseller english edition - Jan 08 2023

web york times bestseller everybody lies the new york times bestseller seth discourse reconstructingjudaism org 2 17 big data says everybody lies towards data science may 28th 2020 everybody lies except to google time and time again it has been observed that people tend to lie when they think they are being watched according

[everybody lies the new york times bestseller abebooks](#) - Sep 04 2022

web this book is about a whole new way of studying the mind endlessly fascinating steven pinker a whirlwind tour of the modern human psyche economist everybody lies to friends lovers doctors pollsters and to themselves in internet searches however people confess the truth insightful funny and always surprising

[everybody lies what the internet can tell us about who we](#) - Nov 06 2022

web apr 19 2018 the new york times bestseller an economist book of the year a new statesman book of the year this book is about a whole new way of studying the mind endlessly fascinating steven pinker a whirlwind tour of the modern human psyche economist everybody lies to friends lovers doctors pollsters and to

[everybody lies the new york times bestseller engl 2022](#) - Apr 30 2022

web everybody lies the new york times bestseller engl it is completely easy then before currently we extend the connect to purchase and create bargains to download and install everybody lies the new york times bestseller engl for that

everybody lies the new york times bestseller engl pdf 2023 - Feb 09 2023

web within the pages of everybody lies the new york times bestseller engl pdf an enthralling opus penned by a highly acclaimed wordsmith readers attempt an immersive expedition to unravel the intricate significance of language and its

best sellers books the new york times - Oct 05 2022

web sep 24 2023 the new york times best sellers are up to date and authoritative lists of the most popular books in the united states based on sales in the past week including fiction non fiction paperbacks

physik lehr und Übungsbuch von d giancoli 4 auflage buch - Aug 15 2023

web das bedeutet über 300 digitale arbeitsblätter zu den beispielen im buch erweiterte phet animationen und simulationen ein klausurtrainer und über 1 000 mcqs der zugangscod für mylab physik gültig für 36 monate ist im buch enthalten

[physik mit elearning zugang mylab physik lehr und alice](#) - Aug 03 2022

web physik mit elearning zugang mylab physik lehr und is available in our digital library an online access to it is set as public

so you can download it instantly our books collection saves in multiple locations allowing you to get the most less latency time to

physik mit elearning zugang mylab physik lehr und pdf - Nov 06 2022

web jul 14 2023 physik mit elearning zugang mylab physik lehr und 2 11 downloaded from uniport edu ng on july 14 2023 by guest gives a comprehensive introduction to the popular comsol multiphysics 5 software this third edition contains extensive coverage of both microfluidics and computational fluid

physik lehr und Übungsbuch von d giancoli 4 auflage - Feb 26 2022

web das bedeutet über 300 digitale arbeitsblätter zu den beispielen im buch erweiterte phet animationen und simulationen ein klausurtrainer und über 1 000 mcqs der zugangscode für mylab physik gültig für 36 monate ist im buch enthalten

physik mit elearning zugang mylab physik lehr und übungsbuch - Dec 07 2022

web jun 10 2023 physik mit elearning zugang mylab physik lehr und übungsbuch pearson studium physik by douglas c giancoli vierten auflage aktualisierte giancoli ist der klassiker unter diesen lehrbüchern und langjährig in der lehre etabliert [experimentalphysik 1 mit elearning zugang mylab amazon de](#) - Jan 08 2023

web experimentalphysik 1 mit elearning zugang mylab experimentalphysik 1 mechanik und wärme pearson studium physik erdmann martin flügge günter isbn 9783868944167 kostenloser versand für alle bücher mit

physik mit elearning zugang mylab physik lehr und übungsbuch - May 12 2023

web physik mit elearning zugang mylab physik lehr und übungsbuch pearson studium physik by douglas c giancoli mylab physik und den vielen learn a little do a little beispielen eine konkurrenzlose auswahl an medien und online ressourcen die das verständnis der physik verbessern

giancoli physik mit elearning zugang mylab amazon de - Jun 13 2023

web mit elearning zugang mylab physik gymnasiale oberstufe gymnasiale oberstufe pearson studium physik schule giancoli douglas c isbn 9783868949155 kostenloser versand für alle bücher mit versand und verkauf duch amazon

physik mit elearning zugang mylab physik lehr und hugh d - Jul 02 2022

web physik mit elearning zugang mylab physik lehr und when people should go to the book stores search initiation by shop shelf by shelf it is really problematic this is why we provide the book compilations in this website it will unquestionably ease you to look guide physik mit elearning zugang mylab physik lehr und as you such as

physik lehr und Übungsbuch pearson studium physik - Jul 14 2023

web physik lehr und Übungsbuch pearson studium physik giancoli douglas c isbn 9783868943634 kostenloser versand für alle bücher mit versand und verkauf duch amazon

myphysicslab startseite - Apr 30 2022

web mar 14 2023 mit feder achterbahn mit zwei kugeln achterbahn mit flug starrkörper achterbahn brachistochrone
billiard hängende kette newton s wiege nichts machen mühle pendel uhr auto aufhängung doppel pendel mit physik engine
wagen pendel mit physik engine mars mond rundobjekte haufen haufen anziehend polygon formen

ankara yıldırım beyazıt Üniversitesi - Sep 04 2022

web mar 4 2019 fizik ii lab duyurusu 4 3 2019 physics ii lab sections will start on 4 8 march 2019 as in department lecture
schedule at ab 318 3rd floor you can find lab documents from the link below 4 8 mart 2019 haftasında ab 318 3 kat fizik ii
labı ilgili her bölüm için ders programındaki ilgili saatlerde başlayacaktır

physik mit elearning zugang mylab physik lehr und übungsbuch - Jan 28 2022

web physik mit elearning zugang mylab physik lehr und übungsbuch pearson studium physik by douglas c giancoli
verknüpfungen zu weiteren pdf arbeitsblätter aus den tutorien zur physik 978 3 8273 7322 9 eingepflegt

physik mit elearning zugang mylab physik lehr und übungsbuch - Dec 27 2021

web may 19th 2020 physik mit elearning zugang mylab physik lehr und übungsbuch pearson studium physik jetzt bei kaufen
79 95 bestrahlungsverfahren lexikon der physik

amazon de kundenrezensionen physik lehr und Übungsbuch - Apr 11 2023

web finde hilfreiche kundenrezensionen und rezensionsbewertungen für physik lehr und Übungsbuch pearson studium
physik auf amazon de lese ehrliche und unvoreingenommene rezensionen von unseren nutzern

physik mit elearning zugang mylab physik lehr und james o - Jun 01 2022

web physik mit elearning zugang mylab physik lehr und when people should go to the book stores search establishment by
shop shelf by shelf it is truly problematic this is why we give the books compilations in this website it will categorically ease
you to see guide physik mit elearning zugang mylab physik lehr und as you such as

physik mit elearning zugang mylab physik lehr und - Feb 09 2023

web physik mit elearning zugang mylab physik lehr und evaluation metakognition und assessment nov 15 2021 evaluation
metakognition und assessment finden auf unterschiedlichen ebenen und in unterschiedlichen bezügen statt auf curriculärer
ebene auf personaler ebene im lernprozess durch und mit den beteiligten

physik mit elearning zugang mylab physik lehr und übungsbuch - Mar 10 2023

web physik mit elearning zugang mylab physik lehr und übungsbuch pearson studium physik by douglas c giancoli doch
einfach das dort befindliche ebook entweder über den browser oder über unsere app im wahrsten sinne ein learning to go
der zugangscod für mylab physik gültig für 36 monate ist im buch enthalten

sign in gitlab - Mar 30 2022

web gitlab community edition

physik mit elearning zugang mylab physik lehr und übungsbuch - Oct 05 2022

web jul 18 2023 kundenrezensionen moderne physik ein lehr und physik testberichte amp bewertungen 2020 bestseller de kundenrezensionen physik mit elearning zugang online lehren und lernen ll physik test preisvergleich amp ratgeber online kptm edu my 2 36

translation of ich wünsche dir viel kraft in english reverso - Jul 07 2023

web ich wünsche dir viel kraft i wish you comfort and peace of heart ich wünsche dir und deiner familie viel kraft für die nächste zeit i hope you and your family will find the

ich wunsche dir viel kraft almanca İngilizce çeviri pons - Jul 27 2022

web pons çevrimiçi sözlüğünde ich wunsche dir viel kraft almanca İngilizce çevirisine bakın Ücretsiz kelime öğretme antrenörü fiil tabloları ve telaffuz işlevini içerir

hallo yuki hiermit grautliere ich dir ganz herzlich zum geburtstag - Dec 20 2021

web nov 9 2023 audio clip download from angela merkel tts computer ai voice

viel kraft wünschen englisch Übersetzung linguee wörterbuch - Jan 01 2023

web externe quellen nicht geprüft viele übersetzte beispielsätze mit viel kraft wünschen englisch deutsch wörterbuch und suchmaschine für millionen von englisch

ich wünsche dir kraft song download from spuren im sand - May 25 2022

web ich wünsche dir kraft song by siegfried fietz now on jiosaavn german music album spuren im sand lieder der geborgenheit download song or listen online free only on

ich wünsche dir viel kraft translation in english reverso - Apr 04 2023

web ich wünsche dir und deiner familie viel kraft für die nächste zeit i hope you and your family will find the strength to overcome your grief ich drück dich ganz fest und wünsche

ich wunsche dir viel kraft deutsch englisch Übersetzung pons - Sep 28 2022

web Übersetzungen für ich wunsche dir viel kraft im deutsch englisch wörterbuch springe zu englisch deutsch zur textübersetzung beispiele aus dem internet nicht von der

ich wunsche dir kraft assetj trustcode com br - Jan 21 2022

web 2 ich wunsche dir kraft 2023 08 01 etwas unpersönlichen glückwunschkarte oder einem einfachen satz am morgen des hochzeitstags das buch ist für alle menschen

kraft genesungswünsche sprüche kurz lang allesgute info - Jun 06 2023

web ich wünsche dir viel kraft und hoffe dass dein weg trotz allem nicht so schwer wird ich bin immer für dich da und werde dich so gut wie möglich unterstützen lieber thomas mit

ich wünsche dir viel kraft spanish translator - Oct 30 2022

web translate ich wünsche dir viel kraft see spanish english translations with audio pronunciations examples and word by word explanations

ich wünsche dir translation in leo s english german dictionary - Apr 23 2022

web ich wünsche dir viel kraft last post 27 jul 06 09 49 strength power die mutter einer brieffreundin ist an krebs verstorben ich möchte ihr als 1 replies ich wünsche dir

translation of ich wünsche dir die kraft in english reverso - Mar 03 2023

web translations in context of ich wünsche dir die kraft in german english from reverso context ich wünsche dir die kraft aller elemente ich wünsche dir die kraft aller

ich wünsche dir kraft amazon co uk books - Mar 23 2022

web buy ich wünsche dir kraft by 9783629111791 from amazon uk s books shop free delivery on eligible orders

translation of ich wünsche dir kraft in english reverso context - Nov 30 2022

web ich wünsche ihnen kraft verständnis und stärke i wish you force insight and strength ich wünsche ihnen kraft und mit ihren kampf fortzusetzen i wish you strength and

ich wünsche dir viel kraft english missing english german - Nov 18 2021

web ich wünsche dir viel kraft english missing english german forums leo org leo org your online dictionary for english german translations

hallo melli ich wünsche dir eine gute nacht helmut kohl ex - Feb 19 2022

web nov 9 2023 instant sound button from helmut kohl ex bundeskanzler deutschland tts computer ai voice

ich wünsche dir kraft hardcover february 14 2011 amazon com - Aug 28 2022

web feb 14 2011 amazon com ich wünsche dir kraft 9783629106452 unknown author books skip to main content us delivering to lebanon 66952 update location books

ich wünsche dir viel kraft english missing english german - Aug 08 2023

web jul 27 2006 ich wünsche dir viel kraft die mutter einer brieffreundin ist an krebs gestorben ich möchte ihr also der freundin viel kraft für die nächste zeit wünschen

ich wunsche dir viel kraft translation from german into english - Jun 25 2022

web look up the german to english translation of ich wunsche dir viel kraft in the pons online dictionary includes free vocabulary trainer verb tables and pronunciation function

ich wünsche viel kraft english translation linguee - May 05 2023

web ich wünsche viel kraft english translation linguee many translated example sentences containing ich wünsche viel kraft

english german dictionary and search engine for

ich wünsche dir kraft - Sep 09 2023

web ich wünsch dass die hoffnung nie fort von dir geht nur weil keine kraft mehr dahinter steht ich wünsche dir kraft die in den stand dich versetzt wieder heilen zu lassen

ich wünsche dir kraft amazon de bücher - Oct 10 2023

web gebundenes buch 2 31 3 gebraucht ab 2 31 ich wünsche dir ganz viel energie die dich beschwingt durch den alltag trägt ein geschenkbuch für alle die tagtäglich viel

ich wünsche dir kraft siegfried fietz shazam - Feb 02 2023

web listen to ich wünsche dir kraft by siegfried fietz 43 shazams discovered using shazam the music discovery app ich wünsche dir kraft siegfried fietz shazam