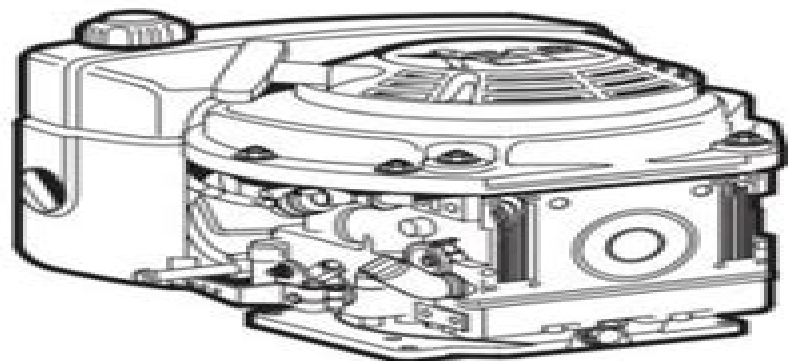
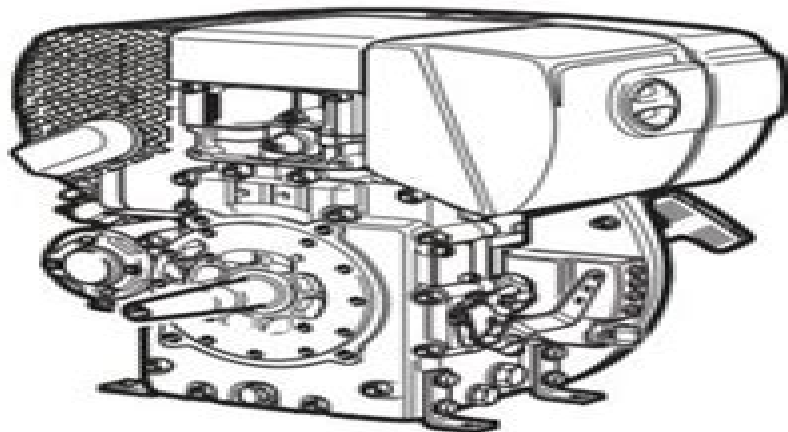


Werkstatt-Handbuch



1 B . .

438 801 02 - Printed in Germany

Workshop Manual Hatz 1b20 Engine

Terry C. Jones



Workshop Manual Hatz 1b20 Engine:

Unveiling the Magic of Words: A Review of "**Workshop Manual Hatz 1b20 Engine**"

In some sort of defined by information and interconnectivity, the enchanting power of words has acquired unparalleled significance. Their capability to kindle emotions, provoke contemplation, and ignite transformative change is truly awe-inspiring. Enter the realm of "**Workshop Manual Hatz 1b20 Engine**," a mesmerizing literary masterpiece penned with a distinguished author, guiding readers on a profound journey to unravel the secrets and potential hidden within every word. In this critique, we shall delve in to the book is central themes, examine its distinctive writing style, and assess its profound impact on the souls of its readers.

https://ftp.barnabastoday.com/public/book-search/Documents/todesstall_ken_reklov_ebook.pdf

Table of Contents Workshop Manual Hatz 1b20 Engine

1. Understanding the eBook Workshop Manual Hatz 1b20 Engine
 - The Rise of Digital Reading Workshop Manual Hatz 1b20 Engine
 - Advantages of eBooks Over Traditional Books
2. Identifying Workshop Manual Hatz 1b20 Engine
 - Exploring Different Genres
 - Considering Fiction vs. Non-Fiction
 - Determining Your Reading Goals
3. Choosing the Right eBook Platform
 - Popular eBook Platforms
 - Features to Look for in an Workshop Manual Hatz 1b20 Engine
 - User-Friendly Interface
4. Exploring eBook Recommendations from Workshop Manual Hatz 1b20 Engine
 - Personalized Recommendations
 - Workshop Manual Hatz 1b20 Engine User Reviews and Ratings
 - Workshop Manual Hatz 1b20 Engine and Bestseller Lists

5. Accessing Workshop Manual Hatz 1b20 Engine Free and Paid eBooks
 - Workshop Manual Hatz 1b20 Engine Public Domain eBooks
 - Workshop Manual Hatz 1b20 Engine eBook Subscription Services
 - Workshop Manual Hatz 1b20 Engine Budget-Friendly Options
6. Navigating Workshop Manual Hatz 1b20 Engine eBook Formats
 - ePub, PDF, MOBI, and More
 - Workshop Manual Hatz 1b20 Engine Compatibility with Devices
 - Workshop Manual Hatz 1b20 Engine Enhanced eBook Features
7. Enhancing Your Reading Experience
 - Adjustable Fonts and Text Sizes of Workshop Manual Hatz 1b20 Engine
 - Highlighting and Note-Taking Workshop Manual Hatz 1b20 Engine
 - Interactive Elements Workshop Manual Hatz 1b20 Engine
8. Staying Engaged with Workshop Manual Hatz 1b20 Engine
 - Joining Online Reading Communities
 - Participating in Virtual Book Clubs
 - Following Authors and Publishers Workshop Manual Hatz 1b20 Engine
9. Balancing eBooks and Physical Books Workshop Manual Hatz 1b20 Engine
 - Benefits of a Digital Library
 - Creating a Diverse Reading Collection Workshop Manual Hatz 1b20 Engine
10. Overcoming Reading Challenges
 - Dealing with Digital Eye Strain
 - Minimizing Distractions
 - Managing Screen Time
11. Cultivating a Reading Routine Workshop Manual Hatz 1b20 Engine
 - Setting Reading Goals Workshop Manual Hatz 1b20 Engine
 - Carving Out Dedicated Reading Time
12. Sourcing Reliable Information of Workshop Manual Hatz 1b20 Engine
 - Fact-Checking eBook Content of Workshop Manual Hatz 1b20 Engine
 - Distinguishing Credible Sources
13. Promoting Lifelong Learning

- Utilizing eBooks for Skill Development
 - Exploring Educational eBooks
14. Embracing eBook Trends
- Integration of Multimedia Elements
 - Interactive and Gamified eBooks

Workshop Manual Hatz 1b20 Engine Introduction

Workshop Manual Hatz 1b20 Engine Offers over 60,000 free eBooks, including many classics that are in the public domain. Open Library: Provides access to over 1 million free eBooks, including classic literature and contemporary works. Workshop Manual Hatz 1b20 Engine Offers a vast collection of books, some of which are available for free as PDF downloads, particularly older books in the public domain. Workshop Manual Hatz 1b20 Engine : This website hosts a vast collection of scientific articles, books, and textbooks. While it operates in a legal gray area due to copyright issues, its a popular resource for finding various publications. Internet Archive for Workshop Manual Hatz 1b20 Engine : Has an extensive collection of digital content, including books, articles, videos, and more. It has a massive library of free downloadable books. Free-eBooks Workshop Manual Hatz 1b20 Engine Offers a diverse range of free eBooks across various genres. Workshop Manual Hatz 1b20 Engine Focuses mainly on educational books, textbooks, and business books. It offers free PDF downloads for educational purposes. Workshop Manual Hatz 1b20 Engine Provides a large selection of free eBooks in different genres, which are available for download in various formats, including PDF. Finding specific Workshop Manual Hatz 1b20 Engine, especially related to Workshop Manual Hatz 1b20 Engine, might be challenging as theyre often artistic creations rather than practical blueprints. However, you can explore the following steps to search for or create your own Online Searches: Look for websites, forums, or blogs dedicated to Workshop Manual Hatz 1b20 Engine, Sometimes enthusiasts share their designs or concepts in PDF format. Books and Magazines Some Workshop Manual Hatz 1b20 Engine books or magazines might include. Look for these in online stores or libraries. Remember that while Workshop Manual Hatz 1b20 Engine, sharing copyrighted material without permission is not legal. Always ensure youre either creating your own or obtaining them from legitimate sources that allow sharing and downloading. Library Check if your local library offers eBook lending services. Many libraries have digital catalogs where you can borrow Workshop Manual Hatz 1b20 Engine eBooks for free, including popular titles. Online Retailers: Websites like Amazon, Google Books, or Apple Books often sell eBooks. Sometimes, authors or publishers offer promotions or free periods for certain books. Authors Website Occasionally, authors provide excerpts or short stories for free on their websites. While this might not be the Workshop Manual Hatz 1b20 Engine full book , it can give you a taste of the authors writing style. Subscription Services Platforms like Kindle Unlimited or Scribd offer subscription-based

access to a wide range of Workshop Manual Hatz 1b20 Engine eBooks, including some popular titles.

FAQs About Workshop Manual Hatz 1b20 Engine Books

How do I know which eBook platform is the best for me? Finding the best eBook platform depends on your reading preferences and device compatibility. Research different platforms, read user reviews, and explore their features before making a choice. Are free eBooks of good quality? Yes, many reputable platforms offer high-quality free eBooks, including classics and public domain works. However, make sure to verify the source to ensure the eBook credibility. Can I read eBooks without an eReader? Absolutely! Most eBook platforms offer web-based readers or mobile apps that allow you to read eBooks on your computer, tablet, or smartphone. How do I avoid digital eye strain while reading eBooks? To prevent digital eye strain, take regular breaks, adjust the font size and background color, and ensure proper lighting while reading eBooks. What the advantage of interactive eBooks? Interactive eBooks incorporate multimedia elements, quizzes, and activities, enhancing the reader engagement and providing a more immersive learning experience. Workshop Manual Hatz 1b20 Engine is one of the best book in our library for free trial. We provide copy of Workshop Manual Hatz 1b20 Engine in digital format, so the resources that you find are reliable. There are also many Ebooks of related with Workshop Manual Hatz 1b20 Engine. Where to download Workshop Manual Hatz 1b20 Engine online for free? Are you looking for Workshop Manual Hatz 1b20 Engine PDF? This is definitely going to save you time and cash in something you should think about.

Find Workshop Manual Hatz 1b20 Engine :

todesstall ken reklov ebook

tom clancy commander in chief a jack ryan novel

toms river a story of science and salvation

to comfort always to comfort always

~~to kill a mockingbird harperperennial modern classics by harper lee summary & analysis~~

~~tomasi data communications instructor manual~~

tokheim console manual

tod cosimo paul ernst ebook

todos los hombres del führer la elite del nacionalismo 1919 1945 ensayo historia

~~to kill a mockingbird shmoop study guide~~

[tony ballard neue abenteuer seelen stalker ebook](#)

tohatsu mfs6bs manual

titan ii a history of a cold war missile program

tony attwood

to all the girls ive loved before god

Workshop Manual Hatz 1b20 Engine :

list of indian films of 2023 wikipedia - Oct 12 2021

web the new indian express 21 june 2023 the 300 crore worldwide films post pandemic across india box office india 25 may 2023 varisu is now vijay s highest grossing

[only blue films sell in pandemic economy a review of](#) - Dec 26 2022

web set in the heart of lower assam bulu film presents a gripping narration of how rural india was impacted by the lockdown that followed the outbreak of the covid 19 pandemic

best blue movies imdb - Jan 27 2023

web blue is the warmest colour 2013 nc 17 180 min drama romance 7 7 rate 90 metascore adèle s life is changed when she meets emma a young woman with blue

7 best sex movies of 2021 most anticipated sexy films of 2021 - Sep 03 2023

web from malcolm marie to annette these are the best sex movies that have come out in 2021

blue movie wikipedia - Sep 22 2022

web blue a 1993 film by derek jarman blue a 2001 japanese film by hiroshi ando blue a 2009 bollywood film by anthony d souza books blue movie a 1970 book of the 1969

[25 sexy movies on netflix november 2023 parade](#) - Dec 14 2021

web nov 1 2023 netflix is cranking up the heat things are positively sizzling on the streaming service for this list of the sexiest movies now on netflix we re including erotically

the 10 sexiest movies on netflix right now cinemablend - Mar 17 2022

web blue is the warmest color is a film filled with graphic lesbian sex scenes but the most important thing about the movie is the love story between adele adèle exarchopoulos

blue film nigerian nollywood movies naijapals - Apr 17 2022

web watch blue film videos on naijapals i m looking for a husband marriage dey hungry me 14 year old actress mercy kenneth nigerians made us give speedy approval

the 50 best sexy movies of the 21st century indiewire - Jul 01 2023

web our list of the 50 best sexy movies of this century is an international affair with films originating from around the globe from the biggest studio projects to the smallest

13 best sex movies of 2020 top new hottest films of the - Feb 13 2022

web birds of prey birds of prey trailer 1 2020 movieclips trailers watch on again we re not casting judgment but there s a very particular kind of person who is attracted to

film blue semi seks jepang korea thailand subtitle indonesia - Oct 24 2022

web film blue online semi terbaru tanpa seks vulgar koleksi lk ganool terlengkap di asia

blue movie youtube - May 31 2023

web the world s first blue film movie the world s first blue film movie

2020 uncut web series 18 movies aagmaal com - Oct 04 2023

web 2020 uncut web series 18 movies newest best most viewed longest random casting life s01e02 2020 hindi hot web series cliffmovies 21798 33 noorie

hot blue films free download and software reviews cnet - Feb 25 2023

web hot blue films watch you ll enjoy all films just download this hot blue films for free get a great experience with this here are some more movie categories that we added in

30 sexy movies on hulu you can watch in 2022 self - Mar 29 2023

web below we ve found a wealth of hot movies that are well worth checking out no matter what you re looking for you can also browse our list of sexy movies on netflix for even more

blue movies streaming where to watch movie online justwatch - Jun 19 2022

web upcoming comedy movies where is blue movies streaming find out where to watch online amongst 45 services including netflix hulu prime video

68 sexiest movies of all time esquire - Nov 12 2021

web deadly illusions deadly illusions trailer 2021 kristin davis greer grammer movie deadly illusions follows the life of mary morrison a novelist and mother when mary

hot bollywood indian movies names list top 10 18 bollywood - Jul 21 2022

web 1 hate story 4 written by sammeer arora and directed by vishal pandya hate story 4 tops bollywood adults movie list 2017 it is an erotic thriller film that features urvashi rautela

blue movies streaming where to watch movie online justwatch - May 19 2022

web where is blue movies streaming find out where to watch online amongst 15 services including netflix hotstar hooq

steamy movies netflix official site - Jan 15 2022

web steamy movies is it just us or is it getting a little hot in here from hollywood to bollywood to independent romances our steamy movie collection turns up the temperature

any hot blue film stage gapinc com - Aug 22 2022

web any hot blue film 3 3 and media he traces the evolution of a new media ecology through deep historical analyses of the japanese film industry from the 1960s to the 2000s

10 sexiest movies of 2022 esquire - Nov 24 2022

web x trailer 2022 jenna ortega kid cudi brittany snow watch on one of the breakout films of this year s sxsw showcase x is a rural set texas horror about the 70s porn industry

blue film youtube - Apr 29 2023

web la blue film è una società di produzione e distribuzione cinematografica e televisiva nasce a roma nel settembre del 2001 e realizza lungometraggi cortometraggi film

100 sexiest movies of all time rotten tomatoes - Aug 02 2023

web recently we ve added 365 days malcolm marie the newness deep water and the voyeurs whatever your definition and if you need even more see the 200 best and

the education of a golfer english edition edición kindle - Nov 27 2022

web the education of a golfer english edition ebook snead sam scott carter scott carter amazon com mx tienda kindle

the education of a golfer 1962 edition open library - Dec 29 2022

web the education of a golfer by sam snead 1962 cassell edition in english it looks like you re offline donate Čeština cs an edition of the education of a golfer 1962 the education of a golfer by sam snead 0 ratings 0 want to

the education of a golfer english edition versión kindle - May 22 2022

web lee ahora en digital con la aplicación gratuita kindle

the driven golfer home - Mar 20 2022

web michael wolf certified master teaching professional has been playing golf for 46 years and teaching professionally for over 34 years he has given over 30 000 golf lessons author of the driven golfer building your method for scratch golf harvey penick award winner 2016 top instructor u s world golf teachers federation

the education of a golfer amazon com - Oct 07 2023

web may 8 2023 the education of a golfer paperback may 8 2023 the education of a golfer first published in 1962 is the fascinating story of legendary golf pro sam snead s rise from a poor boy growing up in rural virginia to become one of the all time golf greats

amazon fr commentaires en ligne the education of a golfer english - Apr 20 2022

web découvrez des commentaires utiles de client et des classements de commentaires pour the education of a golfer english edition sur amazon fr lisez des commentaires honnêtes et non biaisés sur les produits de la part nos utilisateurs

the education of a golfer by sam snead open library - Jan 30 2023

web the education of a golfer by sam snead 1962 simon and schuster edition in english

the education of a golfer by sam snead goodreads - Feb 28 2023

web jan 1 2016 sam writes about how his elder brother s golfing drew him into the game swinging big shots came from sheer practice and at the age of seven sam had a hole in one window at the local church with a knack for hunting the outdoor kid tried to earn dimes and nickels hard money in the depression of the 1930s

the education of a golfer hardcover 1 jan 1962 amazon co uk - May 02 2023

web buy the education of a golfer first edition by snead sam burt silverman isbn 9780671219451 from amazon s book store everyday low prices and free delivery on eligible orders

the education of a golfer first edition abebooks - Jul 24 2022

web hardcover silverman burt illustrator 1st edition green and yellow boards with blue writing along the spine and blue graphic on the front board first edition very much a behind the scenes and in the know book the education of a golfer goes miles beyond the normal sort of golf strokes teaching

the education of a golfer english edition kindle ausgabe amazon de - Jun 03 2023

web the education of a golfer by snead and scott carter was a little different for a start it s an autobiography written in the blue ridge language of the hillbilly boy who became the most prolific professional tournament winner in the history of the game

the education of a golfer sam snead al stump google books - Aug 05 2023

web sep 22 2016 createspace independent publishing platform sep 22 2016 256 pages the education of a golfer first published in 1962 is the fascinating story of legendary golf pro sam snead s rise from a

the education of a golfer english edition formato kindle - Jun 22 2022

web the education of a golfer english edition ebook snead sam scott carter scott carter amazon it kindle store

fake nudes of real students cause an uproar at a new jersey high school - Feb 16 2022

web by julie jargon nov 2 2023 7 00 am et listen 2 min when girls at westfield high school in new jersey found out boys were sharing nude photos of them in group chats they were shocked and

the education of a golfer paperback 8 may 2023 amazon co uk - Sep 06 2023

web may 8 2023 buy the education of a golfer by snead sam stump al silverman burt isbn 9781951682828 from amazon s

book store everyday low prices and free delivery on eligible orders

the education of a golfer english edition kindle edition amazon de - Jul 04 2023

web may 4 2009 the education of a golfer english edition ebook snead sam scott carter scott carter amazon de kindle store
a golfer s education amazon com - Oct 27 2022

web oct 26 2001 a golfer s education hardcover october 26 2001 darren kilfara s scheme to study abroad at st andrews university in scotland allegedly to write a thesis on the history of golf was foolproof he would enroll at the school go to a couple of classes earn a year s worth of university credit and become eligible for a year long student

the education of a golfer english edition ebook kindle - Aug 25 2022

web compre the education of a golfer english edition de snead sam scott carter scott carter na amazon com br confira também os ebooks mais vendidos lançamentos e livros digitais exclusivos

the education of a golfer abebooks - Sep 25 2022

web a golfer s education by darren kilfara and a great selection of related books art and collectibles available now at abebooks com g p putnam s sons nd c1998 1st edition boards hard cover very slightly cocked o w near fine with dj 262 pp tall 8vo rreveals a side of the tour that isn t often heard about the real life nitty

the education of a golfer kindle edition amazon com - Apr 01 2023

web may 24 2009 swinging big shots came from sheer practice and at the age of seven sam had a hole in one window at the local church with a knack for hunting the outdoor kid tried to earn dimes and nickels hard money in the depression of the 1930s caddying for local golfers almost gets sam killed but the kid hung on to golf

edexcel gce history a2 unit 3 e2 a world divided superpower relations - Jul 07 2023

web edexcel gce history edexcel gce history a2 added your basket get in touch edexcel gce history a2 unit 3 e2 a world divided superpower relations 1944 90 part of edexcel gce history product details isbn 9780435308124 availability reprinting production date july 2009

resources covering pearson edexcel international advanced level history - Jun 25 2022

web edexcel a level history paper 3 mass media and social change in britain 1882 2004 student book and activebook june 2016 isbn 9781447985402 4 a changing society 1964 90 edexcel gce history as unit 2 e2 mass media popular culture social change in britain since 1945 ch 3 6 and 8 9 isbn 9781846905063 edexcel a level

edexcel gce history a world divided superpower relations - Feb 02 2023

web this title presents edexcel s own course for gce history edexcel gce history is a brand new series for as and a2 which is tailored to edexcel s new exam specification for 2008 packed full of exam tips and activities students can be sure they will develop all the historical skills and understanding they need

edexcel gce history a2 unit 3 e2 a world divided stuvia - Jan 01 2023

web view all 4 summaries of edexcel gce history a2 unit 3 e2 a world divided written by steve phillips discover your study material at stuvia

edexcel gce history a2 unit 3 e2 a world divided s - Mar 23 2022

web 2 edexcel gce history a2 unit 3 e2 a world divided s 2019 09 18 the exam makes revision of the content manageable by condensing topics into easy to revise chunks encourages active revision by closely combining content with a variety of different activities helps improve exam technique through tailor made activities and plenty of guidance on

edexcel gcse history past papers a2 level level revision world - Oct 30 2022

web unit 3 modern world source enquiry option 3b war and transformation of british society c1931 1951 5ha03 3b download paper download mark scheme unit 3 modern world source enquiry option 3c a divided union

edexcel gce history a2 unit 3 e2 a world divided amazon de - May 25 2022

web edexcel gce history a2 unit 3 e2 a world divided superpower relations 1944 90 phillips steve isbn 9780435308124 kostenloser versand für alle bücher mit versand und verkauf duch amazon

edexcel gce history a2 unit 3 e2 a world divided superpower - Sep 28 2022

web empikplace marketplace książka edexcel gce history a2 unit 3 e2 a world divided superpower relations 1944 90 autorstwa phillips steve dostępna w sklepie empik com w cenie 154 56 zł przeczytaj recenzję edexcel gce history a2 unit 3 e2 a world divided superpower relations 1944 90

edexcel gce history a2 unit 3 e2 a world divided amazon es - Aug 28 2022

web edexcel gce history a2 unit 3 e2 a world divided superpower relations 1944 90 phillips steve amazon es libros *student support materials for history edexcel a2 unit 3 option e2* - Jun 06 2023

web may 28 2012 a world divided superpower relations 1944 90 covers all the content and skills your students will need for their edexcel a2 unit 3 option e2 examination including chapter 1 controversy a why did the cold war between the superpowers emerge in the years to 1953

edexcel gce history a2 unit 3 e2 a world divided superpower - Apr 04 2023

web jul 3 2009 edexcel gce history a2 unit 3 e2 a world divided superpower relations 1944 90 phillips steve amazon de books

edexcel gce history a2 unit 3 e2 a world divided superpower - Jul 27 2022

web buy edexcel gce history a2 unit 3 e2 a world divided superpower relations 1944 90 by steve phillips editor online at alibris we have new and used copies available in 1 editions starting at 3 30 shop now

edexcel a2 unit 3 option e2 a world divided superpowe - May 05 2023

web feb 1 2012 3 83 6 ratings0 reviews enable students to succeed in their exam with superpower relations this study aid contains the key information that students need for edexcel history a2 unit 3 option e2 clearly laid out with examiners and essential notes

edexcel gce history a2 unit 3 e2 a world divided s copy - Oct 10 2023

web edexcel gce history a2 unit 3 e2 a world divided s title edexcel gce history a2 unit 3 e2 a world divided s copy ead3 archivists org subject edexcel gce history a2 unit 3 e2 a world divided s copy created date 10 22 2023 10 06 47 pm

edexcel a2 unit 3 option e2 a world divided superpower - Sep 09 2023

web this study aid contains the key information that students need for edexcel history a2 unit 3 option e2 clearly laid out with examiners and essential notes also included are graded

edexcel gcse history past papers gcse 9 1 exam paper - Apr 23 2022

web unit 2 schools history project depth study option2c germany c1918 c1945 5hb02 2c edexcel gcse history b edexcel gcse past papers june 2016 5hb history b schools history project unit 3 schools history project source enquiry option 3a the transformation of surgery c1845 c1918 5hb03 3a q a edexcel gcse

edexcel gce history a2 unit 3 e2 a world divided superpower - Nov 30 2022

web summary edexcel gce history is a brand new series for as and a2 which is tailored to edexcel s exam specification for 2008 edexcel gce history a2 unit 3 e2 a world divided superpower relations 1944 90 summary edexcel gce history a2 unit 3 e2 a world divided superpower relations 1944 90 by steve phillips

edexcel gce history a2 unit 3 e2 a world divided superpower - Mar 03 2023

web edexcel gce history a2 unit 3 e2 a world divided superpower relations 1944 90 23 19 19 71 author steve phillips author s steve phillips isbn 13 9780435308124 isbn 10 0435308122 edition publisher pearson education limited publication date 13 jul 09 format paperback pages 224

edexcel gce history a2 unit 3 e2 a world divided s yearbook - Feb 19 2022

web edexcel gce history a2 unit 3 e2 a world divided s reviewing edexcel gce history a2 unit 3 e2 a world divided s unlocking the spellbinding force of linguistics in a fast paced world fueled by information and interconnectivity the spellbinding force of linguistics has acquired newfound prominence

edexcel gce history a world divided superpower relations 1944 90 - Aug 08 2023

web buy edexcel gce history a world divided superpower relations 1944 90 1 by phillips steve isbn 9780435308124 from amazon s book store everyday low prices and free delivery on eligible orders edexcel gce history a world divided superpower relations 1944 90 amazon co uk phillips steve 9780435308124 books