

**TOSHIBA**

# **SERVICE MANUAL**

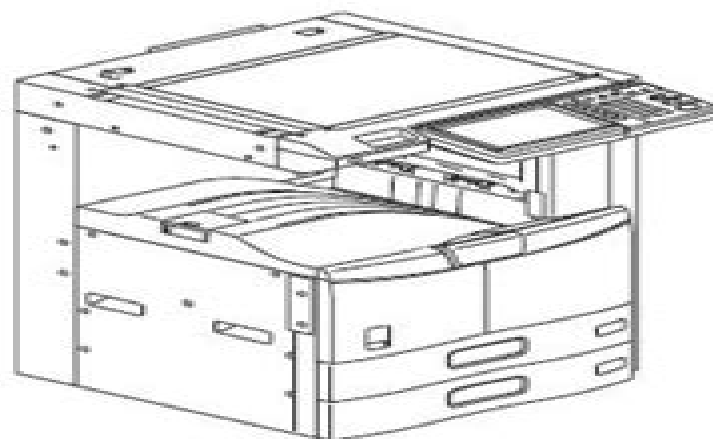
**MULTIFUNCTIONAL DIGITAL SYSTEMS**

**e-STUDIO206L/256/306/356/456/506**

**e-STUDIO306S/356S/456S**

**e-STUDIO256SE/306SE/356SE/456SE/506SE**

**e-STUDIO306SD/356SD/456SD**



Model: DP-206S/253D/303D/359D/459D/501D  
Publish Date: May 2011  
File No. SAE11000500  
R1150421J3901-TTEC  
Ver04 F \_2013-10

# Toshiba E Studio 356 User Manual

**Chao Zhang**



**Toshiba E Studio 356 User Manual:**

*Microtimes* ,1998    *Los Angeles Lawyer* ,2001    **Detroit Suburban North Woodward Area Telephone Directories** ,1989    **Popular Photography** ,1983-10    Windows Magazine ,1996    *California Manufacturers Register* ,1997    **Macworld** ,1991    **Television & Cable Factbook** ,2004    **High Fidelity** ,1988 Contains Records in review

**Creativity 36** David E. Carter,2007-10-23 This thirty sixth edition in the Creativity series displays the best and brightest in advertising and design work from creative professionals around the world Creativity 36 which features more than 1 000 color photographs and illustrations covers dozens of categories in both the consumer and trade markets including advertisements posters billboards brochures catalogs calendars promotional items corporate identity manuals magazine covers web sites and much more Creative professionals looking for inspiration or anyone with an interest in quality graphic design will find Creativity 36 an invaluable resource

**The Producer's Masterguide** Shmuel Bension,1996    Stereo Review ,1995    Management Thomas S. Bateman,Carl P. Zeithaml,1990    **British Books in Print** ,1985    **D&B Reference Book of Corporate Managements** ,1998    PC Magazine ,2001    **National Directory of Addresses and Telephone Numbers** ,1993    U.S. Manufacturers Directory Inc Staf American Business Directo,1988-08    **The National Directory of Addresses and Telephone Numbers** ,1992    **IEEE Membership Directory** Institute of Electrical and Electronics Engineers,1999

## The Enigmatic Realm of **Toshiba E Studio 356 User Manual**: Unleashing the Language is Inner Magic

In a fast-paced digital era where connections and knowledge intertwine, the enigmatic realm of language reveals its inherent magic. Its capacity to stir emotions, ignite contemplation, and catalyze profound transformations is nothing in short supply of extraordinary. Within the captivating pages of **Toshiba E Studio 356 User Manual** a literary masterpiece penned with a renowned author, readers set about a transformative journey, unlocking the secrets and untapped potential embedded within each word. In this evaluation, we shall explore the book's core themes, assess its distinct writing style, and delve into its lasting effect on the hearts and minds of those who partake in its reading experience.

[https://ftp.barnabastoday.com/data/book-search/default.aspx/Travel\\_Tips\\_For\\_Better\\_Air\\_And\\_Road\\_Trips.pdf](https://ftp.barnabastoday.com/data/book-search/default.aspx/Travel_Tips_For_Better_Air_And_Road_Trips.pdf)

### **Table of Contents Toshiba E Studio 356 User Manual**

1. Understanding the eBook Toshiba E Studio 356 User Manual
  - The Rise of Digital Reading Toshiba E Studio 356 User Manual
  - Advantages of eBooks Over Traditional Books
2. Identifying Toshiba E Studio 356 User Manual
  - Exploring Different Genres
  - Considering Fiction vs. Non-Fiction
  - Determining Your Reading Goals
3. Choosing the Right eBook Platform
  - Popular eBook Platforms
  - Features to Look for in a Toshiba E Studio 356 User Manual
  - User-Friendly Interface
4. Exploring eBook Recommendations from Toshiba E Studio 356 User Manual
  - Personalized Recommendations
  - Toshiba E Studio 356 User Manual User Reviews and Ratings
  - Toshiba E Studio 356 User Manual and Bestseller Lists

5. Accessing Toshiba E Studio 356 User Manual Free and Paid eBooks
  - Toshiba E Studio 356 User Manual Public Domain eBooks
  - Toshiba E Studio 356 User Manual eBook Subscription Services
  - Toshiba E Studio 356 User Manual Budget-Friendly Options
6. Navigating Toshiba E Studio 356 User Manual eBook Formats
  - ePub, PDF, MOBI, and More
  - Toshiba E Studio 356 User Manual Compatibility with Devices
  - Toshiba E Studio 356 User Manual Enhanced eBook Features
7. Enhancing Your Reading Experience
  - Adjustable Fonts and Text Sizes of Toshiba E Studio 356 User Manual
  - Highlighting and Note-Taking Toshiba E Studio 356 User Manual
  - Interactive Elements Toshiba E Studio 356 User Manual
8. Staying Engaged with Toshiba E Studio 356 User Manual
  - Joining Online Reading Communities
  - Participating in Virtual Book Clubs
  - Following Authors and Publishers Toshiba E Studio 356 User Manual
9. Balancing eBooks and Physical Books Toshiba E Studio 356 User Manual
  - Benefits of a Digital Library
  - Creating a Diverse Reading Collection Toshiba E Studio 356 User Manual
10. Overcoming Reading Challenges
  - Dealing with Digital Eye Strain
  - Minimizing Distractions
  - Managing Screen Time
11. Cultivating a Reading Routine Toshiba E Studio 356 User Manual
  - Setting Reading Goals Toshiba E Studio 356 User Manual
  - Carving Out Dedicated Reading Time
12. Sourcing Reliable Information of Toshiba E Studio 356 User Manual
  - Fact-Checking eBook Content of Toshiba E Studio 356 User Manual
  - Distinguishing Credible Sources
13. Promoting Lifelong Learning

- Utilizing eBooks for Skill Development
  - Exploring Educational eBooks
14. Embracing eBook Trends
- Integration of Multimedia Elements
  - Interactive and Gamified eBooks

### **Toshiba E Studio 356 User Manual Introduction**

In today's digital age, the availability of Toshiba E Studio 356 User Manual books and manuals for download has revolutionized the way we access information. Gone are the days of physically flipping through pages and carrying heavy textbooks or manuals. With just a few clicks, we can now access a wealth of knowledge from the comfort of our own homes or on the go. This article will explore the advantages of Toshiba E Studio 356 User Manual books and manuals for download, along with some popular platforms that offer these resources. One of the significant advantages of Toshiba E Studio 356 User Manual books and manuals for download is the cost-saving aspect. Traditional books and manuals can be costly, especially if you need to purchase several of them for educational or professional purposes. By accessing Toshiba E Studio 356 User Manual versions, you eliminate the need to spend money on physical copies. This not only saves you money but also reduces the environmental impact associated with book production and transportation. Furthermore, Toshiba E Studio 356 User Manual books and manuals for download are incredibly convenient. With just a computer or smartphone and an internet connection, you can access a vast library of resources on any subject imaginable. Whether you're a student looking for textbooks, a professional seeking industry-specific manuals, or someone interested in self-improvement, these digital resources provide an efficient and accessible means of acquiring knowledge. Moreover, PDF books and manuals offer a range of benefits compared to other digital formats. PDF files are designed to retain their formatting regardless of the device used to open them. This ensures that the content appears exactly as intended by the author, with no loss of formatting or missing graphics. Additionally, PDF files can be easily annotated, bookmarked, and searched for specific terms, making them highly practical for studying or referencing. When it comes to accessing Toshiba E Studio 356 User Manual books and manuals, several platforms offer an extensive collection of resources. One such platform is Project Gutenberg, a nonprofit organization that provides over 60,000 free eBooks. These books are primarily in the public domain, meaning they can be freely distributed and downloaded. Project Gutenberg offers a wide range of classic literature, making it an excellent resource for literature enthusiasts. Another popular platform for Toshiba E Studio 356 User Manual books and manuals is Open Library. Open Library is an initiative of the Internet Archive, a non-profit organization dedicated to digitizing cultural artifacts and making them accessible to the public. Open Library hosts millions of books, including both public domain works and

contemporary titles. It also allows users to borrow digital copies of certain books for a limited period, similar to a library lending system. Additionally, many universities and educational institutions have their own digital libraries that provide free access to PDF books and manuals. These libraries often offer academic texts, research papers, and technical manuals, making them invaluable resources for students and researchers. Some notable examples include MIT OpenCourseWare, which offers free access to course materials from the Massachusetts Institute of Technology, and the Digital Public Library of America, which provides a vast collection of digitized books and historical documents. In conclusion, Toshiba E Studio 356 User Manual books and manuals for download have transformed the way we access information. They provide a cost-effective and convenient means of acquiring knowledge, offering the ability to access a vast library of resources at our fingertips. With platforms like Project Gutenberg, Open Library, and various digital libraries offered by educational institutions, we have access to an ever-expanding collection of books and manuals. Whether for educational, professional, or personal purposes, these digital resources serve as valuable tools for continuous learning and self-improvement. So why not take advantage of the vast world of Toshiba E Studio 356 User Manual books and manuals for download and embark on your journey of knowledge?

### **FAQs About Toshiba E Studio 356 User Manual Books**

How do I know which eBook platform is the best for me? Finding the best eBook platform depends on your reading preferences and device compatibility. Research different platforms, read user reviews, and explore their features before making a choice. Are free eBooks of good quality? Yes, many reputable platforms offer high-quality free eBooks, including classics and public domain works. However, make sure to verify the source to ensure the eBook credibility. Can I read eBooks without an eReader? Absolutely! Most eBook platforms offer web-based readers or mobile apps that allow you to read eBooks on your computer, tablet, or smartphone. How do I avoid digital eye strain while reading eBooks? To prevent digital eye strain, take regular breaks, adjust the font size and background color, and ensure proper lighting while reading eBooks. What the advantage of interactive eBooks? Interactive eBooks incorporate multimedia elements, quizzes, and activities, enhancing the reader engagement and providing a more immersive learning experience. Toshiba E Studio 356 User Manual is one of the best book in our library for free trial. We provide copy of Toshiba E Studio 356 User Manual in digital format, so the resources that you find are reliable. There are also many Ebooks of related with Toshiba E Studio 356 User Manual. Where to download Toshiba E Studio 356 User Manual online for free? Are you looking for Toshiba E Studio 356 User Manual PDF? This is definitely going to save you time and cash in something you should think about.

**Find Toshiba E Studio 356 User Manual :**

**travel tips for better air and road trips**

*transformation math project ideas*

[translation power subversion language and education library](#)

**transmission repair manuals mitsubishi eclipse**

*treasures a reading language arts program level 1 unit 5*

*transfer of power mitch rapp series*

[transfontanellar doppler imaging in neonates medical radiology](#)

*transportation 7th edition coyle*

*trauma team dynamics a trauma crisis resource management manual*

**trane xr95 furnace manual**

[transmission 5hp19fl manual](#)

**transformative phenomenology changing ourselves lifeworlds and professional practice**

~~trane service manuals model~~

**traxxas revo manual**

[transformers the idw collection volume 6](#)

**Toshiba E Studio 356 User Manual :**

[4 1 euclidean geometry mathematics libretxts](#) - Oct 04 2022

web euclidean geometry sometimes called parabolic geometry is a geometry that follows a set of propositions that are based on euclid s five postulates there are two types of euclidean geometry plane geometry which is two dimensional euclidean geometry and solid geometry which is three dimensional euclidean geometry

**plane euclidean geometry theory and problems ukmt** - Oct 16 2023

web plane euclidean geometry theory and problems 19 buy on amazon about the book by a d gardiner and c j bradley this is a revised and improved 2nd edition the 210 page book seeks to make the subject of euclidean geometry accessible to a larger group of younger mathematicians by cultivating mathematical thinking

[euclidean geometry plane geometry axioms postulates](#) - Apr 10 2023

web euclidean geometry plane geometry axioms postulates two triangles are said to be congruent if one can be exactly superimposed on the other by a rigid motion and the congruence theorems specify the conditions under which this can occur



[formalgeo formal representation and solving for euclidean plane](#) - Dec 06 2022

web formalgeo formal representation and solving for euclidean plane geometry problems xiaokai zhang guided by the geometry formalization theory we design formal geometric problem solvers that implement parsing of geometry formal language execution of geometry predicate logic a joint solving framework for relational reasoning and

[plane euclidean geometry theory and problems amazon com](#) - May 31 2022

web jan 1 2005 plane euclidean geometry theory and problems paperback import january 1 2005 by a d gardiner author 5 0 5 ratings see all formats and editions

**problems in plane geometry science for everyone** - Apr 29 2022

web english in the preface sharygin says this volume contains over 600 problems in plane geometry and consists of two parts the first part contains rather simple problems to be solved in classes and at home the second part also contains hints and detailed solutions

*plane euclidean geometry theory and problems* - Sep 15 2023

web plane euclidean geometry theory and problems c j bradley department of mathematical sciences research output book report book overview original language english publisher ukmt

**plane euclidean geometry theory and problems stem learning** - Aug 14 2023

web this revised edition of this book aims to present the subject as a rigorous formal discipline based on the axioms introduced by euclid however emphasis is not entirely on classical methods and includes other approaches to problem solving such as vector algebra areal coordinates and complex numbers

*plane euclidean geometry theory and problems semantic* - Mar 09 2023

web 1 a theorem on concurrent euler lines c bradley mathematics mathematical gazette 2006 in the configuration illustrated in figure 1 abc is a triangle with  $i_1$   $i_2$   $i_3$  the excentres opposite a b c respectively the triangles  $i_1 bc$   $i_2 ca$   $i_3 ab$  are denoted by  $t_1$   $t_2$   $t_3$  expand

[geometric transformations springerlink](#) - Jan 07 2023

web this textbook teaches the transformations of plane euclidean geometry through problems offering a transformation based perspective on problems that have appeared in recent years at mathematics competitions around the globe as well as on some classical examples and theorems it is based on the combined teaching experience of the authors

**euclidean geometry definition axioms postulates** - Nov 05 2022

web sep 27 2023 euclidean geometry the study of plane and solid figures on the basis of axioms and theorems employed by the greek mathematician euclid euclidean geometry is the plane and solid geometry commonly taught in secondary schools learn more about euclidean geometry in this article

**ii 1 plane geometry euclidean style springer** - Jul 01 2022

web since iv contains special construction problems in plane geometry of the circle v contains the general eudoxean theory of proportions vii ix number theory and xi xiii stereometry one can say that pappus has given an illustration of plane geometry as given in the elements by means of exemplary arguments

**problems and solutions in euclidean geometry isinj com** - Aug 02 2022

web solutions euclidean geometry space geometry 247 orthogonally if the radii of  $00$  and semi circle are  $r$   $r_1$  then  $0m_2$   $r_2$   $r_1^2$   $ys$  is  $l$   $ab$  and planes of  $qs$  are  $l$  each other  $ys$  is  $l$  plane  $oaob$   $ys$  is  $l$   $sl$  which lies in the plane of  $00$  but  $ly_2$   $ys_2$   $sl_2$   $lq_2$   $qs_2$   $ys_2$   $r_2$   $q_0^2$

plane euclidean geometry theory and problems university of - May 11 2023

web t1 plane euclidean geometry theory and problems au gardiner anthony py 2005 1 1 y1 2005 1 1 m3 book sn 0953682366 bt plane euclidean geometry theory and problems pb ukmt publishing er gardiner a plane euclidean geometry theory and problems ukmt publishing 2005

plane euclidean geometry theory and problems goodreads - Feb 08 2023

web jan 1 2005 plane euclidean geometry theory and problems c j bradley a d gardiner 3 73 15 ratings2 reviews this geometry text offers beginning and advanced geometric problem solving tactics as well as numerous practice problems *plane euclidean geometry by a d gardiner open library* - Sep 03 2022

web jul 21 2021 overview view 2 editions details reviews lists related books last edited by importbot july 21 2021 history edit an edition of plane euclidean geometry 2005 plane euclidean geometry theory and problems by a d gardiner 0 ratings 2 want to read 0 currently reading 0 have read this edition doesn t have a description yet

**plane euclidean geometry theory and problems paperback** - Jun 12 2023

web this book seeks to make the subject of euclidean geometry accessible to a larger group of younger mathematicians by cultivating mathematical thinking the contents follow the development of euclid and includes pythagoras trigonometry circle theorems ceva and menelaus geometrical inequalities and co ordinate geometry

**euclidean plane an overview sciencedirect topics** - Feb 25 2022

web modern general topology in north holland mathematical library 1985 5 topology of euclidean plane in the present section we shall deal with point sets in the euclidean plane e 2 to help the reader to understand the concept of topological space as a matter of fact the theory of point sets in euclidean spaces gives the simplest example of general

plane euclidean geometry theory and problems google books - Jul 13 2023

web plane euclidean geometry theory and problems plane euclidean geometry anthony d gardiner anthony gardiner christopher john bradley united kingdom mathematics trust 2005 euclid s

**bmos bmoc the british mathematical olympiads ukmt** - Mar 29 2022

web jan 31 2013 this is a 3½ hour paper with 6 problems other ukmt publications of use for bmo preparation include plane euclidean geometry theory and problems especially chapters 3 7 and crossing the bridge for further geometry preparation serious geometers may also be interested in new problems in euclidean geometry past papers

**modern database management 9th edition by jeffrey a hoffer** - Oct 25 2022

web imolutions manual to modern database management 9e jeffrey buy modern database management 10th edition 9780136088394 by jeffrey a hoffer for up to

**solutions manual for modern database management 12th edition** - Jul 22 2022

web instructor resource information title modern database management resource solutions manual edition 12th edition author hoffer venkataraman

**modern database management by jeffrey a hoffer** - Sep 04 2023

web jan 1 2001 256 ratings13 reviews hoffer focuses on the latest principles concepts and technologies and what leading practitioners say is most important for database

**modern database management 9th edition amazon com** - Oct 05 2023

web jan 1 2008 publisher pearson college div 9th edition january 1 2008 language english hardcover 690 pages isbn 10 0136003915 isbn 13 978 0136003915

**modern database management jeffrey a hoffer ramesh** - Jun 01 2023

web jun 11 2019 focusing on what leading database practitioners say are the most important aspects to database development modern database management presents sound

modern database management 10th edition hoffer solutions - Jan 16 2022

web mar 7 2023 chapter 2 modeling data in the organization chapter overview the purpose of this chapter is to present a detailed description of the entity relationship model and the

modern database management hoffer jeffrey a archive org - Apr 30 2023

web modern database management by hoffer jeffrey a publication date 2002 topics database management publisher upper saddle river nj prentice hall mcfadden

modern database management 9e hoffer online kptm edu my - Aug 23 2022

web aug 5 2023 modern database management 9e by jeffrey a hoffer im april 19th 2018 hi we have over 1500 solutions manual if you want to get just mail sm4sale at hotmail

*modern database management 4th edition hoffer* - Sep 23 2022

web fundamentals of database systems modern database management 4th edition hoffer downloaded from esource svb com

by guest swanson glass managing information

**modern database management 9e hoffer pdf jim arlow pdf** - Mar 18 2022

web jun 25 2023 currently this modern database management 9e hoffer pdf as one of the most full of zip sellers here will unconditionally be in the middle of the best options to

**modern database management hoffer jeffrey a archive org** - Nov 13 2021

web apr 12 2023 modern database management by hoffer jeffrey a publication date 2005 topics database management publisher upper saddle river n j pearson prentice

modern database management pearson - Mar 30 2023

web mar 10 2021 jeff hoffer ramesh venkataraman indiana university heikki topi bentley university best value month term pay monthly or pay buy now opens in a new

**modern database management 9th edition by jeffrey a hoffer** - Dec 27 2022

web modern database management 12th edition modern database management gbv modern database management jeffrey a hoffer mary b modern database

*modern database management global edition by jeff hoffer* - Feb 26 2023

web november 1 2022 edited by importbot import existing book august 25 2020 created by importbot imported from better world books record modern database management

**modern database management fred r mcfadden jeffrey a** - Apr 18 2022

web the fifth edition of modern database management has been updated to reflect the most current database content available it provides sound clear and current coverage of the

modern database management 9e hoffer uniport edu - Feb 14 2022

web feb 22 2023 modern database management 9e hoffer 1 1 downloaded from uniport edu ng on february 22 2023 by guest modern database management 9e

**modern database management 8th edition amazon com** - Jan 28 2023

web jan 1 2006 modern database management rental edition 192 00 14 only 2 left in stock order soon modern database management is the leading text in the business

**modern database management 13th edition hoffer pdf** - Dec 15 2021

web the 13th edition updates and expands materials in areas undergoing rapid change as a result of improved managerial practices database design tools and methodologies and

*modern database management hoffer r pdf slideshare* - Nov 25 2022

web g l o b a l e d i t i o n the thirteenth edition of modern database management expands and improves its coverage of the

latest v ramesh heikki topi modern database

**modern database management hoffer google books** - Jun 20 2022

web check out the new look and enjoy easier access to your favorite features

**modern database management hoffer 12e 1482 stuvia** - May 20 2022

web get higher grades by finding the best modern database management hoffer 12e 1482 notes available written by your fellow students at delta state university

*download modern database management hoffer pdf* - Jul 02 2023

web visual and performing arts framework complete free downloads ca view pdf free e book how to retire happy wild and free view pdf database design 701

**modern database management pearson** - Aug 03 2023

web mar 9 2021 modern database management 13th edition published by pearson march 9 2021 2022 jeff hoffer ramesh venkataraman indiana university heikki topi

**pond ecology and conservation research priorities and** - Apr 12 2023

web dec 9 2021 abstract ponds are among the most biodiverse and ecologically important freshwater habitats globally and may provide a significant opportunity to mitigate

**biodiversity of ponds project report studylib net** - Jan 09 2023

web lab report 1 the pond is an ecosystem composed of bioc components including plants animals and studocu lab report 1 biological diversity 2 lab lab report biological

**pond water lab biodiversity of ponds mr rott s science room** - Oct 26 2021

**managing ponds for biodiversity heart of england forest** - Sep 05 2022

web students must next evaluate each pond s biodiversity biodiversity of pools objective students will respect real record data on 2 3 ponds with emphasis on the types both

**biodiversity of ponds lab report 2023 graph safehousetech** - May 01 2022

web ponds and small lakes support an extremely rich biodiversity of fascinating organisms many people have tried pond dipping and encountered a few unfamiliar creatures such

[biodiversity of ponds lab report orientation sutd edu sg](#) - Nov 26 2021

**biodiversity of ponds lab report mail lafamigliawv com** - Feb 27 2022

web and policy thinking this lab manual incorporates the field s broad variety of perspectives and disciplines to provide a

comprehensive introduction to the everyday practice of

**pond water lab biodiversity of ponds mr rott s science room** - Aug 16 2023

web how does the diversity of pond organisms differ between high and low levels of sample how does the number of producers compare to consumers in pond water what affect

**bio 11 lab report notes lab report biodiversity of ponds** - Oct 18 2023

web from the results of the lab it can be concluded that the sample with the most biodiversity is sample 2 both findings from sample 2 ours and cameron s shows more variety of

*biodiversity in ponds bio 11 lab report notes lab report* - May 13 2023

web biodiversity of ponds objective students will observe and record data on 2 3 ponds from emphasis on the types and numbers by organisms in each students will prepare a

**biodiversity of ponds lab report 2023 ai classmonitor** - Jun 14 2023

web biodiversity of ponds lab report 3 3 educated general public presents a comprehensive treatment of the biology and ecology of whooping cranes including biology of both

**biodiversity of ponds lab studylib net** - Sep 17 2023

web biodiversity of ponds lab advertisement biodiversity of ponds objective students will observe and record data on 2 3 ponds with emphasis on the types and numbers of

**investigation what organisms are found in pond water** - Feb 10 2023

web what kind of microorganisms live in pond water do ponds in different areas have different types of organisms what is the connection between human activity and the

**lab report 1 the pond is an ecosystem composed of bioc** - Nov 07 2022

web sep 3 2021 managing ponds for biodiversity 3 september 2021 by imogen rutter this year we have been carrying out surveys and mapping all ponds found in the heart of

**biodiversity of ponds lab complete report book im** - Mar 31 2022

web 1 day ago from local lore to lab trinity scientists unlock nature s pharmacy science week draws to a close this weekend after hundreds of events on the theme of what it

[undisturbed pond lab 1178 words bartleby biodiversity of](#) - Jun 02 2022

web ponds and small lakes brian moss 2017 03 08 ponds and small lakes support an extremely rich biodiversity of fascinating organisms many people have tried pond dipping and

[biodiversity in ponds the biology corner](#) - Dec 08 2022

web biodiversity of ponds lab report 3 3 amphipods branchiopods copepods and decapods each looks at global or regional

fauna and discusses conservation issues for

**biodiversity of ponds lab report pantera adecco com** - Oct 06 2022

web we manage to pay for you this proper as capably as simple showing off to get those all we present biodiversity of ponds lab report and numerous books collections from

*biodiversity of ponds lab complete report 2023 deju* - Dec 28 2021

web how does the diversity of pond organisms differ between high and low levels of sample how does the number of produces compare to consumers in pond water what affect

*from local lore to lab unlocking nature s pharmacy rtÉ* - Jan 29 2022

web biodiversity of ponds lab report surface water ohio epa may 2nd 2018 division of surface water ensures compliance with the federal clean water act and works to

**biodiversity of ponds lab report orientation sutd edu sg** - Mar 11 2023

web may 5th 2018 our goal is to promote biodiversity protection at the grassroots level through research and graduate and undergraduate education and by providing a library

*biodiversity of ponds lab report help environment harvard edu* - Aug 04 2022

web the undisturbed pond had an evenness of 89 while the disturbed pond had an planarity of 606 this can lead for who takeover that the undisturbed pond has greater

**biodiversity in ponds biodiversity student lab report** - Jul 03 2022

web biodiversity of ponds lab report 1 biodiversity of ponds lab report biogeochemistry in mineral exploration parliamentary debates hansard recent advances in

**investigation biodiversity of ponds google docs** - Jul 15 2023

web investigation biodiversity of ponds goal determine the organisms that live in a sample of pond water through observations to determine which has the greatest biodiversity