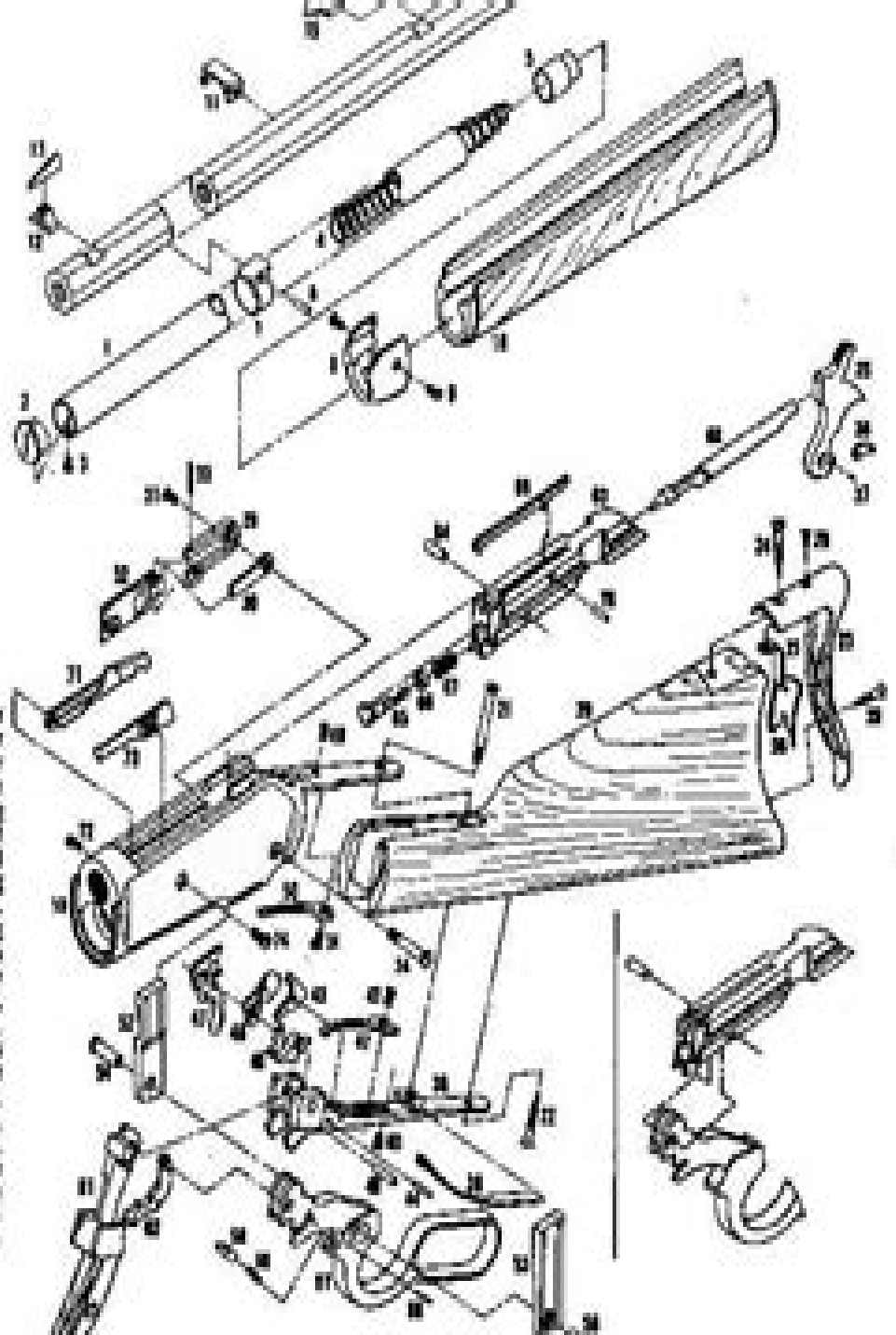


- 4. Barrel and Top
- 5. Ring and Top and Bottom Screws (2)
- 6. Ring and
- 7. Ring and Top
- 8. Ring and Top
- 9. Ring and Top
- 10. Ring and Top
- 11. Ring and Top
- 12. Ring and Top
- 13. Ring and Top
- 14. Ring and Top
- 15. Ring and Top
- 16. Ring and Top
- 17. Ring and Top
- 18. Ring and Top
- 19. Ring and Top
- 20. Ring and Top
- 21. Ring and Top
- 22. Ring and Top
- 23. Ring and Top
- 24. Ring and Top

- 25. Ring and Top
- 26. Ring and Top
- 27. Ring and Top
- 28. Ring and Top
- 29. Ring and Top
- 30. Ring and Top
- 31. Ring and Top
- 32. Ring and Top
- 33. Ring and Top
- 34. Ring and Top
- 35. Ring and Top
- 36. Ring and Top
- 37. Ring and Top
- 38. Ring and Top
- 39. Ring and Top
- 40. Ring and Top
- 41. Ring and Top
- 42. Ring and Top
- 43. Ring and Top
- 44. Ring and Top
- 45. Ring and Top

- 46. Ring and Top
- 47. Ring and Top
- 48. Ring and Top
- 49. Ring and Top
- 50. Ring and Top
- 51. Ring and Top
- 52. Ring and Top
- 53. Ring and Top
- 54. Ring and Top
- 55. Ring and Top
- 56. Ring and Top
- 57. Ring and Top
- 58. Ring and Top
- 59. Ring and Top
- 60. Ring and Top
- 61. Ring and Top
- 62. Ring and Top
- 63. Ring and Top
- 64. Ring and Top
- 65. Ring and Top
- 66. Ring and Top

WINCHESTER MODEL 1886



Disassembly—To remove magazine (1), take out mag. mag. plug (2) by removing mag. ring screw (3), fit out mag. spring (4) and follower (5). Press mag. ring pin (6) from ring (7). Pull forward muzzle to remove mag. tube. Remove ring by turning to right or left. Remove tube and top (8) by removing two fore-and-aft screws (9). Remove the tube and (10). Press out fore-and-aft top (11). Remove front sight base (12) and front sight (13). Remove rear sight elevator (14), rear sight (15) and elevation wheel (16) by turning elevation leaf screw (17). Remove barrel (18) from receiver (19). To disassemble stock (20), remove upper (21) and lower (22) tang screws. Remove buttplate (23) by removing the upper (24) and lower (25) buttplate screw. Remove buttplate side (26) by removing (27) slide spring screw (28).

Assembly of the receiver consists of removing spring cover base (29) and spring (30) by removing screw (31). To remove spring cover leaf (32), draw out the leaf and lower pin (33). Remove receiver screw (34) and all forearm (35). Slip up (36), and remove pin (37) set into the upper tang forearm side. The lower tang (38) drops down and out with a self trigger assembly which includes the mainspring (39), mainspring tension screw (40), rear and trigger

spring (41), rear and trigger spring screw (42), rear catch (43), rear catch pin (44), rear (45), lockoff for self trigger (46), trigger (47), and the trigger, rear and lockoff pin (48). Remove carrier stop leader screw (49). Remove carrier stop (50) by removing stop screw (51). Pull down finger lever (52) and using two screwdrivers, remove the right and left head locking bolts (53) and (54) by unscrewing finger lever pin (54) and turning pin screw (55). Remove finger lever pin bushing (56), pull locking bolts down and out. The finger lever has a friction stud (58), friction stud spring (59), removed by drawing out friction stud pin (58). The finger lever, carrier (64) and carrier lock (62) are interlocking. Drop finger lever down until breechblock (63) is locked out of receiver for amount to drive out the lever and breechblock pin (64). Pull breechblock, ejector (65), ejector roller (66), ejector spring (67), firing pin (68), extractor (69) and extractor pin (70), out of the receiver as one assembly. Disassemble the breechblock in numbered sequence as shown on drawing. Remove cartridge guide (71) by removing guide screw (72). Remove slide stop (73) by removing slide stop screw (74).

For assembly, reverse the above procedure.

Winchester Model 1907 Instruction Manual

Michael Rajnik



Winchester Model 1907 Instruction Manual:

The American Rifle Townsend Whelen,1918 **Officers' Manual** James Alfred Moss,1909 *The Bulb Horn* ,1960
Technical Manual United States. War Department, Poseidon's Progress Iver P. Cooper,2024-05-21 Nautical travel and shipboard living have evolved to be both safer and more comfortable for passengers and crewmembers While some of these improvements have come about through sheer trial and error others are the result of a careful analysis of problems followed by finding and implementing scientific solutions This book with a unique problem solution format examines the challenges of life at sea and how they have been ameliorated It covers topics such as ventilation healthy food and drink sleeping quarters sanitation facilities internal and external lighting seaworthiness and survival of maritime disasters man overboard shipwreck fire and contagious disease The text traces the history of the various attempts to address the difficulties of life on the water from a scientific engineering and legal perspective **Outdoor Life Shooting Book** Jack O'Connor,1963 **Hunters Shooting Guide** Co Stackpole,1991-12-12 *Willing's Press Guide* ,1924 Coverage of publications outside the UK and in non English languages expands steadily until in 1991 it occupies enough of the Guide to require publication in parts The Rifle in America Philip Burdette Sharpe,1958 *American Book Publishing Record Cumulative, 1876-1949* R.R. Bowker Company. Department of Bibliography,1980

Unveiling the Magic of Words: A Report on "**Winchester Model 1907 Instruction Manual**"

In a global defined by information and interconnectivity, the enchanting power of words has acquired unparalleled significance. Their ability to kindle emotions, provoke contemplation, and ignite transformative change is really awe-inspiring. Enter the realm of "**Winchester Model 1907 Instruction Manual**," a mesmerizing literary masterpiece penned by a distinguished author, guiding readers on a profound journey to unravel the secrets and potential hidden within every word. In this critique, we shall delve into the book's central themes, examine its distinctive writing style, and assess its profound effect on the souls of its readers.

https://ftp.barnabastoday.com/public/detail/index.jsp/Zaha_Hadid_Bauten_Projekte_Design_Das_Gesamtwerk_19782008.pdf

Table of Contents Winchester Model 1907 Instruction Manual

1. Understanding the eBook Winchester Model 1907 Instruction Manual
 - The Rise of Digital Reading Winchester Model 1907 Instruction Manual
 - Advantages of eBooks Over Traditional Books
2. Identifying Winchester Model 1907 Instruction Manual
 - Exploring Different Genres
 - Considering Fiction vs. Non-Fiction
 - Determining Your Reading Goals
3. Choosing the Right eBook Platform
 - Popular eBook Platforms
 - Features to Look for in an Winchester Model 1907 Instruction Manual
 - User-Friendly Interface
4. Exploring eBook Recommendations from Winchester Model 1907 Instruction Manual
 - Personalized Recommendations
 - Winchester Model 1907 Instruction Manual User Reviews and Ratings
 - Winchester Model 1907 Instruction Manual and Bestseller Lists

5. Accessing Winchester Model 1907 Instruction Manual Free and Paid eBooks
 - Winchester Model 1907 Instruction Manual Public Domain eBooks
 - Winchester Model 1907 Instruction Manual eBook Subscription Services
 - Winchester Model 1907 Instruction Manual Budget-Friendly Options
6. Navigating Winchester Model 1907 Instruction Manual eBook Formats
 - ePub, PDF, MOBI, and More
 - Winchester Model 1907 Instruction Manual Compatibility with Devices
 - Winchester Model 1907 Instruction Manual Enhanced eBook Features
7. Enhancing Your Reading Experience
 - Adjustable Fonts and Text Sizes of Winchester Model 1907 Instruction Manual
 - Highlighting and Note-Taking Winchester Model 1907 Instruction Manual
 - Interactive Elements Winchester Model 1907 Instruction Manual
8. Staying Engaged with Winchester Model 1907 Instruction Manual
 - Joining Online Reading Communities
 - Participating in Virtual Book Clubs
 - Following Authors and Publishers Winchester Model 1907 Instruction Manual
9. Balancing eBooks and Physical Books Winchester Model 1907 Instruction Manual
 - Benefits of a Digital Library
 - Creating a Diverse Reading Collection Winchester Model 1907 Instruction Manual
10. Overcoming Reading Challenges
 - Dealing with Digital Eye Strain
 - Minimizing Distractions
 - Managing Screen Time
11. Cultivating a Reading Routine Winchester Model 1907 Instruction Manual
 - Setting Reading Goals Winchester Model 1907 Instruction Manual
 - Carving Out Dedicated Reading Time
12. Sourcing Reliable Information of Winchester Model 1907 Instruction Manual
 - Fact-Checking eBook Content of Winchester Model 1907 Instruction Manual
 - Distinguishing Credible Sources
13. Promoting Lifelong Learning

- Utilizing eBooks for Skill Development
 - Exploring Educational eBooks
14. Embracing eBook Trends
- Integration of Multimedia Elements
 - Interactive and Gamified eBooks

Winchester Model 1907 Instruction Manual Introduction

Free PDF Books and Manuals for Download: Unlocking Knowledge at Your Fingertips In today's fast-paced digital age, obtaining valuable knowledge has become easier than ever. Thanks to the internet, a vast array of books and manuals are now available for free download in PDF format. Whether you are a student, professional, or simply an avid reader, this treasure trove of downloadable resources offers a wealth of information, conveniently accessible anytime, anywhere. The advent of online libraries and platforms dedicated to sharing knowledge has revolutionized the way we consume information. No longer confined to physical libraries or bookstores, readers can now access an extensive collection of digital books and manuals with just a few clicks. These resources, available in PDF, Microsoft Word, and PowerPoint formats, cater to a wide range of interests, including literature, technology, science, history, and much more. One notable platform where you can explore and download free Winchester Model 1907 Instruction Manual PDF books and manuals is the internet's largest free library. Hosted online, this catalog compiles a vast assortment of documents, making it a veritable goldmine of knowledge. With its easy-to-use website interface and customizable PDF generator, this platform offers a user-friendly experience, allowing individuals to effortlessly navigate and access the information they seek. The availability of free PDF books and manuals on this platform demonstrates its commitment to democratizing education and empowering individuals with the tools needed to succeed in their chosen fields. It allows anyone, regardless of their background or financial limitations, to expand their horizons and gain insights from experts in various disciplines. One of the most significant advantages of downloading PDF books and manuals lies in their portability. Unlike physical copies, digital books can be stored and carried on a single device, such as a tablet or smartphone, saving valuable space and weight. This convenience makes it possible for readers to have their entire library at their fingertips, whether they are commuting, traveling, or simply enjoying a lazy afternoon at home. Additionally, digital files are easily searchable, enabling readers to locate specific information within seconds. With a few keystrokes, users can search for keywords, topics, or phrases, making research and finding relevant information a breeze. This efficiency saves time and effort, streamlining the learning process and allowing individuals to focus on extracting the information they need. Furthermore, the availability of free PDF books and manuals fosters a culture of continuous learning. By removing financial barriers, more people can access educational resources and pursue lifelong

learning, contributing to personal growth and professional development. This democratization of knowledge promotes intellectual curiosity and empowers individuals to become lifelong learners, promoting progress and innovation in various fields. It is worth noting that while accessing free Winchester Model 1907 Instruction Manual PDF books and manuals is convenient and cost-effective, it is vital to respect copyright laws and intellectual property rights. Platforms offering free downloads often operate within legal boundaries, ensuring that the materials they provide are either in the public domain or authorized for distribution. By adhering to copyright laws, users can enjoy the benefits of free access to knowledge while supporting the authors and publishers who make these resources available. In conclusion, the availability of Winchester Model 1907 Instruction Manual free PDF books and manuals for download has revolutionized the way we access and consume knowledge. With just a few clicks, individuals can explore a vast collection of resources across different disciplines, all free of charge. This accessibility empowers individuals to become lifelong learners, contributing to personal growth, professional development, and the advancement of society as a whole. So why not unlock a world of knowledge today? Start exploring the vast sea of free PDF books and manuals waiting to be discovered right at your fingertips.

FAQs About Winchester Model 1907 Instruction Manual Books

How do I know which eBook platform is the best for me? Finding the best eBook platform depends on your reading preferences and device compatibility. Research different platforms, read user reviews, and explore their features before making a choice. Are free eBooks of good quality? Yes, many reputable platforms offer high-quality free eBooks, including classics and public domain works. However, make sure to verify the source to ensure the eBook credibility. Can I read eBooks without an eReader? Absolutely! Most eBook platforms offer web-based readers or mobile apps that allow you to read eBooks on your computer, tablet, or smartphone. How do I avoid digital eye strain while reading eBooks? To prevent digital eye strain, take regular breaks, adjust the font size and background color, and ensure proper lighting while reading eBooks. What the advantage of interactive eBooks? Interactive eBooks incorporate multimedia elements, quizzes, and activities, enhancing the reader engagement and providing a more immersive learning experience. Winchester Model 1907 Instruction Manual is one of the best book in our library for free trial. We provide copy of Winchester Model 1907 Instruction Manual in digital format, so the resources that you find are reliable. There are also many Ebooks of related with Winchester Model 1907 Instruction Manual. Where to download Winchester Model 1907 Instruction Manual online for free? Are you looking for Winchester Model 1907 Instruction Manual PDF? This is definitely going to save you time and cash in something you should think about.

Find Winchester Model 1907 Instruction Manual :

zaha hadid bauten projekte design das gesamtwerk 19782008

zeitgeschichten linkes wort volksstimmefest 2014

young rover john h amory

young adult books to read

your essential revision guide mrcog

zebra 110xi manual

zebra 4m plus manual

zechariah 9 14 and malachi 1995 a commentary the old testament library

youtube downloader guide

you sexy mother the journal

youth baseball commitment letter

yukon slt manuals

zeichnungen grosser meister vom mittelalter bis zur gegenwart

yz250f engine manual

zand vincke and verstuyft

Winchester Model 1907 Instruction Manual :

internet explorer 6 download - Apr 12 2023

web jul 12 2023 internet explorer 6 is the set of core web browsing technologies in windows xp these core technologies have recently been updated as part of windows xp service pack 2 sp2 with advanced security technologies

internet explorer indir gezginler - Jan 09 2023

web dec 1 2016 internet explorer 11 indir hem hızlı hem de akıcı windows 8 ve windows rt nin gücünden tam olarak yararlanmak için tasarlanan internet explorer 11 siteleri neredeyse anında başlatır ve yükler web e yepyeni akıcı bir

internet explorer wikipedia - Jan 29 2022

web internet explorer internet explorer a formerly microsoft internet explorer b and windows internet explorer c commonly abbreviated as ie or msie is a deprecated 6 or discontinued for most modern windows editions series of graphical web browsers developed by microsoft that were used in the windows line of operating systems

internet explorer 6 bitir bitirebilirsen chip online - Nov 07 2022

web aug 21 2009 internet explorer 8 hızlı ve güvenli ancak çoğunlukla ie6 ya devam diyor en son yapılan araştırmalara göre dünya üzerindeki bütün internet kullanıcılarının yüzde 27'si ie6 kullanıyor ie7 yüzde 23,1 kullanım oranıyla ikinci ie8 ise yüzde 12,5 ile ikisinin de gerisinde kalıyor

internet explorer 6 - Aug 04 2022

web comments designed for older computers and computers running older operating systems internet explorer 6 lets you explore the web and visit all your favorite sites with ease as long as you have an internet browser and an internet connection you can

internet explorer microsoft download center - May 13 2023

web sadece windows 7 için internet explorer 11 64 bit internet explorer kullanımdan kaldırılmıştır ve 15 haziran 2022 tarihi itibarıyla artık desteklenmemektedir ziyaret ettiğiniz herhangi bir site internet explorer gerektirirse siteyi microsoft edge de ie modunda yeniden yükleyebilirsiniz

download windows xp için internet explorer 6 güvenlik - Dec 08 2022

web jun 15 2022 internet explorer 11 son kullanım tarihi 15 06 2022 kullandığımız bir site için ie gerekirse daha hızlı ve modern microsoft edge tarayıcısında ie moduyla siteye gidebilirsiniz microsoft edge kullanın windows xp için internet explorer 6 güvenlik güncelleştirmesi kb2797052

internet explorer 6 wikiwand - Feb 10 2023

web internet explorer 6 ie6 microsoft tarafından geliştirilen internet explorer web tarayıcısının 6 sürümüdür ağustos 2001 yılında sunuldu 1999 yılında tanıtılmış olan internet explorer 5 in yerini aldı 2006 yılında ise yerini internet explorer 7 aldı

internet explorer vikipedi - Sep 05 2022

web internet explorer 6 27 ağustos 2001 de çıkmıştır kararlı sürümü 5 mayıs 2008 de çıkmıştır kararlı sürümü 6 0 dır internet explorer 7 internet explorer 7 2006 yılında

download internet explorer 6 from official microsoft download center - Aug 16 2023

web jun 15 2022 internet explorer 6 the content you requested has already retired it s available to download on this page important selecting a language below will dynamically change the complete page content to that language select

internet explorer 6 İpuçları chip online - Jul 03 2022

web feb 5 2002 en çok kullanılan web browser internet explorer yeni versiyonu 6 0 ın türkçe sürümü ile karşınızda chip 6 0 ın en önemli fonksiyonlarını sizler için bir araya getiriyor

internet explorer in hangi sürümünü kullanıyorum microsoft - Mar 11 2023

web internet explorer desteği 15 haziran 2022 de sona erdi internet explorer 11 windows 10 un belirli sürümlerinde bir microsoft edge güncelleştirmesi aracılığıyla kalıcı olarak devre dışı bırakıldı

internet explorer 6 vikpedi - Jun 14 2023

web internet explorer 6 ie6 microsoft tarafından geliştirilen internet explorer web tarayıcısının 6 sürümüdür ağustos 2001 yılında sunuldu 1999 yılında tanıtılmış olan internet explorer 5 in yerini aldı 2006 yılında ise yerini internet explorer 7 aldı

windows 10 da internet explorer ı kullanma microsoft desteği - Oct 06 2022

web internet explorer desteği 15 haziran 2022 de sona erdi internet explorer 11 windows 10 nin belirli sürümlerinde bir microsoft edge güncelleştirmesi aracılığıyla kalıcı olarak devre dışı bırakılmıştır

internet explorer downloads microsoft support - Feb 27 2022

web support for internet explorer ended on june 15 2022 internet explorer 11 has been permanently disabled through a microsoft edge update on certain versions of windows 10 if any site you visit needs internet explorer 11 you can reload it with internet explorer mode in microsoft edge

internet explorer microsoft download center - Jun 02 2022

web jun 15 2022 download the fast and fluid browser recommended for windows 7 04 internet explorer 11 32 bit for windows 7 only internet explorer was retired on june 15 2022 ie 11 has been permanently disabled through a microsoft edge update on certain versions of windows 10

internet explorer 6 wikipedia - Jul 15 2023

web internet explorer 6 was the last version to be called microsoft internet explorer the software was rebranded as windows internet explorer starting in 2006 with the release of internet explorer 7 internet explorer 6 is no longer supported and is not available for download from microsoft

internet explorer 6 7 veya 8 deki güvensiz dosya listesi - May 01 2022

web Özet internet explorer 6 7 ve 8 sürümleri shdocvw dll dosyasında kodlanmış bir güvenli olmayan dosya listesi içerir güvensiz dosya listesinin amacı bilgisayarınızda sorunlara neden olabilecek bir dosya türünü yanlışlıkla açmanızı önlemektir

internet explorer 6 nın sonu chip online - Mar 31 2022

web jan 31 2010 microsoft un popüler internet tarayıcısı internet explorer 6 nın sonu geldi İşte dev gelişme

internet explorer 6 service pack 1 kb831167 güncelleştirmesi - Dec 28 2021

web may 5 2004 internet explorer 6 service pack 1 kb831167 güncelleştirmesi indir Ücretsiz ve son sürüm güvenlik güncellemeleri programları indirebilir veya detaylı inceleyebilirsiniz explorer güncelleştirmesi

whisper something sweet amazon com - Sep 04 2022

web may 15 2007 whisper something sweet king bey deatri on amazon com free shipping on qualifying offers whisper something sweet

whisper something sweet □□ □□□□ - Dec 27 2021

web whisper something sweet king bey deatri bookworld services 213 12 37 pap isbn 9781600430114
[whisper something sweet csg noordik 15 2 2012 youtube](#) - Jun 13 2023

web whisper something sweet tijdens popstars voorronde csg noordik vestiging c van renneslaan vocals romi groeninkguitar
jorn belmusic daan wensingprodu

mariah carey whisper something good make it happen dub - Jan 08 2023

web whisper something good babytell me what what you needwhisper something sweet babybaby please baby please
whisper something sweet king bey deatri archive org - Feb 09 2023

web whisper something sweet by king bey deatri publication date 2007 topics african americans fiction chicago ill fiction
publisher mira loma calif parker pub collection inlibrary printdisabled internetarchivebooks contributor internet archive
language english 213 p 22 cm includes group discussion questions

whisper something sweet youtube - Aug 15 2023

web provided to youtube by cygnus music ltdwhisper something sweet jammez demizodiac encrypted soundreleased on 2020
12 11music publisher encrypted sound

whisper something sweet pinterest - Feb 26 2022

web oct 24 2016 explore shanetta nelson s board whisper something sweet followed by 638 people on pinterest see more
ideas about yummy food desserts just desserts

[whisper something sweet by deatri king bey 2007 perfect](#) - Oct 05 2022

web find many great new used options and get the best deals for whisper something sweet by deatri king bey 2007 perfect at
the best online prices at ebay free shipping for many products

[loudon wainwright iii sweet nothings lyrics genius lyrics](#) - Jan 28 2022

web sweet nothings lyrics write me a letter make me feel better take me to dinner make me feel like a winner come on and
whisper sweet nothings in my ear give me a back rub give me a bear hug

whisper something sweet feat demi soundcloud - May 12 2023

web stream whisper something sweet feat demi by jammez on desktop and mobile play over 320 million tracks for free on
soundcloud

whisper something sweet song and lyrics by jammez demi - Apr 11 2023

web listen to whisper something sweet on spotify jammez song 2020

kgale whisper lyrics musixmatch - Jul 02 2022

web lyrics for whisper by kgale uhhh uh uhhh uh uhhh uh uh huh whisper something sweet and ima whisper something too i
fe

[whisper something sweet kindle edition amazon com](#) - Mar 30 2022

web dec 13 2011 whisper something sweet kindle edition by king bey deatri download it once and read it on your kindle device pc phones or tablets use features like bookmarks note taking and highlighting while reading whisper something sweet

whisper something sweet youtube - Mar 10 2023

web provided to youtube by cdbabywhisper something sweet kate wallacekate wallace 1995 honest entertainmentreleased on 1995 01 01auto generated by youtube

more from whisper something sweet low jiosaavn - Apr 30 2022

web whisper something sweet and low song by dixie karas now on jiosaavn english music album whisper something sweet low download song or listen online free only on jiosaavn

[mariah carey whisper lyrics genius lyrics](#) - Jul 14 2023

web may 15 2006 whisper lyrics chorus whisper something good baby tell me what what you need whisper something sweet baby baby please baby please chorus

stream whisper something sweet by sockswithacoffeecup - Dec 07 2022

web stream whisper something sweet by sockswithacoffeecup on desktop and mobile play over 320 million tracks for free on soundcloud

[whisper something sweet low album by dixie karas spotify](#) - Jun 01 2022

web listen to whisper something sweet low on spotify dixie karas album 2008 12 songs

[whisper something sweet song and lyrics by kate wallace](#) - Nov 06 2022

web listen to whisper something sweet on spotify kate wallace song 1995 kate wallace song 1995 listen to whisper something sweet on spotify kate wallace song 1995 sign up log in home search your library create your first playlist it s easy we ll help you

[whisper sweet nothings idioms by the free dictionary](#) - Aug 03 2022

web to murmur words of affection to someone in a flirtatious manner these words may be genuine or less serious my ex boyfriend used to whisper sweet nothings to me and then sneak out with his mistress later at the prom i watched all the couples around me whispering sweet nothings to each other as they danced see also nothing sweet

calendrier 24 heures du mans 1997 motorsport com - Aug 02 2022

web jun 14 1997 calendrier 1997 de 24 heures du mans retrouvez également l actualité les classements et les résultats de 24 heures du mans sur motorsport com

[classement des 24 heures du mans 1997](#) - May 31 2022

web les temps des essais et le classement des 24h du mans 1997 joest récédive les24heures fr historique 24 heures du mans

par année

livre mr lemans tom kristensen - Dec 26 2021

web entre 1997 et 2014 tom kristensen a remporté neuf fois la course automobile la plus difficile au monde les 24 heures du mans un record et est monté sur le podium à cinq autres reprises À chaque fois que sa voiture a atteint l'arrivée il s'est même classé parmi les trois premiers

24 stunden rennen von le mans 1997 wikipedia - Jan 07 2023

web 24 stunden rennen von le mans der 65 e grand prix d'endurance les 24 heures du mans le mans fand vom 14 bis 15 juni 1997 auf dem circuit des 24 heures statt vor dem rennen 1997 herrschte unter den fachleuten kein zweifel dass die gesamtzieger des 24 stunden rennens dieses jahres ein gt1 fahrzeug steuern

24 heures du mans 1997 - Feb 25 2022

web dec 23 2022 les 24 heures du mans autos en photos mentions légales dernière mise à jour 24 heures du mans 1997 24 heures du mans 1997 passion le mans les 24 heures du mans autos en photos english

1997 vidéos 24 heures du mans motorsport com - Jan 15 2021

web petit récapitulatif de la course des 24 heures du mans 1997 vidéos de 24 heures du mans sur motorsport com toutes les séries 39 rue de la saussière 92100 boulogne billancourt france

24h du mans 1997 24 heures du mans - May 11 2023

web classement 24 heures du mans automobile 1997 search results races warmup qualifying tests day 2 3 and 4h of mans history pas de freins carbone lmp875 le mans prototype classe 875 moteur libre maxi 5100 cm3 atmo ou 3000 cm3 turbo mini 875 kg réservoir de 80 litres maxi lxl 465x200 cm roues 16 28 5 lmp650

24 heures du mans il n est plus possible d acheter des billets pour la - Apr 17 2021

web 9 hours ago il n est plus possible d acheter de billets pour assister à la course des 24 heures du mans 2024 depuis hier en deux jours la totalité des billets pour les 15 16 juin ont été vendus il

officiel les 24 heures du mans 2024 à guichets fermés - Jul 21 2021

web 8 hours ago cependant la journée test les essais et l'hyperpole sont toujours disponibles le samedi 15 juin prochain à 16h les 24 heures du mans 4e manche du championnat du monde d'endurance de la

24 heures du mans 1997 24 horas de le mans 1997 full race - Jun 12 2023

web 0 00 58 14 le mans 24 hours 2000 part 1 resumen completo de las 24 horas de le mans de 1997 comentado en francés carrera marcada por ser la primera victoria del 9 veces

24h du mans 1997 essais 2 les24heures fr - Mar 29 2022

web essais des 24h du mans 1997 victorieuse l'an passé la twr porsche du joest racing a signé la meilleure performance peu

avant 21 h00 en 3 41 581 avec alboreto à son volant bien qu'il n'ait qu'une voiture reinhold joest semble confiant on peut en engager deux ou trois et n'en avoir finalement qu'une à l'arrivée nous avons préféré nous concentrer sur

1997 vidéo 24 heures du mans motorsport com - Jan 27 2022

web petit récapitulatif de la course des 24 heures du mans 1997 À propos de cette vidéo durée 03 38 posté 16 juin 2018
séries 24 heures du mans Événement 24 heures du mans catégorie

24 heures du mans wikipédia - Mar 09 2023

web les 24 heures du mans sont une compétition automobile d'endurance d'une durée de 24 heures il y eut un autre décès en 1997 celui de sébastien enjolras sur wr lors des essais préliminaires à la suite de l'envol de sa voiture retombée sur le rail de sécurité

claire lelouch célèbre ses 60 ans de carrière avec un ciné - Feb 13 2021

web nov 11 2023 après le succès de son premier ciné spectacle en 2022 et une nouvelle date réussie à douai 24 heures du mans claire lelouch et kad merad en tournage sur le circuit

2024 24 hours of le mans wikipedia - Nov 24 2021

web the 92nd 24 hours of le mans french 92 e 24 heures du mans is an automobile endurance event that is scheduled to take place on 15 16 june 2024 at the circuit de la sarthe in le mans france the circuit de la sarthe background the 2024 24 hours of le mans will be the 92nd running of the 24 hour race organised by the automobile

24 heures du mans auto 1997 monoli com - Sep 03 2022

web 1997 65ème édition des 24 heures du mans classement final final results classement ranking essais qualifying session photos préqualifications pre qualifying communiqué no1 press release no1 communiqué no2 press release no2 communiqué no3 press release no3

24 heures du mans départ canon pour la billetterie de l msn - Jun 19 2021

web ouverte aux membres du club de l'automobile club de l'ouest depuis le 7 novembre la billetterie des 24 heures du mans rencontre un franc succès avant l'ouverture au public

agenda calendrier 2024 24h le mans - Aug 22 2021

web agenda calendrier 2024 24h le mans agenda calendrier 2024 officiel des 24h du mans une nouvelle photo présentée pour chaque semaine 15 99 prix membre 15 19

1997 24 hours of le mans wikipedia - Sep 15 2023

web index races winners le mans in 1997 the 1997 24 hours of le mans was the 65th grand prix of endurance and took place on 14 and 15 june 1997 the race saw the first of a record as of 2022 9 wins at le mans for danish driver tom kristensen on

1997 24 hours of le mans results and competitors - Aug 14 2023

web 65èmes grand prix d endurance les 24 heures du mans 1997 circuit de la sarthe for posters vintage photographs and other memorabilia of the 1997 le mans race please go here date june 14 15 track length m 13 605 m attendance 170 000 pole position michele alboreto i twr porsche 3 41581 entries 86 76 accepted fastest lap tom

hydrogène aux 24 heures du mans ce ne sera pas avant 2027 - Mar 17 2021

web nov 13 2023 pour pierre fillon président de l aco l arrivée en 2026 de l hydrogène aux 24 heures du mans n est pas réaliste nous devons passer du temps sur la sécurité et c est plus long que ce que nous avons prévu a t il indiqué à endurance info jugeant plus réaliste une introduction en 2027

1997 les 24 heures du mans 1997 youtube - Nov 05 2022

web nov 11 2022 les 24 heures du mans 1997 sont la 65^e édition de l épreuve et se déroulent les 14 et 15 juin 1997 sur le circuit de la sarthe cette édition fait partie de

category 1997 24 hours of le mans wikimedia - Dec 06 2022

web gt2 class winners guy martinolle michel neugarten jean claude lagniez on the podium at the 1997 le mans 51478570516 jpg 1 216 1 908 798 kb guy martinolle throws his hat to the crowd as michel neugarten looks on with jean claude lagniez just hidden from the podium for the gt2 winners at the 1997 le mans 51479493355 jpg 1 937

les 24 heures du mans 2024 déjà à guichets fermés - Sep 22 2021

web 6 hours ago après une édition du centenaire record les 24 heures du mans 2024 ont déjà fait le plein de spectateurs puisqu elles se dérouleront à guichets fermés le succès est plus que jamais au

1997 les 24 heures - Jul 13 2023

web Écrit par thierry chargé samedi 14 juin 1997 16h00 18h00 les 65èmes 24 heures du mans ont débuté sur une piste sèche et malgré le bon départ de la porsche officielle no 25 le prototype twr porsche du joest racing a pris la tête dans le 4ème tour lire la suite 24h du mans 1997 16h 18h

24 heures du mans les billets pour la course vendus en un - Oct 24 2021

web 7 hours ago tous les billets pour le week end des 24 heures du mans sarthe ont été vendus deux jours après l ouverture de la billetterie au grand public c est un record de vitesse ouverte ce

about 1997 24 hours of le mans dbpedia association - Jul 01 2022

web the race saw the first of a record as of 2022 9 wins at le mans for popular danish driver tom kristensen en das 65 24 stunden rennen von le mans der 65e grand prix d endurance les 24 heures du mans auch 24 heures du mans circuit de la sarthe le mans fand vom 14 bis 15 juni 1997 auf dem circuit des 24 heures statt de

24h du mans 1997 16h 18h les 24 heures - Apr 10 2023

web samedi 14 juin 1997 16h00 18h00 les 65èmes 24 heures du mans ont débuté sur une piste sèche et malgré le bon départ

de la porsche officielle no 25 le prototype twr porsche du joest racing a pris la tête dans le 4ème tour devant les gt emmenées par bob wollek pour porsche et eric van de poele pour nissan

24 heures du mans 1997 encyclopédie wikimonde - Dec 14 2020

web 24 heures du mans 1997 date 14 et 15 juin 1997 participants 49 affluence 170 000 spectateurs site s circuit des 24 heures site web officiel 24h lemans com palmarès tenant du titre team joest vainqueur team joest deuxième gulf team davidoff gtc racing troisième team bmw motorsport bmw team schnitzer plus

24h du mans 2024 la billetterie ouvre au grand public msn - May 19 2021

web a compter de ce mercredi 15 novembre à 10 heures tout un chacun a le loisir de solliciter la billetterie des 24 heures du mans afin d assister à la 92e édition prévue du 12 au 16 juin 2024

24 heures du mans 24 heures du mans 1997 motorsport com - Oct 04 2022

web jun 11 1997 tout sur 24 heures du mans 24 heures du mans à circuit de la sarthe le june 11th 1997 actualités photos vidéos résultats et classements sur motorsport com

24 heures du mans calendrier 1997 motorsport com - Apr 29 2022

web jun 14 1997 le calendrier 1997 complet de 24 heures du mans toutes les pages d événements sur motorsport com ne ratez pas une course

24 heures du mans 1997 wikipédia - Oct 16 2023

web les 24 heures du mans 1997 sont la 65 e édition de l épreuve et se déroulent les 14 et 15 juin 1997 sur le circuit de la sarthe cette édition fait partie de celles qui a compté le plus d abandons dans l histoire de l épreuve

24 heures du mans 1997 wikiwand - Feb 08 2023

web les 24 heures du mans 1997 sont la 65e édition de l épreuve et se déroulent les 14 et 15 juin 1997 sur le circuit de la sarthe