

Keyless-entry (if equipped)

Locking operation	Unlocking operation
 <p>Push </p>	 <p>Push ONCE: Driver door THREE: All doors </p>

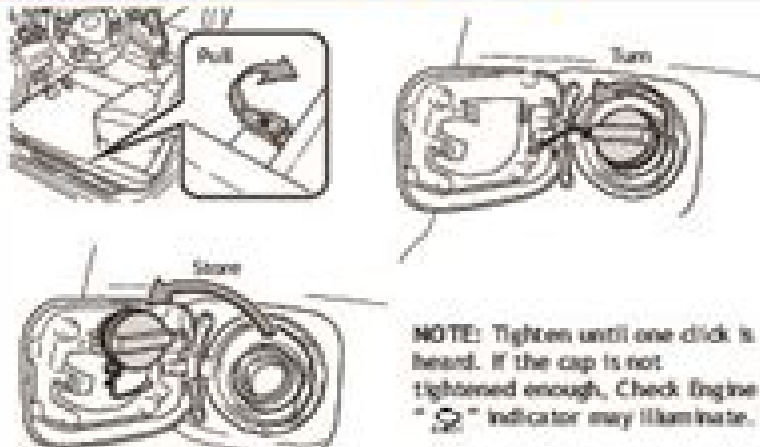
NOTE: If a door is not opened within 60 seconds of unlocking, all doors will relock for safety.


Panic button



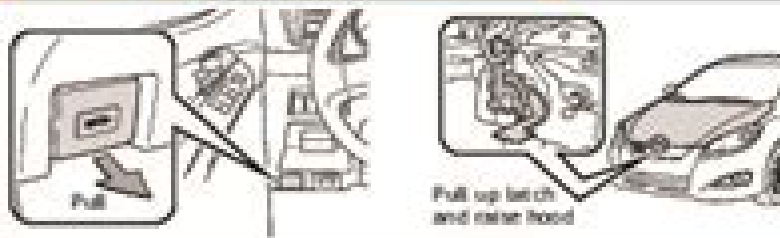
Push and hold 

Fuel tank door release and cap



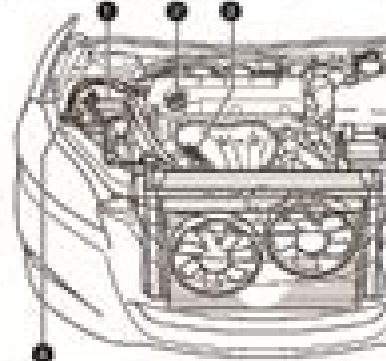
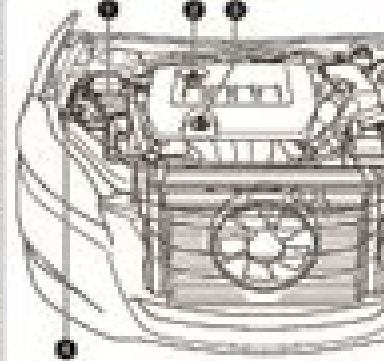
NOTE: Tighten until one click is heard. If the cap is not tightened enough, Check Engine "  " indicator may illuminate.

Hood release



Pull up latch and raise hood

Engine maintenance

4 cylinder (I4-I-E) engine	4 cylinder (I4-D-I-E) engine
	

- 1 Engine coolant reservoir
- 2 Engine oil filler cap
- 3 Engine oil level dipstick
- 4 Windshield washer fluid tank

Note: Regularly scheduled maintenance, including oil changes, will help extend the life of your vehicle and maintain performance. Please refer to the "Owner's Warranty Information Booklet," "Scheduled Maintenance Guide" or "Owner's Manual Supplement."

Toyota Matrix Manual 2009

Phil Edmonston



Toyota Matrix Manual 2009:

Lemon-Aid Used Cars and Trucks 2011-2012 Phil Edmonston, 2011-04-25 As Toyota skids into an ocean of problems and uncertainty continues in the U S automotive industry Lemon Aid Used Cars and Trucks 20112012 shows buyers how to pick the cheapest and most reliable vehicles from the past 30 years Lemon Aid guides are unlike any other car and truck books on the market Phil Edmonston Canada s automotive Dr Phil for 40 years pulls no punches Like five books in one Lemon Aid Used Cars and Trucks is an expos of car scams and gas consumption lies a do it yourself service manual an independent guide that covers beaters lemons and collectibles an archive of secret service bulletins granting free repairs and a legal primer that even lawyers cant beat Phil delivers the goods on free fixes for Chrysler Ford and GM engine transmission brake and paint defects lets you know about Corvette and Mustang tops that fly off gives the lowdown on Honda Hyundai and Toyota engines and transmissions and provides the latest information on computer module glitches **Focus On: 100 Most Popular Compact Cars** Wikipedia contributors, **Lemon-Aid Used Cars and Trucks 2012-2013** Phil Edmonston, 2012-05-19 Lemon Aid guides steer the confused and anxious buyer through the economic meltdown unlike any other car and truck books on the market U S automakers are suddenly awash in profits and South Koreans and Europeans have gained market shares while Honda Nissan and Toyota have curtailed production following the 2011 tsunami in Japan Shortages of Japanese new cars and supplier disruptions will likely push used car prices through the roof well into 2012 so what should a savvy buyer do The all new Lemon Aid Used Cars and Trucks 2012 2013 has the answers including More vehicles rated with some redesigned models that don t perform as well as previous iterations downrated More roof crash worthiness ratings along with an expanded cross border shopping guide A revised summary of safety and performance related defects that are likely to affect rated models More helpful websites listed in the appendix as well as an updated list of the best and worst beaters on the market More secret warranties taken from automaker internal service bulletins and memos than ever Automotive News ,2008 **Focus On: 100 Most Popular Station Wagons** Wikipedia contributors, **Automobile Magazine** ,2008 **The Advocate** ,2008-07 **Diario oficial Mexico**, Business Periodicals Index ,2009 **Toyota Matrix & Pontiac Vibe Automotive Repair Manual** Jay Storer, John Harold Haynes, 2009 Haynes manuals are written specifically for the do it yourselfer yet are complete enough to be used by professional mechanics Since 1960 Haynes has produced manuals written from hands on experience based on a vehicle teardown with hundreds of photos and illustrations making Haynes the world leader in automotive repair information *Euro PM2009 Proceedings, 12th October-14th October 2009, Bella Center, Copenhagen, Denmark* ,2009 Kiplinger's Personal Finance ,2009 **Toyota Matrix & Pontiac Vibe 2003 thru 2011** John Haynes, 2012-09-01 With a Haynes manual you can do it yourself from simple maintenance to basic repairs Haynes writes every book based on a complete teardown of the vehicle We learn the best ways to do a job and that makes it quicker easier and cheaper for you Our books have clear instructions and hundreds of

photographs that show each step Whether you re a beginner or a pro you can save big with Haynes Step by step procedures Easy to follow photos Complete troubleshooting section Valuable short cuts Color spark plug diagnosis Complete coverage for your Toyota Matrix and Pontiac Vibe Haynes Repair Manual for 2003 thru 2011 Routine Maintenance Tune up procedures Engine repair Cooling and heating Air Conditioning Fuel and exhaust Emissions control Ignition Brakes Suspension and steering Electrical systems Wiring diagrams *2009 Toyota Corolla Owner Manual Compatible with OEM Owners Manual, Factory Glovebox Book* Helming,2009-05-20 [Chilton's Toyota Matrix & Pontiac Vibe 2003-2008 Repair Manual](#) Jay Storer,2009 Toyota Matrix 03 thru 08 Pontiac Vibe 03 thru 08 *2003 Toyota Corolla Matrix Repair Manual* Toyota Jidōsha Kabushiki Kaisha,2001 [Toyota Corolla, Matrix and Pontiac Vibe 2003 Thru 2019 Haynes Repair Manual](#) Editors of Haynes Manuals,2020-04-14 Complete step by step repair and maintenance information 700 photos and wiring diagrams all based on a full disassembly and reassembly of the vehicle **2009 Toyota Avalon Owner Manual Compatible with OEM Owners Manual, Factory Glovebox Book** Helming,2008-06-14 **2009 Toyota Tacoma Owner Manual Compatible with OEM Owners Manual, Factory Glovebox Book** Helming,2009-07-07 **2009 Toyota Prius Owner Manual Compatible with OEM Owners Manual, Factory Glovebox Book** Helming,2009-06-08

This is likewise one of the factors by obtaining the soft documents of this **Toyota Matrix Manual 2009** by online. You might not require more get older to spend to go to the ebook start as skillfully as search for them. In some cases, you likewise realize not discover the pronouncement Toyota Matrix Manual 2009 that you are looking for. It will extremely squander the time.

However below, considering you visit this web page, it will be suitably entirely simple to get as with ease as download lead Toyota Matrix Manual 2009

It will not acknowledge many epoch as we accustom before. You can realize it though perform something else at home and even in your workplace. in view of that easy! So, are you question? Just exercise just what we manage to pay for below as well as review **Toyota Matrix Manual 2009** what you in imitation of to read!

<https://ftp.barnabastoday.com/book/virtual-library/index.jsp/topsy%20washington%20monologues%20for%20women.pdf>

Table of Contents Toyota Matrix Manual 2009

1. Understanding the eBook Toyota Matrix Manual 2009
 - The Rise of Digital Reading Toyota Matrix Manual 2009
 - Advantages of eBooks Over Traditional Books
2. Identifying Toyota Matrix Manual 2009
 - Exploring Different Genres
 - Considering Fiction vs. Non-Fiction
 - Determining Your Reading Goals
3. Choosing the Right eBook Platform
 - Popular eBook Platforms
 - Features to Look for in an Toyota Matrix Manual 2009
 - User-Friendly Interface
4. Exploring eBook Recommendations from Toyota Matrix Manual 2009

- Personalized Recommendations
 - Toyota Matrix Manual 2009 User Reviews and Ratings
 - Toyota Matrix Manual 2009 and Bestseller Lists
5. Accessing Toyota Matrix Manual 2009 Free and Paid eBooks
 - Toyota Matrix Manual 2009 Public Domain eBooks
 - Toyota Matrix Manual 2009 eBook Subscription Services
 - Toyota Matrix Manual 2009 Budget-Friendly Options
 6. Navigating Toyota Matrix Manual 2009 eBook Formats
 - ePub, PDF, MOBI, and More
 - Toyota Matrix Manual 2009 Compatibility with Devices
 - Toyota Matrix Manual 2009 Enhanced eBook Features
 7. Enhancing Your Reading Experience
 - Adjustable Fonts and Text Sizes of Toyota Matrix Manual 2009
 - Highlighting and Note-Taking Toyota Matrix Manual 2009
 - Interactive Elements Toyota Matrix Manual 2009
 8. Staying Engaged with Toyota Matrix Manual 2009
 - Joining Online Reading Communities
 - Participating in Virtual Book Clubs
 - Following Authors and Publishers Toyota Matrix Manual 2009
 9. Balancing eBooks and Physical Books Toyota Matrix Manual 2009
 - Benefits of a Digital Library
 - Creating a Diverse Reading Collection Toyota Matrix Manual 2009
 10. Overcoming Reading Challenges
 - Dealing with Digital Eye Strain
 - Minimizing Distractions
 - Managing Screen Time
 11. Cultivating a Reading Routine Toyota Matrix Manual 2009
 - Setting Reading Goals Toyota Matrix Manual 2009
 - Carving Out Dedicated Reading Time
 12. Sourcing Reliable Information of Toyota Matrix Manual 2009

- Fact-Checking eBook Content of Toyota Matrix Manual 2009
 - Distinguishing Credible Sources
13. Promoting Lifelong Learning
- Utilizing eBooks for Skill Development
 - Exploring Educational eBooks
14. Embracing eBook Trends
- Integration of Multimedia Elements
 - Interactive and Gamified eBooks

Toyota Matrix Manual 2009 Introduction

Free PDF Books and Manuals for Download: Unlocking Knowledge at Your Fingertips In today's fast-paced digital age, obtaining valuable knowledge has become easier than ever. Thanks to the internet, a vast array of books and manuals are now available for free download in PDF format. Whether you are a student, professional, or simply an avid reader, this treasure trove of downloadable resources offers a wealth of information, conveniently accessible anytime, anywhere. The advent of online libraries and platforms dedicated to sharing knowledge has revolutionized the way we consume information. No longer confined to physical libraries or bookstores, readers can now access an extensive collection of digital books and manuals with just a few clicks. These resources, available in PDF, Microsoft Word, and PowerPoint formats, cater to a wide range of interests, including literature, technology, science, history, and much more. One notable platform where you can explore and download free Toyota Matrix Manual 2009 PDF books and manuals is the internet's largest free library. Hosted online, this catalog compiles a vast assortment of documents, making it a veritable goldmine of knowledge. With its easy-to-use website interface and customizable PDF generator, this platform offers a user-friendly experience, allowing individuals to effortlessly navigate and access the information they seek. The availability of free PDF books and manuals on this platform demonstrates its commitment to democratizing education and empowering individuals with the tools needed to succeed in their chosen fields. It allows anyone, regardless of their background or financial limitations, to expand their horizons and gain insights from experts in various disciplines. One of the most significant advantages of downloading PDF books and manuals lies in their portability. Unlike physical copies, digital books can be stored and carried on a single device, such as a tablet or smartphone, saving valuable space and weight. This convenience makes it possible for readers to have their entire library at their fingertips, whether they are commuting, traveling, or simply enjoying a lazy afternoon at home. Additionally, digital files are easily searchable, enabling readers to locate specific information within seconds. With a few keystrokes, users can search for keywords, topics, or phrases, making research and finding relevant information a breeze. This efficiency

saves time and effort, streamlining the learning process and allowing individuals to focus on extracting the information they need. Furthermore, the availability of free PDF books and manuals fosters a culture of continuous learning. By removing financial barriers, more people can access educational resources and pursue lifelong learning, contributing to personal growth and professional development. This democratization of knowledge promotes intellectual curiosity and empowers individuals to become lifelong learners, promoting progress and innovation in various fields. It is worth noting that while accessing free Toyota Matrix Manual 2009 PDF books and manuals is convenient and cost-effective, it is vital to respect copyright laws and intellectual property rights. Platforms offering free downloads often operate within legal boundaries, ensuring that the materials they provide are either in the public domain or authorized for distribution. By adhering to copyright laws, users can enjoy the benefits of free access to knowledge while supporting the authors and publishers who make these resources available. In conclusion, the availability of Toyota Matrix Manual 2009 free PDF books and manuals for download has revolutionized the way we access and consume knowledge. With just a few clicks, individuals can explore a vast collection of resources across different disciplines, all free of charge. This accessibility empowers individuals to become lifelong learners, contributing to personal growth, professional development, and the advancement of society as a whole. So why not unlock a world of knowledge today? Start exploring the vast sea of free PDF books and manuals waiting to be discovered right at your fingertips.

FAQs About Toyota Matrix Manual 2009 Books

How do I know which eBook platform is the best for me? Finding the best eBook platform depends on your reading preferences and device compatibility. Research different platforms, read user reviews, and explore their features before making a choice. Are free eBooks of good quality? Yes, many reputable platforms offer high-quality free eBooks, including classics and public domain works. However, make sure to verify the source to ensure the eBook credibility. Can I read eBooks without an eReader? Absolutely! Most eBook platforms offer web-based readers or mobile apps that allow you to read eBooks on your computer, tablet, or smartphone. How do I avoid digital eye strain while reading eBooks? To prevent digital eye strain, take regular breaks, adjust the font size and background color, and ensure proper lighting while reading eBooks. What the advantage of interactive eBooks? Interactive eBooks incorporate multimedia elements, quizzes, and activities, enhancing the reader engagement and providing a more immersive learning experience. Toyota Matrix Manual 2009 is one of the best book in our library for free trial. We provide copy of Toyota Matrix Manual 2009 in digital format, so the resources that you find are reliable. There are also many Ebooks of related with Toyota Matrix Manual 2009. Where to download Toyota Matrix Manual 2009 online for free? Are you looking for Toyota Matrix Manual 2009 PDF? This is definitely going to save you

time and cash in something you should think about.

Find Toyota Matrix Manual 2009 :

topsy washington monologues for women

[toshiba e studio 3530c service manual](#)

[toro lx460 manual](#)

[toro 74360 service manual](#)

top paranormal romance books

[toshiba printer manuals](#)

toshiba e studio 233 service manual

toro sprinkler manuals

toshiba protege laptop service repair manual

[tore milo lars wunder blauen](#)

toshiba 24af41 color tv service manual

topcon instruction manuals

[top natural science 3 invertebrate animals](#)

[tos lathe machinery manual](#)

toronto notes 2014 download

Toyota Matrix Manual 2009 :

Database Systems : Models, Languages, Design and ... Amazon.com: Database Systems : Models, Languages, Design and Application Programming eBook : Elmasri, Ramez, Navathe, Shamkant B.: Kindle Store. Database Systems: Models, Languages, Design, and ... Database Systems: Models, Languages, Design, and Application Programming · Mobile databases, GIS and Genome Databases under emerging applications · Database ... Models, Languages, Design, and Application Programming Database Systems : Models, Languages, Design, and Application Programming by Navathe, Shamkant, Elmasri, Ramez and a great selection of related books, ... Fundamentals of Database Systems Clear explanations of theory and design, broad coverage of models and real systems, and an up-to-date introduction to modern database technologies result in ... Database Systems: Models, Languages,... book by Ramez ... Cover for "Database Systems : Models, Languages, Design, and Application Programming" ... Database Systems: Design, Implementation, and Management. Carlos M ... Database Systems :

Models, Languages, Design, and ... Database Systems : Models, Languages, Design, and Application Programming by Shamkant B. Navathe and Ramez Elmasri (Trade Paperback, New Edition). Database Systems: Models, Languages, Design, and ... Database Systems: Models, Languages, Design, and Application Programming · Ramez Elmasri, Shamkant B. Navathe · About the author. Fundamentals of Database Systems Seventh Edition Cited by 1 — This book introduces the fundamental concepts necessary for designing, using, and implementing database systems and database applications. Database Systems - Higher education | Pearson Our presentation stresses the fundamentals of database modeling and design, the languages and models provided by the database management systems, and database ... Fundamentals of Database Systems 6th edition ... Fundamentals of Database Systems: Models, Languages, Design, and Application Programming. Edition: 6th edition. ISBN-13: 978-0136086208. Format: Hardback. Northstar 4 Teacher - S Manual PDF NORTHSTAR 4 TEACHER_S MANUAL.pdf - Free download as PDF File (.pdf) or read online for free. (PDF) NORTHSTAR 4 TEACHER S MANUAL | ep vp NORTHSTAR 4 TEACHER S MANUAL. NORTHSTAR 4 TEACHER S MANUAL. by ep vp. See Full PDF Download PDF. Create a free Academia.edu account. Access 47 million research ... NorthStar Reading and Writing 4--Teacher's Manual ... NorthStar Reading and Writing 4--Teacher's Manual and Achievement Tests. Andrew K. English, Laura Monahon English. 4.00. 2 ratings3 reviews. Want to read. NorthStar: Reading and Writing Level 4, Third Edition ... NorthStar: Reading and Writing Level 4, Third Edition Teacher's Manual and Achievement Tests ; 978-0136133193. See all details ; ASIN, B001R61DSY ; Language, ... Northstar Reading/Writing Level 4 Teachers Manual with ... Northstar Reading/Writing Level 4 Teachers Manual with achievemenNorthstar Reading/Writing Level 4 Teachers Manual with achievemen. \$5.73\$5.73. Northstar Reading and Writing Level 4, Third Edition ... Northstar Reading and Writing Level 4, Third Edition Teacher's Manual and ; Condition. Very Good ; Quantity. 1 available ; Item Number. 126026866450 ; Author. Northstar Reading/Writing Level 4 Teachers Manual with ... Title, Northstar Reading/Writing Level 4 Teachers Manual with Achievement Tests, Volume 4. Author, Andrew K. English. Northstar 4 Teacher - S Manual NORTHSTAR 4 TEACHER S MANUAL · NorthStar LS-4 Excerpt · Northstar 4 Reading and Writing · Pronunciation Pairs Teacher s Manual · NorthStar 4 Listening & Speaking. northstar reading and writing 4 teachers manual third edition NorthStar: Reading and Writing Level 4, Third Edition Teacher's Manual and Achievement Tests by Author and a great selection of related books, ... NorthStar: Reading and Writing Level 4, Third Edition ... Buy NorthStar: Reading and Writing Level 4, Third Edition Teachers Manual and Achievement Tests, Pre-Owned Paperback B001R61DSY Author at Walmart.com. Traffic Enforcement Agents - NYPD NYPD traffic enforcement agents perform work of varying degrees of difficulty in traffic enforcement areas in New York City. No exam is scheduled at this time. Traffic Enforcement Agent - OASys You will be given the test before we verify your qualifications. You are responsible for determining whether or not you meet the education and experience ... New-York-City-traffic-enforcement-agent-exam-review-guide The New York City Traffic Enforcement Agent Exam Review Guide includes practice questions and instruction

on how to tackle the specific subject areas on the New ... Traffic Enforcement Agent Exam 2023 Prep Guide - JobTestPrep
The Traffic Enforcement Agent exam contains ten sections. The questions are in the multiple-choice format, and you need a score of 70% to pass. Becoming ... New York City Traffic Enforcement Agent... by Morris, Lewis The New York City Traffic Enforcement Agent Exam Review Guide includes practice questions and instruction on how to tackle the specific subject areas on the New ... Training / Education - NYPD Traffic Traffic Enforcement Agents are assigned to the Police Academy for training for a period of ten to 11 weeks. They start receiving pay and benefits from their ... Traffic Enforcement Agent Test The New York City Traffic Enforcement Agent Exam is a computerized, touch-screen test. It is designed to test the applicant's skills in the areas of written ... Traffic Enforcement Agent Test Applying for a role as a traffic enforcement agent? Prepare for aptitude tests with practice tests and questions & answers written by experts. NYC Traffic Enforcement Agent Exam Preparation - 2023 The New York City Traffic Enforcement Agent Exam (TEA Exam) is an assessment administered by the New York Police Department (NYPD). In order to become a traffic ...