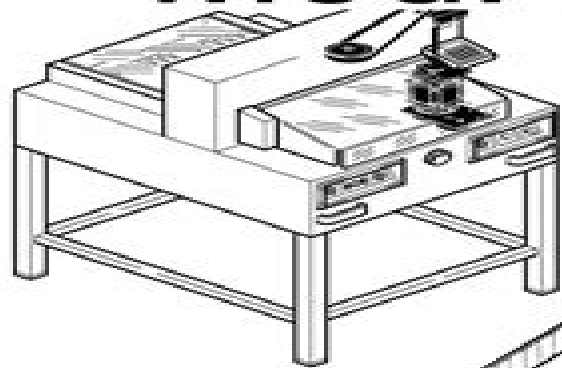


Mod. 6550-95EP D

01.01.2011



9001 105

4850 091

4202 027

9001 458

9001 641

4850 010

9001 460

5250 062

4850 032

9001 458

9003 843/100V

9001 056/115V

9001 057/220-240V

9001 491

4850 046

5250 194/100V

5250 184/115V

5250 174/220-240V

4850 109/100V

4850 093/115V

4850 092/220-240V

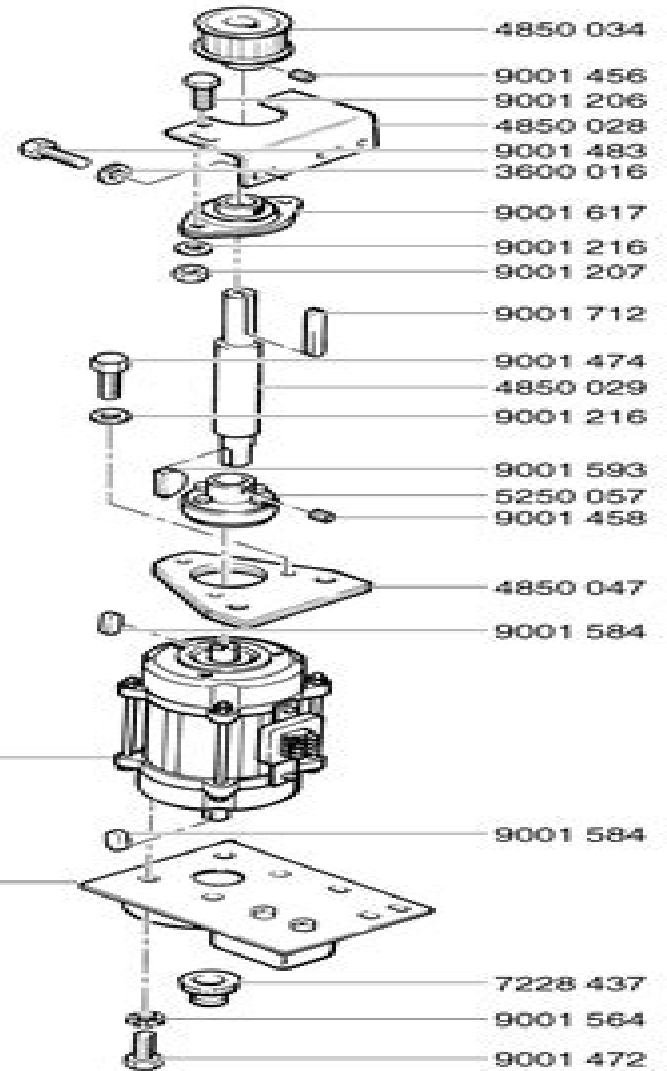
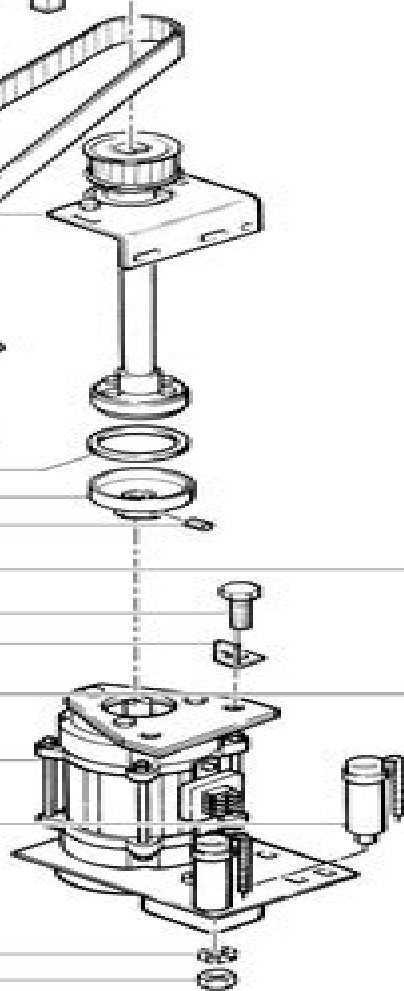
9001 268/100V

9001 265/115V

9001 261/220-240V

9001 565

9001 412



4850 034

9001 456

9001 206

4850 028

9001 483

3600 016

9001 617

9001 216

9001 207

9001 712

9001 474

4850 029

9001 216

9001 593

5250 057

9001 458

4850 047

9001 584

4850 047

9001 584

9001 584

9001 584

9001 584

9001 584

9001 584

9001 584

9001 584

9001 584

9001 584

9001 584

9001 584

9001 584

9001 584

9001 584

9001 584

9001 584

9001 584

9001 584

9001 584

9001 584

Triumph 6550 Parts Manual

Terry C. Jones



Triumph 6550 Parts Manual:

WALNECK'S CLASSIC CYCLE TRADER, APRIL 2003 Causey Enterprises, LLC, **WALNECK'S CLASSIC CYCLE TRADER, NOVEMBER 2002** Causey Enterprises, LLC, *Road and Track* ,1986 *Automotive Daily News* ,1981
WALNECK'S CLASSIC CYCLE TRADER, DECEMBER 1992 Causey Enterprises, LLC, **Motor Cycling and Motoring** ,1984 *Thomas' Register of American Manufacturers* ,1993 **The United States Catalog** Mary Burnham,Carol Hurd,1928 *The Autocar* ,1987 *The Standard Periodical Directory* ,1993 *Autocar & Motor* ,1992
Motor Sport William Boddy,1969 *Ohio Industrial Directory* ,1980 **Forthcoming Books** Rose Arny,1996-06
Harris Illinois Industrial Directory ,2001 **Autocar** ,1998 *Automotive News* ,1979-04 **Triumph TR6, Sports Car** ,1990 *The Triumph Mayflower Spare Parts List* ,19?? **Parts Manual** Caterpillar Inc. Peoria, Ill.,1994

Embracing the Tune of Appearance: An Mental Symphony within **Triumph 6550 Parts Manual**

In a world consumed by screens and the ceaseless chatter of quick interaction, the melodic elegance and mental symphony developed by the written word usually diminish in to the backdrop, eclipsed by the constant noise and distractions that permeate our lives. Nevertheless, nestled within the pages of **Triumph 6550 Parts Manual** a wonderful literary prize full of fresh emotions, lies an immersive symphony waiting to be embraced. Crafted by an outstanding musician of language, this interesting masterpiece conducts visitors on a psychological journey, skillfully unraveling the hidden tunes and profound affect resonating within each carefully constructed phrase. Within the depths of the moving analysis, we can investigate the book is key harmonies, analyze their enthralling publishing model, and submit ourselves to the profound resonance that echoes in the depths of readers souls.

<https://ftp.barnabastoday.com/About/Resources/Documents/volvo%20s40%20repair%20guide.pdf>

Table of Contents Triumph 6550 Parts Manual

1. Understanding the eBook Triumph 6550 Parts Manual
 - The Rise of Digital Reading Triumph 6550 Parts Manual
 - Advantages of eBooks Over Traditional Books
2. Identifying Triumph 6550 Parts Manual
 - Exploring Different Genres
 - Considering Fiction vs. Non-Fiction
 - Determining Your Reading Goals
3. Choosing the Right eBook Platform
 - Popular eBook Platforms
 - Features to Look for in an Triumph 6550 Parts Manual
 - User-Friendly Interface
4. Exploring eBook Recommendations from Triumph 6550 Parts Manual
 - Personalized Recommendations

- Triumph 6550 Parts Manual User Reviews and Ratings
- Triumph 6550 Parts Manual and Bestseller Lists
- 5. Accessing Triumph 6550 Parts Manual Free and Paid eBooks
 - Triumph 6550 Parts Manual Public Domain eBooks
 - Triumph 6550 Parts Manual eBook Subscription Services
 - Triumph 6550 Parts Manual Budget-Friendly Options
- 6. Navigating Triumph 6550 Parts Manual eBook Formats
 - ePub, PDF, MOBI, and More
 - Triumph 6550 Parts Manual Compatibility with Devices
 - Triumph 6550 Parts Manual Enhanced eBook Features
- 7. Enhancing Your Reading Experience
 - Adjustable Fonts and Text Sizes of Triumph 6550 Parts Manual
 - Highlighting and Note-Taking Triumph 6550 Parts Manual
 - Interactive Elements Triumph 6550 Parts Manual
- 8. Staying Engaged with Triumph 6550 Parts Manual
 - Joining Online Reading Communities
 - Participating in Virtual Book Clubs
 - Following Authors and Publishers Triumph 6550 Parts Manual
- 9. Balancing eBooks and Physical Books Triumph 6550 Parts Manual
 - Benefits of a Digital Library
 - Creating a Diverse Reading Collection Triumph 6550 Parts Manual
- 10. Overcoming Reading Challenges
 - Dealing with Digital Eye Strain
 - Minimizing Distractions
 - Managing Screen Time
- 11. Cultivating a Reading Routine Triumph 6550 Parts Manual
 - Setting Reading Goals Triumph 6550 Parts Manual
 - Carving Out Dedicated Reading Time
- 12. Sourcing Reliable Information of Triumph 6550 Parts Manual
 - Fact-Checking eBook Content of Triumph 6550 Parts Manual

- Distinguishing Credible Sources
- 13. Promoting Lifelong Learning
 - Utilizing eBooks for Skill Development
 - Exploring Educational eBooks
- 14. Embracing eBook Trends
 - Integration of Multimedia Elements
 - Interactive and Gamified eBooks

Triumph 6550 Parts Manual Introduction

In today's digital age, the availability of Triumph 6550 Parts Manual books and manuals for download has revolutionized the way we access information. Gone are the days of physically flipping through pages and carrying heavy textbooks or manuals. With just a few clicks, we can now access a wealth of knowledge from the comfort of our own homes or on the go. This article will explore the advantages of Triumph 6550 Parts Manual books and manuals for download, along with some popular platforms that offer these resources. One of the significant advantages of Triumph 6550 Parts Manual books and manuals for download is the cost-saving aspect. Traditional books and manuals can be costly, especially if you need to purchase several of them for educational or professional purposes. By accessing Triumph 6550 Parts Manual versions, you eliminate the need to spend money on physical copies. This not only saves you money but also reduces the environmental impact associated with book production and transportation. Furthermore, Triumph 6550 Parts Manual books and manuals for download are incredibly convenient. With just a computer or smartphone and an internet connection, you can access a vast library of resources on any subject imaginable. Whether you're a student looking for textbooks, a professional seeking industry-specific manuals, or someone interested in self-improvement, these digital resources provide an efficient and accessible means of acquiring knowledge. Moreover, PDF books and manuals offer a range of benefits compared to other digital formats. PDF files are designed to retain their formatting regardless of the device used to open them. This ensures that the content appears exactly as intended by the author, with no loss of formatting or missing graphics. Additionally, PDF files can be easily annotated, bookmarked, and searched for specific terms, making them highly practical for studying or referencing. When it comes to accessing Triumph 6550 Parts Manual books and manuals, several platforms offer an extensive collection of resources. One such platform is Project Gutenberg, a nonprofit organization that provides over 60,000 free eBooks. These books are primarily in the public domain, meaning they can be freely distributed and downloaded. Project Gutenberg offers a wide range of classic literature, making it an excellent resource for literature enthusiasts. Another popular platform for Triumph 6550 Parts Manual books and manuals is Open Library. Open Library is an initiative of the Internet Archive, a non-

profit organization dedicated to digitizing cultural artifacts and making them accessible to the public. Open Library hosts millions of books, including both public domain works and contemporary titles. It also allows users to borrow digital copies of certain books for a limited period, similar to a library lending system. Additionally, many universities and educational institutions have their own digital libraries that provide free access to PDF books and manuals. These libraries often offer academic texts, research papers, and technical manuals, making them invaluable resources for students and researchers. Some notable examples include MIT OpenCourseWare, which offers free access to course materials from the Massachusetts Institute of Technology, and the Digital Public Library of America, which provides a vast collection of digitized books and historical documents. In conclusion, Triumph 6550 Parts Manual books and manuals for download have transformed the way we access information. They provide a cost-effective and convenient means of acquiring knowledge, offering the ability to access a vast library of resources at our fingertips. With platforms like Project Gutenberg, Open Library, and various digital libraries offered by educational institutions, we have access to an ever-expanding collection of books and manuals. Whether for educational, professional, or personal purposes, these digital resources serve as valuable tools for continuous learning and self-improvement. So why not take advantage of the vast world of Triumph 6550 Parts Manual books and manuals for download and embark on your journey of knowledge?

FAQs About Triumph 6550 Parts Manual Books

How do I know which eBook platform is the best for me? Finding the best eBook platform depends on your reading preferences and device compatibility. Research different platforms, read user reviews, and explore their features before making a choice. Are free eBooks of good quality? Yes, many reputable platforms offer high-quality free eBooks, including classics and public domain works. However, make sure to verify the source to ensure the eBook credibility. Can I read eBooks without an eReader? Absolutely! Most eBook platforms offer web-based readers or mobile apps that allow you to read eBooks on your computer, tablet, or smartphone. How do I avoid digital eye strain while reading eBooks? To prevent digital eye strain, take regular breaks, adjust the font size and background color, and ensure proper lighting while reading eBooks. What the advantage of interactive eBooks? Interactive eBooks incorporate multimedia elements, quizzes, and activities, enhancing the reader engagement and providing a more immersive learning experience. Triumph 6550 Parts Manual is one of the best book in our library for free trial. We provide copy of Triumph 6550 Parts Manual in digital format, so the resources that you find are reliable. There are also many Ebooks of related with Triumph 6550 Parts Manual. Where to download Triumph 6550 Parts Manual online for free? Are you looking for Triumph 6550 Parts Manual PDF? This is definitely going to save you time and cash in something you should think about.

Find Triumph 6550 Parts Manual :

[volvo s40 repair guide](#)

[volvo ec240lc ec240 lc excavator service repair manual](#)

[volvo penta 2030 workshop manual](#)

[volvo s60 2011 to 2012 wiring diagrams](#)

volvo penta d1 30 manual

volvo bl60 backhoe loader service parts catalogue manual instant sn 11315 and up

volvo d4 workshop manual

volvo ecr88 excavator operators manual

[volvo penta efi manual](#)

[volvo l60f maintenance manual](#)

[volvo v70 bifuel probleme](#)

volvo penta aquamatic 280 285 290 workshop repair manual

voltaires philosophischer sonderweg philosophie philosophiques

[volvo ec210 excavator service repair manual instant](#)

volvo c30 haynes manual

Triumph 6550 Parts Manual :

[red seal exam millwright exam practice questions industrial](#) - Jan 14 2022

web each third year millwright practice test features a randomly generated 100 questions from trades prep s millwright

question exam bank each time the practice millwright test

[red seal sample examination questions](#) - Jan 26 2023

web red seal sample examination questions familiarize yourself with the red seal questions format by testing yourself with sample questions red seal exam

red seal millwright test practice questions answers - Aug 01 2023

web each red seal millwright practice test features a randomly generated 125 questions from trade prep s millwright

question exam bank each time the practice millwright test is

industrial mechanic millwright exam practice questions and - Apr 16 2022

web our comprehensive guide includes over 1000 practice questions with answers covering all the key topics you need to

know to ace the exam whether you re just starting out or

red seal exam preparation helping you succeed home - Jul 20 2022

web red seal industrial mechanic exam 433a can be tricky and our comprehensive study package is designed to help you understand and pick the most suitable answer in exam

industrial mechanic millwright ip red seal practice exam ace - Dec 13 2021

free millwright practice exams and a z preparation trade - May 18 2022

web 495 register today start date online part time nov 30 2023 jan 25 2024 schedule webinars are held thursdays from 6 00 pm to 8 00 pm pst faqs red seal

study for your exam alberta - Nov 23 2022

web millwright exam practice questions available to help you pass the red seal exam get the most complete updated exam package and pass the exam with confidence

red seal sample examination questions - Sep 02 2023

web gasfitter class a gasfitter class b glazier hairstylist heavy duty equipment technician heavy equipment operator dozer heavy equipment operator excavator

3rd year millwright test practice questions answers - Nov 11 2021

construction millwright exam practice questions and answers - Feb 12 2022

web 540 pdf processed with cutepdf evaluation edition cutepdf com industrial mechanic millwright ip red seal practice exam

industrial mechanic millwright red seal - Feb 24 2023

web our millwright industrial mechanic 433a red seal exam package contains 904 multiple choice questions and answers to give you the most complete exam package to help

millwright industrial mechanic red seal 433a exam questions - Jun 18 2022

web sample questions click here looking for the ultimate study guide for the red seal industrial mechanic millwright exam our comprehensive guide includes over 1000

millwright exam material red seal red seal exam - Mar 28 2023

web red seal sample examination questions disclaimer the practice questions are used to demonstrate the structure and phrasing of red seal exam questions they are for

red seal exam millwright exam practice questions exam apps1 - Sep 21 2022

web red seal exam study material pass your red seal exam the red seal exam material packages we provide are constructed

with only the best questions and answers are

millwrights test how to prepare for the exam assessment - Aug 21 2022

web dec 29 2022 the industrial mechanic millwright exam has 135 questions the topics covered include performs common occupational skills 25 questions performs

red seal 433a millwright exam prep study kit textbook youtube - Oct 23 2022

web oct 11 2023 there are three levels of questions used for the exam level 1 knowledge and recall these questions will test you on your ability to recall and understand

red seal exam self assessment guide - Jun 30 2023

web industrial mechanic millwright red seal exam weighting this pie chart represents the distribution of questions on the red seal exam the self assessment on

study guide industrial mechanic millwright - May 30 2023

web industrial mechanic millwright ip red seal exam currently has 135 questions the following table show s a breakdown of the approximate number of questions that come

red seal millwright exam practice questions exam preparation - Dec 25 2022

web apr 17 2022 0 00 1 00 red seal 433a millwright exam prep study kit textbook actual exam questions answers 2 35k subscribers 7 2k views 1 year ago you can

red seal 2023 433a millwright exam prep study kit - Apr 28 2023

web try the sample industrial mechanic millwright examination questions to prepare for your red seal examination red seal self assessment and exam breakdown check how

industrial mechanic millwright red seal self assessment and - Oct 03 2023

web this trade s red seal exam has 135 questions which are distributed as follows major work activity a performs common occupational skills 25 questions major work

red seal industrial mechanic millwright exam prep online - Mar 16 2022

web millwright exam practice matter available to online you pass which red seal exam ball exam practice questions deliverable to help your pass the red seal exam

first love in a dangerous alternate world noughts crosses - Jul 03 2022

web feb 14 2020 subscribe and to the bbc bit ly bbcyoutubesubwatch the bbc first on iplayer bbc in iplayer home noughts crosses a new series base

noughts and crosses definition cambridge english - Mar 31 2022

web noughts and crosses meaning 1 a game played on a piece of paper in which two players write either o or x in a pattern of

nine learn more

noughts o and crosses x british council teachingenglish - Mar 11 2023

web draw a nought o and a cross x on the board say there are 2 players 1 is noughts the other is crosses to win you need 3 in a line show learners how they can win with 3 in a line demonstrate by playing against the class say let s play noughts and crosses i m noughts and you re crosses i ll go first

noughts and crosses part 1 chapters 1 15 summary analysis - Dec 08 2022

web part 1 chapters 1 15 summary three years after the events of the prologue sephy spends an afternoon on the beach with her best friend callum they share their first kiss callum confesses to sephy about his desire to get away but he

bbc one noughts crosses - Aug 04 2022

web in a dystopian london sephy and callum fall in love despite the odds can they breach the divide between the black elite and white underclass based on malorie blackman s novels

noughts crosses rotten tomatoes - Jan 29 2022

web mar 5 2020 series info sephy hadley and callum mcgregor are star crossed lovers at the intersection of the black ruling class and the white underclass in a dystopian society divided by color together they

bbc iplayer noughts crosses series 1 episode 1 - May 13 2023

web mar 5 2020 here s some advice noughts crosses series 1 episode 1 contains some strong language london albion sephy the cross daughter of powerful home secretary kamal hadley and callum

noughts and crosses summary and study guide supersummary - Dec 28 2021

web noughts and crosses is the first in a series of six novels and three novellas by british author malorie blackman the story chronicles the coming of age of best friends sephy hadley and callum mcgregor

noughts crosses novel series wikipedia - Jan 09 2023

web noughts crosses novel series noughts crosses is a series of young adult novels by british author malorie blackman including six novels and three novellas the series is speculative fiction describing an alternative history the series takes place in an alternative 21st century britain

noughts and crosses noughts and crosses 1 audiobook - May 01 2022

web get the full version of this audiobook audiobooksclooud com b004ovbso8noughts and crosses noughts and crosses 1sephy is a cross a member of the da

noughts and crosses cambridge İngilizce sözlüğü ndeki - Feb 27 2022

web noughts and crosses anlam tanım noughts and crosses nedir 1 a game played on a piece of paper in which two players write either o or x in a pattern of nine daha fazlasını öğren cambridge dictionary plus

[noughts and crosses character analysis litcharts](#) - Nov 07 2022

web need help on characters in malorie blackman s noughts and crosses check out our detailed character descriptions from the creators of sparknotes

tic tac toe play retro tic tac toe online for free - Aug 16 2023

web play the classic tic tac toe game also called noughts and crosses for free online with one or two players

[noughts crosses wikipedia](#) - Jul 15 2023

web noughts crosses is a british drama television series based on the noughts crosses novel series by malorie blackman the series is set in an alternative history where black cross people rule over white noughts the first episode aired on bbc one on 5 march 2020 1 and the remaining episodes premiered on bbc iplayer on the same day 2

[noughts and crosses chapter 1 summary analysis litcharts](#) - Feb 10 2023

web need help with chapter 1 in malorie blackman s noughts and crosses check out our revolutionary side by side summary and analysis

noughts crosses royal shakespeare company - Sep 05 2022

web noughts crosses is a story that challenges our perceptions of race power and truth dominic cooke adapted our version of the story which ran at the civic hall in stratford upon avon in winter 2007 and toured the uk in 2008 rsc browse and license our images act 1 scene 4 noughts crosses royal shakespeare company watch on

[noughts crosses by malorie blackman bbc bitesize](#) - Jun 14 2023

web noughts crosses by malorie blackman is a novel set in a dystopian britain in which society is divided by racism dark skinned crosses are privileged in society over the light skinned

[bbc one noughts crosses series 1 episode 1](#) - Oct 06 2022

web mar 5 2020 series 1 london albion sephy the cross daughter of powerful home secretary kamal hadley and callum the nought son of their housekeeper meggie mcgregor reunite and a spark is ignited

[noughts and crosses study guide literature guide litcharts](#) - Apr 12 2023

web summary welcome to the litcharts study guide on malorie blackman s noughts and crosses created by the original team behind sparknotes litcharts are the world s best literature guides noughts and crosses introduction a concise biography of malorie blackman plus historical and literary context for noughts and crosses

[noughts crosses malorie blackman noughts and crosses 1](#) - Jun 02 2022

web apr 6 2017 noughts crosses malorie blackman noughts and crosses 1 blackman malorie amazon co uk books

[engineering science n4 qp nov 2013 doc course hero](#) - Feb 14 2023

view engineering science n4 qp nov 2013 doc from english misc at rhodes university t640 e j29 t august examination national

certificate engineering science n4 15070434 29 july 2013

n4 engineering science vhembe tvet college - Jul 07 2022

apr 4 2012 eng science n4 nov 2013 eng science n4 x paper apr 2011 eng science n4 x paper nov 2011 engineering science

n4 1 engineering science n4 n4 engineering science april 2016 memorandum n4 engineering science april 2016 n4

engineering science november 2016 t580 engineering science n4 aug qp 2014

n4 engineering science past papers memorandums - Sep 21 2023

jun 1 2023 n4 engineering science august 2022 question paper pdf 342 9 kb n4 engineering science august 2022

memorandum pdf 368 3 kb n4 engineering science november 2022 question paper pdf 263 7 kb n4 engineering science

november 2022 memorandum pdf 317 0 kb 2021 n4 engineering science april 2021 memorandum pdf

engineering science n4 tsc edu za - Mar 15 2023

engineering science n4 t650 e n22 t national certificate engineering science n4 15070434 22 november 2017 x paper 09 00

12 00 this question paper consists of 8 pages 1 formula sheet and 1 information sheet turn over department of higher

education and training republic of south africa

engineering science n4 question papers and memos pdf full - Nov 11 2022

natedengineering science n4 question paper and marking guidelines downloading section order asc desc order by title

publish date engineering science n4 nov qp 2016 1 file s 1 24 mb download engineering science n4 nov memo 2016 1 file s

248 63 kb download engineering science n4 prepexamengineering science

engineering science n4 kinematics past papers and memo november - Sep 09 2022

may 23 2022 engineering science n4 kinematics past papers and memo november 2019 maths zone african motives

engineering science n4 engineering science n4 kinematics e

engineering science tvet exam papers - Jul 19 2023

download engineering science previous question papers our apps tvet exam download engineering science past exam papers

and memos from 2005 to 2020 engineering science n4 2020 april qp memo august qp memo november

free engineering papers n4 engineering n1 n6 past papers - Apr 16 2023

get more papers the following exam papers are available for sale with their memos in a single downloadable pdf file available

papers with answers aug 2019 april aug 2018 april nov 2016 april aug nov 2015 aug nov 2014 buy full papers here

engineering science n4 april 2013 question paper pdf - Mar 03 2022

apr 4 2013 higher education training department higher education and training republic of south africa t620 e m27 t april

examination national certificate engineering science n4 15070434 27 march 2013 x paper 09 00 12 00 calculators may be

used

engineering science past exam papers and memos mytv - Aug 20 2023

2017 engineering science n1 2016 engineering science n1 2015 engineering science n1 these papers are only available for viewing online click on after successful payment wait to be redirected to the download page for bulk purchasing at a discount send us a list of the papers you d like and we ll send you a single download link more info

engineering science n4 november 2011 question paper pdf - Dec 12 2022

nov 4 2011 higher education training department higher education and training republic of south africa t750 e n21 t november 2011 national certificate l engineering science n4 15070434 21 november x paper 09 00 12 00 this question paper consists of 6 pages and a 1 page formula sheet

engineering science n4 past exam papers youtube - Oct 10 2022

sep 19 2023 share your videos with friends family and the world

engineering science n4 question papers and memos pdf - Jun 06 2022

01 engineering students engineering science n4 questions are primarily designed for students pursuing engineering courses students need these questions to test their understanding and knowledge of the subject 02

engineering science n4 question paper and memo download - Jan 13 2023

2 engineering science n4 question paper and memo 2020 04 30 order by title publish date engineering science n4 nov qp 2016 1 file s 1 24 mb download engineering science n4 nov memo 2016 1 file s 248 63 kb download engineering science n4 prepexam on this page you can read or download download engineering science n4

[engineering science n4 april 2021 exam national](#) - Feb 02 2022

apr 4 2021 engineering science n 15070434 9 april 2021 x paper 09 00 12 this question paper consists of 8 pages 1 formula sheet and 1 information sheet 100q1a 15070434 2 department of higher education and training republic of south africa national certificate engineering science n time 3 hours marks 100

november engineering science n4 question papers download - Apr 04 2022

harmful virus inside their computer november engineering science n4 question papers is clear in our digital library an online permission to it is set as public as a result you can download it instantly our digital library saves in merged countries allowing you to acquire the most less latency era to download any of our books afterward this one

november engineering science n4 question papers copy - May 05 2022

november engineering science n4 question papers 1 november engineering science n4 question papers the remote sensing of earth resources the environment index the annual literary index financial engineering and computation the electrician railroad research bulletin

engineering science n3 n4 nated - May 17 2023

aug 3 2011 search alphabetically for subject more to be uploaded during the next few weeks engineering science n3 aug 2011 q engineering science n3 april 2012 q engineering science n3 april 2012 m engineering science n3 aug 2012 m engineering science n3 aug 2012 q engineering science n3 nov 2011 m engineering science n3 nov 2011 q

past exam papers n1 n6 ekurhuleni technical college - Aug 08 2022

download all your n1 to n6 engineering studies previous papers with memos for free below please note that due to the size of the attachments and the cost associated with maintainance of the site there is a dedicated site where the papers are downloaded

engineering science n4 past papers study guides and notes - Jun 18 2023

may 30 2022 n4 study resources collection may 30 2022 my courses editor find engineering science n4 previous exam question papers with memorandums for answers 2023 2022 2021 2020 2019 and more prescribed textbooks and study guides most of the resources are in pdf format for easy download