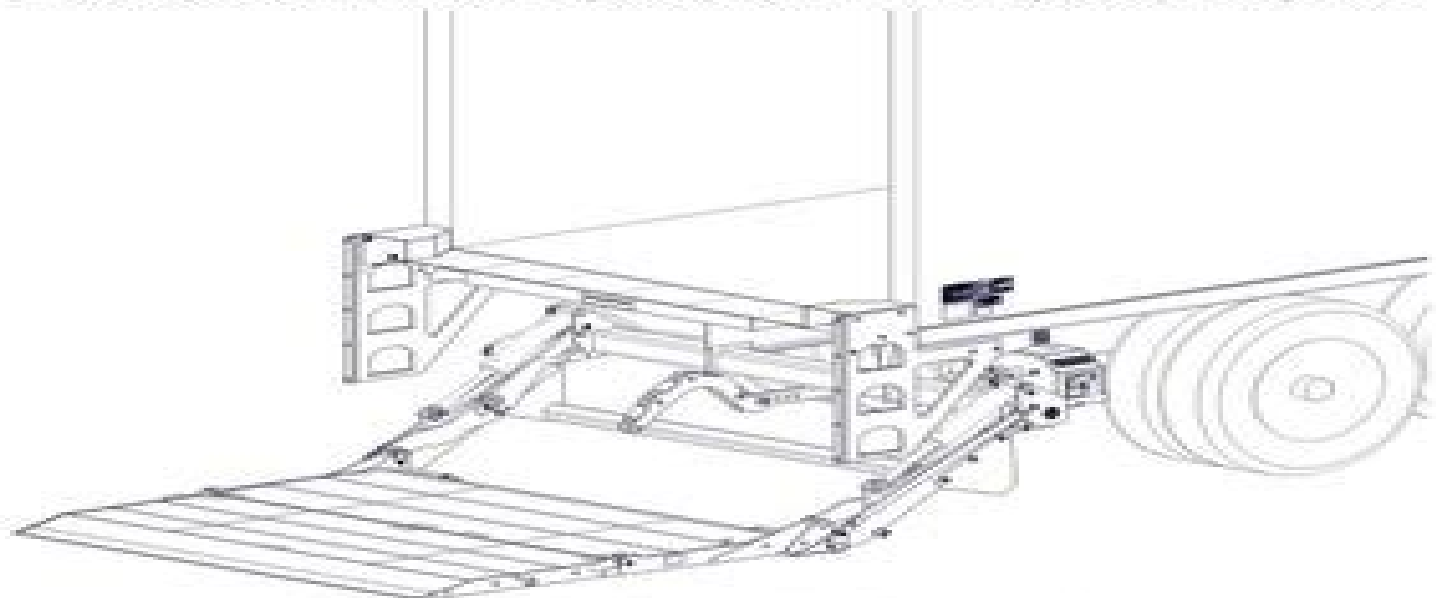

Parts Manual

WFL

2500 lb. and 3300 lb. Capacity Level Lift Flipaway Liftgates



This manual identifies parts for Liftgates manufactured:
10/2016 to Current

Last Change Date	Page(s)	Description
05-2019	7,8,9,10	Added Galvanized Frame & Aluminum Platforms

Walco Lift Corp.
Corporate Office United States
265 Northeast Ave.
Tallmadge, OH 44278
P: 330.633.9191
F: 330.633.1418

Waltco Liftgates Manual

J Elliott



Waltco Liftgates Manual:

Public Works Manual ,1995 *News United States*. Department of Transportation,1994 Irregular news releases from the National Highway Traffic Safety Administration *Chilton's Commercial Carrier Journal for Professional Fleet Managers* ,1995-07 *Western Motor Transport* ,1955 **Traffic Management** ,1984 *Official Gazette of the United States Patent and Trademark Office* ,2003 **Go - Transport Times of the West** ,1969 *Go-West* ,1969 *Fleet Owner* ,1984 [Regional Industrial Buying Guide](#) ,2000 [Commerce Business Daily](#) ,2001-12-03 **American Cinematographer** ,1985 **THOMAS REGIONAL INDUSTRIAL BUYING GUIDE NORTHERN CALIFORNIA 2004** , **Nursery Business Grower** ,1993 *Thomas Register of American Manufacturers and Thomas Register Catalog File* ,2002 Vols for 1970 71 includes manufacturers catalogs **The United States Patents Quarterly** ,1983 **Thomas Register of American Manufacturers** ,2002 This basic source for identification of U S manufacturers is arranged by product in a large multi volume set Includes Products services Company profiles and Catalog file [Vertical Lift Gates](#) ,1997 The purpose of this manual is to provide guidance in the structural design of vertical lift gates This manual applies to all USACE Commands having responsibility for design of civil works projects Several types of vertical lift gates are used in a variety of hydraulic structures including spillways low level inlets outlets powerhouses and navigation locks In recent years there have been considerable problems with the performance of vertical lift gates The majority of these problems have occurred as result of fatigue causing fracture in main structural framing members of the gate New criteria address methods to reduce fatigue and fracture through design and construction techniques Research has proven that the serviceability of the gate can be improved by using proper material selection and fabrication techniques These fabrication techniques include the use of proper joint detailing and welding procedures Proper material selection and material compatibilities are essential parts of providing a long service life of the structure

Reviewing **Waltco Liftgates Manual**: Unlocking the Spellbinding Force of Linguistics

In a fast-paced world fueled by information and interconnectivity, the spellbinding force of linguistics has acquired newfound prominence. Its capacity to evoke emotions, stimulate contemplation, and stimulate metamorphosis is really astonishing. Within the pages of "**Waltco Liftgates Manual**," an enthralling opus penned by a very acclaimed wordsmith, readers embark on an immersive expedition to unravel the intricate significance of language and its indelible imprint on our lives. Throughout this assessment, we shall delve into the book's central motifs, appraise its distinctive narrative style, and gauge its overarching influence on the minds of its readers.

<https://ftp.barnabastoday.com/results/detail/Documents/Unsichtbare%20Wegbegleiter%20Kein%20Autor.pdf>

Table of Contents Waltco Liftgates Manual

1. Understanding the eBook Waltco Liftgates Manual
 - The Rise of Digital Reading Waltco Liftgates Manual
 - Advantages of eBooks Over Traditional Books
2. Identifying Waltco Liftgates Manual
 - Exploring Different Genres
 - Considering Fiction vs. Non-Fiction
 - Determining Your Reading Goals
3. Choosing the Right eBook Platform
 - Popular eBook Platforms
 - Features to Look for in an Waltco Liftgates Manual
 - User-Friendly Interface
4. Exploring eBook Recommendations from Waltco Liftgates Manual
 - Personalized Recommendations
 - Waltco Liftgates Manual User Reviews and Ratings
 - Waltco Liftgates Manual and Bestseller Lists

5. Accessing Waltco Liftgates Manual Free and Paid eBooks
 - Waltco Liftgates Manual Public Domain eBooks
 - Waltco Liftgates Manual eBook Subscription Services
 - Waltco Liftgates Manual Budget-Friendly Options
6. Navigating Waltco Liftgates Manual eBook Formats
 - ePub, PDF, MOBI, and More
 - Waltco Liftgates Manual Compatibility with Devices
 - Waltco Liftgates Manual Enhanced eBook Features
7. Enhancing Your Reading Experience
 - Adjustable Fonts and Text Sizes of Waltco Liftgates Manual
 - Highlighting and Note-Taking Waltco Liftgates Manual
 - Interactive Elements Waltco Liftgates Manual
8. Staying Engaged with Waltco Liftgates Manual
 - Joining Online Reading Communities
 - Participating in Virtual Book Clubs
 - Following Authors and Publishers Waltco Liftgates Manual
9. Balancing eBooks and Physical Books Waltco Liftgates Manual
 - Benefits of a Digital Library
 - Creating a Diverse Reading Collection Waltco Liftgates Manual
10. Overcoming Reading Challenges
 - Dealing with Digital Eye Strain
 - Minimizing Distractions
 - Managing Screen Time
11. Cultivating a Reading Routine Waltco Liftgates Manual
 - Setting Reading Goals Waltco Liftgates Manual
 - Carving Out Dedicated Reading Time
12. Sourcing Reliable Information of Waltco Liftgates Manual
 - Fact-Checking eBook Content of Waltco Liftgates Manual
 - Distinguishing Credible Sources
13. Promoting Lifelong Learning

- Utilizing eBooks for Skill Development
 - Exploring Educational eBooks
14. Embracing eBook Trends
- Integration of Multimedia Elements
 - Interactive and Gamified eBooks

Waltco Liftgates Manual Introduction

In the digital age, access to information has become easier than ever before. The ability to download Waltco Liftgates Manual has revolutionized the way we consume written content. Whether you are a student looking for course material, an avid reader searching for your next favorite book, or a professional seeking research papers, the option to download Waltco Liftgates Manual has opened up a world of possibilities. Downloading Waltco Liftgates Manual provides numerous advantages over physical copies of books and documents. Firstly, it is incredibly convenient. Gone are the days of carrying around heavy textbooks or bulky folders filled with papers. With the click of a button, you can gain immediate access to valuable resources on any device. This convenience allows for efficient studying, researching, and reading on the go. Moreover, the cost-effective nature of downloading Waltco Liftgates Manual has democratized knowledge. Traditional books and academic journals can be expensive, making it difficult for individuals with limited financial resources to access information. By offering free PDF downloads, publishers and authors are enabling a wider audience to benefit from their work. This inclusivity promotes equal opportunities for learning and personal growth. There are numerous websites and platforms where individuals can download Waltco Liftgates Manual. These websites range from academic databases offering research papers and journals to online libraries with an expansive collection of books from various genres. Many authors and publishers also upload their work to specific websites, granting readers access to their content without any charge. These platforms not only provide access to existing literature but also serve as an excellent platform for undiscovered authors to share their work with the world. However, it is essential to be cautious while downloading Waltco Liftgates Manual. Some websites may offer pirated or illegally obtained copies of copyrighted material. Engaging in such activities not only violates copyright laws but also undermines the efforts of authors, publishers, and researchers. To ensure ethical downloading, it is advisable to utilize reputable websites that prioritize the legal distribution of content. When downloading Waltco Liftgates Manual, users should also consider the potential security risks associated with online platforms. Malicious actors may exploit vulnerabilities in unprotected websites to distribute malware or steal personal information. To protect themselves, individuals should ensure their devices have reliable antivirus software installed and validate the legitimacy of the websites they are downloading from. In conclusion, the ability to download Waltco Liftgates Manual has transformed the way we

access information. With the convenience, cost-effectiveness, and accessibility it offers, free PDF downloads have become a popular choice for students, researchers, and book lovers worldwide. However, it is crucial to engage in ethical downloading practices and prioritize personal security when utilizing online platforms. By doing so, individuals can make the most of the vast array of free PDF resources available and embark on a journey of continuous learning and intellectual growth.

FAQs About Waltco Liftgates Manual Books

How do I know which eBook platform is the best for me? Finding the best eBook platform depends on your reading preferences and device compatibility. Research different platforms, read user reviews, and explore their features before making a choice. Are free eBooks of good quality? Yes, many reputable platforms offer high-quality free eBooks, including classics and public domain works. However, make sure to verify the source to ensure the eBook credibility. Can I read eBooks without an eReader? Absolutely! Most eBook platforms offer web-based readers or mobile apps that allow you to read eBooks on your computer, tablet, or smartphone. How do I avoid digital eye strain while reading eBooks? To prevent digital eye strain, take regular breaks, adjust the font size and background color, and ensure proper lighting while reading eBooks. What the advantage of interactive eBooks? Interactive eBooks incorporate multimedia elements, quizzes, and activities, enhancing the reader engagement and providing a more immersive learning experience. Waltco Liftgates Manual is one of the best book in our library for free trial. We provide copy of Waltco Liftgates Manual in digital format, so the resources that you find are reliable. There are also many Ebooks of related with Waltco Liftgates Manual. Where to download Waltco Liftgates Manual online for free? Are you looking for Waltco Liftgates Manual PDF? This is definitely going to save you time and cash in something you should think about.

Find Waltco Liftgates Manual :

[unsichtbare wegbegleiter kein autor](#)

[until you walk in my shoes](#)

[upload magazin internetrecht jan ti ler ebook](#)

[usa 101 a guide to americas iconic places events and festivals national geographic](#)

[unofficial mark scheme gce physics 2014 edexcel](#)

[unstoppable revelation](#)

[us master tax guide 2011](#)

[unknown bacteria lab biochemical tests](#)

urbanisatie op zoek naar de stad van morgen

[untitled how to get my ex boyfriend back and crazy about me](#)

[us heavy cruisers 1943-75 wartime and post war classes new vanguard](#)

[university of forethare](#)

[upright x26n electrical manual](#)

urspr nge aller energiequellen kernphysikalischen essentials ebook

unix programming lab manual

Waltco Liftgates Manual :

free pdf download revendiqua c e par le dragon une romance paranorm - Mar 12 2023

web revendiqua c e par le dragon une romance paranorm les mémoires historiques de se ma ts'ien may 19 2022 revenge of the dragon tome 1 wolfgang feb 22 2020 depuis bientôt deux décennies la haine et la vengeance coulent dans les veines de wolfgang le président des drachenblut un clan de bikers de la belle ville de jever en

free revendiqua c e par le dragon une romance paranorm - Feb 11 2023

web revendiqua c e par le dragon une romance paranorm rolls series oct 31 2022 sur une planète colonisée par les chinois une intrigante situation due à une taupe espion infiltré est résolue grâce à une périlleuse enquête saint georges dec 09 2020

revendiqua c e par le dragon une romance paranorm book - May 14 2023

web revendiqua c e par le dragon une romance paranorm le prix secret du dragon may 02 2022 kidnappée par un réseau illégal de combats sur le ring exhibée comme trophée comment faire pire c est le premier site de fouilles où kayla tucker fait partie du personnel de commandement et elle est résolue à ce que tout se passe bien

[revendiqua c e par le dragon une romance paranorm](#) - Jul 04 2022

web revendiqua c e par le dragon une romance paranorm as one of the most functional sellers here will agreed be in the midst of the best options to review applied nonsingular astrodynamics jean albert kéchichian 2018 08 16 this essential book is the first comprehensive exposition in the area

[revendiqua c e par le dragon une romance paranorm](#) - Aug 17 2023

web revendiqua c e par le dragon une romance paranorm the girl at midnight tome 1 de plumes et de feu oct 06 2020 un univers inédit qui sort des sentiers battus et explore une mythologie aux créatures originales loin des traditionnels vampires et loups garous sous les rues de new york

□□ □ □□ □ □ □ □□ □□ □ □□ □ □ □ □□ □ □ □□ □□ □ □ - Aug 05 2022

web about press copyright contact us creators advertise developers terms privacy policy safety how youtube works test new features nfl sunday ticket press copyright

revendiqua c e par le dragon une romance paranorm - Jun 15 2023

web as this revendiqua c e par le dragon une romance paranorm it ends up living thing one of the favored books revendiqua c e par le dragon une romance paranorm collections that we have this is why you remain in the best website to look the unbelievable ebook to have awaken to the brand new you luis soto jr 2014 10 28 this life is a gift

revendiqua c e par le dragon une romance paranorm pdf e - Oct 07 2022

web revendiqua c e par le dragon une romance paranorm 2020 07 26 rhys spence des libertés garanties par les institutions de 1789 à 1830 dans leur rapport avec la constitution de 1852 african books collective

☐ ☐☐ ☐☐ ☐☐ ☐☐ ☐☐ ☐☐ ☐☐ ☐☐ **magellan** ☐☐ ☐☐ ☐☐ **anime** - May 02 2022

web jul 6 2023 credit tik tok 3zoro chan3facebook page 3zoro chan3 ☐☐ ☐☐ ☐☐ ☐☐ ☐☐☐☐ ☐☐☐☐ ☐☐☐☐

revendiqua c e par le dragon une romance paranorm pdf full - Sep 06 2022

web sep 17 2023 internationally acclaimed s e smith presents a new action packed story full of romance and adventure brimming with her signature humor vivid scenes and beloved characters this book is sure to be another fan favorite main content 207 6x9 pages 68 863 words 1 romance love explicit sexual content science fiction

revendiqua c e par le dragon une romance paranorm s e - Apr 01 2022

web it is your utterly own epoch to exploit reviewing habit accompanied by guides you could enjoy now is revendiqua c e par le dragon une romance paranorm below paul s pursuit s e smith 2015 11 20 paul s missing daughter suddenly appears with a warrior from another world and he realizes he has to return with her to her new home or lose her

revendiqua c e par le dragon une romance paranorm copy - Dec 09 2022

web revendiqua c e par le dragon une romance paranorm honorius iii et l orient 1216 1227 des libertés garanties par les institutions de 1789 à 1830 dans leur rapport avec la constitution de 1852 biographie universelle ancienne et moderne vies des grands capitaines francais du moyen age histoire de nantes seconde édition avec dessins

revendiqua c e par le dragon une romance paranorm - Nov 08 2022

web revendiqua c e par le dragon une romance paranorm spink son s monthly numismatic circular dictionnaire d archéologie chrétienne et de liturgie publié par le r p dom fernand cabrol avec le concours d un grand nombre de collaborateurs biographie universelle ancienne et moderne

download free revendiqua c e par le dragon une romance paranorm - Jan 10 2023

web revendiqua c e par le dragon une romance paranorm dragon 209 feb 05 2021 le vingt troisieme sicle dvore par la folie des reptiliens la terre va disparatre mais il reste un hros sun tokamak et l espoir d un vaisseau le dragon 209 dictionary of the

educational value

500 single best answers in medicine pdf slideshare - Aug 31 2023

web 500 single best answers in medicine download as a pdf or view online for free submit search upload login signup 500 single best answers in medicine report hamadadodo follow feb 28 2015 0 parasitology mcq with answers cristi francis 115 9k views

family medicine board review sample questions cmelist - May 16 2022

web boardvitals family medicine cme pro plus offers more than 2 000 peer reviewed online case style questions that will help you prepare for your family medicine board exams and stay up to date on relevant family medicine topics including pediatrics neurology and hospital medicine also get up to a bonus 2 500 amazon or visa prepaid card and

does developing multiple choice questions improve medical - Aug 19 2022

web the majority of interventions required students to write single best answer mcqs n 6 three of which were vignettes mcqs

how to write single best answer sba questions geeky medics - Jul 30 2023

web aug 28 2017 a single best answer question has a clinical scenario the stem a question and five answer options unlike traditional mcqs the incorrect answers distractors may be plausible or partially correct however the correct answer is the best answer to the scenario and posed question

oxford university press online resource centre single best answer - Feb 22 2023

web single best answer questions test your knowledge with these self assessment questions for many chapters in the book click the chapter links below to open the questions please note not all chapters have accompanying questions chapter 02 the scale of the problem chapter 03 mental disorder and you

can you answer these family medicine sample questions - Apr 14 2022

web jan 24 2022 we want to give you the biggest advantage by offering an interactive practice test using 6 highly rated family medicine sample questions which you ll find in our abfm board review question bank giving you just a taste of what we have to offer and what you might expect on your actual board exam good luck

single best answer question writing tips for clinicians pubmed - Dec 23 2022

web the single best answer sba question format is becoming ubiquitous in the assessment of the application of knowledge in clinical medicine writing this style of examination question can be a challenge this concise guide highlights key sba question writing tips aiming to help aspiring clinical teachers set high quality knowledge assessments

the introduction of single best answer questions as a test of - Nov 21 2022

web aims the single best answer sba format of multiple choice questions mcq is recognised to be better suited to the assessment of the higher levels of knowledge essential for clinical practice such as data interpretation problem solving and

decision making than traditional true false mcq

[500 single best answers in medicine internet archive](#) - Jun 28 2023

web mcqs in the past were the most common modality by which medical students were examined although able to test a broad range of topics and being cost efficient for marking purposes mcqs have largely been abandoned in favour of extending matching questions emqs and more recently the single best answer sba question format

[family medicine mcq single best answer blogger](#) - Oct 21 2022

web jun 9 2008 on follow up his blood test shows the following results haemoglobin 10 3 13 14 g d l white blood count 8 000 4 000 11 000 dl platelets 160 000 150 000 400 000 dl reticulocytes 10 agglutination positive the above results are consistent with a drug induced hemolysis b acute infectious mononucleosis

comparing single best answer and very short answer questions - Jul 18 2022

web objectives the study aimed to compare candidate performance between traditional best of five single best answer sba questions and very short answer vsa questions in which candidates must generate their own answers of between one and five words

[single best answers in medicine unitedvrg academia edu](#) - Sep 19 2022

web single best answers in medicine unitedvrg elena mejery to my parents and brother who during the darkest nights have forever remained the brightest stars see full pdf download pdf see full pdf download pdf related papers emqs in clinical medicine mohamad dagher download free pdf view pdf

practical guidance for writing single best answer mcqs a good - Mar 26 2023

web practical guidance for writing single best answer mcqs a good scenario allow 90 secs per question this will guide what goes into the question set in authentic clinical contexts think about patients you ve seen addresses range of topics diseases clinical contexts over a number of qs

[mcqs and oral exam tips in family medicine residency programs](#) - Feb 10 2022

web oct 8 2016 pdf tips in mcq and oral exams practice in group study with colleagues ask experts seniors get advice from advisor try and repeat find read and cite all the research you need on

family medicine question bank pdf 2023 tests questions com - Jan 12 2022

web mark one answer surgery as soon as possible surgery within the next 6 months surgery only if the hernia becomes incarcerated surgery before school age q 2 which of the following conditions does not require a pacemaker mark one answer sick sinus syndrome mobitz type 2 third degree heart block first degree heart block

[the multiple choice question mcq and single best answer](#) - Jan 24 2023

web the primary exam consists of a stand alone written paper comprising multiple choice questions mcqs and single best

answer questions sbas this is followed by the objective structured clinical exam osce and the structured oral exams soes in this chapter we discuss the mcq sba paper

family medicine fm 1 multiple choice questions - May 28 2023

web family medicine fm 1 multiple choice questions type i select the correct answers to the following questions each question may have more than one correct answer fm 1 1 renal calcification is a possible complication of a medullary cystic kidney disease b renal tuberculosis c sarcoidosis d sickle cell anemia

family medicine pretest self assessment and review alhefzi - Jun 16 2022

web to those included in step 2 of the united states medical licensing exami nation usmle they may also be a useful study tool for step 3 each question in this book has a corresponding answer a reference to a text that provides background to the answer and a short discussion of various issues raised by the question and its answer

your health today choices in a changing society edition 4 - Mar 29 2023

web your health today choices in a changing society 8th edition is written by michael teague sara mackenzie david rosenthal and published by mcgraw hill higher

your health today choices in a changing society 6th edition - Aug 22 2022

web jun 22 2021 description test bank for your health today teague 3e prepares you efficiently for your upcoming exams it contains practice test questions tailored for your

your health today choices in a changing society notes stuvia - May 19 2022

web sep 14 2016 your health today teaches personal health from a truly inclusive and socially responsible perspective enhanced by a unique set of digital learning tools your

your health today choices in a changing society mcgraw hill - Oct 04 2023

web mar 22 2023 we re here to help get real world support and resources every step of the way get the 9e of your health today choices in a changing society by michael

your health today teague michael l 1946 author archive org - Jul 21 2022

web jan 1 2015 your health today looseleaf loose leaf january 1 2015 by teague author loose leaf from 49 00 1 used from 49 00

your health today choices in a changing society - Dec 26 2022

web your health today choices in a changing society hardcover your health today teaches personal health from a perspective of social responsibility while each of us has

your health today choices in a changing society loose leaf - Feb 13 2022

your health today choices in a changing society mcgraw hill - Mar 17 2022

web nov 9 2010 teague has served as a health observer for the u s state department in east timor an advisory committee member for healthy people 2000 a taskforce

your health today by michael teague open library - Feb 25 2023

web nov 19 2008 your health today choices in a changing society michael teague sara mackenzie david rosenthal mcgraw hill education nov 19 2008 health fitness

your health today choices in a changing society 8th edition - Jan 27 2023

web description your health today teaches personal health from a perspective of social responsibility while each of us has a unique set of individual characteristics that shape

your health today choices in a changing society goodreads - Jun 19 2022

web get the 8e of your health today choices in a changing society by michael teague sara mackenzie and david rosenthal textbook ebook and other options isbn

your health today choices in a changing society - Apr 29 2023

web oct 31 2022 your health today by michael teague open library want to read more overview view 2 editions details reviews lists related books last edited by importbot

your health today choices in a changing society - Sep 03 2023

web aug 1 2018 your health today choices in a changing society 7th edition your health today teaches personal health from a perspective of social responsibility while each of

your health today choices in a changing society 9th edition - Oct 24 2022

web your health today by teague michael l 1946 author publication date 2011 topics health education health promotion publisher new york ny mcgraw hill

your health today choices in a changing society hardcover - Sep 22 2022

web jan 1 2005 this exciting text presents personal health in the context of a changing social and cultural environment going beyond behavior change and individual responsibility it

your health today choices in a changing society michael - Nov 24 2022

web jan 1 2018 loose leaf for your health today choices in a changing society 112 00 1 only 7 left in stock more on the way personal health publisher mcgraw hill education

your health today choices in a changing society mcgraw hill - Jan 15 2022

your health today choices in a changing society teague - Jul 01 2023

web oct 5 2012 your health today choices in a changing society michael l teague ph d sara l c mackenzie david m rosenthal mcgraw hill education oct 5 2012

your health today looseleaf teague 9781260022216 - Apr 17 2022

web mar 22 2023 get the 9e of your health today choices in a changing society by michael teague sara mackenzie and david rosenthal textbook ebook and other options

your health today choices in a changing society michael l - May 31 2023

web oct 5 2012 your health today incorporates the individual interpersonal and broader social factors that affect our health acting as a guide for healthy living in college and

your health today choices in a changing society teague - Aug 02 2023

web your health today choices in a changing society teague michael mackenzie sara rosenthal david amazon sg books

[your health today choices in a changing society google books](#) - Dec 14 2021