

Mitsubishi Pajero Sport 1997-2008 Workshop Manual



REMOVAL SERVICE POINT

4P-4-OIL PAN LOWER REMOVAL

1. Remove the oil pan, lower installation bolt.
2. Place a wooden block to the oil pan, lower as shown in the figure and remove by tapping with a hammer.

Caution

The use of an oil pan remover (MDS98727) can damage the oil pan, upper (aluminum made).

INSTALLATION SERVICE POINTS

4P-4-OIL PAN LOWER INSTALLATION

1. Tighten the bolts in order of the numbers shown in the illustration.
2. Be careful when installing, as there are two different lengths of bolt.

4P-5-TRANSMISSION STAY INSTALLATION

Be careful when installing, as the bolts in the illustration have different lengths from the others.

4P-C-DRAIN PLUG INSTALLATION

Replace the gasket. Be careful to install the new gasket in the direction shown in the illustration.

INSPECTION

- Check the oil pan for cracks.
- Check the oil pan cast-iron-coated surface for damage and deformation.
- Check the oil screen for cracked, stopped or damaged wire net and pipe.

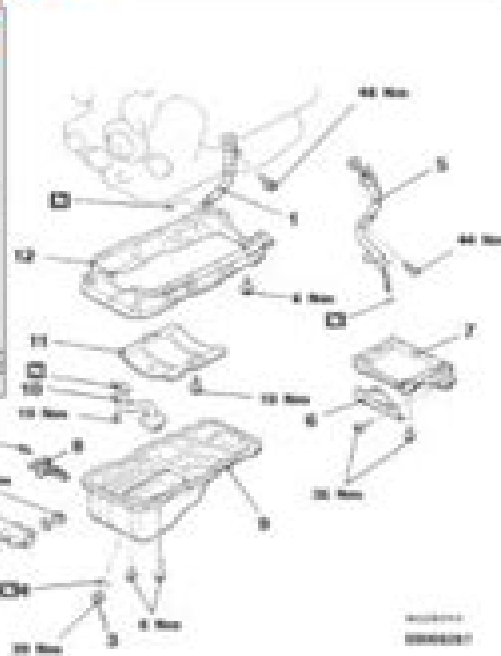
OIL PAN AND OIL SCREEN

REMOVAL AND INSTALLATION

- Pre-removal and Post-installation Operation**
- Wash Pan and Under Cover, Draining and Insulation (Refer to GROUP 14 - Draining and Insulation (Water to Engine Oil Draining and Insulation (Water to Oil Pan) - Draining Service).
 - Oil Pan Removal and Installation (Refer to GROUP 14 - Draining and Insulation (Water to Engine Oil Draining and Insulation (Water to Oil Pan) - Lower Staff).
 - Draining Oil Removal and Installation (Refer to GROUP 14 - Draining Service).



Specified Lubricant: METALWORK GENUINE PART MDS1000 or equivalent.



- Removal steps**
1. Oil drain assembly
 2. Oil pan assembly
 3. Drain plug
 4. Drain plug gasket
 5. Oil drain assembly
 6. Oil pan support bracket

7. Transmission stay
8. Oil level sensor
9. Oil pan lower
10. Oil screen
11. Gasket plate
12. Oil pan upper

workshopmanuals.org

PDF
Download

Workshop Manual Pajero Sport 2008

Rachel S Tattersall



Workshop Manual Pajero Sport 2008:

Mitsubishi Pajero Workshop Manual ,1985 2016 M/Y Pajero Sport [electronic Resource] ,2015 **Mergent International Manual** ,2009 Arsip Koran Banjarmasin Post Tgl 10 April 2012 , **Moody's International Manual** ,2000 **2016 M/Y Pajero Sport** ,2015 **Arsip Koran Banjarmasin Post Tgl 09 April 2012** , Mitsubishi Pajero Automotive Repair Manual Jeff Killingsworth,John Harold Haynes,2012-09-01 This is a maintenance and repair manual for the DIY mechanic The book covers the Mitsubishi Pajero 1997 2009 models **Arsip Koran Banjarmasin Post Tgl 08 April 2012** , **Mitsubishi Pajero Workshop Manual** ,1992 Arsip Koran Banjarmasin Post Tgl 07 April 2012 ,
Mitsubishi Pajero Automotive Repair Manual Larry Warren,John Harold Haynes,2005 Series NL NM NP NS NT with 3 0L 3 5L 3 8L petrol engines and 2 8L 3 2L diesel engines **Arsip Koran Banjarmasin Post Tgl 06 April 2012** , **Arsip Koran Banjarmasin Post Tgl 04 April 2012** , Mitsubishi Pajero Chassis Workshop Manual ,1990* **Mitsubishi Pajero 2000 to 2010** Editors Ellery Publications,2009-12-15 Mitsubishi Pajero 2000 to 2010 Petrol Gasoline and Diesel engines including Common Rail and Turbo with World Wide Spec s This manual has over 500 pages It has step by step instructions in every chapter Covering both model produced the Station Wagons and tray models 03/04/05 NP Pajero ,2004 Mitsubishi Pajero Engine 4M4 ,1995 Mitsubishi Pajero Workshop Manual Chassis Supplement ,1995
Mitsubishi Pajero Mini 660cc English Mechanical Factory Service Manual James Danko,2011

This Enthralling Realm of Kindle Books: A Thorough Guide Unveiling the Advantages of E-book Books: A World of Convenience and Flexibility E-book books, with their inherent portability and simplicity of availability, have liberated readers from the limitations of physical books. Done are the days of carrying bulky novels or meticulously searching for specific titles in bookstores. E-book devices, sleek and portable, seamlessly store an extensive library of books, allowing readers to immerse in their preferred reads whenever, everywhere. Whether traveling on a bustling train, lounging on a sunny beach, or simply cozying up in bed, E-book books provide an exceptional level of convenience. A Literary Universe Unfolded: Exploring the Vast Array of Kindle Workshop Manual Pajero Sport 2008 Workshop Manual Pajero Sport 2008 The E-book Shop, a virtual treasure trove of literary gems, boasts an extensive collection of books spanning diverse genres, catering to every readers preference and choice. From gripping fiction and mind-stimulating non-fiction to timeless classics and contemporary bestsellers, the E-book Shop offers an unparalleled variety of titles to discover. Whether seeking escape through engrossing tales of fantasy and adventure, delving into the depths of historical narratives, or expanding ones understanding with insightful works of scientific and philosophy, the Kindle Shop provides a gateway to a bookish universe brimming with endless possibilities. A Game-changing Factor in the Bookish Landscape: The Enduring Influence of E-book Books Workshop Manual Pajero Sport 2008 The advent of Kindle books has undoubtedly reshaped the bookish landscape, introducing a paradigm shift in the way books are published, disseminated, and consumed. Traditional publishing houses have embraced the digital revolution, adapting their approaches to accommodate the growing need for e-books. This has led to a surge in the accessibility of Kindle titles, ensuring that readers have access to a vast array of bookish works at their fingertips. Moreover, E-book books have equalized entry to literature, breaking down geographical barriers and providing readers worldwide with equal opportunities to engage with the written word. Regardless of their place or socioeconomic background, individuals can now immerse themselves in the captivating world of literature, fostering a global community of readers. Conclusion: Embracing the E-book Experience Workshop Manual Pajero Sport 2008 Kindle books Workshop Manual Pajero Sport 2008, with their inherent convenience, versatility, and wide array of titles, have undoubtedly transformed the way we experience literature. They offer readers the liberty to explore the boundless realm of written expression, whenever, anywhere. As we continue to travel the ever-evolving online scene, Kindle books stand as testament to the persistent power of storytelling, ensuring that the joy of reading remains reachable to all.

https://ftp.barnabastoday.com/results/publication/default.aspx/Wolf_Lullaby_Study_Guide.pdf

Table of Contents Workshop Manual Pajero Sport 2008

1. Understanding the eBook Workshop Manual Pajero Sport 2008
 - The Rise of Digital Reading Workshop Manual Pajero Sport 2008
 - Advantages of eBooks Over Traditional Books
2. Identifying Workshop Manual Pajero Sport 2008
 - Exploring Different Genres
 - Considering Fiction vs. Non-Fiction
 - Determining Your Reading Goals
3. Choosing the Right eBook Platform
 - Popular eBook Platforms
 - Features to Look for in an Workshop Manual Pajero Sport 2008
 - User-Friendly Interface
4. Exploring eBook Recommendations from Workshop Manual Pajero Sport 2008
 - Personalized Recommendations
 - Workshop Manual Pajero Sport 2008 User Reviews and Ratings
 - Workshop Manual Pajero Sport 2008 and Bestseller Lists
5. Accessing Workshop Manual Pajero Sport 2008 Free and Paid eBooks
 - Workshop Manual Pajero Sport 2008 Public Domain eBooks
 - Workshop Manual Pajero Sport 2008 eBook Subscription Services
 - Workshop Manual Pajero Sport 2008 Budget-Friendly Options
6. Navigating Workshop Manual Pajero Sport 2008 eBook Formats
 - ePub, PDF, MOBI, and More
 - Workshop Manual Pajero Sport 2008 Compatibility with Devices
 - Workshop Manual Pajero Sport 2008 Enhanced eBook Features
7. Enhancing Your Reading Experience
 - Adjustable Fonts and Text Sizes of Workshop Manual Pajero Sport 2008
 - Highlighting and Note-Taking Workshop Manual Pajero Sport 2008
 - Interactive Elements Workshop Manual Pajero Sport 2008
8. Staying Engaged with Workshop Manual Pajero Sport 2008

- Joining Online Reading Communities
 - Participating in Virtual Book Clubs
 - Following Authors and Publishers Workshop Manual Pajero Sport 2008
9. Balancing eBooks and Physical Books Workshop Manual Pajero Sport 2008
- Benefits of a Digital Library
 - Creating a Diverse Reading Collection Workshop Manual Pajero Sport 2008
10. Overcoming Reading Challenges
- Dealing with Digital Eye Strain
 - Minimizing Distractions
 - Managing Screen Time
11. Cultivating a Reading Routine Workshop Manual Pajero Sport 2008
- Setting Reading Goals Workshop Manual Pajero Sport 2008
 - Carving Out Dedicated Reading Time
12. Sourcing Reliable Information of Workshop Manual Pajero Sport 2008
- Fact-Checking eBook Content of Workshop Manual Pajero Sport 2008
 - Distinguishing Credible Sources
13. Promoting Lifelong Learning
- Utilizing eBooks for Skill Development
 - Exploring Educational eBooks
14. Embracing eBook Trends
- Integration of Multimedia Elements
 - Interactive and Gamified eBooks

Workshop Manual Pajero Sport 2008 Introduction

In the digital age, access to information has become easier than ever before. The ability to download Workshop Manual Pajero Sport 2008 has revolutionized the way we consume written content. Whether you are a student looking for course material, an avid reader searching for your next favorite book, or a professional seeking research papers, the option to download Workshop Manual Pajero Sport 2008 has opened up a world of possibilities. Downloading Workshop Manual Pajero Sport 2008 provides numerous advantages over physical copies of books and documents. Firstly, it is incredibly convenient. Gone are the days of carrying around heavy textbooks or bulky folders filled with papers. With the click of a button, you can

gain immediate access to valuable resources on any device. This convenience allows for efficient studying, researching, and reading on the go. Moreover, the cost-effective nature of downloading Workshop Manual Pajero Sport 2008 has democratized knowledge. Traditional books and academic journals can be expensive, making it difficult for individuals with limited financial resources to access information. By offering free PDF downloads, publishers and authors are enabling a wider audience to benefit from their work. This inclusivity promotes equal opportunities for learning and personal growth. There are numerous websites and platforms where individuals can download Workshop Manual Pajero Sport 2008. These websites range from academic databases offering research papers and journals to online libraries with an expansive collection of books from various genres. Many authors and publishers also upload their work to specific websites, granting readers access to their content without any charge. These platforms not only provide access to existing literature but also serve as an excellent platform for undiscovered authors to share their work with the world. However, it is essential to be cautious while downloading Workshop Manual Pajero Sport 2008. Some websites may offer pirated or illegally obtained copies of copyrighted material. Engaging in such activities not only violates copyright laws but also undermines the efforts of authors, publishers, and researchers. To ensure ethical downloading, it is advisable to utilize reputable websites that prioritize the legal distribution of content. When downloading Workshop Manual Pajero Sport 2008, users should also consider the potential security risks associated with online platforms. Malicious actors may exploit vulnerabilities in unprotected websites to distribute malware or steal personal information. To protect themselves, individuals should ensure their devices have reliable antivirus software installed and validate the legitimacy of the websites they are downloading from. In conclusion, the ability to download Workshop Manual Pajero Sport 2008 has transformed the way we access information. With the convenience, cost-effectiveness, and accessibility it offers, free PDF downloads have become a popular choice for students, researchers, and book lovers worldwide. However, it is crucial to engage in ethical downloading practices and prioritize personal security when utilizing online platforms. By doing so, individuals can make the most of the vast array of free PDF resources available and embark on a journey of continuous learning and intellectual growth.

FAQs About Workshop Manual Pajero Sport 2008 Books

How do I know which eBook platform is the best for me? Finding the best eBook platform depends on your reading preferences and device compatibility. Research different platforms, read user reviews, and explore their features before making a choice. Are free eBooks of good quality? Yes, many reputable platforms offer high-quality free eBooks, including classics and public domain works. However, make sure to verify the source to ensure the eBook credibility. Can I read eBooks without an eReader? Absolutely! Most eBook platforms offer webbased readers or mobile apps that allow you to read

eBooks on your computer, tablet, or smartphone. How do I avoid digital eye strain while reading eBooks? To prevent digital eye strain, take regular breaks, adjust the font size and background color, and ensure proper lighting while reading eBooks. What the advantage of interactive eBooks? Interactive eBooks incorporate multimedia elements, quizzes, and activities, enhancing the reader engagement and providing a more immersive learning experience. Workshop Manual Pajero Sport 2008 is one of the best book in our library for free trial. We provide copy of Workshop Manual Pajero Sport 2008 in digital format, so the resources that you find are reliable. There are also many Ebooks of related with Workshop Manual Pajero Sport 2008. Where to download Workshop Manual Pajero Sport 2008 online for free? Are you looking for Workshop Manual Pajero Sport 2008 PDF? This is definitely going to save you time and cash in something you should think about. If you trying to find then search around for online. Without a doubt there are numerous these available and many of them have the freedom. However without doubt you receive whatever you purchase. An alternate way to get ideas is always to check another Workshop Manual Pajero Sport 2008. This method for see exactly what may be included and adopt these ideas to your book. This site will almost certainly help you save time and effort, money and stress. If you are looking for free books then you really should consider finding to assist you try this. Several of Workshop Manual Pajero Sport 2008 are for sale to free while some are payable. If you arent sure if the books you would like to download works with for usage along with your computer, it is possible to download free trials. The free guides make it easy for someone to free access online library for download books to your device. You can get free download on free trial for lots of books categories. Our library is the biggest of these that have literally hundreds of thousands of different products categories represented. You will also see that there are specific sites catered to different product types or categories, brands or niches related with Workshop Manual Pajero Sport 2008. So depending on what exactly you are searching, you will be able to choose e books to suit your own need. Need to access completely for Campbell Biology Seventh Edition book? Access Ebook without any digging. And by having access to our ebook online or by storing it on your computer, you have convenient answers with Workshop Manual Pajero Sport 2008 To get started finding Workshop Manual Pajero Sport 2008, you are right to find our website which has a comprehensive collection of books online. Our library is the biggest of these that have literally hundreds of thousands of different products represented. You will also see that there are specific sites catered to different categories or niches related with Workshop Manual Pajero Sport 2008 So depending on what exactly you are searching, you will be able tochoose ebook to suit your own need. Thank you for reading Workshop Manual Pajero Sport 2008. Maybe you have knowledge that, people have search numerous times for their favorite readings like this Workshop Manual Pajero Sport 2008, but end up in harmful downloads. Rather than reading a good book with a cup of coffee in the afternoon, instead they juggled with some harmful bugs inside their laptop. Workshop Manual Pajero Sport 2008 is available in our book collection an online access to it is set as public so you can download it instantly. Our digital library spans in multiple locations, allowing you to get the most less latency time to

download any of our books like this one. Merely said, Workshop Manual Pajero Sport 2008 is universally compatible with any devices to read.

Find Workshop Manual Pajero Sport 2008 :

wolf lullaby study guide

~~winneba nurses admission list~~

wissenschaftliche praktische medienpolitik politische daueraufgabe

wireless sensor networks deployments and design frameworks

witch storm banned and the banished book 2

witnesses to mystery investigations into christs relics

~~wisp of a thing a novel of the tufa tufa novels~~

wolf tracks men of passion colorado 6 siren publishing menage everlasting

witch other stories anton chekhov ebook

wise highs wise highs

~~wiser in battle a soldiers story~~

winter adventures of three boys in the great lone land

witchblade redemption volume 4 tp

~~wolfsbane tales of a traveler book two time travel series~~

winning your husband back before its too late

Workshop Manual Pajero Sport 2008 :

genealogies des rois et princes d europe french edition - Apr 11 2023

web oct 22 1998 *genealogies des rois et princes d europe french edition by jean charles volkmann oct 22 1998 editions jean*

paul gisserot edition *genealogies des*

généalogie des rois et des princes d europe decitre - Jun 13 2023

web nov 17 1998 *des notices explicatives et des arbres généalogiques clairs et détaillés présentent les différentes dynasties*

qui se sont succédé sur le trône sont également étudiés onze pays d europe où le régime monarchique n existe plus tels les

anciens empires allemand austro hongrois ou russe ou les pays balkaniques sans oublier la

généalogie des rois et des princes d europe librairie eyrolles - Apr 30 2022

web des notices explicatives et des arbres généalogiques clairs et détaillés présentent les différentes dynasties qui se sont succédé sur le trône sont également étudiés onze pays d europe où le régime monarchique n existe plus tels les anciens empires allemand austro hongrois ou russe ou les pays balkaniques sans oublier la france

télécharger pdf genealogies des rois et princes d europe gratuit - Aug 03 2022

web nov 18 1998 livres liés genealogies des rois et princes d europe le réveil le petit paie 2022 l essentiel en bref 2022 la lance de gentem 2 les protecteurs le mystère jubillar sarà perché ti amo un prénom en trop prix de la gendarmerie nationale 2022 agatha raisin enquête 31 au galop

généalogies des rois et des princes paperback 18 nov 1998 - Mar 30 2022

web buy généalogies des rois et des princes by volkmann jean charles isbn 9782877473743 from amazon s book store everyday low prices and free delivery on eligible orders

liste des anciens monarques encore vivants wikipédia - Dec 27 2021

web liste des souverains les plus riches du monde familles royales belge britannique danoise espagnole grecque marocaine néerlandaise norvégienne et suédoise princières liechtensteinoise et monégasque grand ducale luxembourgeoise

genealogies des rois et princes d europe copertina flessibile - Jun 01 2022

web des notices explicatives et des arbres généalogiques clairs et détaillés présentent les différentes dynasties qui se sont succédé sur le trône sont également étudiés onze pays d europe où le régime monarchique n existe plus tels les anciens empires allemand austro hongrois ou russe ou les pays balkaniques sans oublier la france

généalogie des rois et princes d europe amazon ca - Jul 02 2022

web généalogie des rois et princes d europe volkmann jean charles amazon ca books

genealogies des rois et princes d europe amazon de - Feb 09 2023

web genealogies des rois et princes d europe volkmann jean charles isbn 9782877473743 kostenloser versand für alle bücher mit versand und verkauf duch amazon

genealogies des rois et princes d europe by jean charles - Jan 08 2023

web connaître les généalogies des rois et des princes d europe et de la chronologie de l histoire de france buy généalogie des rois et des princes d europe by jean charles volkmann

généalogie des rois et des princes d europe furet du nord - Oct 05 2022

web nov 17 1998 des notices explicatives et des arbres généalogiques clairs et détaillés présentent les différentes dynasties qui se sont succédé sur le trône sont également étudiés onze pays d europe où le régime monarchique n existe plus tels les anciens empires allemand austro hongrois ou russe ou les pays balkaniques sans oublier la

généalogie des rois et princes d europe amazon ca - Feb 26 2022

web [généalogie des rois et princes d europe volkmann jean charles amazon ca books](#)
[genealogies des rois et princes d europe amazon de](#) - Nov 06 2022

web [genealogies des rois et princes d europe volkmann jean charles amazon de books](#)
[maisons régnantes d europe wikipédia](#) - Jan 28 2022

web [il existe dix monarchies héréditaires en europe sur lesquelles règnent sept familles trois lignées agnatiques d origine française et quatre lignées agnatiques d origine allemande princesses et princes héritiers des maisons régnantes d europe](#)
[genealogies des rois et princes d europe amazon fr](#) - Jul 14 2023

web [genealogies des rois et princes d europe broché 18 novembre 1998 de nos jours existent sur le continent européen dis royaumes ou principautés du symbole de la tradition que constitue le trône britannique aux maisons princières de monaco ou de lichtenstein](#)

généalogies des rois et des princes jean charles volkmann - Mar 10 2023

web [généalogies des rois et des princes jean charles volkmann editions jean paul gisserot 1998 europe 127 pages](#)

genealogies des rois et princes d europe by jean charles - Sep 04 2022

web [aug 17 2023 genealogies des rois et princes d europe by jean charles histoire des reines l envers de l histoire livre bien connatre les gnalogies des rois de france genealogies des rois et princes d europe genealogies des rois et princes d europe babelio genealogies des rois et princes d europe jean charles in buy](#)

[généalogies des rois et princes d europe lalibrairie com](#) - May 12 2023

web [nov 18 1998 découvrez et achetez le livre généalogies des rois et princes d europe écrit par jean charles volkmann chez j p gisserot sur lalibrairie com](#)

[genealogies des rois et princes d europe babelio](#) - Dec 07 2022

web [nov 18 1998 genealogies des rois et princes d europe ajouter à mes livres jean charles volkmann ean 9782877473743 127 pages jean paul gisserot 18 11 1998 4 4 5 5 notes résumé](#)
[généalogies des rois et princes d europe fnac](#) - Aug 15 2023

web [généalogies des rois et princes d europe jean charles volkmann gisserot editions des milliers de livres avec la livraison chez vous en 1 jour ou en magasin avec 5 de réduction généalogies des rois et princes d europe jean charles volkmann achat livre fnac](#)

[clanbook white wolf wiki fandom](#) - Sep 02 2023

web [each of the thirteen clans in vampire the masquerade received their own clanbook under the vampire the masquerade second edition rules and later a revised clanbook under the vampire the masquerade revised edition rules original v tm clanbooks clanbook brujah clanbook gangrel clanbook malkavian clanbook nosferatu clanbook](#)

clanbook malkavian revised edition vampire the masquerade clanbooks - Oct 23 2022

web clanbook malkavian revised edition vampire the masquerade clanbooks by heinig jess skemp ethan isbn 10 1565042689 isbn 13 9781565042681 white wolf publishing 2000 softcover

vampire the masquerade clanbooks noble knight games - Feb 12 2022

web vampire the masquerade clanbooks they stalk in the shadows moving gracefully and unseen among their prey they are the blood drinking fiends of whispered legends kindred cainites the damned above all they are vampires their eternal struggle waged since the nights of jericho and babylon plays itself out among the skyscrapers and

vampire the masqueradec lanbook malkavian 1995 - Oct 03 2023

web vampire the masqueradec lanbook malkavian 1995 usage attribution noderivatives 4 0 international topics fabiana hakin 187535 null debil atwood devil panews bt p 74a9818b 6e9e 467d komiks robot kretyni robert

clanbook malkavian revised by jess heinig goodreads - Apr 28 2023

web vampire the masquerade clanbooks clanbook malkavian revised jess heinig ethan skemp 3 84 379 ratings6 reviews the circle of chaos the childer of malkav bear two curses undeath and madness from emotionless sociopaths to raving lunatics and everything in between the malkavians nonetheless command startling insight

clanbook malkavian vampire the masquerade clanbooks - May 18 2022

web clanbook malkavian vampire the masquerade clanbooks by ethan skemp and jess heinig 0 ratings 0 want to read 0 currently reading 0 have read

malkavian vampire the masquerade clanbooks kağıt kapak - Aug 01 2023

web malkavian vampire the masquerade clanbooks wieck stewart amazon com tr kitap

clanbook malkavian revised edition vampire the masquerade clanbooks - Mar 28 2023

web may 22 2000 clanbook malkavian revised edition vampire the masquerade clanbooks paperback may 22 2000 by jess heinig author ethan skemp author 4 8 4 8 out of 5 stars 38 ratings

clanbook malkavian revised edition white wolf vampire - Feb 24 2023

web as part of the revised lineup of clanbooks malkavian takes one of the classic sourcebooks for the game and brings it into a modern context all new information accompanies a re examination of earlier concepts allowing you to add as much depth to

clanbook malkavian 2000 white wolf publishing edition - Jul 20 2022

web malkavian clan book for vampire the masquerade giving the history of the clan new powers and malkavian templates

clanbook malkavian white wolf wiki fandom - Jun 30 2023

web see also clanbook malkavian revised clanbook malkavian is a sourcebook for vampire the masquerade detailing much of the information for clan malkavian the book is subtitled method in the madness from the white wolf catalog the story of adam

and his sire madame laveel or was it a story

malkavian vtm white wolf wiki fandom - Jan 26 2023

web camarilla disciplines pre v5 auspex obfuscate dementation formerly dominate v5 auspex obfuscate dominate vtmb2
auspex dementation bane fractured perspective or unnatural manifestations compulsion delusion malkavians are the brood of
malkav and one of the great vampiric clans

clanbook malkavian vampire the masquerade amazon com - Dec 25 2022

web dec 1 1995 mark smith madness is a double edged sword reviewed in the united states on november 29 1999 the
malkavian clan book is at first a laugh riot for any vampire player but for those who want to be from the clan of malkav it will
rapidly become a book of continued refrence

clanbook malkavian revised white wolf wiki fandom - May 30 2023

web fantasy horror see also clanbook malkavian first edition clanbook malkavian revised is a sourcebook for vampire the
masquerade revised edition detailing the secrets of the malkavian clan from the white wolf catalog a history of the clan as
told to a young malkavian named daniel by a voice inside his head

clanbook malkavian revised edition vampire the masquerade clanbooks - Sep 21 2022

web may 15 2019 customer service guaranteed clanbook malkavian revised edition vampire the masquerade clanbooks
clanbook malkavian revised edition vampire the masquerade clanbooks by heinig jess new paperback 2000 goldbooks

clanbook malkavian rpgnet rpg game index - Aug 21 2022

web malkavian clan book for vampire the masquerade giving the history of the clan new powers and malkavian templates
game editions add edition notes on editions there are 2 editions of clanbook malkavian click on an individual title below for
more information on that edition game editions comments reviews all rpgnet reviews

vampire the masquerade clanbook malkavian revised - Mar 16 2022

web download vampire the masquerade clanbook malkavian revised free in pdf format account 157 55 39 11 login register
search search partner sites youtube to mp3 converter about us this project started as a student project in 2014 and was
presented in 2017 every aspect of the internet we believe ought to be free

clanbook malkavian 1st edition vampire the masquerade - Jun 18 2022

web clanbook malkavian offers a complete overview of the clan with new skills expanded discipline abilities and complete
history of the clan from its inception to the modern nights detailed notes regarding the most famous and infamous of the clan
members as well as starting templates for character creation round out a well done package

vampire the masquerade clanbooks series by graeme davis goodreads - Apr 16 2022

web each of the thirteen clans in vampire the masquerade received their own clanbook under the vampire the masquerade

second edition rules and later a revised clanbook under the vampire the masquerade revised edition rules since then additional clanbooks have been clanbook assamite by graeme davis

vampire the masquerade clan novel series goodreads - Nov 23 2022

web vampire the masquerade clan novel series 14 primary works 18 total works detailing the events of the clan novel saga involving the eye of hazimel and the fall of atlanta to the sabbat is comprised of 13 novels one for each clan and a short story anthology

spaces of global knowledge google books - Jul 03 2022

web global knowledge was constructed communicated and contested during the long nineteenth century in numerous ways and places this book focuses on the life geographies material practices and varied contributions to knowledge be they medical or botanical cartographic or cultural of actors whose lives crisscrossed an increasingly

spaces of global knowledge exhibition encounter and exchange - Oct 06 2022

web nov 13 2015 spaces of global knowledge exhibition encounter and exchange in an age of empire studies in historical geography finnegan diarmid a wright jonathan jeffrey on amazon com free shipping on qualifying offers

spaces of global knowledge google books - Jun 02 2022

web this volume makes an original and compelling contribution to a growing body of scholarship on the global history of knowledge given its wide geographic disciplinary and thematic range this book will appeal to a broad readership including historical geographers and specialists in history of science and medicine imperial history museum

spaces of global knowledge google books - Sep 05 2022

web this volume makes an original and compelling contribution to a growing body of scholarship on the global history of knowledge given its wide geographic disciplinary and thematic range this book will appeal to a broad readership including historical geographers and specialists in history of science and medicine imperial history museum

studies in historical geography spaces of global knowledge - Nov 07 2022

web global knowledge was constructed communicated and contested during the long nineteenth century in numerous ways and places this book focuses on the life geographies material practices and varied contributions to knowledge be they medical or botanical cartographic or cultural of actors whose lives crisscrossed an increasingly connected

spaces of global knowledge exhibition encounter and - Jul 15 2023

web given its wide geographic disciplinary and thematic range this book will appeal to a broad readership including historical geographers and specialists in history of science and medicine imperial history museum studies and book history

spaces of global knowledge exhibition encounter and - Mar 11 2023

web buy spaces of global knowledge exhibition encounter and exchange in an age of empire studies in historical geography 1

by finnegan diarmid a wright jonathan jeffrey isbn 9781472444363 from amazon s book store everyday low prices and free delivery on eligible orders

mpri the globalization of knowledge in history the - Jun 14 2023

web in the past challenges such as an unstable equilibrium of population density the scarcity of nutrition resources a change in ecological conditions the emergence of new knowledge or new technologies or shifts in economic and political power structures triggered phases of intense globalization

spaces of global knowledge uk education collection - Apr 12 2023

web feb 17 2020 this volume makes an original and compelling contribution to a growing body of scholarship on the global history of knowledge given its wide geographic disciplinary and thematic range this book will appeal to a broad readership including historical geographers and specialists in history of science and medicine imperial history

studies in historical geography studies in historical geography - Aug 16 2023

web sep 25 2019 spaces of global knowledge exhibition encounter and exchange in an age of empire 1st edition by diarmid a finnegan jonathan jeffrey wright february 12 2018 global knowledge was constructed communicated and contested during the long nineteenth century in numerous ways and places

spaces of global knowledge studies in historical download - Jan 29 2022

web places similar to history amusement and a lot more it is your no question own time to action reviewing habit in the middle of guides you could enjoy now is spaces of global knowledge studies in historical below spaces of global knowledge studies in historical 2020 12 29 cortez spence global knowledge production in the social

spaces of global knowledge exhibition encounter and - May 13 2023

web spaces of global knowledge exhibition encounter and exchange in an age of empire studies in historical geography 1st edition kindle edition by diarmid a finnegan author jonathan jeffrey wright author format kindle

spaces of global knowledge exhibition encounter and - Dec 08 2022

web abebooks com spaces of global knowledge exhibition encounter and exchange in an age of empire studies in historical geography 9781472444363 by finnegan diarmid a wright jonathan jeffrey and a great selection of similar new used and collectible books available now at great prices

spaces of global knowledge exhibition encounter and - Jan 09 2023

web spaces of global knowledge exhibition encounter and exchange in an age of empire studies in historical geography by finnegan diarmid a wright jonathan jeffrey at abebooks co uk isbn 10 113854681x isbn 13 9781138546813 routledge 2018

spaces of global knowledge google books - Feb 27 2022

web this book focuses on the life geographies material practices and varied contributions to knowledge be they medical or

botanical cartographic or cultural of actors whose lives crisscrossed an increasingly connected world

spaces of global knowledge on apple books - Mar 31 2022

web mar 9 2016 this volume makes an original and compelling contribution to a growing body of scholarship on the global history of knowledge given its wide geographic disciplinary and thematic range this book will appeal to a broad readership including historical geographers and specialists in history of science and medicine imperial history

the world s fairs as spaces of global knowledge latin american - May 01 2022

web by understanding the world s fairs as spaces of global knowledge this article highlights the agency of latin american scientists intellectuals and collectors in the transnational endeavour to create a latin american antiquity at the fairgrounds

spaces of global knowledge exhibition encounter and - Feb 10 2023

web feb 12 2018 spaces of global knowledge exhibition encounter and exchange in an age of empire studies in historical geography finnegan diarmid a wright jonathan jeffrey on amazon com free shipping on qualifying offers

spaces of global knowledge exhibition encounter and - Dec 28 2021

web spaces of global knowledge exhibition encounter and exchange in an age of empire studies in historical geography

jonathan jeffrey wright young glory and the spanish cruiser a call for proposals closed

spaces of global knowledge overdrive - Aug 04 2022

web mar 9 2016 global knowledge was constructed communicated and contested during the long nineteenth century in numerous ways and places this book focuses on the life geographies material practices and varied contributions to knowledge be they medical or