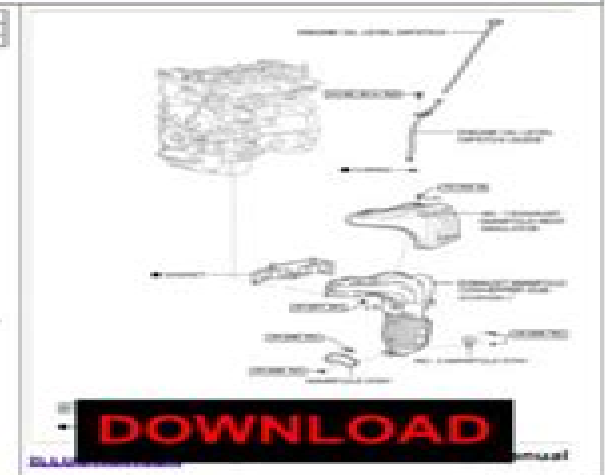
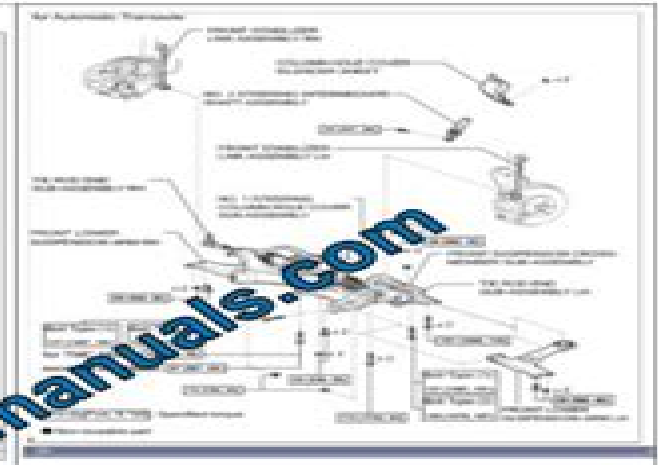
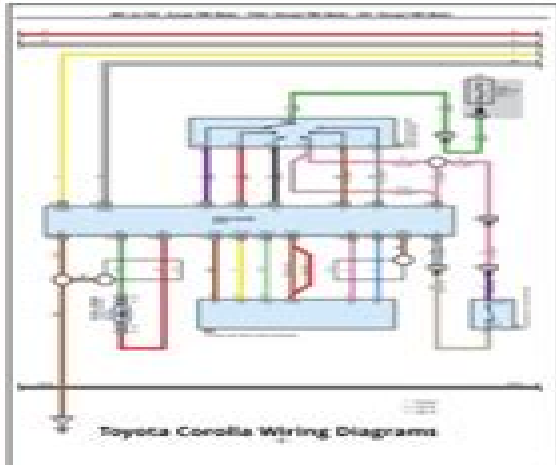




DOWNLOAD Toyota Corolla

Workshop Service Repair Manual + Wiring Diagrams 2000-2013



Official Toyota Corolla 2000-2013 Factory Workshop Manual

Covers all repairs and servicing: Engine, Gearbox, Brakes, Suspension, Steering, Timing, Cooling, Lubrication, Lights, Wiring, charging system, Air conditioning, Diagnostics etc

Toyota Corolla 2010 Service Repair Manual

IM Harris



Toyota Corolla 2010 Service Repair Manual:

Embark on a transformative journey with its captivating work, Discover the Magic in **Toyota Corolla 2010 Service Repair Manual** . This enlightening ebook, available for download in a convenient PDF format , invites you to explore a world of boundless knowledge. Unleash your intellectual curiosity and discover the power of words as you dive into this riveting creation. Download now and elevate your reading experience to new heights .

<https://ftp.barnabastoday.com/data/uploaded-files/Documents/Under%20The%20Tree%20The%20Toys%20And%20Treats%20That%20Made%20Christmas%20Special%201930%20197.pdf>

Table of Contents Toyota Corolla 2010 Service Repair Manual

1. Understanding the eBook Toyota Corolla 2010 Service Repair Manual
 - The Rise of Digital Reading Toyota Corolla 2010 Service Repair Manual
 - Advantages of eBooks Over Traditional Books
2. Identifying Toyota Corolla 2010 Service Repair Manual
 - Exploring Different Genres
 - Considering Fiction vs. Non-Fiction
 - Determining Your Reading Goals
3. Choosing the Right eBook Platform
 - Popular eBook Platforms
 - Features to Look for in an Toyota Corolla 2010 Service Repair Manual
 - User-Friendly Interface
4. Exploring eBook Recommendations from Toyota Corolla 2010 Service Repair Manual
 - Personalized Recommendations
 - Toyota Corolla 2010 Service Repair Manual User Reviews and Ratings
 - Toyota Corolla 2010 Service Repair Manual and Bestseller Lists
5. Accessing Toyota Corolla 2010 Service Repair Manual Free and Paid eBooks
 - Toyota Corolla 2010 Service Repair Manual Public Domain eBooks
 - Toyota Corolla 2010 Service Repair Manual eBook Subscription Services

- Toyota Corolla 2010 Service Repair Manual Budget-Friendly Options
- 6. Navigating Toyota Corolla 2010 Service Repair Manual eBook Formats
 - ePub, PDF, MOBI, and More
 - Toyota Corolla 2010 Service Repair Manual Compatibility with Devices
 - Toyota Corolla 2010 Service Repair Manual Enhanced eBook Features
- 7. Enhancing Your Reading Experience
 - Adjustable Fonts and Text Sizes of Toyota Corolla 2010 Service Repair Manual
 - Highlighting and Note-Taking Toyota Corolla 2010 Service Repair Manual
 - Interactive Elements Toyota Corolla 2010 Service Repair Manual
- 8. Staying Engaged with Toyota Corolla 2010 Service Repair Manual
 - Joining Online Reading Communities
 - Participating in Virtual Book Clubs
 - Following Authors and Publishers Toyota Corolla 2010 Service Repair Manual
- 9. Balancing eBooks and Physical Books Toyota Corolla 2010 Service Repair Manual
 - Benefits of a Digital Library
 - Creating a Diverse Reading Collection Toyota Corolla 2010 Service Repair Manual
- 10. Overcoming Reading Challenges
 - Dealing with Digital Eye Strain
 - Minimizing Distractions
 - Managing Screen Time
- 11. Cultivating a Reading Routine Toyota Corolla 2010 Service Repair Manual
 - Setting Reading Goals Toyota Corolla 2010 Service Repair Manual
 - Carving Out Dedicated Reading Time
- 12. Sourcing Reliable Information of Toyota Corolla 2010 Service Repair Manual
 - Fact-Checking eBook Content of Toyota Corolla 2010 Service Repair Manual
 - Distinguishing Credible Sources
- 13. Promoting Lifelong Learning
 - Utilizing eBooks for Skill Development
 - Exploring Educational eBooks
- 14. Embracing eBook Trends

- Integration of Multimedia Elements
- Interactive and Gamified eBooks

Toyota Corolla 2010 Service Repair Manual Introduction

In the digital age, access to information has become easier than ever before. The ability to download Toyota Corolla 2010 Service Repair Manual has revolutionized the way we consume written content. Whether you are a student looking for course material, an avid reader searching for your next favorite book, or a professional seeking research papers, the option to download Toyota Corolla 2010 Service Repair Manual has opened up a world of possibilities. Downloading Toyota Corolla 2010 Service Repair Manual provides numerous advantages over physical copies of books and documents. Firstly, it is incredibly convenient. Gone are the days of carrying around heavy textbooks or bulky folders filled with papers. With the click of a button, you can gain immediate access to valuable resources on any device. This convenience allows for efficient studying, researching, and reading on the go. Moreover, the cost-effective nature of downloading Toyota Corolla 2010 Service Repair Manual has democratized knowledge. Traditional books and academic journals can be expensive, making it difficult for individuals with limited financial resources to access information. By offering free PDF downloads, publishers and authors are enabling a wider audience to benefit from their work. This inclusivity promotes equal opportunities for learning and personal growth. There are numerous websites and platforms where individuals can download Toyota Corolla 2010 Service Repair Manual. These websites range from academic databases offering research papers and journals to online libraries with an expansive collection of books from various genres. Many authors and publishers also upload their work to specific websites, granting readers access to their content without any charge. These platforms not only provide access to existing literature but also serve as an excellent platform for undiscovered authors to share their work with the world. However, it is essential to be cautious while downloading Toyota Corolla 2010 Service Repair Manual. Some websites may offer pirated or illegally obtained copies of copyrighted material. Engaging in such activities not only violates copyright laws but also undermines the efforts of authors, publishers, and researchers. To ensure ethical downloading, it is advisable to utilize reputable websites that prioritize the legal distribution of content. When downloading Toyota Corolla 2010 Service Repair Manual, users should also consider the potential security risks associated with online platforms. Malicious actors may exploit vulnerabilities in unprotected websites to distribute malware or steal personal information. To protect themselves, individuals should ensure their devices have reliable antivirus software installed and validate the legitimacy of the websites they are downloading from. In conclusion, the ability to download Toyota Corolla 2010 Service Repair Manual has transformed the way we access information. With the convenience, cost-effectiveness, and accessibility it offers, free PDF downloads have become a popular choice for students, researchers, and book lovers worldwide. However, it is crucial to

engage in ethical downloading practices and prioritize personal security when utilizing online platforms. By doing so, individuals can make the most of the vast array of free PDF resources available and embark on a journey of continuous learning and intellectual growth.

FAQs About Toyota Corolla 2010 Service Repair Manual Books

1. Where can I buy Toyota Corolla 2010 Service Repair Manual books? Bookstores: Physical bookstores like Barnes & Noble, Waterstones, and independent local stores. Online Retailers: Amazon, Book Depository, and various online bookstores offer a wide range of books in physical and digital formats.
2. What are the different book formats available? Hardcover: Sturdy and durable, usually more expensive. Paperback: Cheaper, lighter, and more portable than hardcovers. E-books: Digital books available for e-readers like Kindle or software like Apple Books, Kindle, and Google Play Books.
3. How do I choose a Toyota Corolla 2010 Service Repair Manual book to read? Genres: Consider the genre you enjoy (fiction, non-fiction, mystery, sci-fi, etc.). Recommendations: Ask friends, join book clubs, or explore online reviews and recommendations. Author: If you like a particular author, you might enjoy more of their work.
4. How do I take care of Toyota Corolla 2010 Service Repair Manual books? Storage: Keep them away from direct sunlight and in a dry environment. Handling: Avoid folding pages, use bookmarks, and handle them with clean hands. Cleaning: Gently dust the covers and pages occasionally.
5. Can I borrow books without buying them? Public Libraries: Local libraries offer a wide range of books for borrowing. Book Swaps: Community book exchanges or online platforms where people exchange books.
6. How can I track my reading progress or manage my book collection? Book Tracking Apps: Goodreads, LibraryThing, and Book Catalogue are popular apps for tracking your reading progress and managing book collections. Spreadsheets: You can create your own spreadsheet to track books read, ratings, and other details.
7. What are Toyota Corolla 2010 Service Repair Manual audiobooks, and where can I find them? Audiobooks: Audio recordings of books, perfect for listening while commuting or multitasking. Platforms: Audible, LibriVox, and Google Play Books offer a wide selection of audiobooks.
8. How do I support authors or the book industry? Buy Books: Purchase books from authors or independent bookstores. Reviews: Leave reviews on platforms like Goodreads or Amazon. Promotion: Share your favorite books on social media or recommend them to friends.

9. Are there book clubs or reading communities I can join? Local Clubs: Check for local book clubs in libraries or community centers. Online Communities: Platforms like Goodreads have virtual book clubs and discussion groups.
10. Can I read Toyota Corolla 2010 Service Repair Manual books for free? Public Domain Books: Many classic books are available for free as they're in the public domain. Free E-books: Some websites offer free e-books legally, like Project Gutenberg or Open Library.

Find Toyota Corolla 2010 Service Repair Manual :

under the tree the toys and treats that made christmas special 1930 1970

[ultralieve pro user manual](#)

un estado y medio israel y el conflicto perfecto

[ulm detail gestalten ffentlichen raum](#)

[ukulele kids fun easy learn](#)

[ultimate computer repair guide](#)

[un certain sourire roman](#)

[uncle johns bathroom reader plunges into ohio](#)

ultimate ponzi the the scott rothstein story

[ultimate stretching guide](#)

[ultra wideband circuits transceivers and systems integrated circuits and systems](#)

[ultimate signspotting absurd & amusing signs from around the world general pictorial](#)

understanding attachment and attachment disorders understanding attachment and attachment disorders

um abschied geht nun exil

understanding credit reports note taking guide

Toyota Corolla 2010 Service Repair Manual :

races of eberron dungeons dragons supplement a rac pdf - Nov 04 2022

web this dungeons and dragons supplement brings stormreach to life with information on the movers and shakers both in front of and behind the scenes ready to use adversaries to challenge your characters adventure hooks to spice up your game p 4 of cover

races of eberron dungeons dragons lore wiki fandom - Mar 08 2023

web races of eberron is a 192 page sourcebook for dungeons dragons 3 5 released in april 2005 heroes ready for anything anywhere dauntless adventurers arise from among the spirited races of the warforged shifters changelings and kalashtar these bold explorers hurl themselves into the most

[races of eberron dungeons dragons supplement a race series](#) - Mar 28 2022

web races of eberron dungeons dragons supplement a race series 3 3 races of eberron national geographic books this full length adventure for the newest d d campaign setting is designed to showcase many of the most unique traits of the eberron realm secrets of sarlona wizards of the coast the city of towers launches a brand new novel line set in

races of eberron dungeons dragons supplement a race series copy - Feb 24 2022

web races of eberron dungeons dragons supplement a race series 2019 10 06 compton mohammad monster manual iv wizards of the coast this full length adventure for the newest d d campaign setting is designed to showcase many of the most unique traits of the eberron realm player s guide to eberron wizards of the coast explore the dark

[races of the dragon eberron wiki fandom](#) - May 10 2023

web this supplement for the dungeons dragons game provides detailed informatin on the psychology society culture behavior religion and folklore of the dragonblooded races including kobolds and half dragons

[eberron races content general discussion d d beyond](#) - Feb 07 2023

web dec 11 2019 dungeon master s guide monster manual basic rules bigby presents glory of the giants eberron rising from the last war explorer s guide to wildemount fizban s treasury of dragons

races of eberron dungeons dragons supplement a race series copy - Oct 03 2022

web races of eberron dungeons dragons supplement a race series dungeons and dragons miniatures starter set jul 16 2020 a new updated starter set that contains everything necessary to start using d d miniatures the starter set provides all the starting materials a player needs to become familiar with dungeons dragons miniatures this

races of eberron dungeons dragons supplement a race series 2023 - Sep 02 2022

web races of eberron dungeons dragons supplement a race series omb no edited by cunningham bradshaw races of eberronthis new d d sourcebook details the major races of the eberron world with an in depth look at the new races of the eberron campaign setting including changelings the kalashtar shifters and the

races of eberron dungeons and dragons supplement google - Aug 13 2023

web a new d d sourcebook detailing the major races of the eberron tm world races of eberron tm provides dungeons dragons r players and dungeon masters with an in depth look at the

races of eberron dungeons and dragons v3 5 by jesse decker - Jul 12 2023

web may 31 2005 buy races of eberron dungeons and dragons v3 5 supplement a race series supplement dungeons dragons

supplement by jesse decker matthew sernett keith baker isbn 9780786936588 from amazon s book store everyday low prices and free delivery on eligible orders

races of eberron dungeons dragons supplement a rac - Apr 28 2022

web as this races of eberron dungeons dragons supplement a rac it ends in the works subconscious one of the favored ebook races of eberron dungeons dragons supplement a rac collections that we have this is why you remain in the best website to look the incredible book to have dungeon master s guide ii jesse decker 2005

races of eberron dungeons dragons supplement a rac pdf - Sep 14 2023

web races of eberron dungeons dragons supplement a rac dungeons dragons forgotten realms sep 10 2020 forgotten realms creator ed greenwood opens the adventures of an unlikely new band of heroes who get into a bit more trouble than usual in the fabled port city of waterdeep but soon discover some of the seedier corners of the

category races eberron wiki fandom - Apr 09 2023

web a list of all the playable races in the world of eberron trending pages changeling kalashtar warforged shifter inspired elf drow orc all items 64 a b c d e f

races of eberron dungeons dragons supplement a rac pdf - Aug 01 2022

web this book provides everything players and dungeon masters need to play dungeons dragons in eberron a war torn world filled with magic fueled technology airships and lightning trains where noir inspired mystery meets swashbuckling adventure

races of eberron dungeons dragons supplement a rac pdf - Jun 30 2022

web this book provides everything players and dungeon masters need to play dungeons dragons in eberron a war torn world filled with magic fueled technology airships and lightning trains where noir inspired mystery meets swashbuckling adventure

races of eberron dungeons dragons supplement a rac david - Dec 05 2022

web races of eberron dungeons dragons supplement a rac 1 downloaded from rjonline org on 2020 05 03 by guest races of eberron dungeons dragons supplement a rac right here we have countless book races of eberron dungeons dragons supplement a rac and collections to check out

races of eberron wikipedia - Oct 15 2023

web races of eberron is a supplement to the 3 5 edition of the dungeons dragons role playing game contents races of eberron is an accessory for the eberron setting that provides information on the races originally presented in the eberron campaign setting the warforged shifters changelings and kalashtar

amazon ca customer reviews races of eberron dungeons amp dragons - Jan 06 2023

web find helpful customer reviews and review ratings for races of eberron dungeons dragons supplement at amazon com read honest and unbiased product reviews from our users

races of eberron wikiproject dungeons dragons wiki - Jun 11 2023

web template short description races of eberron is a supplement to the 3 5 edition of the dungeons dragons role playing game races of eberron is an accessory for the eberron setting that provides information on the races originally presented in the eberron campaign setting the warforged

races of eberron dungeons and dragons keith baker ebay - May 30 2022

web aug 20 2023 condition very good quantity out of stock 2 sold price eur 23 52 approximatelyau 39 42 add to watchlist postage doesn t post to united states see details located in west sussex united kingdom delivery varies returns 30 day returns buyer pays for return postage see details payments

san rafael student sees the world but remembers his roots - Nov 13 2021

web 2 days ago students rising above nehemias gramajo 03 36 san rafael police departments all over the country are having a hard time finding new officers but one bay

save rafael or director patel in starfield entangled quest - Jan 16 2022

web sep 20 2023 you face a moral dilemma save rafael for a valuable crew member or save director patel for more rewards in starfield by omer dursun last updated sep 20

starfield should you save rafael dualshockers - Sep 23 2022

web sep 20 2023 by erin rice published sep 20 2023 you may be wondering if you should save rafael during starfield s entangled quest here s a guide to help you out quick

starfield save patel or rafael all outcomes the loadout - Feb 14 2022

web sep 11 2023 saving rafael will reward you with indicite wafer comm relay x2 vytinium x4 tasine x5 credits rafael can be hired as a crew member

should you save rafael or not in starfield segmentnext - Apr 30 2023

web oct 13 2023 saving rafael in starfield during the entangled main quest is one of the biggest moral dilemmas you will ever come across save rafael or the rest of the ship

saving rafael andersen press - May 20 2022

web saving rafael paperback 07 05 2009 9781842709184 rrp 6 99 synopsis there was a vehicle pulling up outside i heard the booted feet running up the stairs then the

should you save rafael or dr patel in starfield pc invasion - Mar 30 2023

web sep 11 2023 here are all the outcomes of picking rafael or dr patel in starfield and which one is better note if you don t want to worry about dr patel or rafael right now

rafayel on the left bank tripadvisor - May 08 2021

web about rafayel on the left bank boasts 70 designer smart rooms champagne bar riverside restaurant and conference facilities exhibition spaces as well as the latest spa

dance rafael bonachela is embracing his spanish roots - Dec 27 2022

web oct 31 2023 until now bonachela 51 who left spain as a teenager cannot fully articulate why now feels like the right time to return to his roots for inspiration i have lived 35

help with funerals and bereavement raf benevolent fund - Jul 10 2021

web for applications over 750 we need to arrange a caseworker visit either in person or virtually please call us on 0300 102 1919 or make an enquiry for help online and we can

starfield should you save rafael s or patel s universe or both - Dec 15 2021

web sep 11 2023 starfield should you save rafael s or patel s universe or both entangled rafael s universe players must stay in the demolished research facility and turn off the

starfield entangled quest guide can you save everyone - Aug 03 2023

web oct 3 2023 saving rafael rewards if you save rafael instead of everyone else you will be rewarded with 800 xp and 14 800 credits additionally rafael will reward you with

should you save rafael or director patel starfield - Oct 25 2022

web sep 19 2023 if you save rafael by stopping the experiment in the timeline where the explosion happened you will get just over 10k credits and rafael will give you some

starfield should you save rafael in the entangled mission - Jun 01 2023

web sep 14 2023 saving rafael does mean condemning dr patel and her whole team of researchers to a tragic death you will get more credits for saving dr patel however

savoll save money for a better tomorrow - Aug 11 2021

web customers in loyalty programs are 62 more likely to spend more on your brand and 59 more likely to choose your company over the competition 66 of customers say the

griffin phoenix dvd etsy in 2023 dvd movies movies - Jun 08 2021

web may 8 2023 this movies item is sold by endlessmedia ships from springfield or listed on aug 4 2023

starfield entangled walkthrough rewards xp tips - Nov 25 2022

web nov 3 2023 saving rafael nets you 17000 credits and you can recruit him as a companion from the viewport in new atlantis his skills are outpost engineering level 1

starfield entangled should you save rafael s universe - Aug 23 2022

web sep 9 2023 there is a choice to save rafael or maria s universe during starfield s entangled mission but there s also the

chance to save them both zack palm

starfield entangled walkthrough dualshockers - Jun 20 2022

web sep 18 2023 this guide provides a comprehensive walkthrough of the entangled quest including a secret method for saving the npcs in both realities starting the quest

2023 11 02 rafael fernandez radio cx36 archive org - Sep 11 2021

web 2023 11 02 rafael fernandez radio cx36 free download borrow and streaming internet archive webamp volume 90 1 2023 11 02 rafael fernandez 07 33

starfield entangled should you save rafael s universe patel s - Jul 22 2022

web sep 9 2023 when you reach the end of entangled you ll have to choose to between them although there is a chance to save them both here s what you need if you should save

starfield should you save rafael in entangled gamespot - Sep 04 2023

web sep 15 2023 what happens if you save rafael you can save rafael in starfield by shutting down the terminals and the experiment in the dark world in doing so he ll give

starfield entangled mission how to save both universes pc - Apr 18 2022

web oct 4 2023 in this guide we will cover how you can save both rafael and all of his colleagues earning yourself 19 000 credits and a legendary reward to boot

the starfield entangled choice and which universe to save - Oct 05 2023

web sep 13 2023 save rafael s universe by collapsing director patel and the nishina base s universe save director patel and the nishina base s universe by collapsing rafael s

amazon com saving rafael 9781842709184 wilson leslie books - Feb 26 2023

web jul 9 2010 every school english department ought to have a set of saving rafael in the stock cupboard read more one person found this helpful report debashree

three things with rafael bonachela no app gives me the - Jan 28 2023

web 1 day ago f or sydney dance company s latest production somos its artistic director rafael bonachela is reflecting on his past and in a funny way i guess it did save me

make money online today starfield save rafael or not what - Jul 02 2023

web sep 16 2023 save rafael if you want a loyal companion on your adventures otherwise choose to save many lives and gain unique gear how to make more money

mikel arteta was incendiary and unreasonable the perfect post - Oct 13 2021

web 18 hours ago mikel arteta s exasperation with var calls sparked a memorable outburst the post match interview

skilfully wielded can be a sharp tool in the manager's arsenal but

entangled walkthrough how to save both universes main - Mar 18 2022

web if you choose to only save rafael's universe you will miss out on the experimental nishina spacesuit and experimental nishina helmet if you choose to only save patel's universe

socra webinars home - May 12 2023

web self study self study articles provide members with an opportunity to learn regulations guidance and industry updates self studies may be used for ce towards recertification browse socra source socra's quarterly journal is now offered electronically browse socra members

submit an article for publication socra - Oct 05 2022

web socra source self study articles submit an article for publication certification reference manual annual report socra blog submit a blog for publication

socra source self study help environment harvard edu - Apr 30 2022

web socra source self study this is likewise one of the factors by obtaining the soft documents of this socra source self study by online you might not require more period to spend to go to the books creation as skillfully as search for them in some cases you likewise pull off not discover the notice socra source self study that you are looking

socra source self study admission cbp edu pe - Dec 27 2021

web socra source self study 5 5 palliative social work is a comprehensive evidence informed text that addresses the needs of professionals who provide interdisciplinary culturally sensitive biopsychosocial spiritual care for patients and families living with life threatening illness social workers from diverse settings will benefit from its

socra study guide medair - Sep 04 2022

web socra exam study guide the socra source offers one self study article per issue each self study offers 1 ce certified members may use articles toward their ce requirement from issues published during their current certification period twelve 12 issues are published during a 3 year certification period

free socra source journal self study may 2013 - Feb 26 2022

web socra source journal self study may 2013 fostering a relational pedagogy nov 20 2021 through critical qualitative creative and arts integrated approaches this collection seeks to advance teacher self study and through it transformative praxis reconceptualizing teaching practice apr 13 2021

no cost continuing education information for recertification - Feb 09 2023

web self studies socra source 12 ce you may complete the socra source self study articles included in the quarterly journal each self study article gives 1 ce credit you may submit up to 12 self studies from your current certification period if you are

in need of any past self studies the pdf s can be emailed to you
socra source self study agenciaojs mincyt gob ar - Mar 30 2022

web it is your utterly own times to pretense reviewing habit accompanied by guides you could enjoy now is socra source self study below the educated mind kieran egan 2007 12 01 the educated mind offers a bold and revitalizing new vision for today s uncertain educational system kieran egan reconceives education taking into account how we learn

faqs socra - Mar 10 2023

web clinical research faqs see below for our most frequently asked questions if the information below doesn t answer your questions please email us at office socra org how do i become a clinical research associate cra there are a lot of paths to become a cra

socra webinars socra source self studies webinars - Jun 13 2023

web socra self studies access the self studies from the socra source quarterly journal below the socra self studies are a member only benefit and can be used for socra ce there are a total of 12 ceus you can claim over the course of your three year certification period

online clinical research courses socra - Dec 07 2022

web these online courses offer affordable convenient access to quality education socra s online courses are intended to provide access to training and continuing education that will promote quality clinical research protect the welfare of

socra training and certification exam education training - Nov 06 2022

web ycci hosts the society of clinical research associates socra clinical research professional certification program prep course and exam once a year socra is a non profit charitable and educational membership organization that provides education certification and networking opportunities to everyone involved in clinical research

descriptions of acceptable ce socra - Jan 08 2023

web descriptions of acceptable ce because of the diversity of socra membership a specific listing of approved ce programs will not be developed the description of acceptable ce table below serves as a guide for evaluating ce programs

self study articles socra - Aug 15 2023

web the socra source offers one self study article per issue each self study offers 1 ce certified members may use articles toward their ce requirement from issues published during their current certification period twelve 12 issues are published during a 3 year certification period socra members can access past self studies here

socra membership overview socra - Aug 03 2022

web socra membership overview socra membership is available to all clinical research professionals who work with cooperative research groups academic government and private institutions pharmaceutical and biotechnology companies

device manufacturers cross independent research and development organizations and those who are
no cost socra recert clinical research resource hub - Jun 01 2022

web feb2014 2 other no cost ce information socra offers nolcost basicgcpandresearchprotections onlineeducationthroughciti
socra source self study guide forms indiraedu - Jul 02 2022

web socra source self study guide and bestseller lists 5 accessing socra source self study guide free and paid ebooks socra
source self study guide public domain ebooks socra source self study guide ebook subscription services socra source self
study guide budget friendly options 6 navigating socra source self study guide

download free socra source self study cyberlab sutd edu sg - Jan 28 2022

web socra source self study self study in physical education teacher education jun 30 2022 in this in depth examination of self
study as a research methodology an international selection of physical education scholars share their ideas and experiences
and consider the value of self study as a vector for

socra webinars socra source journal webinars - Apr 11 2023

web the may 2023 issue of the socra source journal for clinical research excellence is now available this issue contains
relevant and timely scientific articles as well as your quarterly self study for ce credit

socra source - Jul 14 2023

web socra source self study articles submit an article for publication certification reference manual annual report socra blog
submit a blog for publication