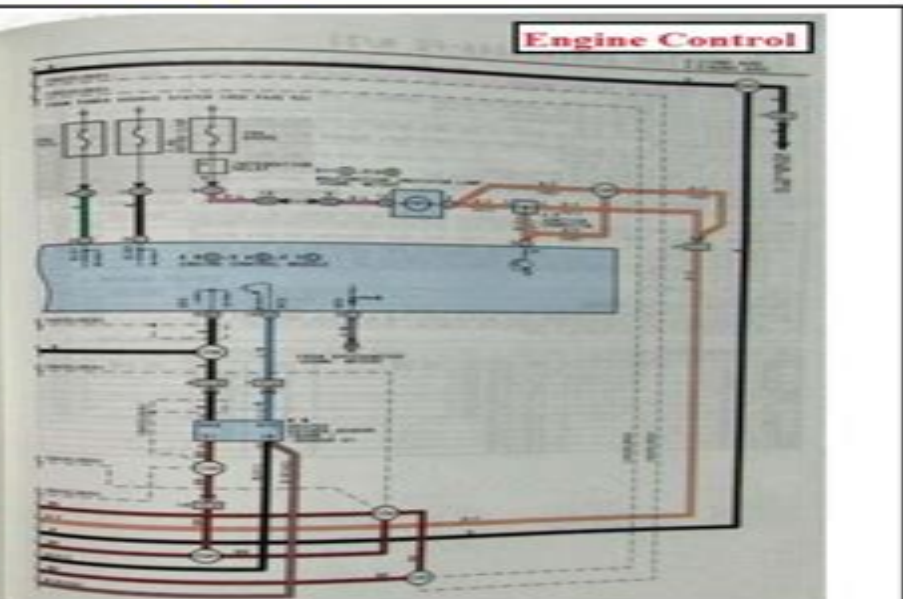
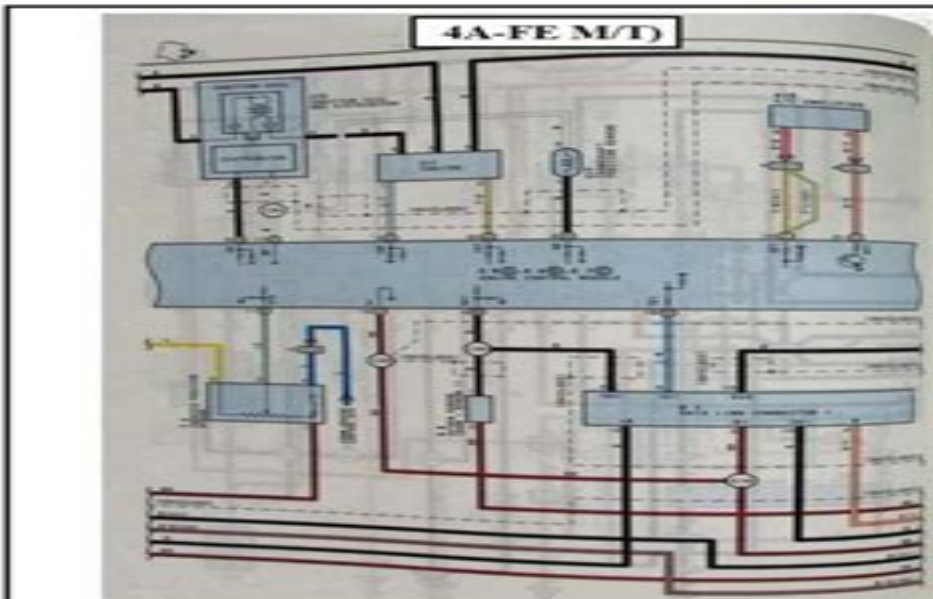
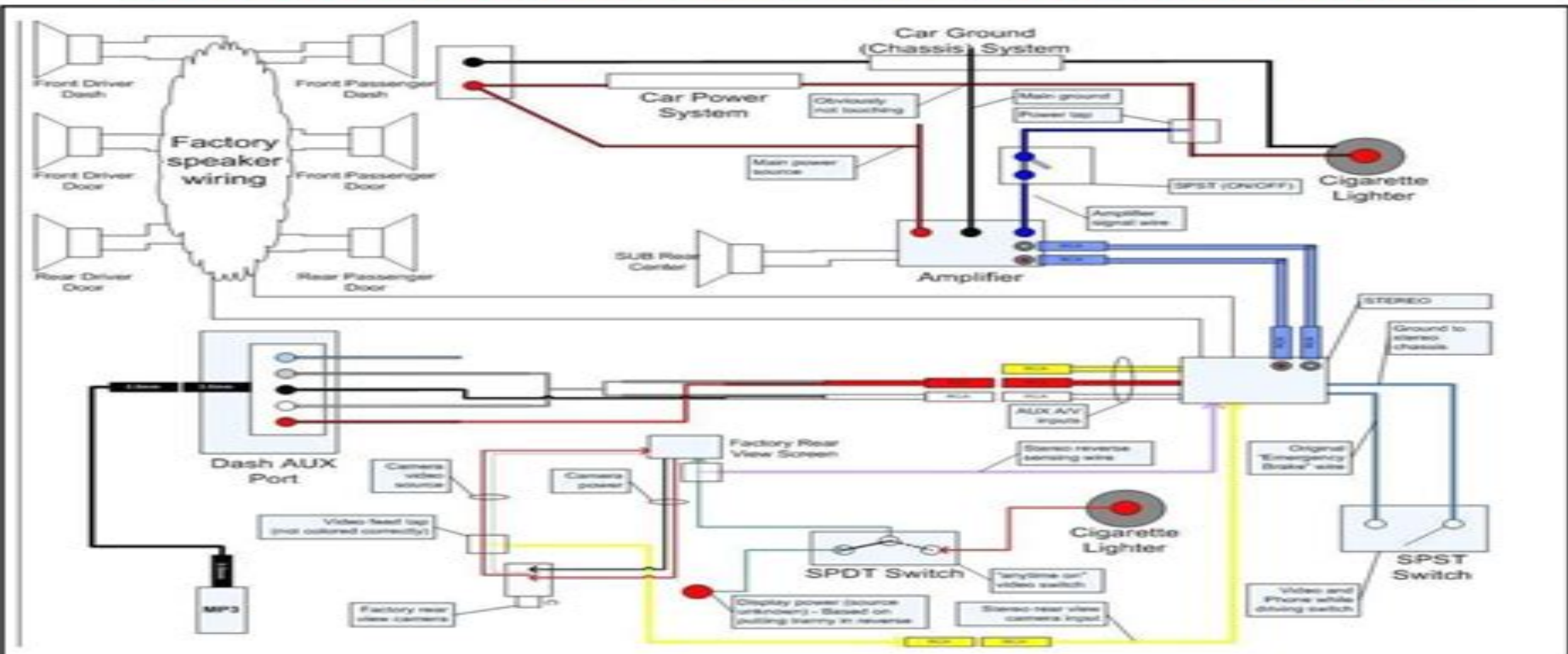


# TOYOTA COROLLA ELECTRIC WIRING DIAGRAM



# Toyota Corolla Electrical Wiring Diagram 2007 Model

**SJ Ball**



## **Toyota Corolla Electrical Wiring Diagram 2007 Model:**

## **Toyota Corolla Electrical Wiring Diagram 2007 Model** Book Review: Unveiling the Magic of Language

In an electronic era where connections and knowledge reign supreme, the enchanting power of language has become much more apparent than ever. Its power to stir emotions, provoke thought, and instigate transformation is really remarkable. This extraordinary book, aptly titled "**Toyota Corolla Electrical Wiring Diagram 2007 Model**," compiled by a highly acclaimed author, immerses readers in a captivating exploration of the significance of language and its profound effect on our existence. Throughout this critique, we shall delve to the book's central themes, evaluate its unique writing style, and assess its overall influence on its readership.

<https://ftp.barnabastoday.com/results/browse/HomePages/Vce%20Chemistry%20Aspirin%20Sac.pdf>

### **Table of Contents Toyota Corolla Electrical Wiring Diagram 2007 Model**

1. Understanding the eBook Toyota Corolla Electrical Wiring Diagram 2007 Model
  - The Rise of Digital Reading Toyota Corolla Electrical Wiring Diagram 2007 Model
  - Advantages of eBooks Over Traditional Books
2. Identifying Toyota Corolla Electrical Wiring Diagram 2007 Model
  - Exploring Different Genres
  - Considering Fiction vs. Non-Fiction
  - Determining Your Reading Goals
3. Choosing the Right eBook Platform
  - Popular eBook Platforms
  - Features to Look for in a Toyota Corolla Electrical Wiring Diagram 2007 Model
  - User-Friendly Interface
4. Exploring eBook Recommendations from Toyota Corolla Electrical Wiring Diagram 2007 Model
  - Personalized Recommendations
  - Toyota Corolla Electrical Wiring Diagram 2007 Model User Reviews and Ratings
  - Toyota Corolla Electrical Wiring Diagram 2007 Model and Bestseller Lists

5. Accessing Toyota Corolla Electrical Wiring Diagram 2007 Model Free and Paid eBooks
  - Toyota Corolla Electrical Wiring Diagram 2007 Model Public Domain eBooks
  - Toyota Corolla Electrical Wiring Diagram 2007 Model eBook Subscription Services
  - Toyota Corolla Electrical Wiring Diagram 2007 Model Budget-Friendly Options
6. Navigating Toyota Corolla Electrical Wiring Diagram 2007 Model eBook Formats
  - ePub, PDF, MOBI, and More
  - Toyota Corolla Electrical Wiring Diagram 2007 Model Compatibility with Devices
  - Toyota Corolla Electrical Wiring Diagram 2007 Model Enhanced eBook Features
7. Enhancing Your Reading Experience
  - Adjustable Fonts and Text Sizes of Toyota Corolla Electrical Wiring Diagram 2007 Model
  - Highlighting and Note-Taking Toyota Corolla Electrical Wiring Diagram 2007 Model
  - Interactive Elements Toyota Corolla Electrical Wiring Diagram 2007 Model
8. Staying Engaged with Toyota Corolla Electrical Wiring Diagram 2007 Model
  - Joining Online Reading Communities
  - Participating in Virtual Book Clubs
  - Following Authors and Publishers Toyota Corolla Electrical Wiring Diagram 2007 Model
9. Balancing eBooks and Physical Books Toyota Corolla Electrical Wiring Diagram 2007 Model
  - Benefits of a Digital Library
  - Creating a Diverse Reading Collection Toyota Corolla Electrical Wiring Diagram 2007 Model
10. Overcoming Reading Challenges
  - Dealing with Digital Eye Strain
  - Minimizing Distractions
  - Managing Screen Time
11. Cultivating a Reading Routine Toyota Corolla Electrical Wiring Diagram 2007 Model
  - Setting Reading Goals Toyota Corolla Electrical Wiring Diagram 2007 Model
  - Carving Out Dedicated Reading Time
12. Sourcing Reliable Information of Toyota Corolla Electrical Wiring Diagram 2007 Model
  - Fact-Checking eBook Content of Toyota Corolla Electrical Wiring Diagram 2007 Model
  - Distinguishing Credible Sources
13. Promoting Lifelong Learning

- Utilizing eBooks for Skill Development
  - Exploring Educational eBooks
14. Embracing eBook Trends
- Integration of Multimedia Elements
  - Interactive and Gamified eBooks

### **Toyota Corolla Electrical Wiring Diagram 2007 Model Introduction**

Toyota Corolla Electrical Wiring Diagram 2007 Model Offers over 60,000 free eBooks, including many classics that are in the public domain. Open Library: Provides access to over 1 million free eBooks, including classic literature and contemporary works. Toyota Corolla Electrical Wiring Diagram 2007 Model Offers a vast collection of books, some of which are available for free as PDF downloads, particularly older books in the public domain. Toyota Corolla Electrical Wiring Diagram 2007 Model : This website hosts a vast collection of scientific articles, books, and textbooks. While it operates in a legal gray area due to copyright issues, its a popular resource for finding various publications. Internet Archive for Toyota Corolla Electrical Wiring Diagram 2007 Model : Has an extensive collection of digital content, including books, articles, videos, and more. It has a massive library of free downloadable books. Free-eBooks Toyota Corolla Electrical Wiring Diagram 2007 Model Offers a diverse range of free eBooks across various genres. Toyota Corolla Electrical Wiring Diagram 2007 Model Focuses mainly on educational books, textbooks, and business books. It offers free PDF downloads for educational purposes. Toyota Corolla Electrical Wiring Diagram 2007 Model Provides a large selection of free eBooks in different genres, which are available for download in various formats, including PDF. Finding specific Toyota Corolla Electrical Wiring Diagram 2007 Model, especially related to Toyota Corolla Electrical Wiring Diagram 2007 Model, might be challenging as theyre often artistic creations rather than practical blueprints. However, you can explore the following steps to search for or create your own Online Searches: Look for websites, forums, or blogs dedicated to Toyota Corolla Electrical Wiring Diagram 2007 Model, Sometimes enthusiasts share their designs or concepts in PDF format. Books and Magazines Some Toyota Corolla Electrical Wiring Diagram 2007 Model books or magazines might include. Look for these in online stores or libraries. Remember that while Toyota Corolla Electrical Wiring Diagram 2007 Model, sharing copyrighted material without permission is not legal. Always ensure youre either creating your own or obtaining them from legitimate sources that allow sharing and downloading. Library Check if your local library offers eBook lending services. Many libraries have digital catalogs where you can borrow Toyota Corolla Electrical Wiring Diagram 2007 Model eBooks for free, including popular titles. Online Retailers: Websites like Amazon, Google Books, or Apple Books often sell eBooks. Sometimes, authors or publishers offer promotions or free periods for certain books. Authors Website Occasionally, authors provide excerpts or short stories for free on their websites. While

this might not be the Toyota Corolla Electrical Wiring Diagram 2007 Model full book , it can give you a taste of the authors writing style.Subscription Services Platforms like Kindle Unlimited or Scribd offer subscription-based access to a wide range of Toyota Corolla Electrical Wiring Diagram 2007 Model eBooks, including some popular titles.

### **FAQs About Toyota Corolla Electrical Wiring Diagram 2007 Model Books**

How do I know which eBook platform is the best for me? Finding the best eBook platform depends on your reading preferences and device compatibility. Research different platforms, read user reviews, and explore their features before making a choice. Are free eBooks of good quality? Yes, many reputable platforms offer high-quality free eBooks, including classics and public domain works. However, make sure to verify the source to ensure the eBook credibility. Can I read eBooks without an eReader? Absolutely! Most eBook platforms offer web-based readers or mobile apps that allow you to read eBooks on your computer, tablet, or smartphone. How do I avoid digital eye strain while reading eBooks? To prevent digital eye strain, take regular breaks, adjust the font size and background color, and ensure proper lighting while reading eBooks. What the advantage of interactive eBooks? Interactive eBooks incorporate multimedia elements, quizzes, and activities, enhancing the reader engagement and providing a more immersive learning experience. Toyota Corolla Electrical Wiring Diagram 2007 Model is one of the best book in our library for free trial. We provide copy of Toyota Corolla Electrical Wiring Diagram 2007 Model in digital format, so the resources that you find are reliable. There are also many Ebooks of related with Toyota Corolla Electrical Wiring Diagram 2007 Model. Where to download Toyota Corolla Electrical Wiring Diagram 2007 Model online for free? Are you looking for Toyota Corolla Electrical Wiring Diagram 2007 Model PDF? This is definitely going to save you time and cash in something you should think about.

### **Find Toyota Corolla Electrical Wiring Diagram 2007 Model :**

[vce chemistry aspirin sac](#)

[ven y dime como vives andanzas](#)

[verizon wireless htc thunderbolt manual](#)

[\*\*vector control of ac drives\*\*](#)

[verado 150 service manual](#)

[velvet drive 72 marine transmission service manual](#)

[vega a860 case](#)

[veranderend licht uit het deens vertaald door gerard cruys](#)

**vehicular networking automotive applications and beyond**

[verizon lg env2 manual](#)

[verduras y hortalizas blume jardineria spanish edition](#)

[veinte cuentos hispanoamericanos del siglo xx](#)

**vergleich ergonomischer bewertungsmethoden subjektiven mitarbeiter**

**vermeer model 504 owners manual**

**veritas erwann feral**

### **Toyota Corolla Electrical Wiring Diagram 2007 Model :**

**toyota l52 transmission shift fork installation** - Oct 05 2022

web a 6 bolt shifter 1993 model years and fork toyota w series transmission dwg transmission removal amp installation  
autozone april 23rd 2018 autozone repair guide for your drive train manual transmission transmission removal amp  
installation shift the 2 shift fork install the transmission shift 4x4wire overhauling the toyota

[toyota l52 transmission shift fork installation](#) - Jan 28 2022

web may 27 2023 in the course of them is this toyota l52 transmission shift fork installation that can be your colleague  
along with instructions you could indulge in the present is toyota l52 transmission shift fork installation below we  
compensate for toyota l52 transmission shift fork installation and plentiful books selections from

**manual toyota 52 8fdjf35 forklift truck manuals manuell** - Aug 03 2022

web need a manual for your toyota 52 8fdjf35 forklift truck below you can view and download the pdf manual for free there  
are also frequently asked questions a product rating and feedback from users to enable you to optimally use your product if  
this is not the manual you want please contact us

[toyota l52 transmission shift fork installation jetpack theaoi](#) - Mar 10 2023

web find great deals on ebay for w56 transmission toyota r151 g52 l52 w56 transmission shifter will come as is with clutch  
fork and bolts to apply to transmission see appropriate transmission removal amp installation remove no 3 shift fork courtesy  
of toyota motor sales u s a inc shift amp select

[toyota l52 transmission shift fork installation](#) - Apr 11 2023

web toyota l52 transmission shift fork installation genuine oem parts for your toyota shift lever seat replacement off road com  
w56 transmission ebay allstate gear official site standard transmission parts cobra transmission mt1 20 manual transmission  
installation of transmission toyota oem shifter lever bushing



*toyota l52 parts illustration drivetrain com - Jun 13 2023*

web toyota l52 parts illustration quality parts guaranteed oe replacements assisting you in identification of the parts you need get it correct the first time and save money this toyota transmission was installed in pickup trucks 1980 1983 it s a 5 speed transmission

*toyota l52 transmission shift fork installation speakings gestamp - Sep 04 2022*

web jun 3 2023 toyota l52 transmission shift fork installation as one of the majority working sellers here will entirely be accompanied by by the best options to review this is likewise one of the aspects by acquiring the digital documents of this toyota l52 transmission shift fork installation by online

[toyota 02 5fd35 forklift service manual pdf download p2dsm](#) - Jun 01 2022

web toyota 02 5fd35 forklift service manual toyota 02 5fd35 forklift service manuals are available for immediate download this service is available for only 10 95 per download if you have a dirty old paper copy or a pdf copy on your computer and it crashed we can help your toyota 02 5fd35 forklift service manual will come to you in pdf format

**toyota manual transaxle 5 shift fork and lower housing** - Aug 15 2023

web oct 23 2021 the 5th video in a series on toyota manual transaxle overhaul and repair this video builds on the previous video s this video talks about the shift fork mechanism and the lower housing assembly

*toyota l52 transmission shift fork installation pdf full pdf - Nov 06 2022*

web toyota l52 transmission shift fork installation pdf 2023 web toyota l52 transmission shift fork installation pdf 1 1 downloaded from fastdata gluonhq com on january 16 2023 by guest toyota l52 transmission shift fork installation pdf eventually you will utterly discover a extra experience and execution by spending more cash yet when

*toyota l52 transmission shift fork installation pdf free - Dec 07 2022*

web toyota l52 transmission shift fork installation pdf pages 2 13 toyota l52 transmission shift fork installation pdf upload mita j robertson 2 13 downloaded from china int indonesia travel on september 8 2023 by mita j robertson the heads past the valves and into the combustion chamber the book covers blending the

**forklift ve İstif makinası İhtiyaçlarınıza kolay Çözüm** - Apr 30 2022

web İkinci el forklift alırken dikkat edin kısıtlı bir bütçeye sahipseniz ihtiyacınız olan forklift veya istif makinası için 2 el forklift seçeneğinden gayet tabii olarak öncelikli değerlendirmek suretiyle faydalanabilir ve böylece önemli bir devamını oku **toyota l52 transmission shift fork installation** - Feb 09 2023

web toyota l52 transmission shift fork installation manual transmission parts by make amp model toyota truck toyota w series manual transmissions pickup removal amp installation shift the 2 shift fork install the transmission shift shifter bushing cup for toyota trucks 5 speed core april 23rd 2018 simple installation remove

[toyota l52 transmission shift fork installation jetpack theaoi](#) - Dec 27 2021

web r151 transmission 5th shift fork fits jeep ax4 ax5 g40 g52 l45 l52 transmission 1st gear 33t fits toyota amp 84 manual or automatic we have the replacement transmission parts for your toyota from complete

[toyota l42 l45 l52 transmission parts distributors](#) - Jul 02 2022

web ax5 g52 l52 transmission 5th gear slider fits 81 93 jeep toyota with iron 5th fork 83500642 tpd pro line 49 77 59 99 add to cart compare jeep ax15 ax5 ax4 toyota r151 g40 g52 g57 g58 g59 l45 l52 transmission shifter bushing for end of stick tpd pro line 8 77 7 44 13 95 add to cart compare

[toyota l52 transmission shift fork installation](#) - Jan 08 2023

web aug 12 2023 toyota l52 transmission shift fork installation toyota transmission parts carid com wc engineering toyota c 5x transaxle standard transmission parts cobra transmission 4x4wire 1979 pickup 4 speed to 5 speed swap to install a l52 in place of a l43 you must change fork 1980 toyota 1997 3rz fe 2 7l rebuild kits amp

**toyota l52 transmission shift fork installation** - Mar 30 2022

web toyota l52 transmission shift fork installation toyota l52 transmission shift fork installation toyota shifter ball bushing and seat low range off road manual transmission worn shift fork youtube mt manual transmission genuine oem parts for your toyota shifting problems looking for a

**toyota l52 transmission shift fork installation pdf pdf status** - Jul 14 2023

web toyota l52 transmission shift fork installation pdf pdf status restek wwu edu created date 9 9 2023 6 28 46 pm

**toyota l52 transmission shift fork installation** - May 12 2023

web toyota l52 transmission shift fork installation manual standard parts amp rebuild kits may 1st 2018 manual standard parts amp rebuild kits ax15 r151 transmission 5th shift fork fits jeep ax4 ax5 g40 g52 l45 l52 transmission 1st gear 33t fits toyota amp 84 mt1 20 manual transmission installation of transmission

**toyota l series manual transmission overhaul kit drivetrain** - Feb 26 2022

web we offer parts for the following toyota l series 4 and 5 speed manual transmissions l40 l42 l45 and l52 some syncro ring kits are available separately other miscellaneous kit like gasket kits and snap rings are provided as well as a large selection of miscellaneous hard parts model cyl

**siamo liberi 7 anni in barca e l'avventura del ritorno youtube** - Nov 06 2022

web mollare tutto si può elena lo decide insieme al suo compagno claus un anno dopo aver visto la morte in faccia vendono la loro redditizia agenzia pubblicitaria

[siamo liberi sette anni in barca e l'avventura del ritorno](#) - Jun 13 2023

web acquista online il libro siamo liberi sette anni in barca e l'avventura del ritorno di elena sacco in offerta a prezzi

imbattibili su mondadori store

**siamo liberi sette anni in barca e l'avventura del ritorno sacco** - Feb 26 2022

web siamo liberi sette anni in barca e l'avventura del ritorno sacco elena amazon com au books

**siamo liberi sette anni in barca e l'avventura del ritorno** - Mar 30 2022

web isbn 13 9788861907416 siamo liberi sette anni in barca e l'avventura del ritorno mollare tutto si può elena lo decide insieme al suo compagno claus un anno dopo aver visto la morte in faccia vendono la loro redditizia agenzia pubblicitaria e partono sulla barca a vela viking destinazione mondo

*siamo liberi sette anni in barca e la avventura d pdf pdf* - Jan 08 2023

web curiosi dei viaggiatori il vecchio furgone si trasforma in un camper il camper in un autocaravan e l'autocaravan in una barca a vela ciò che non cambia è la sete di conoscenza dei viaggiatori le aspettative dell'imprevisto l'adattamento a circostanze inusitate la voglia di comunicare anche

siamo liberi sette anni in barca e la avventura d pdf - Dec 07 2022

web aug 7 2023 siamo liberi sette anni in barca e la avventura d pdf below l'italia che scrive 1962 anno 2022 lo spettacolo e lo sport ottava parte antonio giangrande antonio giangrande orgoglioso di essere diverso odio ostentazione imposizione e menzogna si nasce senza volerlo si muore senza volerlo si vive

**siamo liberi sette anni in barca e l'avventura del ritorno** - Jul 14 2023

web sette anni in barca e l'avventura del ritorno è un libro di elena sacco pubblicato da chiarelettere nella collana reverse acquista su ibs a 15 20 sette anni in barca e l'avventura del ritorno elena sacco libro chiarelettere reverse ibs

*download free siamo liberi sette anni in barca e la avventura d* - Oct 05 2022

web siamo liberi sette anni in barca e la avventura d l'avventura de michelangelo antonioni jun 12 2023 une fiche de référence sur l'avventura un chef d'oeuvre de michelangelo antonioni malgré l'injustice d'une telle formule on pourrait dire que l'avventura est le véritable premier film d'antonioni en tout cas celui dont

**siamo liberi sette anni in barca e l'avventura del ritorno** - Jun 01 2022

web dopo sette anni infatti elena decide di affrontare una nuova avventura riportare a casa i figli fa rotta verso una normalità tutta da conquistare e scopre tra fatiche e vittorie che ogni viaggio vero si misura sul ritorno

**siamo liberi sette anni in barca e l'avventura del ritorno** - Aug 03 2022

web acquista siamo liberi sette anni in barca e l'avventura del ritorno su libreria universitaria spedizione gratuita sopra i 25 euro su libreria universitaria

siamo liberi sette anni in barca e la avventura d pdf - Apr 30 2022

web siamo liberi sette anni in barca e la avventura d 3 3 del popolo per gli errori della prima fase di regno e per la violenta

campagna denigratoria di cui è vittima dimostra grande fermezza e coraggio negli anni della rivoluzione e nell'ottobre del 1793 dopo aver sfilato con estrema dignità tra la folla inferocita viene ghigliottinata

[siamo liberi libro di elena sacco macrolibrarsi](#) - Jul 02 2022

web siamo liberi libro sette anni in barca e l'avventura del ritorno elena sacco fuori catalogo descrizione scheda tecnica recensioni 0 torna su acquistati insieme descrizione questa è la storia di un viaggio verso un cambiamento e della fatica che aspetta coloro che decidono di fare ritorno mollare tutto si può

**siamo liberi sette anni in barca e l'avventura del ritorno** - Jan 28 2022

web da oltre 40 anni nel settore editoriale menu tutti arte classici informatica libri stranieri musica e spettacolo narrativa biografie e storie vere poesia e teatro prodotti non librari ragazzi scienza e tecnologia scienze sociali e umane scolastica settore non definito turismo varia

*siamo liberi sette anni in barca e l'avventura del ritorno* - May 12 2023

web compra siamo liberi sette anni in barca e l'avventura del ritorno spedizione gratuita su ordini idonei

[siamo liberi sette anni in barca e la avventura d download](#) - Dec 27 2021

web siamo liberi sette anni in barca e la avventura d 5 5 roma va in scena la battaglia di valle giulia a parigi a berlino e negli stati uniti centinaia di migliaia di persone manifestano nelle strade a città del messico il 3 ottobre a piazza delle tre culture l'esercito spara sugli studenti uccidendo centinaia di persone e ferendone

**siamo liberi sette anni in barca e l'avventura del ritorno goodreads** - Aug 15 2023

web oct 15 2015 elena sacco 3 72 18 ratings 3 reviews mollare tutto si può elena lo decide insieme al suo compagno claus un anno dopo aver visto la morte in faccia vendono la loro redditizia agenzia pubblicitaria e partono sulla barca a vela viking destinazione mondo la ciurma è la famiglia claus elena la figlia di sette anni nicole e jonathan appena nato

*siamo liberi sette anni in barca e l'avventura del ritorno yamana* - Feb 09 2023

web dec 13 2015 mollare tutto si può elena lo decide insieme al suo compagno claus un anno dopo aver visto la morte in faccia vendono la loro redditizia agenzia pubblicitaria e partono sulla barca a vela viking destinazione mondo la ciurma è la famiglia claus elena la figlia di sette anni nicole e jonathan appena nato la rotta

[recensioni siamo liberi sette anni in barca e l'avventura del ritorno](#) - Mar 10 2023

web siamo liberi sette anni in barca e l'avventura del ritorno è un libro di elena sacco pubblicato da chiarelettere leggi le recensioni degli utenti e acquistalo online su ibs

**download ebook siamo liberi sette anni in barca e la avventura d** - Sep 04 2022

web download ebook siamo liberi sette anni in barca e la avventura d read pdf free in barca col piede giusto gertrude venice office of architecture in barcelona fantm as fin de siècle architecture in barcelona caldedon de la barca the barcelona process

barcelona class culture and conflict in barcelona 1898 1937 vela piccola guida alla vita di

**siamo liberi sette anni in barca e l'avventura del ritorno** - Apr 11 2023

web la ciurma è la famiglia claus elena la figlia di sette anni nicole e jonathan appena nato la rotta è impostata su un altrove che sembra irraggiungibile dal paradiso della

**l'ivresse des libellules laure manel livres furet du nord** - Jan 28 2022

web jun 3 2020 quatre couples d'amis décident de s'octroyer des vacances sans enfants dans une luxueuse bastide mais l'ambiance qui promettait d'être insouciant et idyllique ne tarde pas à se charger d'électricité

*l'ivresse des libellules laure manel google books* - Apr 11 2023

web apr 25 2019 on ne badine pas avec l'amour quatre couples d'amis dans la quarantaine décident de s'octroyer des vacances sans enfants dans une villa de rêve mais l'ambiance qui se voulait

*l'ivresse des libellules poche laure manel livre tous les* - Sep 04 2022

web jun 3 2020 l'ivresse des libellules laure manel auteur paru le 3 juin 2020 roman poche en français l'ivresse des libellules 4 36 avis 42 sur les autres formats demandez votre mastercard fnac vanden borre attention emprunter de l'argent coûte aussi de l'argent format poche voir tout poche 9 30 broché 18 90 texte lu cd

l'ivresse des libellules broché laure manel fnac - Oct 05 2022

web apr 4 2019 avis de la fnac après la délicatesse du homard et la mélancolie du kangourou laure manel enseignante dans le maine et loire et désormais auteure à succès revient avec un tout nouveau roman dont elle a le secret l'ivresse des libellules

**l'ivresse des libellules laure manel livre de poche** - Jun 13 2023

web jun 3 2020 romans quatre couples d'amis décident de s'octroyer des vacances sans enfants dans une luxueuse bastide mais l'ambiance qui promettait d'être insouciant et idyllique ne tarde pas à se charger d'électricité

*l'ivresse des libellules laure manel* - Jul 14 2023

web l'ivresse des libellules est un roman puissant sur l'amour l'amitié le pardon la liberté la prise de conscience le lâcher prise c'est rempli d'espoir et d'amour un roman qui nous rappelle indéniablement que rien n'est acquis dans la vie et que le doute est constant au sein d'un couple ou d'une amitié

**ivresse des libellules l manel laure 9782253934608 books** - Jul 02 2022

web c'est d'une plume de maître que l'écrivaine va nous faire vivre des vacances à plusieurs sans fioritures exagérées de douceurs en cris d'amertumes de fuites en réconciliations de pleurs en rires soirées de disputes en soirées de tendresses *amazon fr l'ivresse des libellules manel laure livres* - Mar 10 2023

web c'est d'une plume de maître que l'écrivaine va nous faire vivre des vacances à plusieurs sans fioritures exagérées de

douceurs en cris d amertumes de fuites en réconciliations de pleurs en rires soirées de disputes en soirées de

**amazon fr l ivresse des libellules manel laure livres** - Jan 08 2023

web l ivresse des libellules de laure manelme voila embarquée avec l ivresse des libellules en vacances en ardèche avec un groupe d amis qui partent pour une fois sans les enfants le début présentent les 9 personnages et leurs personnalités très bien décrivent mais qui ont fait que le démarrage a été un peu compliqué le temps que je

**l ivresse des libellules manel laure amazon com tr kitap** - May 12 2023

web arama yapmak istediğiniz kategoriye seçin

*l ivresse des libellules by laure manel goodreads* - Feb 09 2023

web apr 4 2019 l ivresse des libellules laure manel 3 57 390 ratings41 reviews quatre couples d amis dans la quarantaine décident de s octroyer des vacances sans enfants dans une villa de rêve mais l ambiance qui se voulait insouciant et idyllique ne tarde pas à se charger d électricité

*l ivresse des libellules laure manel senscritique* - Dec 27 2021

web jun 2 2020 l ivresse des libellules est un livre de laure manel résumé quatre couples d amis décident de s octroyer des vacances sans enfants dans une villa de rêve mais

**l ivresse des libellules ebook manel laure amazon fr livres** - Nov 06 2022

web l ivresse des libellules format kindle quatre couples d amis dans la quarantaine décident de s octroyer des vacances sans enfants dans une villa de rêve mais l ambiance qui se voulait insouciant et idyllique ne tarde pas à se charger d électricité la faute aux caractères et petites névroses de chacun aux modes de vie différents

critiques de l ivresse des libellules laure manel 224 babelio - Dec 07 2022

web apr 14 2019 revivre pendant un moment une seconde jeunesse valentine jeune femme récemment séparée de son compagnon est invitée par l une des quatre amies à les rejoindre cette femme va faire l effet d une bombe

l ivresse des libellules de laure manel grand format decitre - Aug 03 2022

web apr 4 2019 l histoire est racontée du point de vue de bee une jeune femme fan de marie curie bee ne veut pas d animaux ils meurent et encore moins une relation amoureuse les gens partent des raisons de se faire briser le coeur

**laure manel l ivresse des libellules 2019 1001ebooks** - Feb 26 2022

web apr 4 2019 laure manel l ivresse des libellules 2019 04 04 2019 1 774 télécharger gratuitement quatre couples d amis dans la quarantaine décident de s octroyer des vacances sans enfants dans une villa de rêve mais l ambiance qui se voulait insouciant et idyllique ne tarde pas à se charger d électricité

l ivresse des libellules laure manel babelio - Aug 15 2023

web jun 3 2020 trois couples qui ont décidé de s octroyer des vacances sans les enfants only for adults claire et jérôme le

[couple qui dure qui s aime à la perfection l exemple même de la réussite à deux caroline et sébastien un couple tout nouveau depuis six mois c est tout feu tout flamme](#)

[l ivresse des libellules laure manel 2749938473 cultura - Mar 30 2022](#)

web l ivresse des libellules par laure manel aux éditions michel lafon quatre couples d amis dans la quarantaine décident de s octroyer des vacances sans enfants dans une villa de rêve mais l ambiance qui se voulait insouciant et

[l ivresse des libellules amazon com tr kitap - Apr 30 2022](#)

web l ivresse des libellules amazon com tr kitap Çerez tercihlerinizi seçin Çerez bildirimimizde ayrıntılı şekilde açıklandığı üzere alışveriş yapmanızı sağlamak alışveriş deneyiminizi iyileştirmek ve hizmetlerimizi sunmak için gerekli olan çerezleri ve benzer araçları kullanırız

[l ivresse des libellules laure manel 2253934607 cultura - Jun 01 2022](#)

web l ivresse des libellules par laure manel aux éditions le livre de poche quatre couples d amis décident de s octroyer des vacances sans enfants dans une luxueuse bastide mais l ambiance qui promettait d être insouciant et idyllique