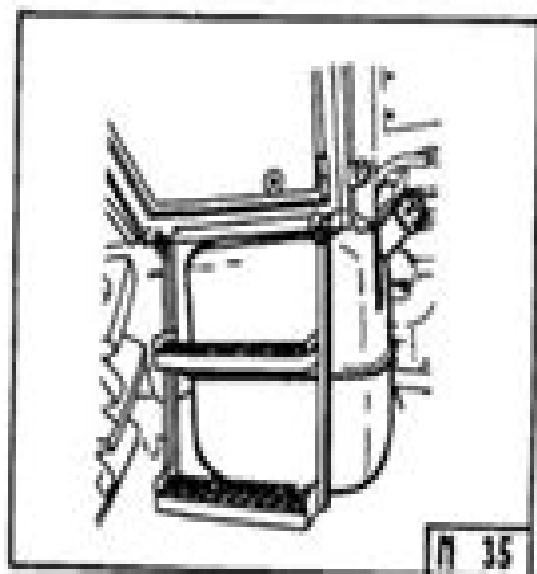


## FUEL TANKS



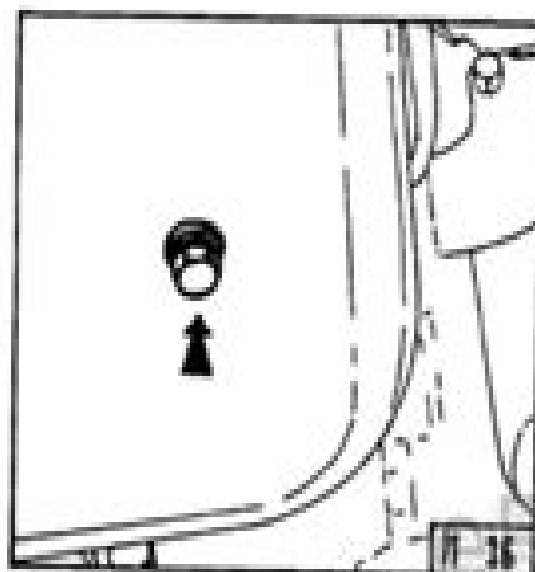
### FUEL TANKS

Fuel tanks installed as standard:

- 70 litres Z 4320 - 6340 and HORAL
- 55 litres Z 3320 and 3340
- 95 litres for Z 7320 and 7340 TURBO

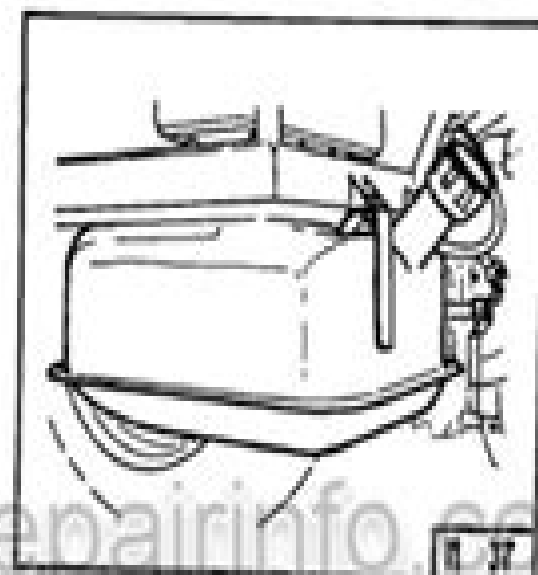
Optionally:

- 45 litres Z 3320 and 3340
- 55 litres Z 4320 - 6340 and HORAL
- 95 litres Z 6320 - 6340 and HORAL



### DRAIN HOLE

The drain hole for water and sediment is located in the fuel tank bottom.



### AVERAGE FUEL CONSUMPTION IN LITRES PER ENGINE HOUR OF ZETOR TRACTOR

Tractor type	Engine load		
	100%	80%	50%
Z 3320, 3340	10.2	8.4	6.4
Z 4320, 4340	12.8	10.6	8.0
Z 5320, 5340 + HORAL	14.1	11.6	8.8
Z 6320, 6340 + HORAL	14.9	12.3	9.3
Z 7320, 7340	14.9	12.3	9.3

# Zetor 3320 Operators Manual

**Ying-Ying Zheng**



**Zetor 3320 Operators Manual:**

Farmers and Consumers Market Bulletin ,2010      Operator's Manual ,1960      Operator's Manual ,1990  
**Operator's Manual** ,1991      Operator's Manual ,1990      Operator's manual ,1993      Operator's Manual for Truck,  
Tractor, 22 1/2-ton, 8 X 8, M746, (NSN 2320-00-089-7264). ,1976      **Operator's Manual** ,198?      **Operator's, Manual**  
,1990      Operator's Manual ,1989      **Operator's Manual** ,1981      **Operator's Manual** ,1985      **Operator's Manual**  
,1985      **Operator's Manual** ,1983      **Operator's Manual** ,1985      **Operator's manual** ,1996      **Operator's Manual;**  
**Tractors, 60** Oliver Corporation,Charles City (Iowa),1947      Operator's Manual ,1983      **Operator's Manual** ,1993  
*8450 and 8650 Tractors* ,1985

## **Zetor 3320 Operators Manual** Book Review: Unveiling the Magic of Language

In an electronic era where connections and knowledge reign supreme, the enchanting power of language has are more apparent than ever. Its ability to stir emotions, provoke thought, and instigate transformation is actually remarkable. This extraordinary book, aptly titled "**Zetor 3320 Operators Manual**," written by a highly acclaimed author, immerses readers in a captivating exploration of the significance of language and its profound effect on our existence. Throughout this critique, we will delve to the book is central themes, evaluate its unique writing style, and assess its overall influence on its readership.

<https://ftp.barnabastoday.com/About/Resources/fetch.php/Wonders%20Of%20The%20World%20Rough%20Guide%2025s.pdf>

### **Table of Contents Zetor 3320 Operators Manual**

1. Understanding the eBook Zetor 3320 Operators Manual
  - The Rise of Digital Reading Zetor 3320 Operators Manual
  - Advantages of eBooks Over Traditional Books
2. Identifying Zetor 3320 Operators Manual
  - Exploring Different Genres
  - Considering Fiction vs. Non-Fiction
  - Determining Your Reading Goals
3. Choosing the Right eBook Platform
  - Popular eBook Platforms
  - Features to Look for in an Zetor 3320 Operators Manual
  - User-Friendly Interface
4. Exploring eBook Recommendations from Zetor 3320 Operators Manual
  - Personalized Recommendations
  - Zetor 3320 Operators Manual User Reviews and Ratings
  - Zetor 3320 Operators Manual and Bestseller Lists

5. Accessing Zetor 3320 Operators Manual Free and Paid eBooks
  - Zetor 3320 Operators Manual Public Domain eBooks
  - Zetor 3320 Operators Manual eBook Subscription Services
  - Zetor 3320 Operators Manual Budget-Friendly Options
6. Navigating Zetor 3320 Operators Manual eBook Formats
  - ePub, PDF, MOBI, and More
  - Zetor 3320 Operators Manual Compatibility with Devices
  - Zetor 3320 Operators Manual Enhanced eBook Features
7. Enhancing Your Reading Experience
  - Adjustable Fonts and Text Sizes of Zetor 3320 Operators Manual
  - Highlighting and Note-Taking Zetor 3320 Operators Manual
  - Interactive Elements Zetor 3320 Operators Manual
8. Staying Engaged with Zetor 3320 Operators Manual
  - Joining Online Reading Communities
  - Participating in Virtual Book Clubs
  - Following Authors and Publishers Zetor 3320 Operators Manual
9. Balancing eBooks and Physical Books Zetor 3320 Operators Manual
  - Benefits of a Digital Library
  - Creating a Diverse Reading Collection Zetor 3320 Operators Manual
10. Overcoming Reading Challenges
  - Dealing with Digital Eye Strain
  - Minimizing Distractions
  - Managing Screen Time
11. Cultivating a Reading Routine Zetor 3320 Operators Manual
  - Setting Reading Goals Zetor 3320 Operators Manual
  - Carving Out Dedicated Reading Time
12. Sourcing Reliable Information of Zetor 3320 Operators Manual
  - Fact-Checking eBook Content of Zetor 3320 Operators Manual
  - Distinguishing Credible Sources
13. Promoting Lifelong Learning

- Utilizing eBooks for Skill Development
  - Exploring Educational eBooks
14. Embracing eBook Trends
- Integration of Multimedia Elements
  - Interactive and Gamified eBooks

### **Zetor 3320 Operators Manual Introduction**

In the digital age, access to information has become easier than ever before. The ability to download Zetor 3320 Operators Manual has revolutionized the way we consume written content. Whether you are a student looking for course material, an avid reader searching for your next favorite book, or a professional seeking research papers, the option to download Zetor 3320 Operators Manual has opened up a world of possibilities. Downloading Zetor 3320 Operators Manual provides numerous advantages over physical copies of books and documents. Firstly, it is incredibly convenient. Gone are the days of carrying around heavy textbooks or bulky folders filled with papers. With the click of a button, you can gain immediate access to valuable resources on any device. This convenience allows for efficient studying, researching, and reading on the go. Moreover, the cost-effective nature of downloading Zetor 3320 Operators Manual has democratized knowledge. Traditional books and academic journals can be expensive, making it difficult for individuals with limited financial resources to access information. By offering free PDF downloads, publishers and authors are enabling a wider audience to benefit from their work. This inclusivity promotes equal opportunities for learning and personal growth. There are numerous websites and platforms where individuals can download Zetor 3320 Operators Manual. These websites range from academic databases offering research papers and journals to online libraries with an expansive collection of books from various genres. Many authors and publishers also upload their work to specific websites, granting readers access to their content without any charge. These platforms not only provide access to existing literature but also serve as an excellent platform for undiscovered authors to share their work with the world. However, it is essential to be cautious while downloading Zetor 3320 Operators Manual. Some websites may offer pirated or illegally obtained copies of copyrighted material. Engaging in such activities not only violates copyright laws but also undermines the efforts of authors, publishers, and researchers. To ensure ethical downloading, it is advisable to utilize reputable websites that prioritize the legal distribution of content. When downloading Zetor 3320 Operators Manual, users should also consider the potential security risks associated with online platforms. Malicious actors may exploit vulnerabilities in unprotected websites to distribute malware or steal personal information. To protect themselves, individuals should ensure their devices have reliable antivirus software installed and validate the legitimacy of the websites they are downloading from. In conclusion, the ability to download Zetor 3320

Operators Manual has transformed the way we access information. With the convenience, cost-effectiveness, and accessibility it offers, free PDF downloads have become a popular choice for students, researchers, and book lovers worldwide. However, it is crucial to engage in ethical downloading practices and prioritize personal security when utilizing online platforms. By doing so, individuals can make the most of the vast array of free PDF resources available and embark on a journey of continuous learning and intellectual growth.

## **FAQs About Zetor 3320 Operators Manual Books**

**What is a Zetor 3320 Operators Manual PDF?** A PDF (Portable Document Format) is a file format developed by Adobe that preserves the layout and formatting of a document, regardless of the software, hardware, or operating system used to view or print it. **How do I create a Zetor 3320 Operators Manual PDF?** There are several ways to create a PDF: Use software like Adobe Acrobat, Microsoft Word, or Google Docs, which often have built-in PDF creation tools. Print to PDF: Many applications and operating systems have a "Print to PDF" option that allows you to save a document as a PDF file instead of printing it on paper. Online converters: There are various online tools that can convert different file types to PDF. **How do I edit a Zetor 3320 Operators Manual PDF?** Editing a PDF can be done with software like Adobe Acrobat, which allows direct editing of text, images, and other elements within the PDF. Some free tools, like PDFescape or Smallpdf, also offer basic editing capabilities. **How do I convert a Zetor 3320 Operators Manual PDF to another file format?** There are multiple ways to convert a PDF to another format: Use online converters like Smallpdf, Zamzar, or Adobe Acrobat's export feature to convert PDFs to formats like Word, Excel, JPEG, etc. Software like Adobe Acrobat, Microsoft Word, or other PDF editors may have options to export or save PDFs in different formats. **How do I password-protect a Zetor 3320 Operators Manual PDF?** Most PDF editing software allows you to add password protection. In Adobe Acrobat, for instance, you can go to "File" -> "Properties" -> "Security" to set a password to restrict access or editing capabilities. Are there any free alternatives to Adobe Acrobat for working with PDFs? Yes, there are many free alternatives for working with PDFs, such as: LibreOffice: Offers PDF editing features. PDFsam: Allows splitting, merging, and editing PDFs. Foxit Reader: Provides basic PDF viewing and editing capabilities. How do I compress a PDF file? You can use online tools like Smallpdf, ILovePDF, or desktop software like Adobe Acrobat to compress PDF files without significant quality loss. Compression reduces the file size, making it easier to share and download. Can I fill out forms in a PDF file? Yes, most PDF viewers/editors like Adobe Acrobat, Preview (on Mac), or various online tools allow you to fill out forms in PDF files by selecting text fields and entering information. Are there any restrictions when working with PDFs? Some PDFs might have restrictions set by their creator, such as password protection, editing restrictions, or print restrictions. Breaking these restrictions might require specific

software or tools, which may or may not be legal depending on the circumstances and local laws.

### **Find Zetor 3320 Operators Manual :**

~~wonders of the world rough guide 25s~~

~~wonder fear and longing a book of prayers~~

**word software free download**

women politics and american society longman classics in political science

~~word manual 2010 lesson 102 gdp~~

**workday login scribeamerica**

**workbook for merrills atlas of radiographic positioning and procedures volume 1 11e**

~~word virus the william s burroughs reader~~

~~wonders of america cubebook~~

woodward 210 governor manual

~~workers together an endless chain~~

women mystics in medieval europe

working with children adolescents and their families

womens bodies womens health perpetual flip calendar

wonder 6 activity ab cd

### **Zetor 3320 Operators Manual :**

**hadith 1 of the book on purification by jami al tirmizi** - Feb 19 2022

web ibn umar narrated that the prophet said salat will not be accepted without purification nor charity from ghulul hannad said in his narration except with purification abu eisa said this hadith is the most correct thing on this topic and the best there are also narrations on this topic from abu al malih from his father and abu

**la pierre de tu hadj tome 1 le sang d arion rakuten** - Oct 30 2022

web may 5 2011 la pierre de tu hadj tome 1 le sang d arion rakuten livres littérature science fiction la pierre de tu hadj tome 1 le sang d arion alexandre malagoli no ti ce établ ie par dec itr e li brai re collection légendaire format poche 377 pages voir le descriptif 5 1 avis vous en avez un à vendre vendez le vôtre filtrer par

la pierre du tu hadj tome 1 by alexandre malagoli goodreads - Feb 02 2023



web feb 26 2003 read 2 reviews from the world s largest community for readers l es rois magiciens de la terre d arion ont été les artisans de la grande folie qui faillit

*la pierre de tu hadj tome 1 label emmaüs* - Jun 25 2022

web les rois magiciens de la terre d arion ont été les artisans de la grande folie qui faillit précipiter le monde à

**la pierre de tu hadj tome 1 la pierre de tu hadj livre 1** - Oct 10 2023

web en 1999 il rencontre un rapide succès avec le cycle de la pierre de tu hadj une saga de fantasy initiatique où il conte le destin exceptionnel d un apprenti assassin jouet des dieux au cœur d un monde vaste et périlleux où la magie est omniprésente

*la pierre de tu hadj les 4 livres de la série booknode* - Jul 07 2023

web 1 la pierre de tu hadj tome 1 le sang d arion l empire s effondre l empire s enflamme les cadavres jonchent déjà les steppes autour de youbengrad la main du destin s est refermée sur ces terres oppressées par

**la pierre de tu hadj tome 1 le sang d arion booknode** - Jun 06 2023

web la pierre de tu hadj tome 1 le sang d arion de alexandre malagoli diamant parcours initiatique de deux jeunes hommes dans un univers complexe de manipulation d enjeux de pouvoirs de magie le tout brillamment décrit par l auteur français et

**la pierre de tu hadj tome 1 le sang d arion fnac** - Mar 03 2023

web la pierre de tu hadj tome 1 le sang d arion 4 5 État neuf vendu et expédié par bouquinerieplus 4 542 873ventes pays d expédition poser une question au vendeur résumé le jeune wilf un orphelin livré à lui même est recruté par le maître tueur cruel voit qui veut en faire son apprenti

**la pierre de tu hadj tome 1 poche au meilleur prix e leclerc** - Aug 28 2022

web la pierre de tu hadj 1 les rois magiciens de la terre d arion ont été les artisans de la grande folie qui faillit précipiter le monde à sa perte plusieurs siècles ont passé la lignée d arion s est éteinte mais les magiciens demeurent depuis

*la pierre de tu hadj tome 1 protese odontocompany* - Mar 23 2022

web la pierre de tu hadj tome 1 downloaded from protese odontocompany com by guest moreno haynes la pierre de tu hadj les rois magiciens de la terre d arion qui furent jadis les maîtres du continent ont été les artisans de la grande folie qui faillit précipiter le monde à sa perte plusieurs siècles ont passé et la lignée

**le sang d arion la pierre du tu hadj tome 1 poche au** - Apr 23 2022

web le sang d arion la pierre du tu hadj tome 1 poche achat en ligne au meilleur prix sur e leclerc retrait gratuit dans de 700 magasins

la pierre de tu hadj tome 1 taschenbuch 26 februar 2003 amazon de - May 25 2022

web la pierre de tu hadj tome 1 malagoli alexandre isbn 9782911618949 kostenloser versand für alle bücher mit versand und

verkauf duch amazon

[la pierre de tu hadj tome 1 poche decitre](#) - Jan 01 2023

web jun 13 2007 la pierre de tu hadj tome 1 de alexandre malagoli collection le livre de poche livraison gratuite à 0 01 dès 35 d achat librairie decitre votre prochain livre est là

**la pierre de tu hadj tome 1 icares kağıt kapak** - Aug 08 2023

web la pierre de tu hadj tome 1 icares malagoli alexandre amazon com tr Çerez tercihlerinizi seçin Çerez bildirimimizde detaylandırıldığı üzere satın alım yapmanızı sağlamak alışveriş deneyiminizi geliştirmek ve hizmetlerimizi sunmak için gerekli olan çerezleri ve benzer araçları kullanıyoruz

[la pierre de tu hadj wikipédia](#) - Nov 30 2022

web la pierre de tu hadj est un cycle de romans de fantasy qui a révélé alexandre malagoli tomes le sang d arion 1999 isbn 2 911618 52 1 les voix de la mer 2000 isbn 2 911618 58 0 celle qui dort 2001 isbn 2 911618 67 x les dragons étoilés 2002 isbn 2 911618 74 2 les livres sont tous édités par mnémos

**la pierre de tu hadj tome 1 le sang d arion label emmaüs** - Jul 27 2022

web l empire s effondre l empire s enflamme les cadavres jonchent déjà les steppes autour de youbengrad la main du destin s est refermée

[la pierre de tu hadj tome 1 le sang d arion amazon fr](#) - May 05 2023

web noté 5 retrouvez la pierre de tu hadj tome 1 le sang d arion et des millions de livres en stock sur amazon fr achetez neuf ou d occasion

**la pierre de tu hadj tome 1 et 2 le sang d arion babelio** - Sep 09 2023

web jun 13 2007 résumé les rois magiciens de la terre d arion qui furent jadis les maîtres du continent ont été les artisans de la grande folie qui faillit précipiter le monde à sa perte plusieurs siècles ont passé et la lignée d arion s est éteinte mais les magiciens demeurent depuis ce jour une caste honnie et persécutée

[le sang d arion la pierre du tu hadj tome 1 amazon fr](#) - Apr 04 2023

web noté 5 achetez le sang d arion la pierre du tu hadj tome 1 de malagoli alexandre isbn 9782253118022 sur amazon fr des millions de livres livrés chez vous en 1 jour

[la pierre de tu hadj tome 1 alexandre malagoli furet du nord](#) - Sep 28 2022

web feb 26 2003 la pierre de tu hadj tome 1 de plongez vous dans le livre alexandre malagoli au format ajoutez le à votre liste de souhaits ou abonnez vous à l auteur alexandre malagoli livraison gratuite à 0 01 dès 35 d achat furet du nord

[present laughter concord theatricals](#) - May 01 2022

web present laughter concord theatricals a samuel french inc title present laughter full length play comedy 6f 5m Noël

coward s richly comic play about world weary dilettante garry essendine published to coincide with the national theatre s production which opened september 2007 image 2017 broadway production

[still life play wikipedia](#) - Jan 09 2023

web still life is a short play in five scenes by noël coward one of ten plays that make up tonight at 8 30 a cycle written to be performed across three evenings n 1 one act plays were unfashionable in the 1920s and 30s but coward was fond of the genre and conceived the idea of a set of short pieces to be played across several evenings

**cavalcade play wikipedia** - Dec 08 2022

web cavalcade is a play by noël coward with songs by coward and others it focuses on three decades in the life of the marryots an upper middle class british family and their servants beginning in 1900 and ending in 1930 a year before the premiere

**general 1 noël coward** - Feb 27 2022

web the smash comedy hit of the london and broadway stages this much revived classic from the playwright of private lives offers up fussy cantankerous novelist charles condomine re married but haunted literally by the ghost of his late first wife the clever and insistent elvira who is called up by a visiting happy medium one madame

[waiting in the wings play wikipedia](#) - Sep 05 2022

web waiting in the wings is a play by noël coward set in a retirement home for actresses it focuses on a feud between residents lotta bainbridge and may davenport who once both loved the same man

[noël coward private lives](#) - Mar 11 2023

web noël coward private lives characters amanda prynne victor prynne her husband louise a maid sibyl chase elyot chase her husband act 1 the terrace of a hotel in france summer evening act ii amanda s flat in paris a few days later evening act iii the same the next morning time the present act one act two

**waiting in the wings concord theatricals** - Nov 07 2022

web waiting in the wings concord theatricals a samuel french ltd title waiting in the wings full length play comedy 14f 4m noël coward should rejoice those of us who still have hearts london news chronicle coward s tribute to theatre is set in a retirement home for actresses all former stars

**drama online noël coward** - Jan 29 2022

web come into the garden maud is the final play in the trilogy suite in three keys in which each play is set in the same swiss hotel suite it was written by coward in 1966 and represents the last of his output for the stage before he died

[noel coward collection contents scripts 4 music](#) - Jun 14 2023

web noel coward a celebration westminster abbey 28 march 1984 noel coward in two keys published by samuel french inc

directed by vivian matalon noel coward review noel in three keys a one man show based on the life and works of noel coward adapted and devised by edward duke nude with violin a light comedy in 3 acts

**noël coward s private lives pdf scribd** - Jul 15 2023

web 100 10 6k views 70 pages noël coward s private lives uploaded by rodrigo garcia sanchez description the script for the play copyright all rights reserved available formats download as pdf txt or read online from scribd flag for inappropriate content download now of 70 noël coward private lives characters amanda

**noel coward the master stage milk** - Dec 28 2021

web noel coward the master and his plays if there is an image of englishness it resolves itself into the person of noel coward indeed it has often been said that coward invented the concepts of englishness

*noël coward scripts* - Feb 10 2023

web coward achieved enduring success as a playwright publishing more than 50 plays from his teens onwards many of his works such as hay fever private lives design for living present laughter and blithe spirit have remained in the regular theatre repertoire

*the vortex a play in three acts by noel coward project gutenber* - Aug 16 2023

web may 4 2022 71 516 free ebooks 3 by noel coward the vortex a play in three acts by noel coward read now or download free similar books readers also downloaded about this ebook

*works noël coward* - May 13 2023

web for a full list of songs written by noël coward please visit the noël coward music index a full list of various anthologies and collections can be found on the further reading section of the site

**noël coward wikipedia** - Jul 03 2022

web chothia comments that a feature of coward s plays of the 1920s and 30s is that unusually for the period the women in coward s plays are at least as self assertive as the men and as likely to seethe with desire or rage so that courtship and the battle of the sexes is waged on strictly equal terms

**ways and means play wikipedia** - Aug 04 2022

web ways and means play wikipedia coward and lawrence at the end of ways and means ways and means is a short comic play by noël coward one of ten that make up tonight at 8 30 a cycle written to be performed across three evenings

**fallen angels play wikipedia** - Oct 06 2022

web fallen angels is a comedy by the english playwright noël coward it opened at the globe theatre london now called the gielgud theatre on 21 april 1925 and ran until 29 august

*private lives coward noel free download borrow and* - Jun 02 2022

web search metadata search text contents search tv news captions search radio transcripts search archived web sites  
 advanced search about blog projects help donate an illustration of a heart shape contact jobs volunteer people coward noel  
 addeddate 2017 01 18 20 33 37 identifier in ernet dli 2015 210130 identifier ark ark 13960

[fumed oak play plot characters stageagent](#) - Mar 31 2022

web synopsis fumed oak is a short play in two scenes by noël coward one of ten that make up tonight at 8 30 a cycle written  
 to be performed across three evenings this play is a 2 scene comedy a middle aged salesman walks out his family which  
 consists of his wife daughter and mother in law

**collected plays coward noel 1899 1973 archive org** - Apr 12 2023

web 1 hay fever the vortex fallen angels easy virtue 2 private lives bitter sweet the marquise post mortem 3 design for living  
 cavalcade conversation piece tonight at 8 30 hands across the sea still life fumed oak 4 blithe spirit present laughter this  
 happy breed tonight at 8 30

**trolls de troy collection bdf 22 volumes sid archive org** - Aug 15 2023

web mar 20 2021 trolls de troy tome 03 comme un vol de pétaures hocr searchtext txt gz download 1 3k trolls de troy tome  
 04 le feu occulte hocr searchtext txt gz download

[les trolls 3 film 2023 allociné](#) - Jan 28 2022

web les trolls 3 est un film réalisé par tim heitz et walt dohrn avec les voix de matt pokora vitaa synopsis après deux films à  
 se tourner autour pour finalement tomber dans les bras l un de

[trolls de troy t03 comme un vol de pa c taures copy](#) - Mar 30 2022

web chosen readings like this trolls de troy t03 comme un vol de pa c taures but end up in infectious downloads rather than  
 reading a good book with a cup of coffee in the afternoon instead they juggled with some harmful virus inside their computer  
 trolls de troy t03 comme un vol de pa c taures is available in our book collection an online

[trolls de troy 3 comme un vol de pétaures bedetheque](#) - Jun 13 2023

web may 31 2001 ad soleil productions 1999 arleston scotch mourier acheter album créé dans la bedetheque le 31 05 2001  
 dernière modification le 09 11 2021 à 07 21 par tchouckitchouck trolls de troy 3 comme un vol de pétaures une bd de  
 arleston scotch et jean louis mourier chez soleil productions 1999 04 1999 44 pages 2877648494

**trolls de troy tome 3 comme un vol de pa c taures pdf** - Jul 02 2022

web trolls de troy t05 trolls de troy tome 3 comme un vol de pa c taures downloaded from sql1 viewber co uk by guest  
 patience sydney trolls de troy soleil productions troy est un monde fascinant où la magie intervient dans le quotidien de tous  
 chacun en effet possède un pouvoir petit ou grand plus ou moins utile l un a le don de figer

**trolls de troy tome 3 comme un vol de pétaures by jean** - Dec 07 2022

web may 1st 2020 trolls de troy tome 3 me un vol de pétaures est un chef d'uvre de jean louis mourier scotch arleston paru le 2000 04 06 il est posé de 46 pages et peut être obtenu en format pdf et e pub vous pourriez avoir le fichier gratuitement découvrez plus d'informations ci dessous

*trolls de troy 3 comme un vol de pétaures issue comic vine* - Jan 08 2023

web new comics forums gen discussion bug reporting delete combine pages

**trolls de troy tome 3 comme un vol de pétaures babelio** - Mar 10 2023

web apr 6 2000 critiques 12 citations 8 extraits de trolls de troy tome 3 comme un vol de pétaures de christophe arleston waha et ses deux compagnons troll et demi troll poursuivent leur avent

trolls de troy tome 3 comme un vol de pa c taures full pdf - Feb 26 2022

web un album consacré à l'enfance de waha la plus trolle des trolls waha est une petite fille comme les autres ou presque adoptée par les trolls elle suit l'enseignement trollesque

*comme un vol de pÉtaures archive org* - Apr 11 2023

web comme un vol de pÉtaures troy est un monde fascinant où la magie intervient dans le quotidien de tous chacun en effet possède un pouvoir petit ou grand plus ou moins utile l'un a le don de figer l'eau en glace l'autre de fondre le métal d'un regard on trouve sur troy toutes sortes de créatures

**trolls de troy tome 3 comme un vol de pa c taures pdf** - Sep 04 2022

web 2 trolls de troy tome 3 comme un vol de pa c taures 2020 01 31 défendre les siens contre les humains qui tentent grâce à leurs pouvoirs magiques d'exterminer les trolls

**trolls de troy tome 3 comme un vol de pétaures lirelibs** - May 12 2023

web apr 6 2000 trolls de troy tome 3 comme un vol de pétaures de jean louis mourier télécharger en lire plus l'univers de trolls de troy dans le monde de troy chaque humain a un pouvoir magique pourtant il existe une chose qu'ils craignent vraiment

**trolls de troy tome 3 comme un vol de pa c taures qr bonide** - Apr 30 2022

web trolls de troy tome 3 comme un vol de pa c taures léo loden t12 rock n troll attitude les prisonniers du darshan i les prisonniers du präfy blues trolls de troy t19 légendes de troy ploneïs l'incertain pack 2 volumes trolls de troy tome 3 comme un vol de pétaures moréa t01 lanfeust de troy t05 léo loden t04 léo

*trolls de troy tome 3 op 10 ans comme un vol de pétaures bd* - Nov 06 2022

web jun 19 2007 trolls de troy tome 3 op 10 ans comme un vol de pétaures bd achat en ligne au meilleur prix sur e leclerc retrait gratuit dans de 700 magasins soldes d'Éstockage catalogues carte e leclerc commander en ligne high tech soldes high tech informatique tablettes pc macbook tablette ipad

**trolls de troy tome 3 comme un vol de pétaures amazon fr** - Jul 14 2023

web retrouvez trolls de troy tome 3 comme un vol de pétaures et des millions de livres en stock sur amazon fr achetez neuf ou d occasion amazon fr trolls de troy tome 3 comme un vol de pétaures mourier jean louis arleston scotch livres

**trolls de troy tome 3 comme un vol de pétaures de decitre** - Feb 09 2023

web may 6 1999 trolls de troy tome 3 comme un vol de pétaures de christophe arleston Éditeur soleil livraison gratuite à 0 01 dès 35 d achat librairie decitre votre prochain livre est là

**trolls de troy t03 comme un vol de pa c taures pdf** - Jun 01 2022

web jun 18 2023 trolls de troy tome 3 comme un vol de pa c taures pdf web trolls de troy tome 3 comme un vol de pa c taures pdf when somebody should go to the book bien sûr d un antidote traverser les terribles déserts du nord jusqu à port peebo est déjà une

**trolls de troy tome 3 comme un vol de pa c taures pdf** - Aug 03 2022

web trolls de troy tome 3 comme un vol de pa c taures recognizing the exaggeration ways to acquire this books trolls de troy tome 3 comme un vol de pa c taures is additionally useful you have remained in right site to begin getting this info get the trolls de troy tome 3 comme un vol de pa c taures partner that we present here and

trolls de troy tome 3 comme un vol de pa c taures copy - Oct 05 2022

web comme un vol de pétaures trolls de troy t07 lanfeust de troy t05 lanfeust de troy t01 léo loden t12 légendes de troy ploneis l incertain trolls de troy t01 pack 2 volumes trolls de troy tome 3 comme un vol de pétaures léo loden t06 léo loden t11 trollympiades trolls dans la brume trolls de troy t08 lanfeust de troy tome 3

**trolls de troy tome 3 comme un vol de pétaures by jean** - Dec 27 2021

web trolls de troy tome 3 me un vol de ptaures march 20th 2020 tome 3 me un vol de pétaures trolls de troy tome 3 me un vol de pétaures mai 1999 acheter résumé de l éditeur téträm et sa fille adoptive waha sont en quête du feu brûle au coeur du volcan salaston afin de délivrer leur village de l asservissement où