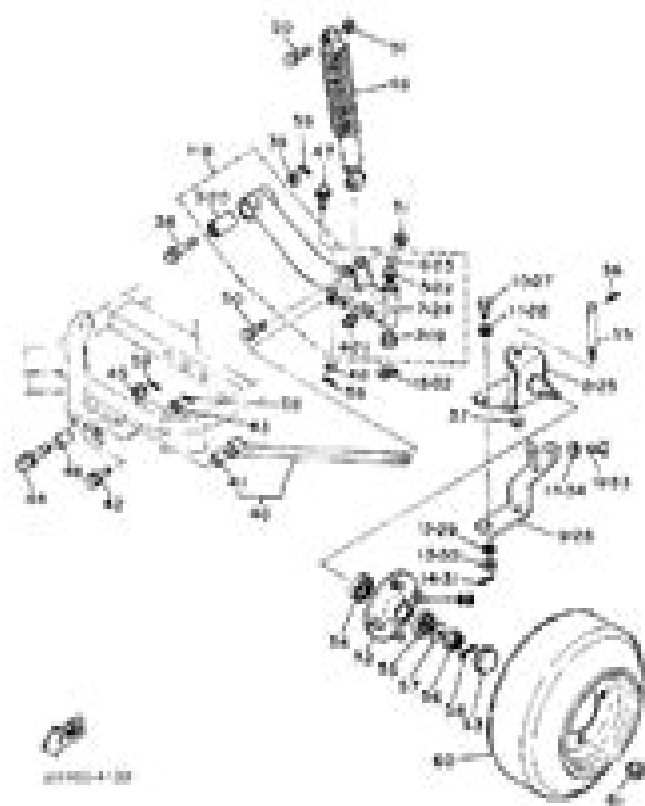


- G1_AM_AMS
- FORWARD CYLINDER
- CRANKSHAFT - PISTON
- AIR SHROUD - FAN
- OIL PUMP
- PUMP DRIVE - GEAR
- AIR FILTER
- CARBURETOR
- EXHAUST



FRONT SUSPENSION - WHEEL

Qty	Part Number	Description	Qty	Remarks
1	J41-W001-00-00	FRONT LOWER ARM L/COMP. S/R	1	
2	W001-1902-00	BUSH, SOLID	1	
2	J19-210N-00-00	BUSH	1	
4	0270-00001-00	NIPPLE, GREASE	1	
1	W001-1900-00	BUSH, SOLID	1	
4	0270-1000-00	O-RING	1	
2	W001-0079-00	WASHER, PLATE	1	
4	J11-2210-00-00	KNUCKLE, STEERING 1	1	
1	J11-2210-00-00	ARM, KNUCKLE 1	1	
10	W001-1900-00	BOLT	2	
11	W001-0191-00	WASHER, PLATE	2	
12	W001-0093-00	WASHER, PLATE	2	
13	W011-0010-00	NUT, CASTLE	2	
14	0140-2510-00	PIN, COTTER	2	
15	W014-0017-00	WASHER, CLAM	1	
16	0703-0010-00	BOLT, HEXAGON	1	
17	W001-0070-00	NUT	1	
18	J41-W002-00-00	FRONT LOWER ARM R/COMP. S/R	1	
19	W001-1902-00	BUSH, SOLID	1	
20	J19-210N-00-00	BUSH	1	
21	0270-00001-00	NIPPLE, GREASE	1	
22	W001-1900-00	BUSH, SOLID	1	
23	0270-1000-00	O-RING	1	
24	W001-0079-00	WASHER, PLATE	1	
25	J11-2210-00-00	KNUCKLE, STEERING 1	1	
26	J11-2210-00-00	ARM, KNUCKLE 2	1	
27	W001-1900-00	BOLT	2	

CONTINUED ON NEXT FRAME ▶

Yamaha G14jn31 Golf Cart Parts Manual Catalog 1996

Rachel S Tattersall



Yamaha G14jn31 Golf Cart Parts Manual Catalog 1996:

Getting the books **Yamaha G14jn31 Golf Cart Parts Manual Catalog 1996** now is not type of inspiring means. You could not unaccompanied going as soon as book heap or library or borrowing from your connections to entry them. This is an agreed simple means to specifically acquire lead by on-line. This online message Yamaha G14jn31 Golf Cart Parts Manual Catalog 1996 can be one of the options to accompany you in the manner of having new time.

It will not waste your time. resign yourself to me, the e-book will utterly express you new matter to read. Just invest tiny grow old to door this on-line proclamation **Yamaha G14jn31 Golf Cart Parts Manual Catalog 1996** as skillfully as evaluation them wherever you are now.

https://ftp.barnabastoday.com/data/detail/Download_PDFS/triumph%20bonneville%202007%20repair%20service%20manual.pdf

Table of Contents Yamaha G14jn31 Golf Cart Parts Manual Catalog 1996

1. Understanding the eBook Yamaha G14jn31 Golf Cart Parts Manual Catalog 1996
 - The Rise of Digital Reading Yamaha G14jn31 Golf Cart Parts Manual Catalog 1996
 - Advantages of eBooks Over Traditional Books
2. Identifying Yamaha G14jn31 Golf Cart Parts Manual Catalog 1996
 - Exploring Different Genres
 - Considering Fiction vs. Non-Fiction
 - Determining Your Reading Goals
3. Choosing the Right eBook Platform
 - Popular eBook Platforms
 - Features to Look for in an Yamaha G14jn31 Golf Cart Parts Manual Catalog 1996
 - User-Friendly Interface
4. Exploring eBook Recommendations from Yamaha G14jn31 Golf Cart Parts Manual Catalog 1996
 - Personalized Recommendations
 - Yamaha G14jn31 Golf Cart Parts Manual Catalog 1996 User Reviews and Ratings

- Yamaha G14jn31 Golf Cart Parts Manual Catalog 1996 and Bestseller Lists
- 5. Accessing Yamaha G14jn31 Golf Cart Parts Manual Catalog 1996 Free and Paid eBooks
 - Yamaha G14jn31 Golf Cart Parts Manual Catalog 1996 Public Domain eBooks
 - Yamaha G14jn31 Golf Cart Parts Manual Catalog 1996 eBook Subscription Services
 - Yamaha G14jn31 Golf Cart Parts Manual Catalog 1996 Budget-Friendly Options
- 6. Navigating Yamaha G14jn31 Golf Cart Parts Manual Catalog 1996 eBook Formats
 - ePub, PDF, MOBI, and More
 - Yamaha G14jn31 Golf Cart Parts Manual Catalog 1996 Compatibility with Devices
 - Yamaha G14jn31 Golf Cart Parts Manual Catalog 1996 Enhanced eBook Features
- 7. Enhancing Your Reading Experience
 - Adjustable Fonts and Text Sizes of Yamaha G14jn31 Golf Cart Parts Manual Catalog 1996
 - Highlighting and Note-Taking Yamaha G14jn31 Golf Cart Parts Manual Catalog 1996
 - Interactive Elements Yamaha G14jn31 Golf Cart Parts Manual Catalog 1996
- 8. Staying Engaged with Yamaha G14jn31 Golf Cart Parts Manual Catalog 1996
 - Joining Online Reading Communities
 - Participating in Virtual Book Clubs
 - Following Authors and Publishers Yamaha G14jn31 Golf Cart Parts Manual Catalog 1996
- 9. Balancing eBooks and Physical Books Yamaha G14jn31 Golf Cart Parts Manual Catalog 1996
 - Benefits of a Digital Library
 - Creating a Diverse Reading Collection Yamaha G14jn31 Golf Cart Parts Manual Catalog 1996
- 10. Overcoming Reading Challenges
 - Dealing with Digital Eye Strain
 - Minimizing Distractions
 - Managing Screen Time
- 11. Cultivating a Reading Routine Yamaha G14jn31 Golf Cart Parts Manual Catalog 1996
 - Setting Reading Goals Yamaha G14jn31 Golf Cart Parts Manual Catalog 1996
 - Carving Out Dedicated Reading Time
- 12. Sourcing Reliable Information of Yamaha G14jn31 Golf Cart Parts Manual Catalog 1996
 - Fact-Checking eBook Content of Yamaha G14jn31 Golf Cart Parts Manual Catalog 1996
 - Distinguishing Credible Sources

13. Promoting Lifelong Learning
 - Utilizing eBooks for Skill Development
 - Exploring Educational eBooks
14. Embracing eBook Trends
 - Integration of Multimedia Elements
 - Interactive and Gamified eBooks

Yamaha G14jn31 Golf Cart Parts Manual Catalog 1996 Introduction

In the digital age, access to information has become easier than ever before. The ability to download Yamaha G14jn31 Golf Cart Parts Manual Catalog 1996 has revolutionized the way we consume written content. Whether you are a student looking for course material, an avid reader searching for your next favorite book, or a professional seeking research papers, the option to download Yamaha G14jn31 Golf Cart Parts Manual Catalog 1996 has opened up a world of possibilities. Downloading Yamaha G14jn31 Golf Cart Parts Manual Catalog 1996 provides numerous advantages over physical copies of books and documents. Firstly, it is incredibly convenient. Gone are the days of carrying around heavy textbooks or bulky folders filled with papers. With the click of a button, you can gain immediate access to valuable resources on any device. This convenience allows for efficient studying, researching, and reading on the go. Moreover, the cost-effective nature of downloading Yamaha G14jn31 Golf Cart Parts Manual Catalog 1996 has democratized knowledge. Traditional books and academic journals can be expensive, making it difficult for individuals with limited financial resources to access information. By offering free PDF downloads, publishers and authors are enabling a wider audience to benefit from their work. This inclusivity promotes equal opportunities for learning and personal growth. There are numerous websites and platforms where individuals can download Yamaha G14jn31 Golf Cart Parts Manual Catalog 1996. These websites range from academic databases offering research papers and journals to online libraries with an expansive collection of books from various genres. Many authors and publishers also upload their work to specific websites, granting readers access to their content without any charge. These platforms not only provide access to existing literature but also serve as an excellent platform for undiscovered authors to share their work with the world. However, it is essential to be cautious while downloading Yamaha G14jn31 Golf Cart Parts Manual Catalog 1996. Some websites may offer pirated or illegally obtained copies of copyrighted material. Engaging in such activities not only violates copyright laws but also undermines the efforts of authors, publishers, and researchers. To ensure ethical downloading, it is advisable to utilize reputable websites that prioritize the legal distribution of content. When downloading Yamaha G14jn31 Golf Cart Parts Manual Catalog 1996, users should also consider the potential security risks associated with online platforms. Malicious actors may exploit vulnerabilities in unprotected

websites to distribute malware or steal personal information. To protect themselves, individuals should ensure their devices have reliable antivirus software installed and validate the legitimacy of the websites they are downloading from. In conclusion, the ability to download Yamaha G14jn31 Golf Cart Parts Manual Catalog 1996 has transformed the way we access information. With the convenience, cost-effectiveness, and accessibility it offers, free PDF downloads have become a popular choice for students, researchers, and book lovers worldwide. However, it is crucial to engage in ethical downloading practices and prioritize personal security when utilizing online platforms. By doing so, individuals can make the most of the vast array of free PDF resources available and embark on a journey of continuous learning and intellectual growth.

FAQs About Yamaha G14jn31 Golf Cart Parts Manual Catalog 1996 Books

How do I know which eBook platform is the best for me? Finding the best eBook platform depends on your reading preferences and device compatibility. Research different platforms, read user reviews, and explore their features before making a choice. Are free eBooks of good quality? Yes, many reputable platforms offer high-quality free eBooks, including classics and public domain works. However, make sure to verify the source to ensure the eBook credibility. Can I read eBooks without an eReader? Absolutely! Most eBook platforms offer webbased readers or mobile apps that allow you to read eBooks on your computer, tablet, or smartphone. How do I avoid digital eye strain while reading eBooks? To prevent digital eye strain, take regular breaks, adjust the font size and background color, and ensure proper lighting while reading eBooks. What the advantage of interactive eBooks? Interactive eBooks incorporate multimedia elements, quizzes, and activities, enhancing the reader engagement and providing a more immersive learning experience. Yamaha G14jn31 Golf Cart Parts Manual Catalog 1996 is one of the best book in our library for free trial. We provide copy of Yamaha G14jn31 Golf Cart Parts Manual Catalog 1996 in digital format, so the resources that you find are reliable. There are also many Ebooks of related with Yamaha G14jn31 Golf Cart Parts Manual Catalog 1996. Where to download Yamaha G14jn31 Golf Cart Parts Manual Catalog 1996 online for free? Are you looking for Yamaha G14jn31 Golf Cart Parts Manual Catalog 1996 PDF? This is definitely going to save you time and cash in something you should think about. If you trying to find then search around for online. Without a doubt there are numerous these available and many of them have the freedom. However without doubt you receive whatever you purchase. An alternate way to get ideas is always to check another Yamaha G14jn31 Golf Cart Parts Manual Catalog 1996. This method for see exactly what may be included and adopt these ideas to your book. This site will almost certainly help you save time and effort, money and stress. If you are looking for free books then you really should consider finding to assist you try this. Several of Yamaha G14jn31 Golf Cart Parts Manual Catalog 1996 are for sale to free while some are payable. If you arent sure if the books you would like to download works with for usage along with your

computer, it is possible to download free trials. The free guides make it easy for someone to free access online library for download books to your device. You can get free download on free trial for lots of books categories. Our library is the biggest of these that have literally hundreds of thousands of different products categories represented. You will also see that there are specific sites catered to different product types or categories, brands or niches related with Yamaha G14jn31 Golf Cart Parts Manual Catalog 1996. So depending on what exactly you are searching, you will be able to choose e books to suit your own need. Need to access completely for Campbell Biology Seventh Edition book? Access Ebook without any digging. And by having access to our ebook online or by storing it on your computer, you have convenient answers with Yamaha G14jn31 Golf Cart Parts Manual Catalog 1996 To get started finding Yamaha G14jn31 Golf Cart Parts Manual Catalog 1996, you are right to find our website which has a comprehensive collection of books online. Our library is the biggest of these that have literally hundreds of thousands of different products represented. You will also see that there are specific sites catered to different categories or niches related with Yamaha G14jn31 Golf Cart Parts Manual Catalog 1996 So depending on what exactly you are searching, you will be able to choose ebook to suit your own need. Thank you for reading Yamaha G14jn31 Golf Cart Parts Manual Catalog 1996. Maybe you have knowledge that, people have search numerous times for their favorite readings like this Yamaha G14jn31 Golf Cart Parts Manual Catalog 1996, but end up in harmful downloads. Rather than reading a good book with a cup of coffee in the afternoon, instead they juggled with some harmful bugs inside their laptop. Yamaha G14jn31 Golf Cart Parts Manual Catalog 1996 is available in our book collection an online access to it is set as public so you can download it instantly. Our digital library spans in multiple locations, allowing you to get the most less latency time to download any of our books like this one. Merely said, Yamaha G14jn31 Golf Cart Parts Manual Catalog 1996 is universally compatible with any devices to read.

Find Yamaha G14jn31 Golf Cart Parts Manual Catalog 1996 :

~~triumph bonneville 2007 repair service manual~~

~~trijicon rnr manual~~

trireme olympias the final report by boris rankov 2012 hardcover

trophies practice book grade 2 2

triumph thunderbird sport 900 1997 2004 service repair manua

~~tree spirituality an introduction to trees humans and the realm they share~~

trends in the periodic table answers

trimble tsc2 guide

triumph speed triple 1050 shop manual 2005 onwards

tribute affection memory classic reprint

triumph street triple operators manual

troika a communicative approach to russian language life and culture russian edition

troilus and cressida

triumph bonneville t100 service manual drain gas

triumph sprint st 1050 service repair manual

Yamaha G14jn31 Golf Cart Parts Manual Catalog 1996 :

harley trike reverse starter for sale ebay - Jun 09 2023

web get the best deals for harley trike reverse starter at ebay com we have a great online selection at the lowest prices with fast free shipping on many items

starter armature for trike alternatorbrush com - Jul 30 2022

web home starter armature electric reverse motor harley trike triglide 2009 2020 starter armature electric reverse motor harley trike triglide 2009 2020 39 99 39 99

reverse motor problem trike talk - Jun 28 2022

web may 4 2018 breaker not tripped checked voltage before and after breaker and rcm solenoid while pressing the reverse button and getting a little over 14 volts pulled reverse motor and bench tested it and it seems to operate fine checked voltage at the reverse motor connections and still getting a little over 14 volts with

reverse on a starter trike talk - Nov 02 2022

web sep 5 2015 my valk trike has a reverse system based on some car s starter motor connected to a flywheel on the drive shaft it s primitive but effective trouble is being a starter motor it draws huge current and is way too fast and powerful for

starter parts list for electric reverse motor harley trike triglide - Feb 05 2023

web starter rebuild kit field coil armature brush holder for electric reverse motor harley trike triglide 2009 2020 18900 save 216 starter solenoid oem zm and premium brush holder with brushes for electric reverse

m1508 2009 2020 trike platform reverse motor - Feb 22 2022

web m1508 2020 02 26 m1508 2009 2020 trike platform reverse motor purpose for service bulletin to inform dealers of a running change for the new reverse motor part no 83388 09c for trike models as of january 28 2020 all trike platform vehicles will be manufactured using the new reverse motor

rebuilding the harley davidson trike 3 wheeler electric reverse motor - May 08 2023

web the harley davidson tri glide reverse motor is basically an automotive starter with a specially developed drive end

assembly that contains 2 planetary gear assemblies planetary gears have been used by many different manufactures over the years as a reliable method to convert high speed electric motors into usable torque

[harley trike reverse motor starter solenoid oem zm electric](#) - Oct 01 2022

web aug 13 2023 find many great new used options and get the best deals for harley trike reverse motor starter solenoid oem zm electric triglide 2009 2020 at the best online prices at ebay free shipping for many products

[in the shop trike reverse system overview fix my hog](#) - Dec 03 2022

web we have had a lot of questions come into fix my hog concerning tri glide reverse issues we wanted to share what we have learned about this system hopefully it will help our members have a better

[2013 triglide reverse motor trike talk](#) - Mar 26 2022

web sep 3 2021 forum rules hey guys my 2013 triglide reverse stopped working i bench tested the reverse motor and its associated solenoid and they are both good the bendix spins and throws out as it should and also tested

installing a mechanical reverse motor trike youtube - May 28 2022

web sep 19 2019 meet motor trike s lead mechanic jonathan allen as he shows us just how easy it is to install a motor trike mechanical reverse you can also see the reverse installed and in action

[2020 reverse motor for harley davidson trike 83388 09c ebay](#) - Mar 06 2023

web find many great new used options and get the best deals for 2020 reverse motor for harley davidson trike 83388 09c at the best online prices at ebay free shipping for many products

rebuild kit harley tri glide reverse motor 83388 09a starter - Jan 04 2023

web find many great new used options and get the best deals for rebuild kit harley tri glide reverse motor 83388 09a starter brush electr trike at the best online prices at ebay rebuild kit harley tri glide reverse motor 83388 09a starter brush electr trike 5 0 out of 5 stars 3 product ratings expand ratings 5 0 average based on 3 product

hd reverse trike motors expert rebuilders who get you back - Sep 12 2023

web we specialize in rebuilding reverse motors for trike harley davidson tri glide and free wheeler motorcycles we have a ton of experience at this and guarantee our work special note watch out for those rebuilders that rebuild a bunch at a time

remove and rebuild harley tri glide reverse motor youtube - Jul 10 2023

web oct 14 2018 removing and replacing the reverse motor on my dad s 2010 harley davidson triglide trike it did not go exactly as planned partial fail note i did not mention the electrical breaker in

[harley trike reverse motor for sale ebay](#) - Apr 07 2023

web rebuild kit electric reverse motor harley trike triglide 2009 2018 starter like for harley davidson opens in a new window or tab brand new c 260 81 top rated seller top rated seller harley reverse starter motor tri glide oem core rebuildable tri

glide trike used opens in a new window or tab

harley reverse motor rebuild for the trike tri glide youtube - Aug 11 2023

web may 1 2015 hdreversemotor com this site is all about the electric reverse motor for harley davidson trike s

alternatorstarterrebuildkits com rebuilding the

the real story on harley s electric trike reverse youtube - Aug 31 2022

web jul 23 2021 the real story on harley s electric trike reverse experience with three tri glides and the oem electric reverse is mechanical better should you get a mechanical reverse or will the harley oem

starter type motor for electric reverse motor harley trike triglide - Oct 13 2023

web starter rebuild parts for electric reverse motor harley 83388 09 09a armature and brush holder with brushes for electric reverse motor harley trike triglide 2009 2020 83388 09

how to replace a solenoid on an electric harley reverse motor - Apr 26 2022

web may 20 2016 0 00 3 49 intro how to replace a solenoid on an electric harley reverse motor mike lauer 8 62k subscribers 49 12k views 7 years ago this is helpful for those of you that are looking to

ich stelle mir eine medizin vor von lisa bircher buch - Jun 28 2023

web lisa bircher ist auf dem weg hausärztin zu werden bruno kissling steht am ende seiner beruflichen laufbahn als hausarzt in einem intensiven briefwechsel diskutieren die

ich stelle mir eine eth z - Mar 26 2023

web erstebegegnung16 20sekundenfürempathie22 derspitalalltagimwandelderzeit 39 Überdiegrenzendermedizin52 mensch seinundarzt seinindermedizin63 intermezzo76

ich stelle mir eine medizin vor lisa ab 14 55 - Jan 24 2023

web ich stelle mir eine medizin vor lisa bircher ist auf dem weg hausärztin zu werden bruno kissling steht am ende seiner beruflichen laufbahn als hausarzt in einem

leseprobe ich stelle mir eine medizin vor issuu - Apr 26 2023

web oct 14 2019 ich stelle mir eine medizin vor briefwechsel einer jungen Ärztin mit einem erfahrenen hausarzt von lisa bircher bruno kissling lisa bircher ist auf dem

ich stelle mir eine medizin vor briefwechsel einer jungen - Nov 21 2022

web ich stelle mir eine medizin vor ist ein briefwechsel der sich über knapp eineinhalb jahre erstreckt in langen e mails tauschen sich die junge lisa bircher die dabei ist

ich stelle mir eine medizin vor briefwechsel eine copy - Apr 14 2022

web ich stelle mir eine medizin vor briefwechsel eine medizinisch chirurgische klinik vorlesungen über sämtliche fächer

der praktischen medizin bde 1 2 feb 01 2023

ich stelle mir eine medizin vor briefwechsel einer jungen - Feb 22 2023

web ich stelle mir eine medizin vor briefwechsel einer jungen Ärztin mit einem erfahrenen hausarzt isbn 13 9783906304397

ich stelle mir eine medizin vor

ich stelle mir eine medizin vor briefwechsel einer jungen - Oct 01 2023

web ich stelle mir eine medizin vor briefwechsel einer jungen Ärztin mit einem erfahrenen hausarzt rüffer rub cares bircher lisa kissling bruno reber feissli

9783906304397 *ich stelle mir eine medizin vor lisa bircher* - Jan 12 2022

web ich stelle mir eine medizin vor finden sie alle bücher von lisa bircher bei der büchersuchmaschine eurobuch ch können sie antiquarische und neubücher vergleichen

pdf ich stelle mir eine medizin vor briefwechsel eine - Sep 19 2022

web ich stelle mir eine medizin vor briefwechsel eine die alltägliche romantik jun 01 2020 die rolle des alltags für die kunst und in der kunst erlaubt einen neuen blick auf die

ich stelle mir eine medizin vor briefwechsel eine uniport edu - Oct 09 2021

web mar 27 2023 briefwechsel i salomo friedlaender 2018 03 23 die auf acht bände angelegte ausgabe sammelt alle überlieferten korrespondenzstücke von und an

ich stelle mir eine medizin vor briefwechsel eine - Nov 09 2021

web ich stelle mir eine medizin vor briefwechsel eine downloaded from helpdesk bricksave com by guest duke karlee mind over medicine warum

ich stelle mir eine medizin vor briefwechsel eine - Oct 21 2022

web ich stelle mir eine medizin vor briefwechsel eine mind over medicine warum gedanken oft stärker sind als medizin jul 07 2020 wie funktioniert selbstheilung

bruno kissling hausarzt und geburtshelfer researchgate - Aug 19 2022

web ich stelle mir eine medizin vor briefwechsel einer jungen hausärztin mit einem erfahrenen hausarzt lisa bircher und bruno kissling 2018 rüffer rub sachbuchverlag

rüffer rub rüffer rub cares ich stelle mir eine medizin vor - Aug 31 2023

web ich stelle mir eine medizin vor briefwechsel einer jungen Ärztin mit einem erfahrenen hausarzt lisa bircher ist auf dem weg hausärztin zu werden bruno

ich stelle mir eine medizin vor briefwechsel eine pdf - Feb 10 2022

web 2 ich stelle mir eine medizin vor briefwechsel eine 2022 10 15 folgenden punkte bedeutsam 1 verhältnisse der

mikroökologie am infektionsort eventuelle störungen der
verfassen eines arztbriefes wissen amboss - Mar 14 2022

web apr 24 2023 das verfassen eines arztbriefes wird auch in der mündlich praktischen examensprüfung gefordert ein
strukturiertes vorgehen ist dabei sehr hilfreich und

ich stelle mir eine medizin vor briefwechsel einer jungen - Jun 16 2022

web entdecke ich stelle mir eine medizin vor briefwechsel einer jungen Ärztin mit eine in großer auswahl vergleichen
angebote und preise online kaufen bei ebay kostenlose

briefe an praxen und spitäler eligo - May 16 2022

web briefe an ein spital an eine arztpraxis oder an eine amtsstube etc haben eines gemeinsam sie gehen an adressen die sie
immer wieder brauchen und daher nicht

ich stelle mir eine medizin vor briefwechsel eine friedrich - Jul 18 2022

web ich stelle mir eine medizin vor lisa bircher 2018 10 12 briefwechsel zwischen schiller und lotte 1788 1805 johann
crhistoph friederich von schiller 1855

ich stelle mir eine medizin vor ex libris - May 28 2023

web in einem intensiven briefwechsel diskutieren die beiden unter anderem über ihr verständnis von medizin die
fachärztliche weiterbildung im spital ethische fragen im

ich stelle mir eine medizin vor bücher de - Jul 30 2023

web in einem intensiven briefwechsel diskutieren die beiden unter anderem über ihr verständnis von medizin die
fachärztliche weiterbildung im spital ethische fragen im

auf dem weg zu einer resilienten region ansprache des who - Dec 11 2021

web oct 25 2023 ich erinnere mich noch an meinen traum als ich vor vier jahren während meines wahlkampfes in alle länder
reiste ich sprach damals von einer region mit einer

ich stelle mir eine medizin vor mabuse buchversand - Dec 23 2022

web briefwechsel einer jungen Ärztin mit einem erfahrenen hausarztwas ist ein würdevoller umgang zwischen allen
beteiligten bei einer krankheit lisa bircher ist au

dino fc the vanishing goalie pdf pdf live hubitat - Feb 17 2022

web dino dini s goal is a soccer video game released by virgin games in 1993 it is considered by many to be the true sequel to
kick off 2 in preference to kick off 3 as kick off s

the vanishing goalie by brumpton keith - Jan 31 2023

web dino fc has reached the cup final for the first time in one million nine years however their rivals tyrannosaurus hotspur

will stop at nothing to ensure they take home the

dino fc the vanishing goalie portal nivbook co il - Mar 21 2022

web dino dini s soccer is a top down football game for the sega mega drive programmed by dino dini the man behind the first two kick off games by anco games it was only

dino dini s goal wikipedia - Dec 18 2021

the vanishing goalie keith brumpton google books - Jul 05 2023

web the vanishing goalie dino fc the craziest team in the jurassic world cup fever is in the air and dino fc s made it to the final but wit more the vanishing goalie

the vanishing goalie dino fc bookchor com - Oct 28 2022

web dino fc has reached the cup final for the first time in one million nine years however their rivals tyrannosaurus hotspur will stop at nothing to ensure they take home the

all the dino f c books in order topsta - May 03 2023

web buy the vanishing goalie dino fc by keith brumpton keith brumpton isbn from amazon s book store everyday low prices and free delivery on eligible orders

the vanishing goalie keith brumpton live life aberdeenshire - Aug 26 2022

web sep 2 2023 informationen zum titel the vanishing goalie dino f c von keith brumpton aus der reihe dino fc mit kurzbeschreibung und verfügarkeitsabfrage

the vanishing goalie dino fc by keith brumpton goodreads - Sep 07 2023

web dino fc has reached the cup final for the first time in one million nine years however their rivals tyrannosaurus hotspur will stop at nothing to ensure they take home the

the vanishing goalie dino fc paperback 29 oct 2010 - Mar 01 2023

web dino fc has reached the cup final for the first time in one million and nine years however their ruthless rivals tyrannosaurus hotspur will stop at nothing to ensure they take home

dino dini s soccer twitch - Jan 19 2022

dino fc the vanishing goalie copy uniport edu - Apr 21 2022

web enter the realm of dino fc the vanishing goalie pdf a mesmerizing literary masterpiece penned with a distinguished author guiding readers on a profound journey to unravel the

the vanishing goalie dino f c dino fc usborne publishing - Jun 23 2022

web jun 25 2023 dino fc the vanishing goalie 1 7 downloaded from uniport edu ng on june 25 2023 by guest dino fc the vanishing goalie this is likewise one of the factors by

[the vanishing goalie dino f c global books](#) - May 23 2022

web dino fc has reached the cup final for the first time in one million nine years however their rivals tyrannosaurus hotspur will stop at nothing to ensure they take home the

[vanishing goalie worldcat org](#) - Dec 30 2022

web buy the vanishing goalie dino fc book by keith brumpton online at best cheap prices in india on bookchor com read the vanishing goalie dino fc book reviews

[the vanishing goalie dino fc paperback 29 oct](#) - Oct 08 2023

web dino fc has reached the cup final for the first time in one million nine years however their rivals tyrannosaurus hotspur will stop at nothing to ensure they take home the

the vanishing goalie dino f c amazon com - Aug 06 2023

web every dino knows that dino fc only have eleven players and no subs so when goalie pteradonna goes missing before the match the t rexs are prime suspects it s up to

[the vanishing goalie 849671](#) - Apr 02 2023

web dino fc has reached the cup final for the first time in one million nine years however their rivals tyrannosaurus hotspur will stop at nothing to ensure they take home the

the vanishing goalie dino f c cctestc1 library tinycat - Sep 26 2022

web join terry triceratops and dino fc for more fresh and funny football antics in this illustrated series with a prehistoric twist dino fc has reached the cup final for the first

the vanishing goalie keith brumpton camden libraries - Nov 28 2022

web dino fc has reached the cup final for the first time in one million nine years however their rivals tyrannosaurus hotspur will stop at nothing to ensure they take home the

the vanishing goalie dino f c red balloon books - Jul 25 2022

web author keith brumpton condition used very good binding soft back novel pages 96 publisher usborne publishing ltd language n a publication year n a join terry

the vanishing goalie dino fc book 4 by keith brumpton - Jun 04 2023

web dino fc has reached the cup final for the first time in one million and nine years however their ruthless rivals tyrannosaurus hotspur will stop at nothing to ensure they take home