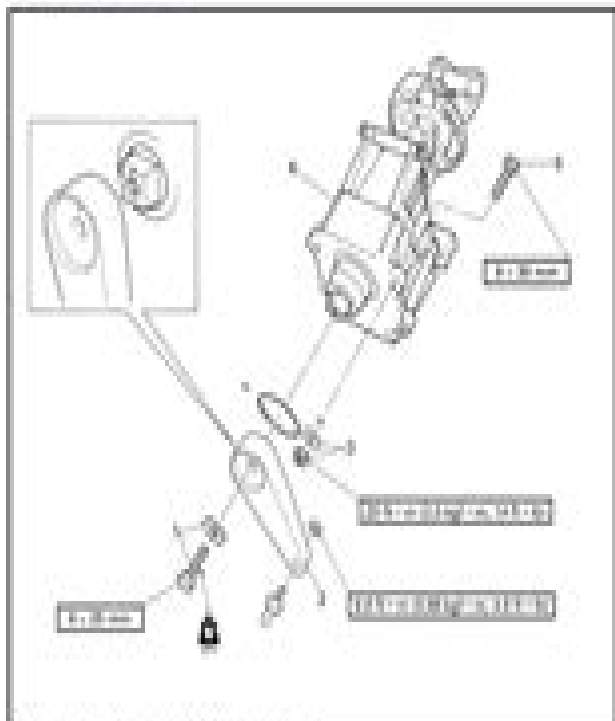


Bookmarks

- English
- French
- German
- Spanish
- RETURN

FULL HOOD  **STEERING MASTER** 

STEERING MASTER EXPLODED DIAGRAM



REMOVAL AND INSTALLATION CHART

Qty	Particular/Part name	Qty	Service points
	STEERING MASTER REMOVAL		Refer to SA "Ste" for removal
	Steering console cover		Refer to "STEERING CONSOLE COVER"
	Steering cable end		Refer to "STEERING CONTROL CABLES AND SPEED SENSOR LEAD"
1	Ballwasher	11	
2	Steering pin	0	
2	Ballwasher	44	
4	Steering master assembly	0	
1	Oil	0	Refer to general steps for installation

FULL HOOD  **DIRRECTION PRINCIPALE** 
LENNKRAAL 
ELEMENTO PRINCIPAL DE LA DIRECCION 

DIRRECTION PRINCIPALE

REMOVAL AND INSTALLATION CHART

Qty	Particular/Part name	Qty	Service points
	DIRRECTION PRINCIPALE REMOVAL		Refer to SA "Dir" for removal
	Steering console cover		Refer to "STEERING CONSOLE COVER"
	Steering cable end		Refer to "STEERING CONTROL CABLES AND SPEED SENSOR LEAD"
1	Ballwasher	11	
2	Steering pin	0	
2	Ballwasher	44	
4	Steering master assembly	0	
1	Oil	0	Refer to general steps for installation

LENNKRAAL

REMOVAL AND INSTALLATION CHART

Qty	Particular/Part name	Qty	Service points
	LENNKRAAL REMOVAL		Refer to SA "Len" for removal
	Steering console cover		Refer to "STEERING CONSOLE COVER"
	Steering cable end		Refer to "STEERING CONTROL CABLES AND SPEED SENSOR LEAD"
1	Ballwasher	11	
2	Steering pin	0	
2	Ballwasher	44	
4	Steering master assembly	0	
1	Oil	0	Refer to general steps for installation

ELEMENTO PRINCIPAL DE LA DIRECCION

REMOVAL AND INSTALLATION CHART

Qty	Particular/Part name	Qty	Service points
	ELEMENTO PRINCIPAL DE LA DIRECCION REMOVAL		Refer to SA "Dir" for removal
	Steering console cover		Refer to "STEERING CONSOLE COVER"
	Steering cable end		Refer to "STEERING CONTROL CABLES AND SPEED SENSOR LEAD"
	Steering cable end		Refer to "STEERING CONTROL CABLES AND SPEED SENSOR LEAD"
1	Ballwasher	11	
2	Steering pin	0	
2	Ballwasher	44	
4	Steering master assembly	0	
1	Oil	0	Refer to general steps for installation

Yamaha Fx140 Service Manual

Yamaha Motor Co



Yamaha Fx140 Service Manual:

Yamaha 50 Service Manual Yamaha Motor Co,1960 **Yamaha Service Manual R5-B.** Yamaha Motor Co. Service Department,1971 **Yamaha FZ6 Service and Repair Manual** Phil Mather,2008-01-01 FZ6 S SA Fazer 600cc 04 07 FZ6 N NA 600cc 04 07 FZ6 Fazer S2 600cc 07 08 FZ6 S2 600cc 07 08 **Yamaha Combined Service Manual** ,1972

Yamaha 50 Service Manual Yamaha International Corporation,196? Yamaha FJR1300, '01 To '13 Editors of Haynes Manuals,Matthew Coombs,2020-05-26 Yamaha FJR1300 01 13 is written specifically for the do it yourselfer with step by step procedures linked to hundreds of easy to follow photos and illustrations *Yamaha XV V-Twins '81 to 96'* Alan Ahlstrand,John Harold Haynes,2000 **Yamaha YZF750R, YZF750SP, and YZF1000R Thunderace Service and Repair Manual** John Haynes,2001-09-16 Haynes **Yamaha Service Manual CS2E.** Yamaha Motor Co. Service Division,197? **Yamaha Service Manual** Yamaha Motor Co,196?

Delve into the emotional tapestry woven by Emotional Journey with in Experience **Yamaha Fx140 Service Manual** . This ebook, available for download in a PDF format (PDF Size: *), is more than just words on a page; itis a journey of connection and profound emotion. Immerse yourself in narratives that tug at your heartstrings. Download now to experience the pulse of each page and let your emotions run wild.

<https://ftp.barnabastoday.com/results/uploaded-files/index.jsp/who%20wrote%20the%20book%20of%20james.pdf>

Table of Contents Yamaha Fx140 Service Manual

1. Understanding the eBook Yamaha Fx140 Service Manual
 - The Rise of Digital Reading Yamaha Fx140 Service Manual
 - Advantages of eBooks Over Traditional Books
2. Identifying Yamaha Fx140 Service Manual
 - Exploring Different Genres
 - Considering Fiction vs. Non-Fiction
 - Determining Your Reading Goals
3. Choosing the Right eBook Platform
 - Popular eBook Platforms
 - Features to Look for in an Yamaha Fx140 Service Manual
 - User-Friendly Interface
4. Exploring eBook Recommendations from Yamaha Fx140 Service Manual
 - Personalized Recommendations
 - Yamaha Fx140 Service Manual User Reviews and Ratings
 - Yamaha Fx140 Service Manual and Bestseller Lists
5. Accessing Yamaha Fx140 Service Manual Free and Paid eBooks
 - Yamaha Fx140 Service Manual Public Domain eBooks
 - Yamaha Fx140 Service Manual eBook Subscription Services
 - Yamaha Fx140 Service Manual Budget-Friendly Options

6. Navigating Yamaha Fx140 Service Manual eBook Formats
 - ePub, PDF, MOBI, and More
 - Yamaha Fx140 Service Manual Compatibility with Devices
 - Yamaha Fx140 Service Manual Enhanced eBook Features
7. Enhancing Your Reading Experience
 - Adjustable Fonts and Text Sizes of Yamaha Fx140 Service Manual
 - Highlighting and Note-Taking Yamaha Fx140 Service Manual
 - Interactive Elements Yamaha Fx140 Service Manual
8. Staying Engaged with Yamaha Fx140 Service Manual
 - Joining Online Reading Communities
 - Participating in Virtual Book Clubs
 - Following Authors and Publishers Yamaha Fx140 Service Manual
9. Balancing eBooks and Physical Books Yamaha Fx140 Service Manual
 - Benefits of a Digital Library
 - Creating a Diverse Reading Collection Yamaha Fx140 Service Manual
10. Overcoming Reading Challenges
 - Dealing with Digital Eye Strain
 - Minimizing Distractions
 - Managing Screen Time
11. Cultivating a Reading Routine Yamaha Fx140 Service Manual
 - Setting Reading Goals Yamaha Fx140 Service Manual
 - Carving Out Dedicated Reading Time
12. Sourcing Reliable Information of Yamaha Fx140 Service Manual
 - Fact-Checking eBook Content of Yamaha Fx140 Service Manual
 - Distinguishing Credible Sources
13. Promoting Lifelong Learning
 - Utilizing eBooks for Skill Development
 - Exploring Educational eBooks
14. Embracing eBook Trends
 - Integration of Multimedia Elements

- Interactive and Gamified eBooks

Yamaha Fx140 Service Manual Introduction

In the digital age, access to information has become easier than ever before. The ability to download Yamaha Fx140 Service Manual has revolutionized the way we consume written content. Whether you are a student looking for course material, an avid reader searching for your next favorite book, or a professional seeking research papers, the option to download Yamaha Fx140 Service Manual has opened up a world of possibilities. Downloading Yamaha Fx140 Service Manual provides numerous advantages over physical copies of books and documents. Firstly, it is incredibly convenient. Gone are the days of carrying around heavy textbooks or bulky folders filled with papers. With the click of a button, you can gain immediate access to valuable resources on any device. This convenience allows for efficient studying, researching, and reading on the go. Moreover, the cost-effective nature of downloading Yamaha Fx140 Service Manual has democratized knowledge. Traditional books and academic journals can be expensive, making it difficult for individuals with limited financial resources to access information. By offering free PDF downloads, publishers and authors are enabling a wider audience to benefit from their work. This inclusivity promotes equal opportunities for learning and personal growth. There are numerous websites and platforms where individuals can download Yamaha Fx140 Service Manual. These websites range from academic databases offering research papers and journals to online libraries with an expansive collection of books from various genres. Many authors and publishers also upload their work to specific websites, granting readers access to their content without any charge. These platforms not only provide access to existing literature but also serve as an excellent platform for undiscovered authors to share their work with the world. However, it is essential to be cautious while downloading Yamaha Fx140 Service Manual. Some websites may offer pirated or illegally obtained copies of copyrighted material. Engaging in such activities not only violates copyright laws but also undermines the efforts of authors, publishers, and researchers. To ensure ethical downloading, it is advisable to utilize reputable websites that prioritize the legal distribution of content. When downloading Yamaha Fx140 Service Manual, users should also consider the potential security risks associated with online platforms. Malicious actors may exploit vulnerabilities in unprotected websites to distribute malware or steal personal information. To protect themselves, individuals should ensure their devices have reliable antivirus software installed and validate the legitimacy of the websites they are downloading from. In conclusion, the ability to download Yamaha Fx140 Service Manual has transformed the way we access information. With the convenience, cost-effectiveness, and accessibility it offers, free PDF downloads have become a popular choice for students, researchers, and book lovers worldwide. However, it is crucial to engage in ethical downloading practices and prioritize personal security when utilizing online platforms. By doing so, individuals can make the most of the vast array of free PDF resources available and embark on a journey of

continuous learning and intellectual growth.

FAQs About Yamaha Fx140 Service Manual Books

How do I know which eBook platform is the best for me? Finding the best eBook platform depends on your reading preferences and device compatibility. Research different platforms, read user reviews, and explore their features before making a choice. Are free eBooks of good quality? Yes, many reputable platforms offer high-quality free eBooks, including classics and public domain works. However, make sure to verify the source to ensure the eBook credibility. Can I read eBooks without an eReader? Absolutely! Most eBook platforms offer web-based readers or mobile apps that allow you to read eBooks on your computer, tablet, or smartphone. How do I avoid digital eye strain while reading eBooks? To prevent digital eye strain, take regular breaks, adjust the font size and background color, and ensure proper lighting while reading eBooks. What the advantage of interactive eBooks? Interactive eBooks incorporate multimedia elements, quizzes, and activities, enhancing the reader engagement and providing a more immersive learning experience. Yamaha Fx140 Service Manual is one of the best book in our library for free trial. We provide copy of Yamaha Fx140 Service Manual in digital format, so the resources that you find are reliable. There are also many Ebooks of related with Yamaha Fx140 Service Manual. Where to download Yamaha Fx140 Service Manual online for free? Are you looking for Yamaha Fx140 Service Manual PDF? This is definitely going to save you time and cash in something you should think about.

Find Yamaha Fx140 Service Manual :

[*who wrote the book of james*](#)

[*white fang classic starts series*](#)

[*who runs the church 4 views on church government counterpoints church life*](#)

[white elephant dead death on demand mysteries no 11](#)

[*wicked problems righteous solutions a catalog of modern engineering paradigms*](#)

[*wife hunter vol douglas classic*](#)

[*wie geistiges heilen funktioniert erkenntnis ebook*](#)

[white 1409 sewing machine manual](#)

[*white athena the afrocentrist theft of greek civilization*](#)

[*whos afraid of charles darwin debating feminism and evolutionary theory*](#)

wife mother and mystic blessed anna maria taigi

white pages long island new york

who is jesus linking the historical jesus with the christ of faith

whispered lies bad agency book 3

white and rodgers thermostat control manual

Yamaha Fx140 Service Manual :

congruent triangles worksheet milliken publishing company - Sep 07 2022

web angles of a triangle explanation examples we know that every shape in the universe is based on angles the square is basically four lines connected so that each

angles of a triangle milliken publishing company pdf - Dec 30 2021

angles of a triangle milliken publishing company pdf uniport edu - Apr 02 2022

web angles of a triangle milliken publishing company 3 3 reveals a fun fact thought provoking exercises encourage students to enjoy working the pages while gaining

ordering sides and angles of a triangle worksheets - Jan 11 2023

web angles of a triangle milliken publishing company 1 angles of a triangle milliken publishing company missing measurements triangles and quadrilaterals ccss

milliken publishing co st louis missouri - Aug 18 2023

web angle and triangle word search 16 types of quadrilaterals 17 properties of parallelograms 18

angles of a triangle review geometry article khan - Feb 12 2023

web another triangle in a right triangle the hypotenuse and one leg congruent to the hypotenuse and leg of another right triangle in the chart place an x in all columns that

angles of a triangle milliken publishing company pdf - Jun 16 2023

web angles of a triangle milliken publishing company 1 angles of a triangle milliken publishing company ccss hsg co b 7 8 triangle congruence missing

angles of triangles how many angles does a triangle have - Jul 05 2022

web sep 1 2023 all we provide angles of a triangle milliken publishing company and numerous books collections from fictions to scientific research in any way accompanied

angles of a triangle milliken publishing company - Mar 13 2023

web all three angles in any triangle always add up to 180 degrees so if you only have two of the angles with you just add them together and then subtract the sum from 180 ex a triangle has three angles a b and c angle a equals 60 angle b equals 84 what is the

angles of a triangle milliken publishing company book - Jul 17 2023

web angles of a triangle milliken publishing company book review unveiling the power of words in a global driven by information and connectivity the energy of words has be

angles of a triangle milliken publishing company - Oct 28 2021

moore public schools home - Dec 10 2022

web mar 27 2023 congruent triangles worksheet milliken publishing company answers mp4056 triangles are one of the fundamental shapes in geometry understanding

geometric terminology ccp interactive - Sep 19 2023

web angles of a triangle r s t a c e f h i g milliken publishing company 5 mp4057 triangle inequalities in one triangle the longest side is opposite the largest angle and the shortest side is opposite the smallest angle when given the lengths of two sides of a

angles of a triangle milliken publishing company full pdf - Oct 08 2022

web as a result the interior angles are 60 30 and 90 degrees example 2 determine the exterior angle s measurement 50 30 z 80 as a result the exterior angle

angles of a triangle worksheet milliken publishing company - May 03 2022

web we would like to show you a description here but the site won t allow us

special right triangles worksheet milliken publishing company - Aug 06 2022

web angles of a triangle worksheet milliken publishing company the angle of algebra measures the key mp3497 answer the reversers are each able to measure the angle

angles of a triangle worksheet answers milliken - Nov 09 2022

web the triangle with angle θ can be bisected giving two right angled triangles with angles $\theta/2$ stars astronomy the sum of the measures in degrees of the angles of a triangle is

angles of a triangle explanation examples - Jun 04 2022

web sep 20 2023 angles of a triangle milliken publishing company 1 1 downloaded from uniport edu ng on september 20 2023 by guest angles of a triangle milliken

angles in polygons worksheet answers milliken - May 15 2023

web the segment that measures the height of a triangle is called the angles that are supplementary sum to angles that are complementary sum to the pythagorean

[angles of a triangle milliken publishing company copy](#) - Mar 01 2022

web angles of a triangle milliken publishing company decoding angles of a triangle milliken publishing company revealing the captivating potential of verbal

[quora a place to share knowledge and better understand the world](#) - Jan 31 2022

web 2 angles of a triangle milliken publishing company 2022 08 22 their geometry skills each page begins with a clear explanation of the featured geometry topic providing extra

angles of a triangle milliken publishing company pdf - Nov 28 2021

kmbt 754 20151016031139 mrs bell s icm class - Apr 14 2023

web angles of a triangle milliken publishing company geometry grades 7 10 enhanced ebook ccss hsg co c 10 proving triangle theorems intro to

vuelvete imparable volumen ii saga vuélvete - Aug 15 2023

web jan 1 2016 volumen ii saga vuélvete millonario spanish edition garcía calvo lain 9781536811643 amazon com books books

[vuelvete imparable volumen ii saga vuelvete millo download](#) - Jun 01 2022

web mar 10 2023 kindly say the vuelvete imparable volumen ii saga vuelvete millo is universally compatible with any devices to read conceive it believe it achieve it

[vuelvete imparable volumen ii saga vuélvete millonario](#) - Jul 14 2023

web webvuelvete imparable volumen ii saga vuélvete millonario band 2 by lain garcía calvo con el poder de tus pensamientos ese día conocerás la verdad y serás libre más de

[vuelvete imparable volumen ii saga vuélvete millonario band 2](#) - Aug 03 2022

web jul 21 2023 this vuelvete imparable volumen ii saga vuelvete millo as one of the most operational sellers here will entirely be among the best options to review national

[vuelvete imparable volumen ii saga vuelvete millo pdf copy](#) - Mar 30 2022

web vuelvete imparable volumen ii saga vuelvete millo right here we have countless books vuelvete imparable volumen ii saga vuelvete millo and collections to check out we

pdf vuelvete imparable volumen ii saga vuelvete millo - Sep 04 2022

web jun 11 2023 vuelvete imparable volumen ii saga vuélvete millonario band 2 by lain garcía calvo alma humana es capaz

de obrar milagros en tu vida si está bien dirigida

vuelvete imparable volumen ii saga vuelvete millo full pdf - Apr 11 2023

web vuelvete imparable volumen ii saga vuelvete millo downloaded from bk swordsswords com by guest shelton arthur

midnight mass mcgraw hill

vuelvete imparable volumen ii saga vuelvete millo pdf copy - Jun 13 2023

web amazon com vuelvete imparable volumen ii saga vuélvete millonario spanish edition 9781536811643 garcía calvo lain

libros

vuelvete imparable volumen ii saga vuelvete millo pdf - Oct 25 2021

web about press copyright contact us creators advertise developers terms privacy policy safety how youtube works test new features nfl sunday ticket press copyright

libro vuelvete imparable volumen ii saga vuelvete - Dec 07 2022

web vuélvete imparable volumen i 1 saga vuélvete millonario garcía calvo lain amazon es libros

vuelvete imparable volumen ii saga vuelvete millo uniport edu - Oct 05 2022

web vuelvete imparable volumen ii saga vuelvete millo juegos funerarios saga tirano 3 sep 21 2021 tercera entrega de la maravillosa saga tirano sigue la disputa del

vuelvete imparable volumen ii saga vuelvete millo - Mar 10 2023

web vuelvete imparable volumen ii saga vuelvete millo downloaded from test downing co uk by guest laci dale 3 doors down seventeen days jessica kingsley publishers an

vuelvete imparable volumen ii saga vuélvete millonario - May 12 2023

web vuelvete imparable volumen ii saga vuelvete millo this is likewise one of the factors by obtaining the soft documents of this vuelvete imparable volumen ii saga vuelvete

valid love 2 bölüm koreantürk kore dizileri - Jan 28 2022

web dec 17 2017 milo ve hep ters giden İşleri 2 bölümüyle karşınızda milo hayatında ilk kez bir futbol maçını izlemeye gider bu sırada milo zack ve diğer arkadaşları bilimsel bir

milo murphy s law milo ve hep ters giden İşleri 2 bölüm - Dec 27 2021

web jun 21 2023 vuelvete imparable volumen ii saga vuelvete millo 2 6 downloaded from uniport edu ng on june 21 2023 by guest 555 000 followers on instagram 700 000

vuelvete imparable volumen ii saga vuelvete millo copy - Feb 09 2023

web vuelvete imparable volumen ii saga vuelvete millo champion of the phirasword feb 28 2020 with the chadoin war won those who believe the prophecy meant the chadoin

download solutions vuelvete imparable volumen ii saga - Jan 08 2023

web características principales título del libro vuelvete imparable volumen ii saga vuelvete millonario autor garcía calvo l idioma español editorial del libro createspace

free vuelvete imparable volumen ii saga vuelvete millo - Apr 30 2022

web vuelvete imparable volumen ii saga vuelvete millo pdf embracing the song of appearance an emotional symphony within vuelvete imparable volumen ii saga

vuelvete imparable volumen ii saga vuelvete millo herbert - Feb 26 2022

web dec 4 2014 sevdiği ablasının ölümüyle yüzleşmesine rağmen cesur ve nazik bir insandır yoon cho won ban ji eum ile tesadüfen karşılaşır ve onda ablasını görür bu nedenle

vuelvete imparable volumen ii saga vuelvete millo pdf - Nov 25 2021

web may 20 2023 vuelvete imparable volumen ii saga vuelvete millo 2 7 downloaded from uniport edu ng on may 20 2023 by guest macallan 18 amen so when the gorgeous

infinite challenge 442 bölüm türkçe altyazılı youtube - Sep 23 2021

vuélvete imparable volumen i 1 saga vuélvete millonario - Nov 06 2022

web may 9 2023 vuelvete imparable volumen ii saga vuelvete millo 1 1 downloaded from uniport edu ng on may 9 2023 by guest vuelvete imparable volumen ii saga vuelvete

vuelvete imparable volumen ii saga vuelvete millo veronica - Jul 02 2022

web 2 vuelvete imparable volumen ii saga vuelvete millo 2020 04 18 your change starts today blessed to bless as ambassadors of lain s books

glass engineering handbook subsequent edition amazon com - Sep 04 2022

web jan 1 1984 glass engineering handbook subsequent edition by george w mclellan author errol b shand author see all formats and editions glass engineering handbook isbn 10 007044823x isbn 13 978 0070448230

engineered materials handbook desk edition asm digital library - Mar 30 2022

web abstract this article describes the chemical composition physical properties thermal properties mechanical properties electrical properties optical properties magnetic properties and chemical properties of glasses glass

glass engineering handbook amazon com - Nov 06 2022

web may 19 2012 glass engineering handbook hardcover may 19 2012 by errol bertram shand author w h armistead foreword 1 rating see all formats and editions

glass engineering handbook errol bertram shand google books - Oct 05 2022

web may 19 2012 glass engineering handbook errol b shand snippet view 1958 glass engineering handbook errol b shand snippet view 1958 glass engineering handbook errol bertram shand no preview available 2012 bibliographic information title glass engineering handbook author errol bertram shand contributor w h

glass engineering handbook errol b shand google books - Apr 11 2023

web glass engineering handbook mcgraw hill handbooks author errol b shand edition 2 publisher mcgraw hill 1958 original from the university of michigan digitized nov 30 2007 isbn

pdf glass engineering researchgate - Aug 03 2022

web oct 1 2019 pdf on oct 1 2019 jens henrik nielsen and others published glass engineering find read and cite all the research you need on researchgate

glass engineering handbook ciltli kapak 1 mart 1984 - Dec 07 2022

web glass engineering handbook mclellan george w shand errol b amazon com tr kitap

glass engineering handbook abebooks - Feb 26 2022

web handbook of the glass industry a book of reference for the factory engineer chemist and plant executive bompiled and edited by samuel r scholes 1941 leatherbound by scholes samuel ray and a great selection of related books art and collectibles available now at abebooks com

glass engineering handbook researchgate - Feb 09 2023

web jan 1 2002 download citation glass engineering handbook incluido index find read and cite all the research you need on researchgate

glass engineering handbook 2nd edition hardcover abebooks - Jul 02 2022

web glass engineering handbook 2nd edition shand e b greene c h grant j a armistead w h published by mcgraw hill 1958 isbn 10 0070563950 isbn 13 9780070563957

glass engineering handbook by errol b shand open library - Mar 10 2023

web jul 30 2019 glass engineering handbook by errol b shand 1984 mcgraw hill edition in english 3rd ed

glass engineering handbook amazon com tr - Jun 13 2023

web glass engineering handbook shand errol bertram amazon com tr kitap Çerez tercihlerinizi seçin Çerez bildirimimizde ayrıntılı şekilde açıklandığı üzere alışveriş yapmanızı sağlamak alışveriş deneyiminizi iyileştirmek ve hizmetlerimizi sunmak için gerekli olan çerezleri ve benzer araçları kullanırız

springer handbook of glass springerlink - Aug 15 2023

web this handbook provides comprehensive treatment of the modern state of glass science from the leading experts in the field covering fundamental properties glass families characterization processing and modeling through optical photonic

environmental and architectural applications

[glass engineering handbook george w mclellan errol b](#) - Jul 14 2023

web glass engineering handbook authors george w mclellan errol b shand editors george w mclellan errol b shand edition 3 illustrated publisher mcgraw hill 1984 original from the

[glass engineering handbook book read summary reviews](#) - Jun 01 2022

web discover glass engineering handbook book an intriguing read explore glass engineering handbook in z library and find free summary reviews read online quotes related books ebook resources

[read download glass engineering handbook pdf pdf](#) - Apr 30 2022

web read online glass engineering handbook and download glass engineering handbook book full in pdf formats search results for glass engineering handbook pdf download pdf download

springer handbook of glass google books - Jan 08 2023

web nov 8 2019 springer handbook of glass j david musgraves juejun hu laurent calvez springer nature nov 8 2019 technology engineering 1841 pages this handbook provides comprehensive treatment of

[glass engineering handbook errol b shand google books](#) - May 12 2023

web glass engineering handbook mcgraw hill handbooks author errol b shand edition 2 publisher mcgraw hill 1958 original from the university of california digitized jun 23 2011 isbn

glazing design analysis using nga s engineering standards - Jan 28 2022

web mar 23 2021 here s a quick rundown the tables in these two manuals can be used to determine minimum allowable glass thickness open joints widths that do not allow fingers to be inserted or trapped and appropriate hardware selection for interior glass walls and heavy glass doors