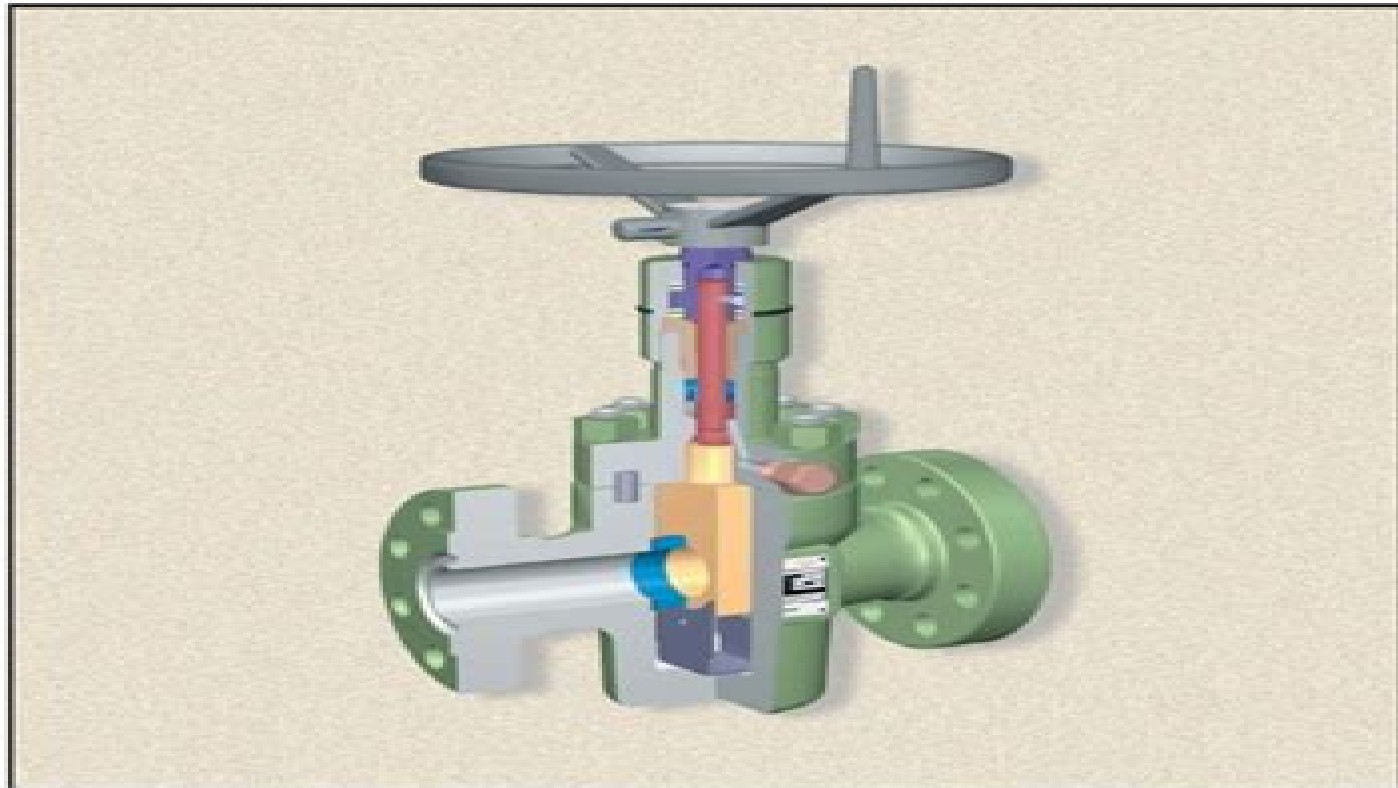


Manually Actuated Cameron FL and FLS Gate Valves



TC148



User Manual For Cameron Hydraulic Gate Valves

Herbert H. Hoop



User Manual For Cameron Hydraulic Gate Valves:

A Practical Handbook for Drilling Fluids Processing Samuel Bridges, Leon Robinson, 2020-02-15 A Practical Handbook for Drilling Fluids Processing delivers a much needed reference for drilling fluid and mud engineers to safely understand how the drilling fluid processing operation affects the drilling process Agitation and blending of new additions to the surface system are explained with each piece of drilled solids removal equipment discussed in detail Several calculations of drilled solids such as effect of retort volumes are included along with multiple field methods such as determining the drilled solids density Tank arrangements are covered as well as operating guidelines for the surface system Rounding out with a solutions chapter with additional instruction and an appendix with equation derivations this book gives today's drilling fluid engineers a tool to understand the technology available and step by step guidelines of how to safely evaluate surface systems in the oil and gas fields Presents practical guidance from real example problems that are encountered on drilling rigs Helps readers understand multiple field methods and drilled solids calculations with the help of practice questions Gives readers what they need to master each piece of drilling fluid processing equipment including mud cleaners and safe mud tank arrangements

Petroleum Refining Design and Applications Handbook, Volume 2 A. Kayode Coker, 2021-04-13 A must read for any practicing engineer or student in this area There is a renaissance that is occurring in chemical and process engineering and it is crucial for today's scientists engineers technicians and operators to stay current This book offers the most up to date and comprehensive coverage of the most significant and recent changes to petroleum refining presenting the state of the art to the engineer scientist or student Useful as a textbook this is also an excellent handy go to reference for the veteran engineer a volume no chemical or process engineering library should be without

Survey of Available High Pressure Pneumatic Components Herbert H. Hoop, 1965 The response of approximately 340 manufacturers of pneumatic components from 622 contacted has revealed that over 30 companies list items rated for pressures of 10 000 psi or greater and over 40 list items above 5000 psi Several items are rated for 30 000 60 000 75 000 and 150 000 psi Most of the components rated for 10 000 psi or greater pressures are miniature or designed for low volume flow Approximately ten companies list large volume components rated for pressure of 10 000 psi Information was requested on the following components filters relief valves regulators check valves solenoid valves hand valves shutoff valves and flex hose However other components have been listed including those rated for 5000 psi or higher pressures Author

Underwater Technology L. Atteraa, F. Frydenbø, B. Hatlestad, 2013-10-22 Underwater Technology Offshore Petroleum covers the proceedings of the Underwater Technology Conference The book discusses the development of safe and economic underwater operations and systems for underwater petroleum production The text is comprised of 20 chapters which are divided into four parts according to the areas of concern they tackle Part 1 concerns itself with subsea production systems and Part 2 tackles the operations system Part 3 covers topics relating to inspection reliability and control while Part 4

discusses testing The book will be of great interest to professionals and researchers concerned with the development of underwater petroleum production

Pipeline Rules of Thumb Handbook M.J. Kaiser, E.W. McAllister, 2022-09-02
Pipeline Rules of Thumb Handbook A Manual of Quick Accurate Solutions to Everyday Pipeline Engineering Problems Ninth Edition the latest release in the series serves as the go to source for all pipeline engineering answers Updated with new data graphs and chapters devoted to economics and the environment this new edition delivers on new topics including emissions decommissioning cost curves and more while still maintaining the quick answer standard display of content and data that engineers have utilized throughout their careers Glossaries are added per chapter for better learning tactics along with additional storage tank and LNG fundamentals This book continues to be the high quality classic reference to help pipeline engineers solve their day to day problems Contains new chapters that highlight costs safety and environmental topics including discussions on emissions Helps readers learn terminology with updated glossaries in every chapter Includes renovated graphs and data tables throughout

Hydraulic Design Handbook Larry W. Mays, 1999
Hydraulics of pressurized flow
Hydraulics of open channel flow
Subsurface flow and transport
Environmental hydraulics
Sedimentation and erosion hydraulics
Risk reliability based hydraulics engineering design
Hydraulics design for energy generation
Hydraulics of water distribution systems
Pump system hydraulic design
Water distribution system design
Hydraulic transient design for pipeline systems
Hydraulic design of drainage for highways
Hydraulic design of urban drainage systems
Hydraulics design of culverts and highway structures
Hydraulic design of flood control channels
Hydraulic design of spillways
Hydraulic design of stilling basins and energy dissipators
Floodplain hydraulics
Flow transitions and energy dissipators for culverts and channels
Hydraulic design of flow measuring structures
Water and wastewater treatment plant hydraulics
Hydraulic design for groundwater contamination
Artificial recharge of groundwater systems design and management

Handbook of Hydraulic Fluid Technology George E. Totten, 1999-10-15
This text aims to facilitate a broader understanding of the total hydraulic system including hardware fluid properties and testing and hydraulic lubricants It provides a comprehensive and rigorous overview of hydraulic fluid technology and evaluates the ecological benefits of water as an important alternative technology Equations tables and illustrations are used to clarify and reinforce essential concepts

Blowout of the Mexican Oil Well Ixtoc I United States. Congress. House. Committee on Merchant Marine and Fisheries, 1980

The Composite Catalog of Oil Field Equipment & Services, 1996

Thermal-Hydraulic Analysis of Nuclear Reactors Bahman Zohuri, 2017-05-23
This revised text covers the fundamentals of thermodynamics required to understand electrical power generation systems and the application of these principles to nuclear reactor power plant systems The book begins with fundamental definitions of units and dimensions thermodynamic variables and the Laws of Thermodynamics progressing to sections on specific applications of the Brayton and Rankine cycles for power generation and projected reactor systems design issues It is not a traditional general thermodynamics text per se but a practical

thermodynamics volume intended to explain the fundamentals and apply them to the challenges facing actual nuclear power plants systems where thermal hydraulics comes to play There have been significant new findings for intercooled systems since the previous edition published and they will be included in this volume New technology plans for using a Nuclear Air Brayton as a storage system for a low carbon grid are presented along with updated component sizes and performance criteria for Small Modular Reactors Written in a lucid straight forward style while retaining scientific rigor the content is accessible to upper division undergraduate students and aimed at practicing engineers in nuclear power facilities and engineering scientists and technicians in industry academic research groups and national laboratories The book is also a valuable resource for students and faculty in various engineering programs concerned with nuclear reactors

Thank you very much for downloading **User Manual For Cameron Hydraulic Gate Valves**. Maybe you have knowledge that, people have look numerous times for their favorite readings like this User Manual For Cameron Hydraulic Gate Valves, but end up in infectious downloads.

Rather than enjoying a good book with a cup of coffee in the afternoon, instead they are facing with some harmful virus inside their computer.

User Manual For Cameron Hydraulic Gate Valves is available in our digital library an online access to it is set as public so you can get it instantly.

Our book servers spans in multiple countries, allowing you to get the most less latency time to download any of our books like this one.

Merely said, the User Manual For Cameron Hydraulic Gate Valves is universally compatible with any devices to read

https://ftp.barnabastoday.com/public/publication/index.jsp/Water_And_Aqueous_Systems_Guided_Answers_Chemistry.pdf

Table of Contents User Manual For Cameron Hydraulic Gate Valves

1. Understanding the eBook User Manual For Cameron Hydraulic Gate Valves
 - The Rise of Digital Reading User Manual For Cameron Hydraulic Gate Valves
 - Advantages of eBooks Over Traditional Books
2. Identifying User Manual For Cameron Hydraulic Gate Valves
 - Exploring Different Genres
 - Considering Fiction vs. Non-Fiction
 - Determining Your Reading Goals
3. Choosing the Right eBook Platform
 - Popular eBook Platforms
 - Features to Look for in an User Manual For Cameron Hydraulic Gate Valves
 - User-Friendly Interface
4. Exploring eBook Recommendations from User Manual For Cameron Hydraulic Gate Valves

- Personalized Recommendations
 - User Manual For Cameron Hydraulic Gate Valves User Reviews and Ratings
 - User Manual For Cameron Hydraulic Gate Valves and Bestseller Lists
5. Accessing User Manual For Cameron Hydraulic Gate Valves Free and Paid eBooks
 - User Manual For Cameron Hydraulic Gate Valves Public Domain eBooks
 - User Manual For Cameron Hydraulic Gate Valves eBook Subscription Services
 - User Manual For Cameron Hydraulic Gate Valves Budget-Friendly Options
 6. Navigating User Manual For Cameron Hydraulic Gate Valves eBook Formats
 - ePub, PDF, MOBI, and More
 - User Manual For Cameron Hydraulic Gate Valves Compatibility with Devices
 - User Manual For Cameron Hydraulic Gate Valves Enhanced eBook Features
 7. Enhancing Your Reading Experience
 - Adjustable Fonts and Text Sizes of User Manual For Cameron Hydraulic Gate Valves
 - Highlighting and Note-Taking User Manual For Cameron Hydraulic Gate Valves
 - Interactive Elements User Manual For Cameron Hydraulic Gate Valves
 8. Staying Engaged with User Manual For Cameron Hydraulic Gate Valves
 - Joining Online Reading Communities
 - Participating in Virtual Book Clubs
 - Following Authors and Publishers User Manual For Cameron Hydraulic Gate Valves
 9. Balancing eBooks and Physical Books User Manual For Cameron Hydraulic Gate Valves
 - Benefits of a Digital Library
 - Creating a Diverse Reading Collection User Manual For Cameron Hydraulic Gate Valves
 10. Overcoming Reading Challenges
 - Dealing with Digital Eye Strain
 - Minimizing Distractions
 - Managing Screen Time
 11. Cultivating a Reading Routine User Manual For Cameron Hydraulic Gate Valves
 - Setting Reading Goals User Manual For Cameron Hydraulic Gate Valves
 - Carving Out Dedicated Reading Time
 12. Sourcing Reliable Information of User Manual For Cameron Hydraulic Gate Valves

- Fact-Checking eBook Content of User Manual For Cameron Hydraulic Gate Valves
 - Distinguishing Credible Sources
13. Promoting Lifelong Learning
- Utilizing eBooks for Skill Development
 - Exploring Educational eBooks
14. Embracing eBook Trends
- Integration of Multimedia Elements
 - Interactive and Gamified eBooks

User Manual For Cameron Hydraulic Gate Valves Introduction

In this digital age, the convenience of accessing information at our fingertips has become a necessity. Whether its research papers, eBooks, or user manuals, PDF files have become the preferred format for sharing and reading documents. However, the cost associated with purchasing PDF files can sometimes be a barrier for many individuals and organizations. Thankfully, there are numerous websites and platforms that allow users to download free PDF files legally. In this article, we will explore some of the best platforms to download free PDFs. One of the most popular platforms to download free PDF files is Project Gutenberg. This online library offers over 60,000 free eBooks that are in the public domain. From classic literature to historical documents, Project Gutenberg provides a wide range of PDF files that can be downloaded and enjoyed on various devices. The website is user-friendly and allows users to search for specific titles or browse through different categories. Another reliable platform for downloading User Manual For Cameron Hydraulic Gate Valves free PDF files is Open Library. With its vast collection of over 1 million eBooks, Open Library has something for every reader. The website offers a seamless experience by providing options to borrow or download PDF files. Users simply need to create a free account to access this treasure trove of knowledge. Open Library also allows users to contribute by uploading and sharing their own PDF files, making it a collaborative platform for book enthusiasts. For those interested in academic resources, there are websites dedicated to providing free PDFs of research papers and scientific articles. One such website is Academia.edu, which allows researchers and scholars to share their work with a global audience. Users can download PDF files of research papers, theses, and dissertations covering a wide range of subjects. Academia.edu also provides a platform for discussions and networking within the academic community. When it comes to downloading User Manual For Cameron Hydraulic Gate Valves free PDF files of magazines, brochures, and catalogs, Issuu is a popular choice. This digital publishing platform hosts a vast collection of publications from around the world. Users can search for specific titles or explore various categories and genres. Issuu offers a seamless reading experience with its user-friendly interface and allows users to download PDF files for

offline reading. Apart from dedicated platforms, search engines also play a crucial role in finding free PDF files. Google, for instance, has an advanced search feature that allows users to filter results by file type. By specifying the file type as "PDF," users can find websites that offer free PDF downloads on a specific topic. While downloading User Manual For Cameron Hydraulic Gate Valves free PDF files is convenient, it's important to note that copyright laws must be respected. Always ensure that the PDF files you download are legally available for free. Many authors and publishers voluntarily provide free PDF versions of their work, but it's essential to be cautious and verify the authenticity of the source before downloading User Manual For Cameron Hydraulic Gate Valves. In conclusion, the internet offers numerous platforms and websites that allow users to download free PDF files legally. Whether it's classic literature, research papers, or magazines, there is something for everyone. The platforms mentioned in this article, such as Project Gutenberg, Open Library, Academia.edu, and Issuu, provide access to a vast collection of PDF files. However, users should always be cautious and verify the legality of the source before downloading User Manual For Cameron Hydraulic Gate Valves any PDF files. With these platforms, the world of PDF downloads is just a click away.

FAQs About User Manual For Cameron Hydraulic Gate Valves Books

What is a User Manual For Cameron Hydraulic Gate Valves PDF? A PDF (Portable Document Format) is a file format developed by Adobe that preserves the layout and formatting of a document, regardless of the software, hardware, or operating system used to view or print it. **How do I create a User Manual For Cameron Hydraulic Gate Valves PDF?** There are several ways to create a PDF: Use software like Adobe Acrobat, Microsoft Word, or Google Docs, which often have built-in PDF creation tools. Print to PDF: Many applications and operating systems have a "Print to PDF" option that allows you to save a document as a PDF file instead of printing it on paper. Online converters: There are various online tools that can convert different file types to PDF. **How do I edit a User Manual For Cameron Hydraulic Gate Valves PDF?** Editing a PDF can be done with software like Adobe Acrobat, which allows direct editing of text, images, and other elements within the PDF. Some free tools, like PDFescape or Smallpdf, also offer basic editing capabilities. **How do I convert a User Manual For Cameron Hydraulic Gate Valves PDF to another file format?** There are multiple ways to convert a PDF to another format: Use online converters like Smallpdf, Zamzar, or Adobe Acrobat's export feature to convert PDFs to formats like Word, Excel, JPEG, etc. Software like Adobe Acrobat, Microsoft Word, or other PDF editors may have options to export or save PDFs in different formats. **How do I password-protect a User Manual For Cameron Hydraulic Gate Valves PDF?** Most PDF editing software allows you to add password protection. In Adobe Acrobat, for instance, you can go to "File" -> "Properties" -> "Security" to set a password to restrict access or editing capabilities. Are there any free alternatives to Adobe

Acrobat for working with PDFs? Yes, there are many free alternatives for working with PDFs, such as: LibreOffice: Offers PDF editing features. PDFsam: Allows splitting, merging, and editing PDFs. Foxit Reader: Provides basic PDF viewing and editing capabilities. How do I compress a PDF file? You can use online tools like Smallpdf, ILovePDF, or desktop software like Adobe Acrobat to compress PDF files without significant quality loss. Compression reduces the file size, making it easier to share and download. Can I fill out forms in a PDF file? Yes, most PDF viewers/editors like Adobe Acrobat, Preview (on Mac), or various online tools allow you to fill out forms in PDF files by selecting text fields and entering information. Are there any restrictions when working with PDFs? Some PDFs might have restrictions set by their creator, such as password protection, editing restrictions, or print restrictions. Breaking these restrictions might require specific software or tools, which may or may not be legal depending on the circumstances and local laws.

Find User Manual For Cameron Hydraulic Gate Valves :

water and aqueous systems guided answers chemistry

watsapp link deleted on my nokia asha

warn 8274 winch operators manual

water safety instructor manual

washington driver guide spanish

[wapda distribution store manual](#)

warco press 60 ton manual

[wanneer woorde onnodig afrikaans jacolet ebook](#)

[way to success complete guide english two](#)

[warriors dawn of the clans 2 thunder rising](#)

[watercolor sketching for beginners 20 enhanced edition watercolor sketching for beginners art watercolor](#)

[warlords revenge hyperspace high](#)

[warchild by lowachee karin april 1 2002 mass market paperback](#)

warum beziehungen scheitern burnout platz ebook

[watchkit programmieren f r apple watch](#)

User Manual For Cameron Hydraulic Gate Valves :

parks maintenance worker test questions - Mar 02 2022

web questions and numerous ebook collections from fictions to scientific research in any way in the midst of them is this parks maintenance worker test questions that can be your partner faa aviation news 1991 park construction coordinator national learning corporation 2020 02 15 the park construction coordinator passbook r prepares you

20 most asked general maintenance worker interview questions - Jul 18 2023

web mar 13 2023 common general maintenance worker interview questions what experience do you have with general maintenance tasks such as painting carpentry and plumbing describe a time when you had to troubleshoot an issue with a piece of equipment or machinery how do you prioritize different types of maintenance requests

parks canada maintenance worker interview questions - Feb 13 2023

web apr 25 2022 parks canada maintenance worker interview questions updated apr 25 2022 find interviews to filter interviews sign in or register filter found 2 of over 51 interviews sort popular most recent oldest first easiest most difficult interviews at parks canada experience positive 100 getting an interview applied online 100

what does a parks maintenance worker do zippia - Nov 10 2022

web aug 22 2023 perform patching potholing asphalt level up full depth repair maintenance of curb gutter systems and storm sewer systems maintain grounds and buildings of parks and other county buildings including mowing snow plowing building park shelters and buildings show more parks maintenance worker responsibilities

civil service maintenance test preparation 2023 practice4me - May 16 2023

web the civil service maintenance worker exam questions usually tests the following key areas comprehension tests the candidate s ability to read and understand this section is particularly important because maintenance workers often need to read and understand instructions in order to carry out their day to day jobs

park maintenance worker interview questions glassdoor - Sep 20 2023

web jul 15 2019 park maintenance worker interview questions 13 park maintenance worker interview questions shared by candidates top interview questions sort relevance popular date park maintenance worker was asked january 16 2021 have you driven a riding lawn mower before 1 answers yes multiple different kinds

read free park maintenance worker exam sample - Apr 15 2023

web park maintenance worker exam sample custodial worker ii c 4749 aug 24 2020 the custodial worker ii passbook r prepares you for your test by allowing you to take ksas are identified for each question so test takers can easily locate relevant source materials for further study tips for reading the questions avoiding common pitfalls

department of human resources brla gov - Aug 07 2022

web the maintenance worker series exam is required for the following classifications maintenance worker i maintenance worker and maintenance worker iii this booklet contains sample questions only studying this booklet will not necessarily

improve your exam score february 2018 purpose and content of this study

test information guide maintenance worker illinois - Sep 08 2022

web maintenance equipment perform maintenance work and identify the cause of various equipment failures that may occur when performing maintenance work test question topics include safe use of lawn and garden equipment routine equipment maintenance troubleshooting equipment malfunctions minor equipment repairs vi

parks maintenance worker overview what is a parks zippia - Dec 11 2022

web sep 14 2023 a parks maintenance worker also is responsible for the cleaning and maintenance of public areas and restrooms and also for safety inspections on playground equipment and other communal areas to ensure public safety most park maintenance workers do not need a bachelor s degree or an advanced degree to obtain a job in this

parks maintenance worker job description salary more - Jan 12 2023

web aug 22 2019 parks maintenance workers keep up the appearance health and safety of landscapes and features in public parks they maintain jogging and biking paths hiking trails athletic fields playgrounds picnic tables benches lawns flower beds and gardens

37 grounds maintenance worker interview questions - Mar 14 2023

web 1 when have you ran into an issue with a supplier what was the issue and how did you resolve it 2 do you have any mechanical skills 3 describe what interests you about yard care and maintaining the property 4 do you have any experience using a zero turn mower 5 on a fertilizer bag what does the three numbers stand for

maintenance test questions with answers proprofs quiz - Aug 19 2023

web jul 20 2023 are you preparing to take your exams take our quiz and assess your readiness explore questions on various aspects of house maintenance from plumbing and electrical work to general repairs and troubleshooting discover how well prepared you are to handle household tasks like a pro

parks maintenance worker test questions 2023 test - Oct 09 2022

web parks maintenance worker test questions whispering the strategies of language an psychological journey through parks maintenance worker test questions in a digitally driven earth wherever screens reign supreme and instant transmission drowns out the subtleties of language the profound strategies

parks maintenance worker test questions marketspot uccs - Feb 01 2022

web the expense of parks maintenance worker test questions and numerous books collections from fictions to scientific research in any way along with them is this parks maintenance worker test questions that can be your partner parks maintenance worker test questions downloaded from marketspot uccs edu by guest

parks maintenance worker test questions donner medair org - Apr 03 2022

web february 2018 department of human resources brla gov this study guide contains sample questions similar to those you will find on the maintenance worker i ii test to get the most out of this booklet work through the questions without looking at the answers when you complete the test questions then look at the answers

parcs maintenance worker i calopps - Jul 06 2022

web parks maintenance worker i salary 3 263 to 4 591 monthly 26 pay periods annually final filing date we are accepting the applications or closing at 5 00 pm february 11 2021 written test tentatively scheduled for march 10 2021 it is mandatory that you complete the supplemental questionnaire

park maintenance worker 1 calcareers - May 04 2022

web jan 25 2023 exam code 7pb08 department parks and recreation exam type departmental open final filing date exam self scheduling period will open in february classification details park maintenance worker 1 3 719 00 4 663 00 per month view

park maintenance worker 1 classification specifications application

parcs and grounds series monroe county - Jun 05 2022

web maintenance of buildings and equipment these questions test for knowledge of the principles and practices involved in the overall maintenance and upkeep of the typical structures buildings and equipment found in park facilities and may include such areas as proper maintenance and repair of buildings minor mechanical and electrical systems

park maintenance assistant exam flashcards quizlet - Jun 17 2023

web 1 177 flashcards learn test match q chat beta created by aprilcott247 terms in this set 177 latex paint that uses water as thinner reinforced concrete concrete that has been strengthened by the addition of long steel enforcing rods rip saw the tool that should be used to cut a 1 x 4 plank down to 3 inches trap

tennis arena apps on google play - Oct 24 2021

web tennis java game download to your mobile for free phoneky free java games menu sections apps java games java games genre misc android games

tennis free version download for pc freedownloadmanager - Jan 27 2022

web nov 10 2022 description screenshot download tennis 1 35 from our software library for free the actual developer of the software is get free flash games our built in antivirus

free tennis mobile java games mobiles24 - Nov 05 2022

web download free tennis mobile java games to your android and iphone mobile phone and tablet get free downloadable tennis mobile java games for your mobile device free

free download tennis the game for nokia asha 210 app - Mar 29 2022

web jul 18 2023 tennis the game test your reaction ability to take fast decisions and hit accuracy in the game tennis the for

nokia asha 210 download app free toggle

free download tennis the game for java games app - Jul 13 2023

web tennis the game test your reaction ability to take fast decisions and hit accuracy in the game tennis the for java games download app free

runnable mini tennis game using threads java stack overflow - Mar 09 2023

web jan 5 2015 i am trying to develop mini tennis game using threads the aim of this game is to catch the balls moving on the window with the paddle that can be controlled with the

sonic tennis java game download for free on phoneky - Dec 06 2022

web page information download sonic tennis game for mobiles one of the best java games at phoneky free java games market you can download mobile games for any

[tennis game for android download](#) - Dec 26 2021

web feb 21 2023 a full version program for android by hemelix game studio tennis mania fun game is the world s 1 mobile sports game enjoy the game s realistic graphics

java tutorial through katas tennis game easy java code - Jul 01 2022

web may 6 2014 tennis game implement a simple tennis game rules scores from zero to three points are described as love fifteen thirty and forty respectively if at least

tennis java game download for free on phoneky - Jan 07 2023

web downloads 2174 reviews 0 description tennis java game info info ratings reviews 0 review summary there are currently no reviews for this game be the first to review

download the best of tennis games for android uptodown - Nov 24 2021

web discover the best of tennis games for android world of tennis roaring 20s pocket tennis league tennis manager download them for free and virus free from uptodown

tennis the java game download on phoneky - Oct 04 2022

web tennis the java game test your reaction ability to take fast decisions and hit accuracy in the game tennis the game outrun your opponents score maximum points and

tennis game download for java uniport edu - Apr 29 2022

web aug 15 2023 we meet the expense of you this proper as competently as easy quirk to get those all we pay for tennis game download for java and numerous ebook collections

download tennis game best software apps softonic - Aug 02 2022

web download tennis game free and safe download download the latest version of the top software games programs and apps

in 2023

[phoneky tennis java games](#) - Aug 14 2023

web java games service is provided by phoneky and it s 100 free games can be downloaded by nokia samsung sony and other java os mobile phones download

[tennis games play now for free at crazygames](#) - Feb 25 2022

web play the best online tennis games for free on crazygames no download or installation required play table tennis world tour and many more right now show more

tennis game github topics github - Apr 10 2023

web aug 17 2023 ultimate tennis quiz is a trivia game directed at tennis fans game trivia game development unity3d quiz tennis tennis game quiz game trivia game updated

[tennis tournament 2011 java game download for free on](#) - Sep 03 2022

web page information download tennis tournament 2011 game for mobiles one of the best java games at phoneky free java games market you can download mobile

java tutorial through katas tennis game easy - Feb 08 2023

web apr 23 2014 java tutorial through katas tennis game easy 2 replies a programming kata is an exercise which helps a programmer hone his skills through

[java tennis scoreboard free download sourceforge](#) - May 31 2022

web last update 2023 01 01 see project jsportgames collection of simple java sport games collection of simple java sport games highly customizable source code available

[tennisgame java github](#) - May 11 2023

web tennisgame1 java love love fifteen fifteen thirty thirty forty forty overforty over forty import static org junit assert tennisgame2 game new

[tennis java game download for free on phoneky](#) - Jun 12 2023

web downloads 24840 size 13 kb reviews 9 other versions 2 description tennis java game info info ratings reviews 9 5 review summary 100 of 9 reviewers would

tennis java game download on phoneky - Sep 22 2021

[download lippincott biochemistry 6th edition pdf free](#) - Sep 15 2023

web may 2 2022 download lippincott biochemistry 6th edition pdf free direct link medical study zone lippincott s illustrated reviews biochemistry 6th edition pdf for

[biochemistry lippincott s illustrated reviews 6th edition](#) - Apr 10 2023

web title lippincott illustrated reviews biochemistry 7th edition 2017 author ferrier denise r category biology biochemistry language english isbn

[lippincott pharmacology 6th edition pdf free download](#) - Mar 29 2022

biochemistry lippincott illustrated review paperback amazon in - Dec 26 2021

lippincott illustrated reviews biochemistry lww - Jan 27 2022

biochemistry lippincotts illustrated res series 5th fifth edition by - Sep 03 2022

web lippincott williams wilkins 2014 medical 552 pages lippincott s illustrated reviews biochemistry is the long established first and best resource for the essentials

lippincott s illustrated reviews biochemistry 5th edition pdf - Oct 24 2021

[file download lippincotts biochemistry 6th edition pdf by ferrier](#) - Jul 13 2023

web oct 9 2022 download lippincott biochemistry latest edition pdf free now you can download lippincott biochemistry latest edition pdf from medicalstudyzone com

lippincott s biochemistry 7th edition pdf free download - Aug 02 2022

web product description selected as a doody s core title for 2021 2022 and 2023 praised by faculty and students for more than two decades lippincott illustrated reviews

biochemistry denise r ferrier google books - Feb 25 2022

[lippincott s illustrated reviews biochemistry 6th edition](#) - Jul 01 2022

web defective wrong and missing item 10 days from delivery replacement selected as a doody s core title for 2021 2022 and 2023 praised by faculty and students for more

[lippincott illustrated reviews biochemistry 8th edition](#) - Jan 07 2023

web jun 9 2016 book review lippincott s illustrated reviews biochemistry is the long established first and best resource for the essentials of biochemistry students rely on

[lippincott biochemistry latest edition pdf free download](#) - May 11 2023

web chapter 6 bioenergetics and oxidative phosphorylation add to remove from your favorites chapter 7 introduction to

carbohydrates add to remove from your

lippincott illustrated reviews biochemistry seventh edition - Apr 29 2022

web sign in lippincott s illustrated reviews biochemistry 5th edition pdf google drive sign in

biochemistry lippincott s illustrated review 6th edition pdf free - Jun 12 2023

web jan 1 2013 biochemistry lippincott s illustrated reviews 6th edition by ph d ferrier denise r author 4 3 138 ratings see all formats and editions

lippincott biochemistry 6th edition free download pdf - Aug 14 2023

web read download file pdf lippincotts biochemistry 6th edition by ferrier denise r update the latest version with high quality try now

lippincott s illustrated reviews biochemistry 6e medical - Feb 08 2023

web aug 8 2021 name lippincott illustrated reviews biochemistry edition 7th file type pdf file size 400 mb download

lippincott s biochemistry 7th edition by

lippincott biochemistry 8th edition pdf free - Mar 09 2023

web biochemistry lippincotts illustrated res series 5th fifth edition by richard a harvey denise r ferrier published by lippincott williams wilkins 2010 paperback edition

download lippincott illustrated reviews biochemistry 7th edition - Oct 04 2022

web the sixth edition of lippincott pharmacology the student favorite guide to the fundamentals of medical pharmacology has been revised and improved the lippincott

lippincott illustrated reviews biochemistry 7th - Dec 06 2022

web lippincott s illustrated reviews biochemistry 6th edition by ferrier denise r from flipkart com only genuine products 30 day replacement guarantee free shipping

lippincott s illustrated reviews biochemistry 6 e - Nov 24 2021

free download lippincotts biochemistry 6th edition - Nov 05 2022

web lippincott illustrated reviews biochemistry is the long established first and best resource for the essentials of biochemistry students rely on this text to help them

lippincott s illustrated reviews biochemistry 6th edition - May 31 2022

web jan 1 2013 43 27 129 only 1 left in stock order soon biochemistry lippincott williams wilkins ferrier 2013 edn 6 language english publisher wolter