

Side view

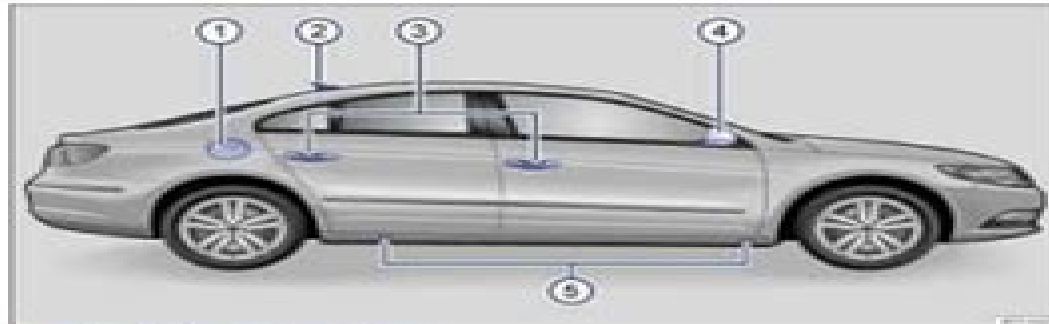


Fig. 1 Vehicle side overview.

Key to → fig. 1:

- (1) Fuel filler flap
- (2) Roof antenna
- (3) Outside door handles
- (4) Outside mirror:
 - Additional turn signal light
 - Background lighting
- (5) Lift points for the jack

Volkswagen Cc Manual

Minjie Lin



Volkswagen Cc Manual:

Aircooled VW Engine Interchange Manual : The User's Guide to Original and Aftermarket Parts... Keith Seume,1996 Find out which parts will fit your engine and what theyll do for it with this valuable guide to all engine ignition and carburetion parts for your classic VW engine Tuning recommendations on equipping engines for economy performance mild performance increases fast road or full race performance Includes stock part interchange specs and parts numbers and describes the wide range of aftermarket parts available

The Complete Book of Volkswagen GTI Russell Hayes,2025-10-28 Take a visually thrilling joy ride through the complete history and influence of one of the most enduring and pleasurable consumer focused sports cars of all time VW has sold over 2 5 million Golf GTIs across eight generations since its debut in 1975 as a 1976 model and the car remains popular with both seasoned and newer collectors including Gen X and Millennial enthusiasts Celebrating 50 years of continuous production The Complete Book of Volkswagen GTI is the ultimate resource for the sportier side of VW enthusiasts and racing fans This comprehensive book features A look back at the GTI s rich racing history including World Rally Touring Car and other categories Details on other performance models like the Scirocco Corrado Golf R32 Jetta GLI and more Fresh insights interviews and more Lavishly illustrated pages The Complete Book of Volkswagen GTI will delight and inspire any classic racing fan and VW enthusiast in your life

The Book of the Volkswagen Type 3 Simon Glen, This book tells the definitive international story of the Volkswagen Type 3 Simon Glen writes from first hand experience having owned seven Type 3s five Variants a 1500 Notchback and a 1500S Karmann Ghia which have been driven through Africa Europe Australia and New Zealand Covering the Type 3 s 20 year production span and detailing Type 3 Notchbacks Fastbacks Variants and the Karmann Ghia this book provides a fascinating insight into the history and production of these classic cars

How to Rebuild VW Air-Cooled Engines Prescott Phillips,2019-08-15 Covers rebuilding the VW Type 1 2 and 3 engines beginning in the year 1961 when a significant redesign improved the reliability durability and horsepower of the basic initial design For more than 70 years automotive enthusiasts and the public in general have embraced the VW air cooled engine for its simplicity its capacity to be modified and its bulletproof reliability Offering beautiful color photos and insightful step by step captions for expertly rebuilding Volkswagen air cooled engines this book will provide in depth hands on information for disassembly inspection machining parts selection preassembly final assembly installation and tuning Not only are the procedures for rebuilding covered in depth but engine model types identification codes specifications and details are also covered in a manner that allows the user to source a good later model candidate for rebuilding and helps retrofit the modern engine designs into earlier chassis One of the most widely used and versatile internal combustion engines in the world this engine has powered VW Beetles Buses Porsche 914s off road buggies and rails formula race cars and many other machines both on and off road If you have any interest in reviving your old VW or perhaps are researching purchasing one this handy guide will cover all the bases in bringing that old air cooled powerplant back to

life **VW GTI, Golf, Jetta, MK III & IV** Kevin Clemens, Volkswagen's GTI Golf and Jetta are long time favorites among sport compact performance enthusiasts With engines ranging from the 2.0 liter naturally aspirated four cylinder to the 1.8 liter turbo 4 to the VR6 the Mk III and Mk IV generations 1993-2004 offer tuners a wealth of opportunities This book turns these opportunities into realities from deciding which vehicle to buy to keeping it running in tip top condition to enhancing the performance and appearance of your VW Focusing on the engine wheels and tires suspension body kits interiors and more each project includes straightforward instruction along with details about the necessary parts cost time and skill If you want to get the biggest bang for your VW buck this book is your road map *Volkswagen Transporter Workshop Manual, 1963-1967* Volkswagen of America, 1992 Just as the Beetle started a long tradition of Volkswagen automotive excellence these are the manuals that created the Bentley reputation for clarity thoroughness and indispensability Our air cooled Volkswagen manuals provide both do it yourself owners and professional mechanics with clear explanations and illustrations detailed service steps and time saving troubleshooting tips In the same tradition as our classic 1961-1965 Type 1 manual this manual offers owners of 1960s vintage Transporters the long out of print factory repair information Indispensable to anyone interested in the history or restoration of the Transporter this book includes complete coverage of 1200 and 1500 engines dual circuit brakes and body dimension specifications for all models including those with a sliding sunroof All factory updates are listed by chassis number and date introduced This is the one book no serious Type 2 enthusiast should be without

The Complete Book of Classic Volkswagens John Gunnell, 2017-06-20 Volkswagens are some of the most iconic and easily recognizable cars on the road and *The Complete Book of Classic Volkswagens* is your definitive visual encyclopedia The classic air cooled Volkswagen Beetle officially the Volkswagen Type 1 is regarded as one of the most important and well engineered vehicles of the twentieth century It was the most popular imported car in America in the 1960s and before that it enjoyed a humble beginning as the people's car in its native Germany *The Complete Book of Classic Volkswagens* encompasses the evolution of the popular Beetle as well as other variations of Volkswagen's air cooled cars vans and trucks Thoroughly illustrated this is an invaluable reference to Volkswagen's collectible and iconic cars The history of VW automobiles is just as colorful as the hues they were manufactured in and this book illustrates the full story German automakers originally sought to supply their countrymen with an automobile that was easy to mass produce By 1938 they finalized the design for the VW Bug the first rear engine rear wheel drive configured car In its heyday the rounded Beetle was produced at a rate of more than one million per year Today with more than 23 million cars built the Beetle holds the record as the most produced passenger car of all time But the Beetle is only one part of *The Complete Book of Classic Volkswagens* The rest from Type 2 vans pick ups and campers to the Type 113 Super Beetle is included here If you're the owner of a Volkswagen or if you just love their iconic look and you're interested in their evolution this book deserves a place on your bookshelf **Volkswagen Beetle, Karmann Ghia Official Service Manual, Type 1** Volkswagen of America,

Inc,1972 The Volkswagen Beetle and Karmann Ghia Service Manual Type 1 1966 1969 features wiring diagrams including 6 volt systems convertible top repair carburetor rebuilding 30 PICT 1 and 30 PICT 2 and comprehensive year and model specifications and troubleshooting tables Amazon com [Automotive Literature Index](#) ,1987 Vol for 1947 76 indexes Car and driver Motor trend and Road 1977 81 indexes 15 American automotive journals *National Union Catalog* ,1973 Includes entries for maps and atlases [Focus On: 100 Most Popular Sedans](#) Wikipedia contributors, *Aviation Maintenance Technician Handbook-Powerplant* Federal Aviation Administration (FAA)/Aviation Supplies & Academics (ASA),2012 This new FAA AMT Handbook Powerplant Volume 1 and 2 replaces and supersedes Advisory Circular AC 65 12A Completely revised and updated this handbook reflects current operating procedures regulations and equipment This book was developed as part of a series of handbooks for persons preparing for mechanic certification with airframe or powerplant ratings or both those seeking an Aviation Maintenance Technician AMT Certificate also called an A P license An effective text for both students and instructors this handbook will also serve as an invaluable reference guide for current technicians who wish to improve their knowledge Powerplant Volume 1 Aircraft Engines Engine Fuel and Fuel Metering Systems Induction and Exhaust Systems Engine Ignition and Electrical Systems Engine Starting Systems Powerplant Volume 2 Lubrication and Cooling Systems Propellers Engine Removal and Replacement Engine Fire Protection Systems Engine Maintenance and Operation Light Sport Aircraft Engines Includes colored charts tables full color illustrations and photographs throughout and an extensive glossary and index *The Christian Writer's Manual of Style* Robert Hudson,2016-08-30 The standard style guide of the Christian publishing industry The Christian Writer s Manual of Style 4th Edition compiled by veteran Zondervan editor Robert Hudson contains clear guidance on style questions related to religious writing including many topics not addressed in other references or online Nearly half of this fourth revision is made up of new material including information about turning blogs into books the effects of digital media on writing adverbial doubles vanishing accents word choice strategies endorser guidelines and much more It also contains an all new Word List which makes up more than a third of the book The most needful information remains entries on capitalization abbreviation citations fictional dialogue and more but it has all been updated to keep pace with changes in English language usage This fourth edition also corresponds with The Chicago Manual of Style 16th Edition 2010 though it isn t afraid to chart new territory where that reference is unhelpful on issues of religious writing Comprehensive yet easy to use The Christian Writer s Manual of Style 4th Edition is a go to resource for Christian authors pastors teachers copy writers editors proofreaders publishing and ministry professionals executive assistants and students anyone who writes or edits as a part of their work or study and for grammar aficionados everywhere [Focus On: 100 Most Popular Station Wagons](#) Wikipedia contributors, **Torque** ,2008-06 Singapore s best homegrown car magazine with an editorial dream team driving it We fuel the need for speed [PrimeFaces Cookbook - Second Edition](#) Mert Çalışkan,Oleg Varaksin,2015-05-28 This book is for everybody who would like to learn modern Java web

development based on PrimeFaces and is looking for a quick introduction to this matter Prerequisites for this book are basic JSF jQuery and CSS skills Directions ,1981 **Food & Wine** ,2009 **Architectural Digest** ,2009 **Lemon-Aid New Cars and Trucks 2011** Phil Edmonston,2010-11-11 As U S and Canadian automakers and dealers face bankruptcy and Toyota battles unprecedented quality control problems Lemon Aid guides steer the confused and anxious buyer through the economic meltdown unlike any other car and truck books on the market Phil Edmonston Canada s automotive Dr Phil for more than 40 years pulls no punches In this all new guide he says Chrysler s days are numbered with the dubious help of Fiat Electric cars and ethanol power are PR gimmicks Diesel and natural gas are the future Be wary of zombie vehicles Jaguar Land Rover Saab and Volvo Mercedes Benz rich cars poor quality There s only one Saturn you should buy Toyota enough apologies when you mess up fess up

Immerse yourself in heartwarming tales of love and emotion with Crafted by is touching creation, Tender Moments: **Volkswagen Cc Manual** . This emotionally charged ebook, available for download in a PDF format (Download in PDF: *), is a celebration of love in all its forms. Download now and let the warmth of these stories envelop your heart.

<https://ftp.barnabastoday.com/files/virtual-library/Documents/visual%20guide%20to%20elliott%20wave%20analysis.pdf>

Table of Contents Volkswagen Cc Manual

1. Understanding the eBook Volkswagen Cc Manual
 - The Rise of Digital Reading Volkswagen Cc Manual
 - Advantages of eBooks Over Traditional Books
2. Identifying Volkswagen Cc Manual
 - Exploring Different Genres
 - Considering Fiction vs. Non-Fiction
 - Determining Your Reading Goals
3. Choosing the Right eBook Platform
 - Popular eBook Platforms
 - Features to Look for in an Volkswagen Cc Manual
 - User-Friendly Interface
4. Exploring eBook Recommendations from Volkswagen Cc Manual
 - Personalized Recommendations
 - Volkswagen Cc Manual User Reviews and Ratings
 - Volkswagen Cc Manual and Bestseller Lists
5. Accessing Volkswagen Cc Manual Free and Paid eBooks
 - Volkswagen Cc Manual Public Domain eBooks
 - Volkswagen Cc Manual eBook Subscription Services
 - Volkswagen Cc Manual Budget-Friendly Options
6. Navigating Volkswagen Cc Manual eBook Formats

- ePub, PDF, MOBI, and More
- Volkswagen Cc Manual Compatibility with Devices
- Volkswagen Cc Manual Enhanced eBook Features
- 7. Enhancing Your Reading Experience
 - Adjustable Fonts and Text Sizes of Volkswagen Cc Manual
 - Highlighting and Note-Taking Volkswagen Cc Manual
 - Interactive Elements Volkswagen Cc Manual
- 8. Staying Engaged with Volkswagen Cc Manual
 - Joining Online Reading Communities
 - Participating in Virtual Book Clubs
 - Following Authors and Publishers Volkswagen Cc Manual
- 9. Balancing eBooks and Physical Books Volkswagen Cc Manual
 - Benefits of a Digital Library
 - Creating a Diverse Reading Collection Volkswagen Cc Manual
- 10. Overcoming Reading Challenges
 - Dealing with Digital Eye Strain
 - Minimizing Distractions
 - Managing Screen Time
- 11. Cultivating a Reading Routine Volkswagen Cc Manual
 - Setting Reading Goals Volkswagen Cc Manual
 - Carving Out Dedicated Reading Time
- 12. Sourcing Reliable Information of Volkswagen Cc Manual
 - Fact-Checking eBook Content of Volkswagen Cc Manual
 - Distinguishing Credible Sources
- 13. Promoting Lifelong Learning
 - Utilizing eBooks for Skill Development
 - Exploring Educational eBooks
- 14. Embracing eBook Trends
 - Integration of Multimedia Elements
 - Interactive and Gamified eBooks

Volkswagen Cc Manual Introduction

In today's digital age, the availability of Volkswagen Cc Manual books and manuals for download has revolutionized the way we access information. Gone are the days of physically flipping through pages and carrying heavy textbooks or manuals. With just a few clicks, we can now access a wealth of knowledge from the comfort of our own homes or on the go. This article will explore the advantages of Volkswagen Cc Manual books and manuals for download, along with some popular platforms that offer these resources. One of the significant advantages of Volkswagen Cc Manual books and manuals for download is the cost-saving aspect. Traditional books and manuals can be costly, especially if you need to purchase several of them for educational or professional purposes. By accessing Volkswagen Cc Manual versions, you eliminate the need to spend money on physical copies. This not only saves you money but also reduces the environmental impact associated with book production and transportation. Furthermore, Volkswagen Cc Manual books and manuals for download are incredibly convenient. With just a computer or smartphone and an internet connection, you can access a vast library of resources on any subject imaginable. Whether you're a student looking for textbooks, a professional seeking industry-specific manuals, or someone interested in self-improvement, these digital resources provide an efficient and accessible means of acquiring knowledge. Moreover, PDF books and manuals offer a range of benefits compared to other digital formats. PDF files are designed to retain their formatting regardless of the device used to open them. This ensures that the content appears exactly as intended by the author, with no loss of formatting or missing graphics. Additionally, PDF files can be easily annotated, bookmarked, and searched for specific terms, making them highly practical for studying or referencing. When it comes to accessing Volkswagen Cc Manual books and manuals, several platforms offer an extensive collection of resources. One such platform is Project Gutenberg, a nonprofit organization that provides over 60,000 free eBooks. These books are primarily in the public domain, meaning they can be freely distributed and downloaded. Project Gutenberg offers a wide range of classic literature, making it an excellent resource for literature enthusiasts. Another popular platform for Volkswagen Cc Manual books and manuals is Open Library. Open Library is an initiative of the Internet Archive, a non-profit organization dedicated to digitizing cultural artifacts and making them accessible to the public. Open Library hosts millions of books, including both public domain works and contemporary titles. It also allows users to borrow digital copies of certain books for a limited period, similar to a library lending system. Additionally, many universities and educational institutions have their own digital libraries that provide free access to PDF books and manuals. These libraries often offer academic texts, research papers, and technical manuals, making them invaluable resources for students and researchers. Some notable examples include MIT OpenCourseWare, which offers free access to course materials from the Massachusetts Institute of Technology, and the Digital Public Library of America, which provides a vast collection of digitized books and historical documents. In conclusion, Volkswagen Cc Manual books and manuals for download have transformed the way we access information. They provide a

cost-effective and convenient means of acquiring knowledge, offering the ability to access a vast library of resources at our fingertips. With platforms like Project Gutenberg, Open Library, and various digital libraries offered by educational institutions, we have access to an ever-expanding collection of books and manuals. Whether for educational, professional, or personal purposes, these digital resources serve as valuable tools for continuous learning and self-improvement. So why not take advantage of the vast world of Volkswagen Cc Manual books and manuals for download and embark on your journey of knowledge?

FAQs About Volkswagen Cc Manual Books

What is a Volkswagen Cc Manual PDF? A PDF (Portable Document Format) is a file format developed by Adobe that preserves the layout and formatting of a document, regardless of the software, hardware, or operating system used to view or print it. **How do I create a Volkswagen Cc Manual PDF?** There are several ways to create a PDF: Use software like Adobe Acrobat, Microsoft Word, or Google Docs, which often have built-in PDF creation tools. Print to PDF: Many applications and operating systems have a "Print to PDF" option that allows you to save a document as a PDF file instead of printing it on paper. Online converters: There are various online tools that can convert different file types to PDF. **How do I edit a Volkswagen Cc Manual PDF?** Editing a PDF can be done with software like Adobe Acrobat, which allows direct editing of text, images, and other elements within the PDF. Some free tools, like PDFescape or Smallpdf, also offer basic editing capabilities. **How do I convert a Volkswagen Cc Manual PDF to another file format?** There are multiple ways to convert a PDF to another format: Use online converters like Smallpdf, Zamzar, or Adobe Acrobats export feature to convert PDFs to formats like Word, Excel, JPEG, etc. Software like Adobe Acrobat, Microsoft Word, or other PDF editors may have options to export or save PDFs in different formats. **How do I password-protect a Volkswagen Cc Manual PDF?** Most PDF editing software allows you to add password protection. In Adobe Acrobat, for instance, you can go to "File" -> "Properties" -> "Security" to set a password to restrict access or editing capabilities. Are there any free alternatives to Adobe Acrobat for working with PDFs? Yes, there are many free alternatives for working with PDFs, such as: LibreOffice: Offers PDF editing features. PDFsam: Allows splitting, merging, and editing PDFs. Foxit Reader: Provides basic PDF viewing and editing capabilities. How do I compress a PDF file? You can use online tools like Smallpdf, ILovePDF, or desktop software like Adobe Acrobat to compress PDF files without significant quality loss. Compression reduces the file size, making it easier to share and download. Can I fill out forms in a PDF file? Yes, most PDF viewers/editors like Adobe Acrobat, Preview (on Mac), or various online tools allow you to fill out forms in PDF files by selecting text fields and entering information. Are there any restrictions when working with PDFs? Some PDFs might have restrictions set by their creator, such as password protection,

editing restrictions, or print restrictions. Breaking these restrictions might require specific software or tools, which may or may not be legal depending on the circumstances and local laws.

Find Volkswagen Cc Manual :

[visual guide to eliott wave analysis](#)

virtual lab mealworm behavior answers

vitalsource society basics access card

~~[viking husqvarna 630 manual](#)~~

~~[viper d1200.1 manual](#)~~

~~[violencia domestica un guia para deteccion prevencion y ayuda spanish edition](#)~~

virginia government and politics readings and comments

virtual politics faking democracy in the post soviet world

visions of culture visions of culture

[virtual dms programming manual](#)

virago 750 workshop manual

vitamins and minerals quick study health

vitamin k volume 78 vitamins and hormones

viking oscar manual

vincent van gogh a book of postcards

Volkswagen Cc Manual :

Living on the ragged edge: Bible study guide Living on the ragged edge: Bible study guide [Swindoll, Charles R] on Amazon ... Insight for Living (January 1, 1984). Language, English. Paperback, 95 pages. Living on the Ragged Edge: Coming to Terms with Reality Bible Companions & Study Guides/Living on the Ragged Edge: Coming to Terms with Reality ... Insights on the Bible · Article Library · Daily Devotional · Videos. Living on the Ragged Edge: Finding Joy in a World Gone ... Regardless of how we fill in the blank. Chuck Swindoll examines King Solomon's vain quest for satisfaction, recorded in the book of Ecclesiastes. In this ... Living on the Ragged Edge Living on the Ragged Edge. Chuck Swindoll sits down with Johnny Koons to discuss key life lessons related to Chuck's classic Living on the Ragged Edge series. Living on the Ragged Edge (Insight for Living Bible Study ... Living on the Ragged Edge (Insight for Living Bible Study Guides) by Charles R. Swindoll -

ISBN 10: 084998212X - ISBN 13: 9780849982125 - W Publishing Group ... Living on the Ragged Edge: Swindoll, Charles R. - Books The ultimate secret for "the good life." In the never-ending quest for fulfillment, we sometimes convince ourselves that life would be better if we just had ... Living on the Ragged Edge - Quotable Living on the Ragged Edge is a study of the book of Ecclesiastes, and it's for folks who live in the trenches — down there where it's dark and dirty and ... STS Studies and Message Mates Guide you through the biblical text of the current broadcast · Show you how to glean profound truths from God's Word · Help you understand, apply, and communicate ... Living on the ragged edge: Bible study guide... Living on the ragged edge: Bible study guide... by Charles R Swindoll. \$7.39 ... Publisher:Insight for Living. Length:95 Pages. Weight:1.45 lbs. You Might Also ... Living on the Ragged Edge, PDF Bible companion Living on the Ragged Edge, digital classic series. \$31.00. Old Testament Characters, study guide. The Red Hot Chili Peppers: An Oral/Visual History official Red Hot Chili Peppers story—an oral and visual autobiography from one of the world's greatest rock groups. ... With hundreds of photographs, poster ... An Oral/Visual History by the Red Hot Chili Peppers An Oral/Visual History by the Red Hot Chili Peppers is a book written by the Red Hot Chili Peppers along with Brendan Mullen. It was released as a hardcover ... The Red Hot Chili Peppers: An Oral/Visual History official Red Hot Chili Peppers story—an oral and visual autobiography from one of the world's greatest rock groups. ... With hundreds of photographs, poster ... Oral Visual History: The Red Hot Chili Peppers, Brendan ... This book is laid out beautifully and the pictures are clear and each of them tells a story, of intense passionate love of music, life, dedication, friendship, ... An Oral/Visual History by The Red Hot Chili Peppers official Red Hot Chili Peppers story—an oral and visual autobiography from one of the world's greatest rock groups. Together, Anthony Kiedis, John Frusciante, ... The Red Hot Chili Peppers: An Oral/Visual History - Softcover This is the book fans have been waiting for since Mother's Milk and Blood Sugar Sex Magik first hit the charts: The first (and only!) official Red Hot Chili ... 'The Red Hot Chili Peppers: An Oral/Visual History by ... Jun 1, 2011 — All the honesty, the pretense, the courage and one-of-a-kindness, the unbridled joy, the melancholy, and the shields we put up to shelter our ... The Red Hot Chili Peppers) official Red Hot Chili Peppers story—an oral and visual autobiography from ... An Oral/Visual History. By The Red Hot Chili Peppers,. On Sale: October 19 ... An Oral/Visual History by The Red Hot Chili Peppers (2010 ... official Red Hot Chili Peppers story-an oral and visual autobiography from one of the world's greatest rock groups. ... With hundreds of photographs, poster ... An Oral Visual History By The Red Hot Chili Peppers Harper Collins, 2010. Book. Fine. Hardcover. Signed by Author(s). 1st Edition. 4to - over 9¾ - 12" tall. Gorgeous As New Copy. First Edition.\$39.99 On Flap. Dip into Something Different: A... by Melting Pot Restaurants This beautiful, informational, and delicious cookbook offers options from salads to cheese to specialty drinks to chocolate fondue, making it a unique gift for ... Fondue Recipes | Shop | The Melting Pot Cookbook The Melting Pot's first cookbook, Dip into Something Different: A Collection of Recipes from Our Fondue Pot to Yours, allows you to create your own fondue at ... A Collection of Recipes from Our Fondue Pot to Yours ... Fondue fun! Dip into something

different with this collection of recipes, photographs, and interesting fondue facts from the famous Melting Pot restaurant. Dip into Something Different: A Collection of Recipes from ... Fondue fun! Dip into something different with this collection of recipes, photographs, and interesting fondue facts from the famous Melting Pot restaurant. A Collection of Recipes from Our Fondue Pot to Yours ... Fondue fun! Dip into something different with this collection of recipes, photographs, and interesting fondue facts from the famous Melting Pot restaurant. A Collection of Recipes from Our Fondue Pot to Yours ... Fondue fun Dip into something different with this collection of recipes, photographs, and interesting fondue facts from the famous Melting Pot restaurant. Dip into Something Different: A Collection of Recipes from ... Fondue Fun! The Melting Pot dares you to Dip Into Something Different with this collection of recipes, photographs, and interesting fondue facts. A Melting Pot Cookbook: Fondue Recipes to Keep Your ... Dip into Something Different: A Collection of Recipes from Our Fondue Pot to Yours. A Collection of Recipes from Our Fondue Pot to Yours ... Description. Fondue fun Dip into something different with this collection of recipes, photographs, and interesting fondue facts from the famous Melting Pot ... A Collection of Recipes from Our Fondue Pot to ... Dip Into Something Different: A Collection of Recipes from Our Fondue Pot to ; Quantity. 5 sold. 1 available ; Item Number. 282819381030 ; Publication Date. 2020- ...