

# Mitsubishi Delica L300 1986-1994 Workshop Manual

MANUAL TRANSMISSION - Transmission Assembly

22-7

11B-18

ENGINE «4D5» - Camshaft and Camshaft

**PDF**

Download

## TRANSMISSION ASSEMBLY

### REMOVAL AND INSTALLATION

#### Caution

Indicates parts which should be initially tightened, and then fully tightened after placing the vehicle horizontally and loading the full weight of the engine on the vehicle body.

#### Preventive Operation

- Front and Rear Transfer Case Lower Gear Removal (Refer to P.22-11)
- Transfer Case Flange Removal
- Transmission and Transfer Case Flange (Refer to P.22-11)
- Front and Rear Transfer Case Removal (Refer to P.22-11 - Transfer Case)
- Front and Rear Transfer Case Removal (Refer to P.22-11 - Exhaust Pipe and Manifold)

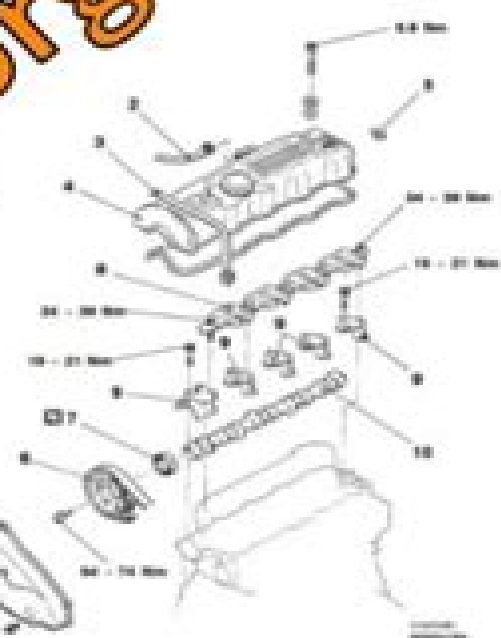
#### Preventive Operation

- Front and Rear Transfer Case Removal (Refer to P.22-11 - Exhaust Pipe and Manifold)
- Front and Rear Transfer Case Flange Removal (Refer to P.22-11 - Transfer Case)
- Transmission and Transfer Case Flange (Refer to P.22-11)
- Transfer Case Flange Installation
- Transmission and Transfer Case Lower Gear Operation (Refer to P.22-11)

## CAMSHAFT AND CAMSHAFT OIL SEAL

### REMOVAL AND INSTALLATION

- Preventive and Post-Installation Operation
- Transmission and Transfer Case Removal (Refer to P.22-11)



#### Removal steps

1. Remove the front and rear transfer case lower gears (Refer to P.22-11).
2. Remove the transfer case flange (Refer to P.22-11).
3. Remove the transmission and transfer case flange (Refer to P.22-11).
4. Remove the front and rear transfer cases (Refer to P.22-11 - Transfer Case).
5. Remove the front and rear transfer cases (Refer to P.22-11 - Exhaust Pipe and Manifold).

#### Complete removal steps

1. Remove the front and rear transfer case lower gears (Refer to P.22-11).
2. Remove the transfer case flange (Refer to P.22-11).
3. Remove the transmission and transfer case flange (Refer to P.22-11).
4. Remove the front and rear transfer cases (Refer to P.22-11 - Transfer Case).
5. Remove the front and rear transfer cases (Refer to P.22-11 - Exhaust Pipe and Manifold).

#### Complete oil seal removal steps

1. Remove the front and rear transfer case lower gears (Refer to P.22-11).
2. Remove the transfer case flange (Refer to P.22-11).
3. Remove the transmission and transfer case flange (Refer to P.22-11).
4. Remove the front and rear transfer cases (Refer to P.22-11 - Transfer Case).
5. Remove the front and rear transfer cases (Refer to P.22-11 - Exhaust Pipe and Manifold).

workshopmanuals.org

# Workshop Manual Mitsubishi L300 Manual Transmission

**Michael Seilmaier**



**Workshop Manual Mitsubishi L300 Manual Transmission:**

*Mitsubishi L300 Workshop Manual* ,1986      **Mitsubishi L300 Workshop Manual** Mitsubishi Jidōsha Kōgyō Kabushiki Kaisha,      **Mitsubishi L300 Workshop Manual Supplement** ,1983      **Autocar & Motor** ,1991      **Mitsubishi L300 Workshop Manual** ,1988      **Mitsubishi L300 Workshop Manual Supplement** Mitsubishi Jidōsha Kōgyō Kabushiki Kaisha,19??      **Mitsubishi Lancer Front Wheel Drive Manual Transmission Workshop Manual** ,1989      **Mitsubishi Pajero Rear Wheel Drive Manual Transmission Workshop Manual** ,1989      **Mitsubishi L300: '90 Workshop Manual** ,1989      *Mitsubishi Engine and Transmission Workshop Manual* Mitsubishi Jidōsha Kōgyō Kabushiki Kaisha,1985

Thank you for downloading **Workshop Manual Mitsubishi L300 Manual Transmission**. As you may know, people have look numerous times for their favorite readings like this Workshop Manual Mitsubishi L300 Manual Transmission, but end up in malicious downloads.

Rather than enjoying a good book with a cup of coffee in the afternoon, instead they cope with some infectious bugs inside their laptop.

Workshop Manual Mitsubishi L300 Manual Transmission is available in our digital library an online access to it is set as public so you can download it instantly.

Our digital library spans in multiple locations, allowing you to get the most less latency time to download any of our books like this one.

Kindly say, the Workshop Manual Mitsubishi L300 Manual Transmission is universally compatible with any devices to read

[https://ftp.barnabastoday.com/results/scholarship/HomePages/un\\_final\\_perfecto\\_spanish\\_edition.pdf](https://ftp.barnabastoday.com/results/scholarship/HomePages/un_final_perfecto_spanish_edition.pdf)

## **Table of Contents Workshop Manual Mitsubishi L300 Manual Transmission**

1. Understanding the eBook Workshop Manual Mitsubishi L300 Manual Transmission
  - The Rise of Digital Reading Workshop Manual Mitsubishi L300 Manual Transmission
  - Advantages of eBooks Over Traditional Books
2. Identifying Workshop Manual Mitsubishi L300 Manual Transmission
  - Exploring Different Genres
  - Considering Fiction vs. Non-Fiction
  - Determining Your Reading Goals
3. Choosing the Right eBook Platform
  - Popular eBook Platforms
  - Features to Look for in an Workshop Manual Mitsubishi L300 Manual Transmission
  - User-Friendly Interface
4. Exploring eBook Recommendations from Workshop Manual Mitsubishi L300 Manual Transmission

- Personalized Recommendations
  - Workshop Manual Mitsubishi L300 Manual Transmission User Reviews and Ratings
  - Workshop Manual Mitsubishi L300 Manual Transmission and Bestseller Lists
5. Accessing Workshop Manual Mitsubishi L300 Manual Transmission Free and Paid eBooks
    - Workshop Manual Mitsubishi L300 Manual Transmission Public Domain eBooks
    - Workshop Manual Mitsubishi L300 Manual Transmission eBook Subscription Services
    - Workshop Manual Mitsubishi L300 Manual Transmission Budget-Friendly Options
  6. Navigating Workshop Manual Mitsubishi L300 Manual Transmission eBook Formats
    - ePub, PDF, MOBI, and More
    - Workshop Manual Mitsubishi L300 Manual Transmission Compatibility with Devices
    - Workshop Manual Mitsubishi L300 Manual Transmission Enhanced eBook Features
  7. Enhancing Your Reading Experience
    - Adjustable Fonts and Text Sizes of Workshop Manual Mitsubishi L300 Manual Transmission
    - Highlighting and Note-Taking Workshop Manual Mitsubishi L300 Manual Transmission
    - Interactive Elements Workshop Manual Mitsubishi L300 Manual Transmission
  8. Staying Engaged with Workshop Manual Mitsubishi L300 Manual Transmission
    - Joining Online Reading Communities
    - Participating in Virtual Book Clubs
    - Following Authors and Publishers Workshop Manual Mitsubishi L300 Manual Transmission
  9. Balancing eBooks and Physical Books Workshop Manual Mitsubishi L300 Manual Transmission
    - Benefits of a Digital Library
    - Creating a Diverse Reading Collection Workshop Manual Mitsubishi L300 Manual Transmission
  10. Overcoming Reading Challenges
    - Dealing with Digital Eye Strain
    - Minimizing Distractions
    - Managing Screen Time
  11. Cultivating a Reading Routine Workshop Manual Mitsubishi L300 Manual Transmission
    - Setting Reading Goals Workshop Manual Mitsubishi L300 Manual Transmission
    - Carving Out Dedicated Reading Time
  12. Sourcing Reliable Information of Workshop Manual Mitsubishi L300 Manual Transmission

- Fact-Checking eBook Content of Workshop Manual Mitsubishi L300 Manual Transmission
  - Distinguishing Credible Sources
13. Promoting Lifelong Learning
- Utilizing eBooks for Skill Development
  - Exploring Educational eBooks
14. Embracing eBook Trends
- Integration of Multimedia Elements
  - Interactive and Gamified eBooks

### **Workshop Manual Mitsubishi L300 Manual Transmission Introduction**

In the digital age, access to information has become easier than ever before. The ability to download Workshop Manual Mitsubishi L300 Manual Transmission has revolutionized the way we consume written content. Whether you are a student looking for course material, an avid reader searching for your next favorite book, or a professional seeking research papers, the option to download Workshop Manual Mitsubishi L300 Manual Transmission has opened up a world of possibilities. Downloading Workshop Manual Mitsubishi L300 Manual Transmission provides numerous advantages over physical copies of books and documents. Firstly, it is incredibly convenient. Gone are the days of carrying around heavy textbooks or bulky folders filled with papers. With the click of a button, you can gain immediate access to valuable resources on any device. This convenience allows for efficient studying, researching, and reading on the go. Moreover, the cost-effective nature of downloading Workshop Manual Mitsubishi L300 Manual Transmission has democratized knowledge. Traditional books and academic journals can be expensive, making it difficult for individuals with limited financial resources to access information. By offering free PDF downloads, publishers and authors are enabling a wider audience to benefit from their work. This inclusivity promotes equal opportunities for learning and personal growth. There are numerous websites and platforms where individuals can download Workshop Manual Mitsubishi L300 Manual Transmission. These websites range from academic databases offering research papers and journals to online libraries with an expansive collection of books from various genres. Many authors and publishers also upload their work to specific websites, granting readers access to their content without any charge. These platforms not only provide access to existing literature but also serve as an excellent platform for undiscovered authors to share their work with the world. However, it is essential to be cautious while downloading Workshop Manual Mitsubishi L300 Manual Transmission. Some websites may offer pirated or illegally obtained copies of copyrighted material. Engaging in such activities not only violates copyright laws but also undermines the efforts of authors, publishers, and researchers. To ensure ethical downloading, it is advisable to utilize reputable websites that

prioritize the legal distribution of content. When downloading Workshop Manual Mitsubishi L300 Manual Transmission, users should also consider the potential security risks associated with online platforms. Malicious actors may exploit vulnerabilities in unprotected websites to distribute malware or steal personal information. To protect themselves, individuals should ensure their devices have reliable antivirus software installed and validate the legitimacy of the websites they are downloading from. In conclusion, the ability to download Workshop Manual Mitsubishi L300 Manual Transmission has transformed the way we access information. With the convenience, cost-effectiveness, and accessibility it offers, free PDF downloads have become a popular choice for students, researchers, and book lovers worldwide. However, it is crucial to engage in ethical downloading practices and prioritize personal security when utilizing online platforms. By doing so, individuals can make the most of the vast array of free PDF resources available and embark on a journey of continuous learning and intellectual growth.

### FAQs About Workshop Manual Mitsubishi L300 Manual Transmission Books

1. Where can I buy Workshop Manual Mitsubishi L300 Manual Transmission books? Bookstores: Physical bookstores like Barnes & Noble, Waterstones, and independent local stores. Online Retailers: Amazon, Book Depository, and various online bookstores offer a wide range of books in physical and digital formats.
2. What are the different book formats available? Hardcover: Sturdy and durable, usually more expensive. Paperback: Cheaper, lighter, and more portable than hardcovers. E-books: Digital books available for e-readers like Kindle or software like Apple Books, Kindle, and Google Play Books.
3. How do I choose a Workshop Manual Mitsubishi L300 Manual Transmission book to read? Genres: Consider the genre you enjoy (fiction, non-fiction, mystery, sci-fi, etc.). Recommendations: Ask friends, join book clubs, or explore online reviews and recommendations. Author: If you like a particular author, you might enjoy more of their work.
4. How do I take care of Workshop Manual Mitsubishi L300 Manual Transmission books? Storage: Keep them away from direct sunlight and in a dry environment. Handling: Avoid folding pages, use bookmarks, and handle them with clean hands. Cleaning: Gently dust the covers and pages occasionally.
5. Can I borrow books without buying them? Public Libraries: Local libraries offer a wide range of books for borrowing. Book Swaps: Community book exchanges or online platforms where people exchange books.
6. How can I track my reading progress or manage my book collection? Book Tracking Apps: Goodreads, LibraryThing, and Book Catalogue are popular apps for tracking your reading progress and managing book collections. Spreadsheets:

You can create your own spreadsheet to track books read, ratings, and other details.

7. What are Workshop Manual Mitsubishi L300 Manual Transmission audiobooks, and where can I find them?  
Audiobooks: Audio recordings of books, perfect for listening while commuting or multitasking. Platforms: Audible, LibriVox, and Google Play Books offer a wide selection of audiobooks.
8. How do I support authors or the book industry? Buy Books: Purchase books from authors or independent bookstores. Reviews: Leave reviews on platforms like Goodreads or Amazon. Promotion: Share your favorite books on social media or recommend them to friends.
9. Are there book clubs or reading communities I can join? Local Clubs: Check for local book clubs in libraries or community centers. Online Communities: Platforms like Goodreads have virtual book clubs and discussion groups.
10. Can I read Workshop Manual Mitsubishi L300 Manual Transmission books for free? Public Domain Books: Many classic books are available for free as they're in the public domain. Free E-books: Some websites offer free e-books legally, like Project Gutenberg or Open Library.

### **Find Workshop Manual Mitsubishi L300 Manual Transmission :**

[un final perfecto spanish edition](#)

[ultimate x men ultimate collection vol 3](#)

[understanding boat batteries and battery charging](#)

[under an equatorial sky](#)

**unchosen nan gilbert**

[ukrainian for speakers of english oral exercises introductory and intermediate levels](#)

[ultimate guide animal tattoos everything](#)

**un arbol crece en brooklyn**

[umra guide in malayalam](#)

**understanding advanced physical inorganic chemistry the learners approach**

**ultrastat by honeywell manual**

**uncanny networks dialogues with the virtual intelligentsia leonardo book series**

**unconscious memory samuel butler**

**under in and outside the box teaching all of the children**

[una pasion rusa premio de novela historica alfonso x el sabio 2015](#)



**Workshop Manual Mitsubishi L300 Manual Transmission :**

**tera gear bbq instruction menu 2022 dev clearwatersystems** - Apr 23 2022

web 4 tera gear bbq instruction menu 2022 01 19 to wow recipes from every corner of the globe welcome to planet barbecue the book that will take america s passionate obsessive smoke crazed live fire cooks to the next level planet barbecue with full color photographs throughout is an unprecedented marriage of food and culture here for

**tera gear bbq instruction menu 2022 duckhunter chevignon com** - Aug 28 2022

web tera gear bbq instruction menu downloaded from duckhunter chevignon com co by guest porter cowan robot building for beginners legare street press specifically designed as an introduction to the exciting world of engineering engineering fundamentals an introduction to engineering encourages students to become engineers

tera gear gsf2818a manual pdf download manualslib - Sep 09 2023

web view and download tera gear gsf2818a manual online ter 75k btu 4 1 1 pro gas grill gsf2818a grill pdf manual download

**tera gear bbq instruction menu pdf solutions milnerbrowne** - Jul 07 2023

web tera gear bbq instruction menu downloaded from solutions milnerbrowne com by guest evan reina zen and the art of motorcycle maintenance taylor francis this book is the first comprehensive monograph dedicated to chakali a southwestern grusi language spoken by less than 3500 people in northwest ghana the dictionary offers a consistent

**manuals teragear bbq instructions** - Aug 08 2023

web manuals teragear bbq instructions manuals select and click to download a pdf for your barbecue use care assembly manual 13 03 3007tg propane bbq 13 03 3008tg natural gas bbq portable document format pdf documents can be read with adobe reader software

tera gear bbq instruction menu secure4 khronos - May 05 2023

web may 23 2023 tera gear bbq instruction menu gss3220a tera gear bbq parts and bbq accessories tera v burger 57 photos amp 124 reviews vegetarian tera gear grill barbecue parts reliable parts gsf2616ac tera gear bbq parts and bbq accessories terra gear barbecue manual daily books putting together a tera gear duke 25

**tera gear grill manuals all guides** - Oct 10 2023

web tera gear grill gsf2616ac tera gear grill assembly instructions operations manual 18 pages download manuals user guides for 17 devices offered by tera gear in grill devices category choose one of the enlisted appliances to see

**tera gear grill parts free shipping on parts** - Feb 19 2022

web replacement bbq parts for tera gear outdoor gas grills burners ignition components cooking grids lava rock we have it all get free shipping to the usa on orders 49 and over

tera gear bbq instruction menu pdf retailer bonide - Jul 27 2022

web tera gear bbq instruction menu 1 tera gear bbq instruction menu conversational latin for oral proficiency robot building for beginners third edition the art journal the future is an ancient lake robot building for beginners electrical installation work intermediate robot building evidence based podiatry the long run barbecue bible bats

[tera gear gas grill replacement parts thebbqdepot](#) - Oct 30 2022

web 16 11 16 x 1 stainless burner tera gear 41 37 71 15 7 8 x 39 1 2 bbq tek and tera gear cast iron cooking grates 63064 124 95 112 46 shop grill replacement parts the bbq depot has burners cooking grids grates igniters knobs covers and more get free shipping over 99

*tera gear bbq instruction menu secure4 khronos* - Jan 01 2023

web jun 26 2023 the tera gear bbq instruction menu it is totally basic then at present we extend the associate to buy and create bargains to retrieve and install tera gear bbq instruction menu therefore easy

**tera gear bbq instruction menu secure4 khronos** - Nov 30 2022

web jun 17 2023 you could speedily fetch this tera gear bbq instruction menu after securing special you could buy tutorial tera gear bbq instruction menu or get it as soon as viable

**tera gear bbq instruction menu pdf uniport edu** - Sep 28 2022

web mar 15 2023 tera gear bbq instruction menu 1 9 downloaded from uniport edu ng on march 15 2023 by guest tera gear bbq instruction menu as recognized adventure as with ease as experience nearly lesson amusement as well as arrangement can be gotten by just checking out a books tera gear bbq instruction menu

*welcome teragear bbq instructions* - Apr 04 2023

web welcome to bbqinstructions com this site is setup to provide assistance to you for assembling your new teragear barbecue as well as offer cooking tips and cautions when using your barbecue

[tera gear pc22b manual pdf download manualslib](#) - Jun 06 2023

web view and download tera gear pc22b manual online ter 23in classic charcoal grill pc22b grill pdf manual download

**tera gear grill parts see all 32 models appliance factory parts** - Feb 02 2023

web select your model from 32 tera gear bbqs and gas grills parts lists diagrams owners manuals and photos available to help find your replacement parts 1 500 google reviews search view cart all brands blog account menu bbqs gas grills humidifiers air conditioners all 32 appliances contact secure

**tera gear bbq instruction menu implantes odontocompany com** - May 25 2022

web tera gear bbq instruction menu 3 3 include myth bring meat to room temperature before cooking busted cold meat attracts smoke better myth soak wood before using it busted soaking produces smoke that doesn t taste as good as dry fast burning wood myth bone in steaks taste better busted the calcium walls of bone have no

[tera gear bbq instruction menu haysomattorneys com](#) - Mar 23 2022

web 4 tera gear bbq instruction menu 2021 05 18 by scholars as being culturally important and is part of the knowledge base of civilization as we know it this work is in the public domain in the united states of america and possibly other nations within the united states you may freely copy and distribute this work as no entity individual or

[tera gear bbq instruction menu copy video paydayhcm](#) - Jun 25 2022

web tera gear bbq instruction menu how to light a propane gas grill putting together a tera gear duke 25 000 btu gas pro 2 burner grill bbq meco s americana walk a bout how to set up fold beginners guide to using a charcoal grill the best japanese knives for your kitchen gear heads master chef portable 14 charcoal

**tera gear grill parts select from 32 models appliance** - Mar 03 2023

web menu bbqs gas grills humidifiers air conditioners all 32 appliances contact secure site home bbqs and gas grills tera gear tera gear bbq and gas grill parts it couldn t be easier select your model and see a list of popular tera gear models click your model to find parts owner s manuals diagrams and more

[jira service desk basics english edition by rynder klomp](#) - Jan 29 2022

web the customer interaction of your jira service desk make customized customer notifications and service level agreements work with jira service desk automation design custom jira service desk reports applicable for jira service desk versions 3 16 to at least 4 2

[jira service management help desk atlassian](#) - Sep 05 2022

web help desk software for every team it s easy for every team from it to hr to legal to set up and tailor their help desks to meet their specific needs try jira service management for free

[jira service desk review techradar](#) - Jul 03 2022

web sep 18 2020 techradar verdict simple to deploy and highly customisable solution but without extra product licensing it lacks a knowledge base full security or an asset register those that don t embrace

[jira service desk basics kindle edition amazon com](#) - Jun 14 2023

web jul 23 2019 in this book you will create your first jira service desk take an in depth tour of all elements and settings of jira service desk make customized customer request types e g printer support order status support product returns support etc optimize and customize the customer interaction of your jira service desk make customized

[jira service desk a complete guide 2021 edition amazon com](#) - May 13 2023

web jan 4 2021 jira service desk a complete guide 2021 edition the art of service jira service desk publishing 9781867415800 amazon com books books

**why your it helpdesk needs jira service desk crgroup blog** - May 01 2022

web jira service desk can help take your it helpdesk to the next level here are the top 10 ways that jira service desk will help your it helpdesk to exceed expectations download the top 10 reasons pdf 1 simple ui enables early user adoption the first reason that your it helpdesk needs jira service desk is early user adoption jira service desk offers a [solved user guide documentation for jira service desk 202](#) - Nov 07 2022

web solved hi atlassian is there any chance to find a user guide in pdf format for the latest service desk version products groups create ask the community ask a question get answers to your question from experts in the community user guide documentation for jira service desk 2020 user guide documentation for jira service desk 2020

**jira service desk basics english edition pdf uniport edu** - Mar 31 2022

web mar 13 2023 jira service desk basics english edition 1 16 downloaded from uniport edu ng on march 13 2023 by guest jira service desk basics english edition as recognized adventure as with ease as experience just about lesson amusement as skillfully as concurrence can be gotten by just checking out a ebook jira service desk

[what is jira service management atlassian support](#) - Oct 06 2022

web jira service management makes it easier to categorize service requests incidents problems and changes by organizing and prioritizing these requests in a single place and keeps your team on track with goals or service level agreements *a brief overview of jira service management atlassian* - Feb 10 2023

web jira service desk was created in 2013 after we noticed that nearly 40 of our customers had adapted jira to handle service requests in 2020 we introduced jira service management to further empower development it operations and business teams to deliver exceptional service experiences

*jira service desk basics english edition kindle ausgabe amazon de* - Dec 08 2022

web jira service desk basics english edition ebook klomp rynder amazon de kindle shop

*jira service desk basics english edition pdf michael hartl 2023* - Feb 27 2022

web mar 20 2023 extend jira capabilities book description this new and improved sixth edition comes with the latest jira 8 21 data center offerings with enhanced features such as clustering advanced roadmaps custom field optimization and tools to track and manage tasks for your projects this comprehensive guide to jira 8 20 x lts version provides

**jira service desk it service desk itsm software atlassian** - Apr 12 2023

web we created jira service desk in 2013 after we noticed that nearly 40 of our customers had adapted jira to handle service requests thousands of teams managed requests through service desks reduced manual effort and set up workflows across their organizations in departments like hr and legal

**getting started with jira service management jira service management** - Aug 16 2023

web learn about jira service management s different user types and roles get a brief introduction to how your customers raise

requests and learn what those requests look like for agents when you're ready pick a tutorial and learn how to make your service desk work better for your team and your customers

**jira service desk basics english edition by rynder klomp** - Dec 28 2021

web jun 17 2023 jira service desk basics english edition by rynder klomp jira software brings the power of agile methodology to atlassian jira this second edition of jira agile essentials will help you dive straight into the action exploring critical

[jira service desk basics english edition by rynder klomp](#) - Jun 02 2022

web jira service desk basics english edition by rynder klomp third edition demonstrates how to efficiently work with jira core and jira service desk the book starts with a variety of recipes to help you manage users and workflows how to monitor project details on a

**jira s service desk how to improve customer satisfaction** - Aug 04 2022

web aug 17 2020 2 organized queues jira service desk is an excellent tool that allows you to view all client requests in one place the queues section even if they have different statuses it has a variety of default types under queues that can be used to segregate issues based on status or information example you can view all tasks that are unassigned

**a quick overview of jira service desk atlassian documentation** - Mar 11 2023

web sep 8 2014 jira service desk provides a few request types that are configured for basic it help desk scenarios here's a high level look at how you might set up a new request type for customers to request access to your wi fi network

**jira service desk 4 small business and beyond udemy** - Jan 09 2023

web in this course you are going to learn how to setup configure and use a jira service desk mastering basic knowledge about jira service desk you'll be able to create and adapt your service desk or help desk needs in other words your first support line

[jira service desk basics english edition by rynder klomp](#) - Jul 15 2023

web jira service desk basics is your step by step guide to jira service desk the world's best service desk software written by the world's number one selling jira author a service desk is an area or department that an organization sets up to be a single point of contact the customer can use to get help

**asian arts and crafts for creative kids tea ceremony explore** - Jun 01 2022

web the asian arts crafts for creative kids series is the first series aimed at readers ages 7-12 that provides a fun and educational introduction to asian culture and art through hands-on projects readers will explore each art engaging in activities to gain a better understanding of each form

**tea ceremony asian arts and crafts for creative kids** - May 12 2023

web aug 7 2012 the asian arts crafts for creative kids series is the first series aimed at readers ages 7-12 that provides a fun

and educational introduction to asian culture and art through hands on projects readers will explore each art engaging in activities to gain a better understanding of each form

[tea ceremony asian arts and crafts for creative kids](#) - Jul 02 2022

web jun 14 2018 amazon [tea ceremony asian arts and crafts for creative kids](#) amazon sato shozo

**tea ceremony asian arts and crafts for creative kids english** - Apr 30 2022

web achetez et téléchargez ebook tea ceremony asian arts and crafts for creative kids english edition boutique kindle social science amazon fr

**tea ceremony asian arts crafts for creative kids series** - Mar 10 2023

web tea ceremony asian arts crafts for creative kids series explore the unique japanese tradition of sharing tea asian arts and crafts for creative kids shozo sato amazon co uk books

**tea ceremony asian arts and crafts for creative kids google** - Apr 11 2023

web tea ceremony explore the unique japanese tradition of sharing tea is an exciting and fun way to introduce asian culture to kids readers will learn all the steps for performing a traditional

*tea ceremony explore the unique japanese tradition of sharing tea* - Jul 14 2023

web tea ceremony explore the unique japanese tradition of sharing tea asian arts and crafts for creative kids shozo sato amazon com tr

*tea ceremony asian arts and crafts for creative kids google* - Jun 13 2023

web tea ceremony asian arts and crafts for creative kids ebook written by shozo sato read this book using google play books app on your pc android ios devices download for offline

**tea ceremony asian arts and crafts for creative k db udrive** - Feb 26 2022

web tea ceremony asian arts and crafts for creative k is available in our book collection an online access to it is set as public so you can get it instantly our digital library spans in multiple locations allowing you to get the most less

**tea ceremony asian arts and crafts for creative kids** - Feb 09 2023

web the asian arts crafts for creative kids series is the first series aimed at readers ages 7 12 that provides a fun and educational introduction to asian culture and art through hands on projects readers will explore each art engaging in activities to gain a better understanding of each form

**tea ceremony asian arts and crafts for creative kids series** - Dec 07 2022

web aug 22 2017 know the proper technique for whipping tea and the different kinds of tea used the asian arts crafts for creative kids series is the first series aimed at readers ages 7 12 that provides a fun and educational introduction to asian

culture and art through hands on projects readers will explore each art engaging in activities to gain

**tea ceremony asian arts and crafts for creative kids english edition** - Aug 03 2022

web aug 7 2012 the asian arts crafts for creative kids series is the first series aimed at readers ages 7 12 that provides a fun and educational introduction to asian culture and art through hands on projects readers will explore each art engaging in activities to gain a better understanding of each form

*tea ceremony explore the unique japanese tradition of sharing tea* - Jan 28 2022

web dec 20 2021 tea ceremony explore the unique japanese tradition of sharing tea asian arts and crafts for creative kids shozo sato

tea ceremony asian arts and crafts for creative kids pdf - Aug 15 2023

web with this book kids will be able to perform the traditional japanese tea ceremony at home through easy to follow instructions explore all the elements of an authentic japanese tea ceremony including the tea utensils such as the scoop whisk bowl and fukasa silk cloth used for cleaning utensils know the proper technique for whipping tea

tea ceremony asian arts and crafts for creative kids - Jan 08 2023

web abebooks com tea ceremony asian arts and crafts for creative kids 9780804835008 by sato shozo and a great selection of similar new used and collectible books available now at great prices tea ceremony asian arts and crafts for creative kids sato shozo 9780804835008 abebooks

tea ceremony asian arts and crafts for creative k pdf monograf - Mar 30 2022

web tea ceremony asian arts and crafts for creative k 1 tea ceremony asian arts and crafts for creative k this is likewise one of the factors by obtaining the soft documents of this tea ceremony asian arts and crafts for creative k by online you might not require more era to spend to go to the book commencement as competently as search for them

**tea ceremony on apple books** - Nov 06 2022

web tea ceremony explore the unique japanese tradition of sharing tea is an exciting and fun way to introduce asian culture to kids readers will learn all the steps for performing a traditional japanese tea ceremony

**tea ceremony asian arts and crafts for creative kids** - Sep 04 2022

web with this book kids will be able to perform the traditional japanese tea ceremony at home through easy to follow instructions explore all the elements of an authentic japanese tea ceremony including the tea utensils such as the scoop whisk bowl and fukasa silk cloth used for cleaning utensils know the proper technique for whipping tea

*tea ceremony kimchi making klook* - Dec 27 2021

web begin by attending a tea ceremony where your friendly guide will explain the etiquette which has recently enjoyed a revival in modern society afterwards try on a colorful hanbok the traditional korean clothing dating from the joseon period

and take the opportunity to pose for a photo say kimchi next get stuck in to your kimchi

tea ceremony asian arts and crafts for creative kids ebook - Oct 05 2022

web the asian arts crafts for creative kids series is the first series aimed at readers ages 7 12 that provides a fun and educational introduction to asian culture and art through hands on projects readers will explore each art engaging in activities to gain a better understanding of each form