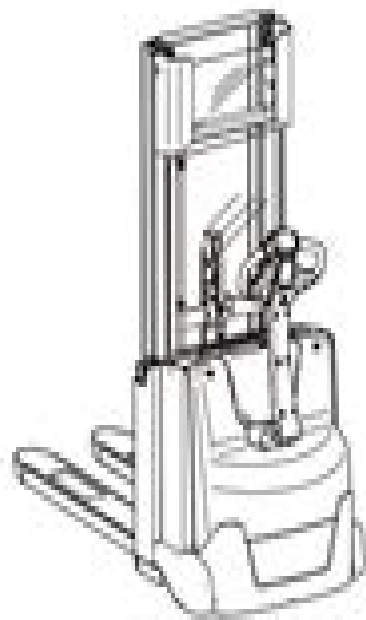
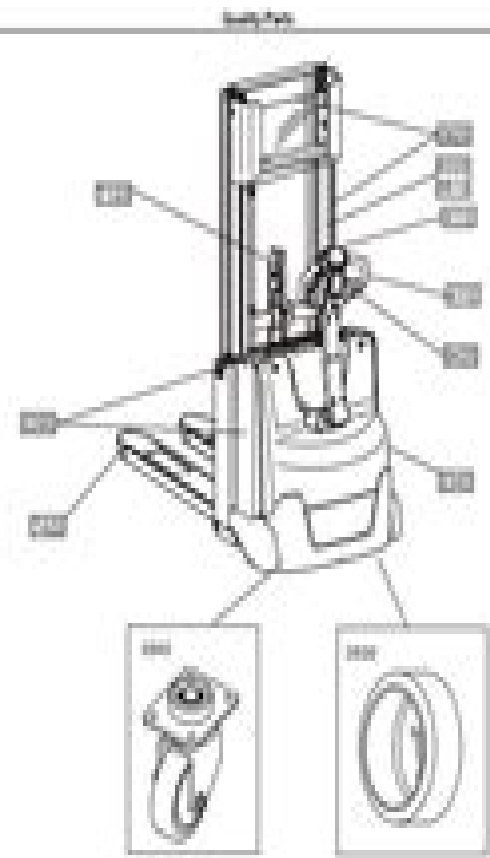


- 0000 Chassis
- 0100 Chassis, Chassis, Chassis
- 1000 Motor
- 1100 Motor, Motor, Motor
- 2000 Transmission/Drive gear
- 2100 Kraftverteilung/Drive shaft
- 3000 Brake/Wheel/Caster/wheel
- 3100 Brake/Wheel/Caster/wheel
- 4000 Steering system
- 4100 Steering, Steer, Lenkwheel
- 5000 Electrical system
- 5100 Electrical system, Deckverriegelung
- 6000 Hydraulic/pneumatic system
- 6100 Hydraulic/pneumatic, hydraulik
- 7000 Fork function - ifrig parts
- 7100 Arbeitsfunktion - ifrig parts
- 8000 Options/attachments
- 8100 Tiltschichtaufbauung, Zubehör
- 0340-00701 P002942
- 0340-00701 Inspection covers (2)
- 0340-00700 P002111
- 0340-00700 Inspection covers (2)
- 0340-00700 P002490
- 0340-00700 Inspection covers (2)
- 0340-00700 P0023001
- 0340-00700 P0023002
- 0340-00700 P0023004
- 0340-00485 Battery compartment
- 0340-00486 P0023025
- 0340-00486 Battery compartment
- 0340-00572 P002490A
- 0340-00572 Battery compartment
- 0340-00573 P002490B
- 0340-00573 Battery compartment
- 0340-00574 P002490C
- 0340-00574 Battery compartment
- 0340-00574 P0023024
- 0340-00574 Battery compartment



### Quality Parts

0340-00701  
 Part no. machine number: \_\_\_\_\_  
 Qty. sub to machine number:            
 Drawing number: 0340-00701  
 Size: 0340-00701  
 Language: de



# Toyota Staxio Manual Service

**Toyota Jidōsha Kabushiki Kaisha.  
Overseas Service Department**

## **Toyota Staxio Manual Service:**

*Toyota Pickup Truck Service Manual*, 1982      **Toyota Pickup Truck** Robert Bentley Publishers, 1986-07-01

Instruction Manual for Basic Service Techniques Toyota Jidōsha Kabushiki Kaisha, 1982      **Toyota Pick-Up Truck and 4-Runner, 1978-1987** Robert Bentley, 1987-07-01      Toyota W-50 5-speed Manual Transmission Repair Manual Toyota Jidōsha Hanbai Kabushiki Kaisha. Service Training Department, 1974      Toyota Corona Repair Manual for Chassis & Body Toyota Jidōsha Kabushiki Kaisha. Overseas Service Department, 1984      **Toyota Truck 1990 Service Manual**, 1989

**Toyota Carina E Service and Repair Manual** John S. Mead, A. K. Legg, 2012-09-01 This is one in a series of manuals for car or motorcycle owners Each book provides information on routine maintenance and servicing with tasks described and photographed in a step by step sequence so that even a novice can do the work      *D. I. Y. Service Manual: Toyota Hi-Ace* Erwin Von Kloeg, 1995-06-01      *Toyota Service, Repair Manual*, 1972      **Toyota Corolla Service Manual, 1980, 1981, 1982, 1983**, 1983 The Toyota Truck Land Cruiser Owner s Bible TM is the authoritative companion book for your Toyota truck whether it s a heavy hauling pickup rugged off road FJ40 or a new Land Cruiser that s never left pavement Author veteran truck mechanic and off road expert Moses Ludel has written the only comprehensive source of information for Toyota Trucks and Land Cruisers a history buyer s guide service manual and high performance tuning book all in one Discover every aspect of Toyota trucks from their origins in 1958 to the latest technological advances You ll learn tips for buying the right new or used truck and which accessories make sense for your needs Step by step procedures with hundreds of photos cover basic maintenance and more complicated work like tune ups valve adjustments brake jobs and installing aftermarket suspension lift kits Get the hot set up for your truck whether you want low end torque or high RPM power Moses gives specific tuning recommendations for engines from the early inline 6s to the advanced 4 5L 24 valve DJ engine He shares expert insights into the best high performance components and the latest technology from Toyota Racing Development You ll also find suspension and chassis modifications and the best tire and wheel combinations      *Toyota Aygo Service and Repair Manual* Peter T Gill, 2014-06 This is one in a series of manuals for car or motorcycle owners Each book provides information on routine maintenance and servicing with tasks described and photographed in a step by step sequence so that even a novice can do the work      Toyota Avensis Owners Workshop Manual John S. Mead, 2006 Hatchback Saloon Estate Does NOT cover Verso or new range introduced January 2003 Petrol 1 6 litre 1587cc 1598cc 1 8 litre 1762cc 1794cc 2 0 litre 1998cc

**Toyota 2A-C, 4A-C, 4A-GE Engine** Toyota Jidōsha Kabushiki Kaisha, 1985      Toyota Engine Emission Control Repair Manual Toyota Jidōsha Kabushiki Kaisha. Overseas Service Department, 1983      Toyota Repair Manual Toyota Jidosha Hanbai Kabushiki Kaisha. Service Division, Toyota Motor Sales Co., Ltd, 1963      Toyota Car Radio Service Manual Toyota Jidōsha Hanbai Kabushiki Kaisha, 1969      *Toyota Model 505* Australian Motor Industries Ltd. National Service sion, 198?

Toyota Prius Bentley Publishers, 2008 This Bentley Manual contains the essential information and know how you need to

take the mystery out of servicing the Toyota Prius with Hybrid Synergy Drive. You'll find everything from full color technical training step by step directions on safely disabling the high voltage system to dozens of real world practical repair and maintenance procedures. Features: Written for both experienced professionals and do it yourself owners this book removes the mystery and explains the technology behind the Toyota Prius in an easy and understandable style. Advanced technological features described: High voltage power inverter hybrid motor generators electric air conditioning compressor electric power steering continuously variable transmission regenerative brakes and more. Maintenance procedures from changing the oil to replacing the cabin air filter. This manual tells you what to do and how and when to do it. Cylinder head cover gasket replacement. Cooling system and radiator service. Detailed instructions for checking filling and bleeding engine and transaxle inverter coolant. Fuel injection and ignition system diagnostics. Suspension repair procedures including strut replacement. Brakes and steering troubleshooting and repair. Door window bumper and seat service and repairs. Electrical system service with an illustrated component locator section. Comprehensive wiring schematics including power distribution and grounds. Toyota OBD II diagnostic trouble codes SAE defined OBD II P codes as well as scan tool operation. Toyota Emergency Responder Guide. **Chilton's Toyota/Lexus Repair Manual 1988-1992** Kerry A. Freeman, 1992. Provides step by step instructions.

Thank you certainly much for downloading **Toyota Staxio Manual Service**. Maybe you have knowledge that, people have look numerous period for their favorite books like this Toyota Staxio Manual Service, but stop taking place in harmful downloads.

Rather than enjoying a fine ebook next a cup of coffee in the afternoon, then again they juggled considering some harmful virus inside their computer. **Toyota Staxio Manual Service** is easily reached in our digital library an online right of entry to it is set as public correspondingly you can download it instantly. Our digital library saves in multipart countries, allowing you to acquire the most less latency times to download any of our books following this one. Merely said, the Toyota Staxio Manual Service is universally compatible afterward any devices to read.

<https://ftp.barnabastoday.com/files/book-search/HomePages/the%20technique%20and%20practice%20of%20psychoanalysis%20volume%201.pdf>

## **Table of Contents Toyota Staxio Manual Service**

1. Understanding the eBook Toyota Staxio Manual Service
  - The Rise of Digital Reading Toyota Staxio Manual Service
  - Advantages of eBooks Over Traditional Books
2. Identifying Toyota Staxio Manual Service
  - Exploring Different Genres
  - Considering Fiction vs. Non-Fiction
  - Determining Your Reading Goals
3. Choosing the Right eBook Platform
  - Popular eBook Platforms
  - Features to Look for in an Toyota Staxio Manual Service
  - User-Friendly Interface
4. Exploring eBook Recommendations from Toyota Staxio Manual Service
  - Personalized Recommendations

- Toyota Staxio Manual Service User Reviews and Ratings
- Toyota Staxio Manual Service and Bestseller Lists
- 5. Accessing Toyota Staxio Manual Service Free and Paid eBooks
  - Toyota Staxio Manual Service Public Domain eBooks
  - Toyota Staxio Manual Service eBook Subscription Services
  - Toyota Staxio Manual Service Budget-Friendly Options
- 6. Navigating Toyota Staxio Manual Service eBook Formats
  - ePub, PDF, MOBI, and More
  - Toyota Staxio Manual Service Compatibility with Devices
  - Toyota Staxio Manual Service Enhanced eBook Features
- 7. Enhancing Your Reading Experience
  - Adjustable Fonts and Text Sizes of Toyota Staxio Manual Service
  - Highlighting and Note-Taking Toyota Staxio Manual Service
  - Interactive Elements Toyota Staxio Manual Service
- 8. Staying Engaged with Toyota Staxio Manual Service
  - Joining Online Reading Communities
  - Participating in Virtual Book Clubs
  - Following Authors and Publishers Toyota Staxio Manual Service
- 9. Balancing eBooks and Physical Books Toyota Staxio Manual Service
  - Benefits of a Digital Library
  - Creating a Diverse Reading Collection Toyota Staxio Manual Service
- 10. Overcoming Reading Challenges
  - Dealing with Digital Eye Strain
  - Minimizing Distractions
  - Managing Screen Time
- 11. Cultivating a Reading Routine Toyota Staxio Manual Service
  - Setting Reading Goals Toyota Staxio Manual Service
  - Carving Out Dedicated Reading Time
- 12. Sourcing Reliable Information of Toyota Staxio Manual Service
  - Fact-Checking eBook Content of Toyota Staxio Manual Service

- Distinguishing Credible Sources
- 13. Promoting Lifelong Learning
  - Utilizing eBooks for Skill Development
  - Exploring Educational eBooks
- 14. Embracing eBook Trends
  - Integration of Multimedia Elements
  - Interactive and Gamified eBooks

### **Toyota Staxio Manual Service Introduction**

In today's digital age, the availability of Toyota Staxio Manual Service books and manuals for download has revolutionized the way we access information. Gone are the days of physically flipping through pages and carrying heavy textbooks or manuals. With just a few clicks, we can now access a wealth of knowledge from the comfort of our own homes or on the go. This article will explore the advantages of Toyota Staxio Manual Service books and manuals for download, along with some popular platforms that offer these resources. One of the significant advantages of Toyota Staxio Manual Service books and manuals for download is the cost-saving aspect. Traditional books and manuals can be costly, especially if you need to purchase several of them for educational or professional purposes. By accessing Toyota Staxio Manual Service versions, you eliminate the need to spend money on physical copies. This not only saves you money but also reduces the environmental impact associated with book production and transportation. Furthermore, Toyota Staxio Manual Service books and manuals for download are incredibly convenient. With just a computer or smartphone and an internet connection, you can access a vast library of resources on any subject imaginable. Whether you're a student looking for textbooks, a professional seeking industry-specific manuals, or someone interested in self-improvement, these digital resources provide an efficient and accessible means of acquiring knowledge. Moreover, PDF books and manuals offer a range of benefits compared to other digital formats. PDF files are designed to retain their formatting regardless of the device used to open them. This ensures that the content appears exactly as intended by the author, with no loss of formatting or missing graphics. Additionally, PDF files can be easily annotated, bookmarked, and searched for specific terms, making them highly practical for studying or referencing. When it comes to accessing Toyota Staxio Manual Service books and manuals, several platforms offer an extensive collection of resources. One such platform is Project Gutenberg, a nonprofit organization that provides over 60,000 free eBooks. These books are primarily in the public domain, meaning they can be freely distributed and downloaded. Project Gutenberg offers a wide range of classic literature, making it an excellent resource for literature enthusiasts. Another popular platform for Toyota Staxio Manual Service books and manuals is Open Library. Open Library is an initiative of the

Internet Archive, a non-profit organization dedicated to digitizing cultural artifacts and making them accessible to the public. Open Library hosts millions of books, including both public domain works and contemporary titles. It also allows users to borrow digital copies of certain books for a limited period, similar to a library lending system. Additionally, many universities and educational institutions have their own digital libraries that provide free access to PDF books and manuals. These libraries often offer academic texts, research papers, and technical manuals, making them invaluable resources for students and researchers. Some notable examples include MIT OpenCourseWare, which offers free access to course materials from the Massachusetts Institute of Technology, and the Digital Public Library of America, which provides a vast collection of digitized books and historical documents. In conclusion, Toyota Staxio Manual Service books and manuals for download have transformed the way we access information. They provide a cost-effective and convenient means of acquiring knowledge, offering the ability to access a vast library of resources at our fingertips. With platforms like Project Gutenberg, Open Library, and various digital libraries offered by educational institutions, we have access to an ever-expanding collection of books and manuals. Whether for educational, professional, or personal purposes, these digital resources serve as valuable tools for continuous learning and self-improvement. So why not take advantage of the vast world of Toyota Staxio Manual Service books and manuals for download and embark on your journey of knowledge?

### **FAQs About Toyota Staxio Manual Service Books**

How do I know which eBook platform is the best for me? Finding the best eBook platform depends on your reading preferences and device compatibility. Research different platforms, read user reviews, and explore their features before making a choice. Are free eBooks of good quality? Yes, many reputable platforms offer high-quality free eBooks, including classics and public domain works. However, make sure to verify the source to ensure the eBook credibility. Can I read eBooks without an eReader? Absolutely! Most eBook platforms offer web-based readers or mobile apps that allow you to read eBooks on your computer, tablet, or smartphone. How do I avoid digital eye strain while reading eBooks? To prevent digital eye strain, take regular breaks, adjust the font size and background color, and ensure proper lighting while reading eBooks. What the advantage of interactive eBooks? Interactive eBooks incorporate multimedia elements, quizzes, and activities, enhancing the reader engagement and providing a more immersive learning experience. Toyota Staxio Manual Service is one of the best book in our library for free trial. We provide copy of Toyota Staxio Manual Service in digital format, so the resources that you find are reliable. There are also many Ebooks of related with Toyota Staxio Manual Service. Where to download Toyota Staxio Manual Service online for free? Are you looking for Toyota Staxio Manual Service PDF? This is definitely going to save you time and cash in something you should think about.



**Find Toyota Staxio Manual Service :**

**the technique and practice of psychoanalysis volume 1**

*the stone angel phoenix fiction*

the story of a family the home of st therese of lisieux

the story of monasticism retrieving an ancient tradition for contemporary spirituality

*the spring of my life and selected haiku*

**the state of nonprofit america**

**the story of jules verne a watch pocket dog**

**the summer of good intentions a novel**

*the story of one super boov home*

**the stakes america and the middle east**

**the sociology of educational inequality rle edu 1**

*the structure of morale*

the spy catchers the official history of asio volume 1

**the spirit of the new thought**

**the stories we tell a novel**

**Toyota Staxio Manual Service :**

state of nevada security guard exam answers pdf - Oct 04 2022

web jul 21 2022 security guard test questions and answers nevada is home to a large amount of security companies which employ a large number of security guards

nevada pilb exam answers - Mar 09 2023

web pilb security guard exam answers myilibrary org nevada pilb security guard exam answers the board also licenses private patrol officers the board defines a private

**pilb guard card exam answers answers for 2023 exams** - Feb 08 2023

web security guard test questions and answers in 2022 guard card course answers flashcards quizlet security guard test questions and answer pdf guard card link

fillable online 64 140 159 state of nevada security guard exam - Feb 25 2022

web it is taking approximately 5 7 business days to receive the provisional email if you paid to expedite the process the email

will be sent in 2 3 business days if you need to have the

**security guard test questions and answers in 2022** - May 11 2023

web work card exam answer sheet state of nevada private investigators licensing board work card exam answer sheet score instructions

**how do i pass the nevada unarmed guard card test** - Jul 13 2023

web a person with an active work card is able to engage in the business of private investigator private patrol officer process server

work card e xam s tudy g uide securityofficerhq.com - Sep 22 2021

state of nevada work card study guide 2018 quizlet - Jun 12 2023

web sep 28 2022 answer c is the correct answer it contains common notification requirements the state wants to know where you live who you work for and if you have

*state of nevada security guard exam answers copy* - Apr 29 2022

web pass an exam with a score of 75 or better only for individual applicants and qualified agent applicants meet the experience education requirement apply for a license

**nevada guard card exam online examstalk net** - Sep 03 2022

web your exam answer sheet with your application unless you take the exam online on eht same website depending on the load of the licensing board it may take up to 10 days

*application nevada* - Jan 27 2022

web nevada security guard requirements armed security officer training requirements in nevada background check requirements private patrolman requirements and

*security guard training nevada security guard training usa* - Nov 24 2021

web state of nevada security guard exam answers 1 1 downloaded from online utsa edu on december 1 2022 by guest state of nevada security guard exam answers yeah

**state of nevada security guard exam answers pdf** - Nov 05 2022

web 2 state of nevada security guard exam answers 2021 06 01 proceedings and debates of the congress nevada test site nts and off site locations in the state of

**nevada security guard exam answer sheet iibr org** - Jan 07 2023

web 1 read the nevada guard card test study guide which provides an overview of the test and the types of questions you will be asked 2 take a practice test to determine which

**state of nevada security guard exam answers pdf** - May 31 2022

web state of nevada security guard exam answers decisions and orders of the national labor relations board directory of graduates of the fbi national academy and officers

*licensing nevada* - Mar 29 2022

web get the state of nevada security guard exam answers download free state of nevada security guard get form show details hide details your state or zip b code all over

**security guard training in nevada security guard training hq** - Aug 02 2022

web state of nevada security guard exam answers right here we have countless book state of nevada security guard exam answers and collections to check out we

**state of nevada security guard exam answers pdf wrbb neu** - Jul 01 2022

web dec 15 2022 state of nevada security guard exam answers 1 9 downloaded from verdaddigital com on by guest state of nevada security guard exam answers

*work card exam study guide nevada* - Aug 14 2023

web state of nevada private investigators licensing board 400 w king street suite 101 3110 s durango dr suite 203 should you have any questions on these or any instructions

*security guard license requirements in nevada* - Dec 26 2021

web the application fee as of feb 2011 was 135 00 the applicant will provide a valid photo id card like a nevada driver s license and a 2 x 2 passport photo in order to gain a

*online university in san antonio texas utsa online utsa* - Oct 24 2021

web revised 10 16 2015 page 2 do not write on this document 2 no person may engage in the business of private investigator private patrol

*work card exam answer sheet nevada* - Apr 10 2023

web jan 15 2023 security guard exam questions answers to nevada pilb links posted on 22 jan 2023 in this case the test gauges the guard s knowledge of the armed security

*how to edit nevada guard card test answers online pdfiller* - Dec 06 2022

web state of nevada security guard exam answers state of nevada security guard nevada security guard requirements become a security state defense force

**grpc up and running building cloud native applications with** - Jun 17 2023

web jan 23 2020 grpc up and running building cloud native applications with go and java for docker and kubernetes kindle edition by indrasiri kasun kuruppu danesh download it once and read it on your kindle device pc phones or tablets

**grpc up and running welcome to the resource repository of** - Jan 12 2023

web view the project on github grpc up and running samples welcome welcome to the resource repository of the book grpc up and running all the samples of this repository require to have the accompanying book grpc up and running each sample is based on a real world use case and details of the use case can be found in the respective

**grpc up and running building cloud native application** - Mar 14 2023

web get a comprehensive understanding of grpc fundamentals through real world examples with th grpc up and running building cloud native applications with go and java for docker and kubernetes by kasun indrasiri goodreads

grpc up and running building cloud native applications with - Jul 06 2022

web feb 18 2020 get a comprehensive understanding of grpc fundamentals through real world examples with this practical guide you ll learn how this high performance interprocess communication protocol is capable of connecting polyglot services in microservices architecture while providing a rich framework for defining service contracts

grpc up and running building cloud native applications with - Mar 02 2022

web grpc up and running building cloud native applications with go and java for docker and kubernetes softcover 3 59 avg rating 97 ratings by goodreads softcover isbn 10 1492058335 isbn 13 9781492058335 publisher o reilly media 2020 view all copies of this isbn edition synopsis about this title about this edition

grpc up and running building cloud native applications with - May 16 2023

web complete with hands on examples written in go java node and python this book also covers the essential techniques and best practices to use grpc in production systems authors kasun indrasiri and danesh kuruppu discuss the importance of grpc in the context of microservices development

*grpc up and running building cloud native applications with* - Sep 20 2023

web jan 23 2020 grpc up and running building cloud native applications with go and java for docker and kubernetes kasun indrasiri danesh kuruppu o reilly media inc jan 23 2020 computers 204

grpc up and running samples github - Oct 09 2022

web jul 17 2021 welcome to the resource repository of the book grpc up and running all the samples of this repository require to have the accompanying book grpc up and running each sample is based on a real world use case and details of the use case can be found in the respective chapter of the book

**grpc up and running building cloud native applications with** - May 04 2022

web get a comprehensive understanding of grpc fundamentals through real world examples with this practical guide you ll learn how this high performance interprocess communication protocol is capable of connecting polyglot services in microservices architecture while providing a rich framework for defining service contracts and data types complete with

**grpc up and running building cloud native applications with** - Jul 18 2023

web mar 3 2020 grpc up and running building cloud native applications with go and java for docker and kubernetes

indrasiri kasun kuruppu danesh 9781492058335 books amazon ca

*public preview support for grpc apis in azure api* - Jun 05 2022

web nov 13 2023 cloud native siem and intelligent security analytics build and run innovative hybrid apps across cloud boundaries azure expressroute experience a fast reliable and private connection to azure get up and running in the cloud with help from an experienced partner becoming a partner

download grpc up running building cloud native applications - Aug 07 2022

web title grpc up running building cloud native applications with go and java for docker and kubernetes author kasun indrasiri danesh kuruppu category

**introducing net aspire simplifying cloud native development** - Nov 10 2022

web nov 14 2023 net aspire is an opinionated stack for building resilient observable and configurable cloud native applications with net it includes a curated set of components enhanced for cloud native by including service discovery telemetry resilience and health checks by default

*grpc up and running building cloud native applications with* - Aug 19 2023

web grpc up and running building cloud native applications with go and java for docker and kubernetes indrasiri kasun kuruppu danesh amazon sg books

grpc up and running building cloud native applications with - Sep 08 2022

web grpc up and running building cloud native applications with go and java for docker and kubernetes ebook written by kasun indrasiri danesh kuruppu read this book using google play books app on your pc android ios devices

**grpc up and running building cloud native applications with** - Oct 21 2023

web mar 3 2020 grpc up and running building cloud native applications with go and java for docker and kubernetes 1st edition by kasun indrasiri author danesh kuruppu author 4 3 4 3 out of 5 stars 71 ratings

**1 introduction to grpc grpc up and running book o reilly** - Dec 11 2022

web the success of any inter process communication protocol is largely dependent on industry wide adoption and the user and developer community behind that project grpc has been widely adopted for building microservices and cloud native applications let s look at some of the key success stories of grpc

**a new book on grpc o reilly grpc up and running medium** - Apr 03 2022

web building cloud native applications with go and java for docker and kubernetes it s a great pleasure to announce the release of our new book grpc up and running

[grpc up and running building cloud native applications with](#) - Apr 15 2023

web get a comprehensive understanding of grpc fundamentals through real world examples with this practical guide you ll learn how this high performance interprocess communication protocol is capable of connecting polyglot services in microservices architecture while providing a rich framework for defining service contracts and data types

*grpc up and running building cloud native applications with* - Feb 13 2023

web grpc up and running building cloud native applications with go and java for docker and kubernetes authors kasun indrasiri author danesh kuruppu author summary get a comprehensive understanding of grpc fundamentals through real world examples

**nutrition 1322 nutrition your life science hcc** - Aug 23 2023

web access study documents get answers to your study questions and connect with real tutors for nutrition 1322 nutrition your life science at houston community college

**nutrition your life science assesment answers trade** - Mar 06 2022

web nutrition your life science assesment answers author blogs post gazette com 2023 10 08t00 00 00 00 01 subject nutrition your life science assesment answers

**nutrition your life science assesment answers download only** - Feb 17 2023

web merely said the nutrition your life science assesment answers is universally compatible in the same way as any devices to read nutrition your life science

[nutrition your life science assesment answers 2023](#) - Jul 10 2022

web nutrition your life science assesment answers book review unveiling the magic of language in an electronic era where connections and knowledge reign supreme the

**nutrition your life science assesment answers pittsburgh post** - Feb 05 2022

web 10 question quiz for webquest or practice print a copy of this quiz at the biology nutrition webquest print page about this quiz all the questions on this quiz are based

**nutrition your life science assesment answers pdf** - Nov 14 2022

web learn practical consumer based nutrition information using the features highlighted throughout the text including for your information boxes presenting controversial

*nutrition quiz with images questions and answers food struct* - Dec 03 2021

web nutrition your life science assesment answers complete program list all programs below are available to bring to your hospital icons to the left of the program title indicate

[nutrition your life science 1st edition turley test bank 1 pdf](#) - Sep 24 2023

web nutrition your life science 1st edition turley test bank 1 free download as pdf file pdf text file txt or read online for free test bank

**1 5 nutrition assessment principles of human nutrition** - Sep 12 2022

web nutrition assessment nutritional assessment is the interpretation of anthropometric biochemical laboratory clinical and dietary data to determine whether a person or

**nutrition your life science jennifer turley joan thompson** - Jul 22 2023

web apr 12 2013 using unique pedagogy nutrition your life science helps students master skills knowledge and competencies outlined in learning objectives at the

**science quiz biology nutrition ducksters** - Jan 04 2022

web nutrition quiz with images questions and answers the following nutrition quiz allows you to test your knowledge in quantity of specific nutrients in various foods you will be

*nutrition your life science ngl school catalog product* - Mar 18 2023

web nutrition your life science 2nd edition takes an integrated approach with a modular text and multiple layers of automatically graded assessment authors jennifer

*nutrition your life science download free pdf or buy books* - Apr 19 2023

web get instant access to pdf read books nutrition your life science assesment answers at our ebook document library 1 12 nutrition your life science assesment answers

*nutrition your life science assesment answers files climagic* - Jun 21 2023

web nutrition your life science assesment metabolism nutrition part 1 crash course a p 36 dr david diamond an assessment of cardiovascular risks of

[nutrition your life science assesment answers darelova](#) - Nov 02 2021

**nutrition your life science jennifer turley joan thompson** - May 20 2023

web jan 1 2015 nutrition your life science 2nd edition takes an integrated approach with a modular text and multiple layers of automatically graded assessment authors

**nutrition your life science 2nd edition amazon com** - Dec 15 2022

web jan 1 2015 your life science second edition helps you understand the fundamental principles of nutritional science turley thompson gives you a variety of options to

*nutrition 101 science of nutrition final exam study com* - Jan 16 2023

web nutrition 101 science of nutrition final exam free practice test instructions choose your answer to the question and click

continue to see how you did then click next

**free nutrition your life science assesment answers pdf pdf** - Jun 09 2022

web merely said the nutrition your life science assesment answers pdf pdf is universally compatible with any devices to read  
research methods in psychology paul g nestor

nutritional assessment statpearls ncbi bookshelf - Apr 07 2022

web not the thesame as a answer nutrition your life science assesment answers nutrition your life science assesment  
american government assessment

**nutrition your life science homework assessment answers** - Aug 11 2022

web uniqueid read online houghton mifflin english grade 7 answer key rtf uniqueid read smiths falls a social history of the  
men and women in a rideau

22 questions with answers in nutrition assessment - Oct 13 2022

web mar 4 2021 evaluation and measurement of nutritional variables in order to assess the level of nutrition or the  
nutritional status of the individual nutrition

*nutrition your life science assesment answers pdf pdf free* - May 08 2022

web as this nutrition your life science assesment answers pdf pdf it ends up subconscious one of the favored ebook nutrition  
your life science assesment answers pdf pdf