

Fig. 1

- 1. 200W
- 2. 200W
- 3. 200W
- 4. 200W
- 5. 200W
- 6. 200W
- 7. 200W
- 8. 200W
- 9. 200W
- 10. 200W

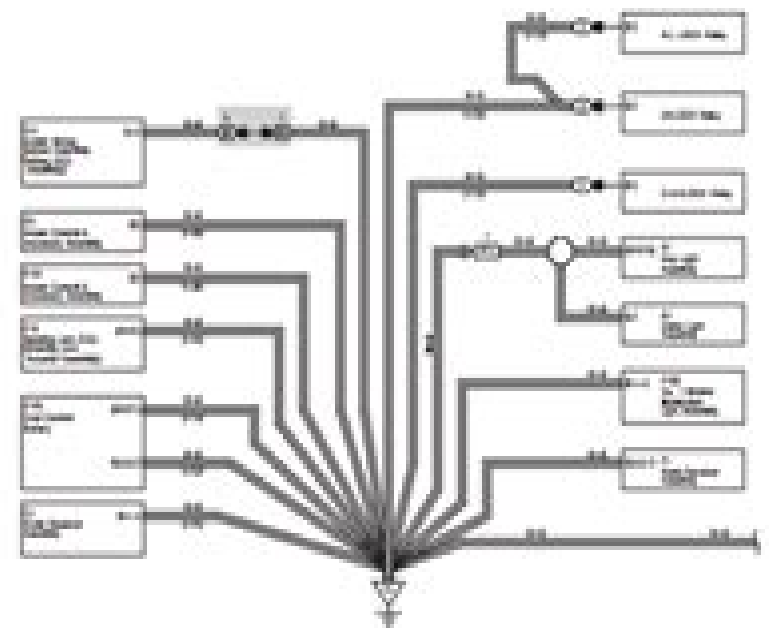


Fig. 2

Toyota Vios Electrical Wiring Diagram Manual

RS Peters



Toyota Vios Electrical Wiring Diagram Manual:

Immerse yourself in the artistry of words with Crafted by is expressive creation, Discover the Artistry of **Toyota Vios Electrical Wiring Diagram Manual** . This ebook, presented in a PDF format (*), is a masterpiece that goes beyond conventional storytelling. Indulge your senses in prose, poetry, and knowledge. Download now to let the beauty of literature and artistry envelop your mind in a unique and expressive way.

<https://ftp.barnabastoday.com/book/publication/fetch.php/White%20Backlash%20Immigration%20Race%20And%20American%20Politics.pdf>

Table of Contents Toyota Vios Electrical Wiring Diagram Manual

1. Understanding the eBook Toyota Vios Electrical Wiring Diagram Manual
 - The Rise of Digital Reading Toyota Vios Electrical Wiring Diagram Manual
 - Advantages of eBooks Over Traditional Books
2. Identifying Toyota Vios Electrical Wiring Diagram Manual
 - Exploring Different Genres
 - Considering Fiction vs. Non-Fiction
 - Determining Your Reading Goals
3. Choosing the Right eBook Platform
 - Popular eBook Platforms
 - Features to Look for in an Toyota Vios Electrical Wiring Diagram Manual
 - User-Friendly Interface
4. Exploring eBook Recommendations from Toyota Vios Electrical Wiring Diagram Manual
 - Personalized Recommendations
 - Toyota Vios Electrical Wiring Diagram Manual User Reviews and Ratings
 - Toyota Vios Electrical Wiring Diagram Manual and Bestseller Lists
5. Accessing Toyota Vios Electrical Wiring Diagram Manual Free and Paid eBooks
 - Toyota Vios Electrical Wiring Diagram Manual Public Domain eBooks
 - Toyota Vios Electrical Wiring Diagram Manual eBook Subscription Services

- Toyota Vios Electrical Wiring Diagram Manual Budget-Friendly Options
- 6. Navigating Toyota Vios Electrical Wiring Diagram Manual eBook Formats
 - ePub, PDF, MOBI, and More
 - Toyota Vios Electrical Wiring Diagram Manual Compatibility with Devices
 - Toyota Vios Electrical Wiring Diagram Manual Enhanced eBook Features
- 7. Enhancing Your Reading Experience
 - Adjustable Fonts and Text Sizes of Toyota Vios Electrical Wiring Diagram Manual
 - Highlighting and Note-Taking Toyota Vios Electrical Wiring Diagram Manual
 - Interactive Elements Toyota Vios Electrical Wiring Diagram Manual
- 8. Staying Engaged with Toyota Vios Electrical Wiring Diagram Manual
 - Joining Online Reading Communities
 - Participating in Virtual Book Clubs
 - Following Authors and Publishers Toyota Vios Electrical Wiring Diagram Manual
- 9. Balancing eBooks and Physical Books Toyota Vios Electrical Wiring Diagram Manual
 - Benefits of a Digital Library
 - Creating a Diverse Reading Collection Toyota Vios Electrical Wiring Diagram Manual
- 10. Overcoming Reading Challenges
 - Dealing with Digital Eye Strain
 - Minimizing Distractions
 - Managing Screen Time
- 11. Cultivating a Reading Routine Toyota Vios Electrical Wiring Diagram Manual
 - Setting Reading Goals Toyota Vios Electrical Wiring Diagram Manual
 - Carving Out Dedicated Reading Time
- 12. Sourcing Reliable Information of Toyota Vios Electrical Wiring Diagram Manual
 - Fact-Checking eBook Content of Toyota Vios Electrical Wiring Diagram Manual
 - Distinguishing Credible Sources
- 13. Promoting Lifelong Learning
 - Utilizing eBooks for Skill Development
 - Exploring Educational eBooks
- 14. Embracing eBook Trends

- Integration of Multimedia Elements
- Interactive and Gamified eBooks

Toyota Vios Electrical Wiring Diagram Manual Introduction

In this digital age, the convenience of accessing information at our fingertips has become a necessity. Whether its research papers, eBooks, or user manuals, PDF files have become the preferred format for sharing and reading documents. However, the cost associated with purchasing PDF files can sometimes be a barrier for many individuals and organizations. Thankfully, there are numerous websites and platforms that allow users to download free PDF files legally. In this article, we will explore some of the best platforms to download free PDFs. One of the most popular platforms to download free PDF files is Project Gutenberg. This online library offers over 60,000 free eBooks that are in the public domain. From classic literature to historical documents, Project Gutenberg provides a wide range of PDF files that can be downloaded and enjoyed on various devices. The website is user-friendly and allows users to search for specific titles or browse through different categories. Another reliable platform for downloading Toyota Vios Electrical Wiring Diagram Manual free PDF files is Open Library. With its vast collection of over 1 million eBooks, Open Library has something for every reader. The website offers a seamless experience by providing options to borrow or download PDF files. Users simply need to create a free account to access this treasure trove of knowledge. Open Library also allows users to contribute by uploading and sharing their own PDF files, making it a collaborative platform for book enthusiasts. For those interested in academic resources, there are websites dedicated to providing free PDFs of research papers and scientific articles. One such website is Academia.edu, which allows researchers and scholars to share their work with a global audience. Users can download PDF files of research papers, theses, and dissertations covering a wide range of subjects. Academia.edu also provides a platform for discussions and networking within the academic community. When it comes to downloading Toyota Vios Electrical Wiring Diagram Manual free PDF files of magazines, brochures, and catalogs, Issuu is a popular choice. This digital publishing platform hosts a vast collection of publications from around the world. Users can search for specific titles or explore various categories and genres. Issuu offers a seamless reading experience with its user-friendly interface and allows users to download PDF files for offline reading. Apart from dedicated platforms, search engines also play a crucial role in finding free PDF files. Google, for instance, has an advanced search feature that allows users to filter results by file type. By specifying the file type as "PDF," users can find websites that offer free PDF downloads on a specific topic. While downloading Toyota Vios Electrical Wiring Diagram Manual free PDF files is convenient, its important to note that copyright laws must be respected. Always ensure that the PDF files you download are legally available for free. Many authors and publishers voluntarily provide free PDF versions of their work, but its essential to be cautious and verify the authenticity of the source before downloading Toyota Vios

Electrical Wiring Diagram Manual. In conclusion, the internet offers numerous platforms and websites that allow users to download free PDF files legally. Whether its classic literature, research papers, or magazines, there is something for everyone. The platforms mentioned in this article, such as Project Gutenberg, Open Library, Academia.edu, and Issuu, provide access to a vast collection of PDF files. However, users should always be cautious and verify the legality of the source before downloading Toyota Vios Electrical Wiring Diagram Manual any PDF files. With these platforms, the world of PDF downloads is just a click away.

FAQs About Toyota Vios Electrical Wiring Diagram Manual Books

1. Where can I buy Toyota Vios Electrical Wiring Diagram Manual books? Bookstores: Physical bookstores like Barnes & Noble, Waterstones, and independent local stores. Online Retailers: Amazon, Book Depository, and various online bookstores offer a wide range of books in physical and digital formats.
2. What are the different book formats available? Hardcover: Sturdy and durable, usually more expensive. Paperback: Cheaper, lighter, and more portable than hardcovers. E-books: Digital books available for e-readers like Kindle or software like Apple Books, Kindle, and Google Play Books.
3. How do I choose a Toyota Vios Electrical Wiring Diagram Manual book to read? Genres: Consider the genre you enjoy (fiction, non-fiction, mystery, sci-fi, etc.). Recommendations: Ask friends, join book clubs, or explore online reviews and recommendations. Author: If you like a particular author, you might enjoy more of their work.
4. How do I take care of Toyota Vios Electrical Wiring Diagram Manual books? Storage: Keep them away from direct sunlight and in a dry environment. Handling: Avoid folding pages, use bookmarks, and handle them with clean hands. Cleaning: Gently dust the covers and pages occasionally.
5. Can I borrow books without buying them? Public Libraries: Local libraries offer a wide range of books for borrowing. Book Swaps: Community book exchanges or online platforms where people exchange books.
6. How can I track my reading progress or manage my book collection? Book Tracking Apps: Goodreads, LibraryThing, and Book Catalogue are popular apps for tracking your reading progress and managing book collections. Spreadsheets: You can create your own spreadsheet to track books read, ratings, and other details.
7. What are Toyota Vios Electrical Wiring Diagram Manual audiobooks, and where can I find them? Audiobooks: Audio recordings of books, perfect for listening while commuting or multitasking. Platforms: Audible, LibriVox, and Google Play Books offer a wide selection of audiobooks.

8. How do I support authors or the book industry? Buy Books: Purchase books from authors or independent bookstores. Reviews: Leave reviews on platforms like Goodreads or Amazon. Promotion: Share your favorite books on social media or recommend them to friends.
9. Are there book clubs or reading communities I can join? Local Clubs: Check for local book clubs in libraries or community centers. Online Communities: Platforms like Goodreads have virtual book clubs and discussion groups.
10. Can I read Toyota Vios Electrical Wiring Diagram Manual books for free? Public Domain Books: Many classic books are available for free as they're in the public domain. Free E-books: Some websites offer free e-books legally, like Project Gutenberg or Open Library.

Find Toyota Vios Electrical Wiring Diagram Manual :

[white backlash immigration race and american politics](#)

white sewing machine model 4042 manual

white lies the blankenships book 2 kindle

[wiener life ball ritueller gro ereignisses](#)

[why people obey the law why people obey the law](#)

[whirlpool gold refrigerator manual defrost](#)

[wie schrijft die blijft vijfenzeventig jaar edah](#)

[white speedylock serger 7340 manual](#)

wiederbegegnungen ernstes heiteres aus jahren

[white's vx3 manual](#)

whiskey pike a bedtime story for the drinking mankind

[wie zucker deinen h n den erotisches ebook](#)

[wie de kleine kunst niet eert momentopnamen uit het cabaret](#)

why men lie and women cry

why things bite back technology and the revenge of unintended consequences vintage

Toyota Vios Electrical Wiring Diagram Manual :

basic accounting sample problem basic accounting problems - May 23 2022

web jul 30 2021 accounting worksheet problems and solutions home financial accounting work sheet accounting worksheet

problems and solutions we have covered worksheet topic in great detail now it is the right time to do practice and get good marks in the exam remember practice is the key to success in accounting paper

basic accounting questions quizzes multiple choice and more - Dec 18 2021

problems chapter 1 principlesofaccounting com - Oct 28 2022

web 1 another name for the balance sheet is statement of operations statement of financial position 2 the balance sheet heading will specify a period of time point in time 3 which of the following is a category classification or element of the balance sheet expenses gains liabilities losses 4 which of the following is an asset account

accounting examples accounting exercises with answers - Jan 19 2022

web first up is a basic multiple choice accounting test or quiz taken directly from the accounting basics books this short test 9 questions covers the first theory section of this site basic accounting concepts it ll test your understanding of the accounting equation and its main elements assets liabilities and owner s equity

basic accounting problems basic accounting guide - Feb 17 2022

web accounting examples are set of important practice questions and answers for class 11 commerce students and other business students related problems accounting problems financial accounting problems cost accounting problems finance problems financial statement analysis problems related exams mcqs

accounting 1 001 practice problems for dummies wiley - Dec 30 2022

web free accounting practice tests our completely free accounting practice tests are the perfect way to brush up your skills take one of our many accounting practice tests for a run through of commonly asked questions you will receive incredibly detailed scoring results at the end of your accounting practice test to help you identify your

1 001 accounting practice problems for dummies cheat sheet - Jan 31 2023

web get up to speed quickly review and practice major concepts in accounting whether youre looking to improve your classroom experience or simply become more familiar with accounting concepts 1 001 accounting practice problems for dummies is the hands on tool you need to get a step ahead

accounting equation quiz and test accountingcoach - May 03 2023

web bookkeeping practice quiz bookkeeping for multiple choice and true false questions simply press or click on what you think is the correct answer for fill in the blank questions press or click on the blank space provided

practice accounting test skills pass accounting class - Aug 26 2022

web 4 what type of accounts are interest receivable and fees receivable asset liability equity revenue expense 5 what type of entry will decrease the normal balances of the general ledger accounts interest receivable and fees receivable debit credit 6

what type of accounts are deferred revenues and unearned revenues asset liability

problems solutions in accounting basics udemy - Mar 01 2023

web feb 28 2022 as you practice various types of accounting problems and when you begin doing accounting work for real you will need to utilize various formulas to calculate the information you need 10 useful accounting formulas the following are some of the most frequently used accounting formulas

accounting and financial statements khan academy - Mar 21 2022

web basic accounting problems basic accounting guide questions and answers problems multiple choice studocu review notes basic accounting guide questions and answers problems multiple choice if at the end of the accounting period the liabilities total and equity skip to document

accounting practice tests varsity tutors - Nov 28 2022

web chapter 1 welcome to the world of accounting text problems goals achievement fill in the blanks multiple choice glossary basic involved self grading myexcelab the preceding table includes links to basic and involved problems

accounting quizzes and practice tests accountingcoach - Oct 08 2023

web quizzes suggested alphabetical more ways to test yourself quick tests flashcards crossword puzzles word scrambles test your accounting skills with our quizzes accountingcoach helps you evaluate your knowledge and provides free online courses for your improvement

balance sheet quiz and test accountingcoach - Sep 26 2022

web accounting practice quizzes below are five practice quizzes these quizzes are a great way to practice accounting answering these questions efficiently will prepare you for your tests and quizzes click the orange text below the quiz to view the answers

quiz the basic accounting cycle practice khan academy - Jun 04 2023

web 1 the basic accounting equation is assets liabilities for each of the transactions in items 2 through 13 indicate the two or more effects on the accounting equation of the business or company 2 the owner invests personal cash in the business assets increase decrease no effect liabilities increase decrease no effect

debits and credits quiz and test accountingcoach - Jul 05 2023

web google classroom put the first five stages of the accounting cycle in order record the entries in the journal analyze business transactions from source documents prepare an unadjusted trial balance post the entries to the ledger adjust the accounts and prepare an adjusted trial balance report a problem do 7 problems

example accounting problems oblivious investor - Jun 23 2022

web preview text basic accounting problems1 which financial statement reports the revenues and expenses such as a year or

a month for a period of time a balance sheet b income statement c statement of cash flows 2

bookkeeping quiz and test accountingcoach - Apr 02 2023

web problems solutions in accounting basics unique course covering only practice problems in accounting basics 4 7 73 ratings 22 206 students created by raja natarajan b com pgdba fca last updated 6 2021 english auto what you ll learn handle practical problems in accounting very easily requirements

35 basic accounting test questions netsuite - Sep 07 2023

web here is a free basic accounting test to check your understanding of the section on the basic accounting concepts to make this test more realistic time yourself to make sure that you re not just getting the correct answers but also answering at the right speed

the basic accounting test multiple choice quiz - Aug 06 2023

web 1 should the 500 entry to the cash account be a debit yes no 2 should the 500 entry to mary smith capital be a debit yes no use the following information for questions 3 through 6 a company using the accrual method of accounting performed services on account in august

adjusting entries quiz and test accountingcoach - Jul 25 2022

web answer to question 1 assets all the property owned by a business liabilities a company s outstanding debts owners equity the company s ownership interests in its property after all debts have been repaid answer to question 2 70 000 chapter 2 the balance sheet

accounting worksheet problems and solutions - Apr 21 2022

web finance and capital markets 10 units 2 skills unit 1 interest and debt unit 2 housing unit 3 inflation unit 4 taxes unit 5 accounting and financial statements unit 6 stocks and bonds unit 7 investment vehicles insurance and retirement unit

30 best appreciation messages for colleagues coworkers - Jun 14 2023

web feb 28 2023 36 meaningful appreciation messages for colleagues and coworkers 1 i wanted to take a moment to express my appreciation for all that you do your hard work dedication and positive attitude have a significant impact on our team and make our workdays so much better

120 coworker appreciation messages indeed com - Jul 15 2023

web feb 28 2023 thank you for being such a valuable part of our team your attention to detail is truly astounding i don t know how you do it thank you for playing such a critical role in the success of our company there s no other way to say it except that without you we would be lost thank you for your continuous encouragement and support

75 coworker appreciation quotes for all occasions matter app - Oct 06 2022

web thank you for all of the training you have given me i appreciate it thank you for your leadership and your knowledge i

appreciate them both a lot thank you so much for the great guidance and support during this project i couldn t have done it without you thank you for your help getting me through the first few weeks here

[16 employee thank you letter examples and templates](#) - Aug 04 2022

web may 26 2023 here are eight examples of short thank you letters to employees thanks for the extra time you spent on the communications annual report martha your hard work inspires us all and we re so fortunate to have you on the team

wesleyan thank you again for your collaboration with the sales team

how to write a thank you note to a coworker with examples - Nov 07 2022

web feb 28 2023 thank you notes are generally short so you may also want to edit your letter to ensure it is clear and concise only focusing on the main points you want to get across examples you can send thank you notes to colleagues for a variety of situations use these examples as inspiration when writing when you receive help on a project or

[how to write a meaningful thank you note harvard business review](#) - Jun 02 2022

web nov 17 2021 christopher littlefield november 17 2021 hbr staff getty images the burtons summary many of us fear expressing our thanks to others we might worry that our efforts will be misinterpreted or

63 thoughtful thank you messages for work teambuilding com - Mar 11 2023

web dec 23 2022 thank you for being here thank you for learning what i respond to as an individual and i needed that brutal but respectful feedback today thank you for saving me from myself these messages can show appreciation for new hires managers veterans of the company and colleagues

thank you notes and appreciation messages for colleagues - Mar 31 2022

web may 22 2023 sample thank you and appreciation messages to colleagues at work for support you re the most amazing coworker your help has made my job much easier and more fun i really appreciate your time and effort i wanted to say thank you for helping me get this promotion our company is lucky to have you i m grateful you re in my life

[how to write a thank you note to a colleague with examples](#) - Feb 27 2022

web jul 25 2023 writing a thank you note to a colleague will show your appreciation and help build a better relationship with them make sure that you tell them what you are thankful for to make your appreciation clearer you can send a thank you letter to a colleague when someone mentors or trains you or when someone recommends you for a promotion

thank you messages for colleagues appreciation quotes - Dec 28 2021

web nov 19 2022 thank you for your motivation and support i aspire to be as helpful and kind as you your kindness and support have made the office a better place thank you so much for helping me with all my work i hope everybody has the good luck to meet a colleague as generous as you i am grateful for your support at work

thank you notes to coworkers 15 tips examples matter app - Dec 08 2022

web 8 examples of a thank you note to coworkers thank you so much for all your help and your kindness i couldn t have done it without you i want to thank you for all your help with the project i wouldn t have been able to complete it otherwise you truly are an asset to this team thank you again

tips for writing a thank you message for colleagues with examples - May 01 2022

web mar 22 2023 here are some tips you can use to write a thank you note for your coworkers be specific it s important to be specific when writing a thank you note to ensure the recipient knows why you re giving it to them

the 40 best thank you messages for colleagues hr cloud - Apr 12 2023

web thank you for being an impressive source of knowledge in this company your expert guidance has helped me fulfill the tasks in an efficient manner on several occasions thank you once again for being such a dependable colleague 33 thank you for the efforts you undertake every day which make a difference to all of us in the company

thank you notes for coworkers 50 messages for work colleagues - Sep 05 2022

web oct 15 2021 general thank you notes for supportive colleagues thanks for your help on that project you always jump in with great ideas and offers of help your contribution has made all the difference just a quick note to say thanks very much for all you do you are the best work colleague anyone could wish for thanks for helping to make my job much

30 coworker appreciation and thank you messages to send - Feb 10 2023

web dec 4 2022 please accept my sincere gratitude for your support and inspiration thank you for your guidance support and encouragement at work your help has made my project easier and more successful and it s not an overstatement to say you re an amazing coworker please accept my immense thanks for your support at work

giving thanks at work an hbr guide harvard business review - Jan 29 2022

web nov 24 2021 the research is clear gratitude is good for you for the person you re saying thanks to and for your team but how should you express gratitude at work how can you thank your colleagues in a

[writing thank you notes to coworkers 43 examples betterup](#) - Jan 09 2023

web aug 4 2023 thank you for stepping up this month and taking on extra work we couldn t have done it without you thank you for your help and support during a tough moment earlier today thank you for giving such an excellent presentation we all have a lot to learn from you thanks for your mentorship

61 team appreciation messages and 5 tips for how to write - Jul 03 2022

web sep 4 2023 team appreciation messages here are some short messages of appreciation that you can use to help construct your own personal messages to send to your team a thank you to one employee for a specific task here are some messages you can send to your team if someone performs well in a project task or other responsibility

the 40 best thank you messages for colleagues vantage - May 13 2023

web apr 27 2023 40 touching thank you messages for colleagues to make it easier we have divided the messages into segments appreciative thank you messages for colleagues 1 even in those very dreaded days you make my work life easier even though we are good colleagues i consider us good friends thank you for sticking out

the 35 best thank you messages for colleagues empuls - Aug 16 2023

web may 5 2021 appreciative thank you messages for colleagues at work 1 your motivation and determination are an inspiration to our team thanks for helping our team meet and exceed our goals you re a great addition to the group 2 thanks for your exceptional work ethic on our latest project together

au cœur de la traductologie artois presses université - Aug 18 2023

may 26 2021 france ce volume se veut un hommage au regretté michel ballard qui a contribué à fonder la traductologie et à faire de l'étude de la traduction une discipline à part entière ayant peu à peu gagné son autonomie

au coeur de la traductologie hommage a michel bal - Jan 31 2022

sep 3 2023 merely said the au coeur de la traductologie hommage a michel bal is universally compatible bearing in mind any devices to read revue des études slaves 1993 reasoning and decision making philip n johnson laird 1994 08 15 this

volume brings together two hitherto separate aspects of the psychology of thinking how people reason and

au coeur de la traductologie hommage à michel ballard - Sep 07 2022

au cœur de la traductologie hommage à michel ballard aux éditions artois presses université ce volume se veut un hommage au regretté michel ballard qui a contribué à fonder la traductologie et à faire de l'étude de la traduction une discipline à part

au coeur de la traductologie hommage à michel ballard by - May 03 2022

may 1st 2020 au c ur de la traductologie hommage à michel ballard ce volume se veut un hommage au regretté michel ballard qui a contribué à fonder la traductologie et à faire de l'étude de la traduction une discipline à part entière

au coeur de la traductologie hommage a michel bal - Apr 02 2022

2 au coeur de la traductologie hommage a michel bal 2019 12 10 au coeur de la traductologie hommage a michel bal downloaded from monograf no by guest santiago zoe présences du traducteur frank timme gmbh par une approche croisée des savoirs du droit et de la traductologie ce traité offre un éclairage interdisciplinaire sur les

au coeur de la traductologie hommage à michel ballard d hulst - Feb 12 2023

may 30 2019 au coeur de la traductologie hommage à michel ballard d hulst lieven wecksteen quinio corinne mariaule mickaël on amazon com free shipping on qualifying offers au coeur de la traductologie hommage à michel ballard

au coeur de la traductologie hommage à michel ballard decitre - Oct 08 2022

may 30 2019 au coeur de la traductologie hommage à michel ballard de lieven d hulst collection traductologie livraison gratuite à 0 01 dès 35 d achat librairie decitre votre prochain livre est là

au cœur de la traductologie hommage à michel ballard - Aug 06 2022

ce volume se veut un hommage au regretté michel ballard qui a contribué à fonder la traductologie au cœur de la traductologie
hommage à michel ballard by lieven d hulst goodreads home

d hulst lieven mariaule mickaël et wecksteen quinio Érudit - Apr 14 2023

wecksteen quinio corinne dir 2019 au cœur de la traductologie hommage à michel ballard arras artois presses université 344 p comme l indique la quatrième de couverture ce volume se veut un hommage au regretté michel ballard qui a contribué à fonder la traductologie et à faire de l étude de la traduction une

au cœur de la traductologie hommage à michel ballard - Dec 10 2022

noté 5 retrouvez au coeur de la traductologie hommage à michel ballard et des millions de livres en stock sur amazon fr achetez neuf ou d occasion

au cœur de la traductologie hommage à michel ballard format - Nov 09 2022

ce volume se veut un hommage au regretté michel ballard qui a contribué à fonder la traductologie et à faire de l étude de la traduction une discipline à part entière ayant peu à peu gagné son autonomie

au cœur de la traductologie hommage à michel ballard univ - May 15 2023

ce volume se veut un hommage au regretté michel ballard qui a contribué à fonder la traductologie et à faire de l étude de la traduction une discipline à part entière ayant peu à peu gagné son autonomie

au coeur de la traductologie hommage à michel ballard - Sep 19 2023

au coeur de la traductologie hommage à michel ballard études réunies par lieven d hulst mickaël mariaule et corinne wecksteen quinio arras artois presses université 2019 collection traductologie

au cœur de la traductologie michel ballard un historien de la - Jun 16 2023

michel ballard un historien de la traduction et pourtant un véritable historien in au cœur de la traductologie hommage à michel ballard en ligne arras artois presses université 2019 généré le 13 octobre 2023 disponible sur internet books
openedition org apu 20423 isbn 9782848324852

au coeur de la traductologie hommage à michel ballard by - Jun 04 2022

sep 15 2023 la thorie interprétative de la traduction wecksteen corinne perse au cur de la traductologie hommage michel ballard diteur presses universitaires d artois librairies fr corinne michaels livres 2016 48 est newsletter by european society for translation faire hommage achat vente pas cher au coeur de la traductologie hommage michel ballard

erreur 404 le comptoir des presses d universités - Mar 01 2022

erreur 404 page non trouvée

au cœur de la traductologie hommage à michel ballard - Jul 17 2023

résumé ce volume se veut un hommage au regretté michel ballard qui a contribué à fonder la traductologie et à faire de l'étude de la traduction une discipline à part entière ayant peu à peu gagné son autonomie

au coeur de la traductologie hommage a michel bal pdf - Jul 05 2022

sep 8 2023 au coeur de la traductologie hommage a michel bal 2 9 downloaded from uniport edu ng on september 8 2023

by guest works the kinship of languages and the metaphysical notion of pure language the age of translation is a vital read for students and scholars in the fields of translation studies literary studies cultural

au coeur de la traductologie hommage à michel ballard fnac - Mar 13 2023

may 30 2019 résumé voir tout ce volume se veut un hommage au regretté michel ballard qui a contribué à fonder la traductologie et à faire de l'étude de la traduction une discipline à part entière ayant peu à peu gagné son autonomie

au cœur de la traductologie hommage à michel ballard - Jan 11 2023

ce volume se veut un hommage au regretté michel ballard qui a contribué à fonder la traductologie et à faire de l'étude de la traduction une discipline à part entière ayant peu à peu gagné son autonomie la diversité des intervenants qui ne représentent pas moins de 10 pays allemagne belgique espagne france grande bretagne liban pologne roumanie