



Aeolian Harp

By Dennis D. Doregi

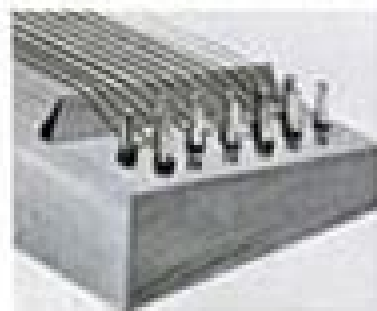
ALMOST UNKNOWN today, the aeolian harp works on a principle that was familiar as far back as biblical times. It is recorded that King David liked to hang his harp over his bed when retiring, so he'd be lulled to sleep by the sound produced as the night breezes played over the strings.

STRINGS STRETCHED are attached at one end to headless nails driven at an angle into the end fiber block.



to set up varying patterns of vibration. Basically, this harp consists of a long narrow sound box over which a dozen nylon guitar strings are stretched—four G's, four E's and four B's. They are attached to headless nails at one end and tuning pins at the other. These pins are designed

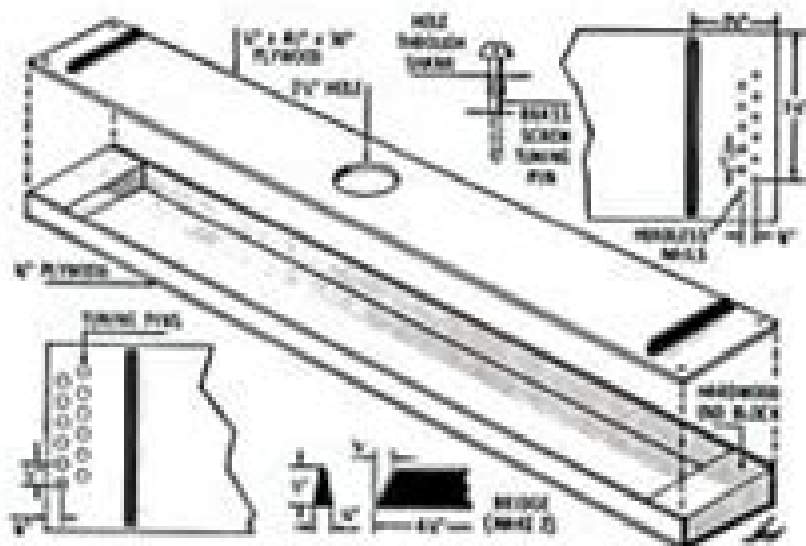
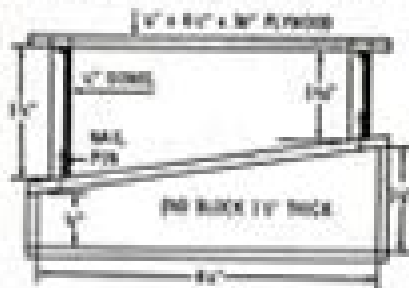
to hold strings at the opposite end, adjusting pins to adjust tension with a tuning wrench.



for use in auto-harps and guitars, and can be ordered at about twenty stores. Order a tuning wrench at the same time, since this is required to turn them. If desired, brass screws, drilled crosswise to hold the strings, may be substituted for the pins. All strings should be tuned to the same note, usually a low G.

The length of the sound box isn't important, as the instrument can be designed to fit any window. Place it on the sill and lower the window so it rests on the cover and holds the harp in place. The sound cover directs strong air currents over the strings, producing an ethereal sound which varies with the wind intensity.

STRETCHED STRINGS drawn over and over angled surface of sound box, that give it power to vibrate in tone.



MAY 1962

Vintage Aeolian Harp Plans

Jonathan Mansfield



Vintage Aeolian Harp Plans:

The Engaging Realm of Kindle Books: A Thorough Guide Unveiling the Pros of E-book Books: A Realm of Ease and Flexibility E-book books, with their inherent portability and ease of availability, have liberated readers from the constraints of hardcopy books. Gone are the days of lugging cumbersome novels or carefully searching for specific titles in bookstores. E-book devices, stylish and portable, seamlessly store an extensive library of books, allowing readers to immerse in their favorite reads whenever, anywhere. Whether traveling on a bustling train, relaxing on a sun-kissed beach, or simply cozying up in bed, E-book books provide an exceptional level of convenience. A Literary World Unfolded: Exploring the Vast Array of E-book Vintage Aeolian Harp Plans Vintage Aeolian Harp Plans The E-book Shop, a virtual treasure trove of literary gems, boasts an extensive collection of books spanning varied genres, catering to every readers preference and preference. From gripping fiction and mind-stimulating non-fiction to classic classics and contemporary bestsellers, the E-book Store offers an unparalleled abundance of titles to explore. Whether seeking escape through engrossing tales of fantasy and adventure, delving into the depths of historical narratives, or expanding ones understanding with insightful works of science and philosophical, the E-book Store provides a doorway to a bookish universe brimming with endless possibilities. A Game-changing Force in the Bookish Landscape: The Enduring Impact of Kindle Books Vintage Aeolian Harp Plans The advent of E-book books has undoubtedly reshaped the literary landscape, introducing a paradigm shift in the way books are published, distributed, and read. Traditional publication houses have embraced the online revolution, adapting their approaches to accommodate the growing need for e-books. This has led to a surge in the availability of E-book titles, ensuring that readers have entry to a wide array of bookish works at their fingertips. Moreover, E-book books have democratized entry to books, breaking down geographical limits and offering readers worldwide with similar opportunities to engage with the written word. Irrespective of their location or socioeconomic background, individuals can now immerse themselves in the intriguing world of books, fostering a global community of readers. Conclusion: Embracing the Kindle Experience Vintage Aeolian Harp Plans E-book books Vintage Aeolian Harp Plans, with their inherent convenience, versatility, and wide array of titles, have unquestionably transformed the way we experience literature. They offer readers the freedom to discover the limitless realm of written expression, anytime, anywhere. As we continue to navigate the ever-evolving digital scene, E-book books stand as testament to the enduring power of storytelling, ensuring that the joy of reading remains reachable to all.

https://ftp.barnabastoday.com/results/book-search/HomePages/yanmar_6laae_marine_diesel_engine_complete_workshop_repair_manual.pdf

Table of Contents Vintage Aeolian Harp Plans

1. Understanding the eBook Vintage Aeolian Harp Plans
 - The Rise of Digital Reading Vintage Aeolian Harp Plans
 - Advantages of eBooks Over Traditional Books
2. Identifying Vintage Aeolian Harp Plans
 - Exploring Different Genres
 - Considering Fiction vs. Non-Fiction
 - Determining Your Reading Goals
3. Choosing the Right eBook Platform
 - Popular eBook Platforms
 - Features to Look for in an Vintage Aeolian Harp Plans
 - User-Friendly Interface
4. Exploring eBook Recommendations from Vintage Aeolian Harp Plans
 - Personalized Recommendations
 - Vintage Aeolian Harp Plans User Reviews and Ratings
 - Vintage Aeolian Harp Plans and Bestseller Lists
5. Accessing Vintage Aeolian Harp Plans Free and Paid eBooks
 - Vintage Aeolian Harp Plans Public Domain eBooks
 - Vintage Aeolian Harp Plans eBook Subscription Services
 - Vintage Aeolian Harp Plans Budget-Friendly Options
6. Navigating Vintage Aeolian Harp Plans eBook Formats
 - ePub, PDF, MOBI, and More
 - Vintage Aeolian Harp Plans Compatibility with Devices
 - Vintage Aeolian Harp Plans Enhanced eBook Features
7. Enhancing Your Reading Experience
 - Adjustable Fonts and Text Sizes of Vintage Aeolian Harp Plans
 - Highlighting and Note-Taking Vintage Aeolian Harp Plans
 - Interactive Elements Vintage Aeolian Harp Plans
8. Staying Engaged with Vintage Aeolian Harp Plans

- Joining Online Reading Communities
 - Participating in Virtual Book Clubs
 - Following Authors and Publishers Vintage Aeolian Harp Plans
9. Balancing eBooks and Physical Books Vintage Aeolian Harp Plans
 - Benefits of a Digital Library
 - Creating a Diverse Reading Collection Vintage Aeolian Harp Plans
 10. Overcoming Reading Challenges
 - Dealing with Digital Eye Strain
 - Minimizing Distractions
 - Managing Screen Time
 11. Cultivating a Reading Routine Vintage Aeolian Harp Plans
 - Setting Reading Goals Vintage Aeolian Harp Plans
 - Carving Out Dedicated Reading Time
 12. Sourcing Reliable Information of Vintage Aeolian Harp Plans
 - Fact-Checking eBook Content of Vintage Aeolian Harp Plans
 - Distinguishing Credible Sources
 13. Promoting Lifelong Learning
 - Utilizing eBooks for Skill Development
 - Exploring Educational eBooks
 14. Embracing eBook Trends
 - Integration of Multimedia Elements
 - Interactive and Gamified eBooks

Vintage Aeolian Harp Plans Introduction

In today's digital age, the availability of Vintage Aeolian Harp Plans books and manuals for download has revolutionized the way we access information. Gone are the days of physically flipping through pages and carrying heavy textbooks or manuals. With just a few clicks, we can now access a wealth of knowledge from the comfort of our own homes or on the go. This article will explore the advantages of Vintage Aeolian Harp Plans books and manuals for download, along with some popular platforms that offer these resources. One of the significant advantages of Vintage Aeolian Harp Plans books and manuals for download is the cost-saving aspect. Traditional books and manuals can be costly, especially if you need to purchase several of

them for educational or professional purposes. By accessing Vintage Aeolian Harp Plans versions, you eliminate the need to spend money on physical copies. This not only saves you money but also reduces the environmental impact associated with book production and transportation. Furthermore, Vintage Aeolian Harp Plans books and manuals for download are incredibly convenient. With just a computer or smartphone and an internet connection, you can access a vast library of resources on any subject imaginable. Whether you're a student looking for textbooks, a professional seeking industry-specific manuals, or someone interested in self-improvement, these digital resources provide an efficient and accessible means of acquiring knowledge. Moreover, PDF books and manuals offer a range of benefits compared to other digital formats. PDF files are designed to retain their formatting regardless of the device used to open them. This ensures that the content appears exactly as intended by the author, with no loss of formatting or missing graphics. Additionally, PDF files can be easily annotated, bookmarked, and searched for specific terms, making them highly practical for studying or referencing. When it comes to accessing Vintage Aeolian Harp Plans books and manuals, several platforms offer an extensive collection of resources. One such platform is Project Gutenberg, a nonprofit organization that provides over 60,000 free eBooks. These books are primarily in the public domain, meaning they can be freely distributed and downloaded. Project Gutenberg offers a wide range of classic literature, making it an excellent resource for literature enthusiasts. Another popular platform for Vintage Aeolian Harp Plans books and manuals is Open Library. Open Library is an initiative of the Internet Archive, a nonprofit organization dedicated to digitizing cultural artifacts and making them accessible to the public. Open Library hosts millions of books, including both public domain works and contemporary titles. It also allows users to borrow digital copies of certain books for a limited period, similar to a library lending system. Additionally, many universities and educational institutions have their own digital libraries that provide free access to PDF books and manuals. These libraries often offer academic texts, research papers, and technical manuals, making them invaluable resources for students and researchers. Some notable examples include MIT OpenCourseWare, which offers free access to course materials from the Massachusetts Institute of Technology, and the Digital Public Library of America, which provides a vast collection of digitized books and historical documents. In conclusion, Vintage Aeolian Harp Plans books and manuals for download have transformed the way we access information. They provide a cost-effective and convenient means of acquiring knowledge, offering the ability to access a vast library of resources at our fingertips. With platforms like Project Gutenberg, Open Library, and various digital libraries offered by educational institutions, we have access to an ever-expanding collection of books and manuals. Whether for educational, professional, or personal purposes, these digital resources serve as valuable tools for continuous learning and self-improvement. So why not take advantage of the vast world of Vintage Aeolian Harp Plans books and manuals for download and embark on your journey of knowledge?

FAQs About Vintage Aeolian Harp Plans Books

How do I know which eBook platform is the best for me? Finding the best eBook platform depends on your reading preferences and device compatibility. Research different platforms, read user reviews, and explore their features before making a choice. Are free eBooks of good quality? Yes, many reputable platforms offer high-quality free eBooks, including classics and public domain works. However, make sure to verify the source to ensure the eBook credibility. Can I read eBooks without an eReader? Absolutely! Most eBook platforms offer webbased readers or mobile apps that allow you to read eBooks on your computer, tablet, or smartphone. How do I avoid digital eye strain while reading eBooks? To prevent digital eye strain, take regular breaks, adjust the font size and background color, and ensure proper lighting while reading eBooks. What the advantage of interactive eBooks? Interactive eBooks incorporate multimedia elements, quizzes, and activities, enhancing the reader engagement and providing a more immersive learning experience. Vintage Aeolian Harp Plans is one of the best book in our library for free trial. We provide copy of Vintage Aeolian Harp Plans in digital format, so the resources that you find are reliable. There are also many Ebooks of related with Vintage Aeolian Harp Plans. Where to download Vintage Aeolian Harp Plans online for free? Are you looking for Vintage Aeolian Harp Plans PDF? This is definitely going to save you time and cash in something you should think about. If you trying to find then search around for online. Without a doubt there are numerous these available and many of them have the freedom. However without doubt you receive whatever you purchase. An alternate way to get ideas is always to check another Vintage Aeolian Harp Plans. This method for see exactly what may be included and adopt these ideas to your book. This site will almost certainly help you save time and effort, money and stress. If you are looking for free books then you really should consider finding to assist you try this. Several of Vintage Aeolian Harp Plans are for sale to free while some are payable. If you arent sure if the books you would like to download works with for usage along with your computer, it is possible to download free trials. The free guides make it easy for someone to free access online library for download books to your device. You can get free download on free trial for lots of books categories. Our library is the biggest of these that have literally hundreds of thousands of different products categories represented. You will also see that there are specific sites catered to different product types or categories, brands or niches related with Vintage Aeolian Harp Plans. So depending on what exactly you are searching, you will be able to choose e books to suit your own need. Need to access completely for Campbell Biology Seventh Edition book? Access Ebook without any digging. And by having access to our ebook online or by storing it on your computer, you have convenient answers with Vintage Aeolian Harp Plans To get started finding Vintage Aeolian Harp Plans, you are right to find our website which has a comprehensive collection of books online. Our library is the biggest of these that have literally hundreds of thousands of different products represented. You will also see that there are specific sites catered to different categories or niches related with Vintage Aeolian Harp Plans So depending on what exactly you are searching, you will be able to choose

ebook to suit your own need. Thank you for reading Vintage Aeolian Harp Plans. Maybe you have knowledge that, people have search numerous times for their favorite readings like this Vintage Aeolian Harp Plans, but end up in harmful downloads. Rather than reading a good book with a cup of coffee in the afternoon, instead they juggled with some harmful bugs inside their laptop. Vintage Aeolian Harp Plans is available in our book collection an online access to it is set as public so you can download it instantly. Our digital library spans in multiple locations, allowing you to get the most less latency time to download any of our books like this one. Merely said, Vintage Aeolian Harp Plans is universally compatible with any devices to read.

Find Vintage Aeolian Harp Plans :

yanmar 6laae marine diesel engine complete workshop repair manual

yanmar l70 manual

~~yamaha zuma 50cc manual~~

york furnace service manual p9c

yaris hybrid manual

~~yerf dog cuv repair manual~~

you and your adolescent revised edition parents guide for ages 10 20 a

yesterdays tomorrows volume 1 tp

~~yogas path weight loss yourself~~

york centrifugal service manual

you are my wish come true

~~yanmar tractor manuals 1802~~

yanmar 1 gm service manual

yesterday in the texas hill country

yardworks snowblower manual

Vintage Aeolian Harp Plans :

TGB BLADE 250 SERVICE MANUAL Pdf Download View and Download TGB BLADE 250 service manual online. TAIWAN GOLDEN BEE ATV. BLADE 250 offroad vehicle pdf manual download. Tgb BLADE 250 Manuals Manuals and User Guides for TGB BLADE 250. We have 2 TGB BLADE 250 manuals available for free PDF download: Service Manual · 2. Maintenance

Information · 3. TGB Blade 250 Service Manual | PDF | Carburetor | Motor Oil This service manual contains the technical data of each component inspection and repair for the BLADE 250 ATV. The manual is shown with illustrations and ... TGB Blade 250 ATV Service Manual TGB Blade 250 ATV Service Manual ; Quantity. 2 available ; Item Number. 165626668714 ; Charity. 1.0% will support The Young Center for Immigrant Childrens Rights. SERVICE MANUAL Jan 4, 2021 — This service manual contains the technical data of each component inspection and repairs for the. ATV. The manual is shown with illustrations ... Pin on TGB May 24, 2020 — This is the COMPLETE Service Repair Manual for the TGB Blade 250 ATV. It Covers complete tear down and rebuild, pictures and part diagrams, ... Tgb Blade 250 Atv Service Repair Manual Tgb Blade 250 Atv repair manual download. Type: PDF, zipped size: 6.98MB. Comes with highly detailed illustrations and step by step instructions. TGB Blade 250 300 Electronic Service Manual English ... This is Electronic service manual for for English version only, after you made an order, please provide your valid email for receiving the service manual. If ... TGB Quad & Atv (250, 325, 425) - Service Manual - YouTube Common Core Coach Student Edition, Mathematics Phone: 800.225.5750. More information. Common Core Coach Student Edition, Mathematics - Grade 3. Common Core Coach Mathematics 1 by triumphlearning Common Core Coach Mathematics 1 by triumphlearning. Coach | EPS Coach Practice Tests, Math. SBAC Practice Tests. Browse by Subjects English ... Most Popular in Math. Common Core Clinics Mathematics · Write Math! More Math. Common Core Coach, Mathematics I: 9781623620004 Book overview. Mathematics I student text developed exclusively for the CCSS. ... Book reviews, interviews, editors' picks, and more. Common Core Performance Coach by Triumph Learning Common Core Performance Coach Mathematics Grade 8, Student Edition 2015 by Triumph learning and a great selection of related books, art and collectibles ... Common Core Coach Math Jan 20, 2015 — Create successful ePaper yourself · 1. Read - Understand the problem and what
. is being asked.
 · 2. Plan - Make a plan. Identify the ... Common Core Coach (2010-2015) - Math Oct 24, 2018 — Common Core Coach. Publisher. School Specialty, Inc. Subject. Math ... The instructional materials reviewed for Common Core Coach Suite Grades 3-5 ... Common Core Coach by Triumph Learning Common Core Performance Coach Mathematics Grade 3, Teacher... Triumph Learning. Used Softcover. Price: US\$ 85.09. Shipping: FREE. Common Core Coach Mathematics 1 - by triumphlearning Cross walk Coach Plus for the Common Core State Standards Mathematics Grade 3. triumphlearning. from: \$8.89. Common Core Performance Coach Mathematics 5th ... COMMON CORE COACH MATHEMATICS 1 By ... COMMON CORE COACH MATHEMATICS 1 By Triumphlearning ****BRAND NEW**** ; Condition. Brand New ; Quantity. 1 available ; Item Number. 334986799838 ; ISBN-10. 1619979985. A Breathless Hush...: The MCC Anthology of Cricket Verse An anthology to delight both cricketers and poetry lovers.Our national pastime,perfectly pitched in a comprehensive collection of almost 500 pages Plenty of ... A Breathless Hush : The McC Anthology of Cricket Verse An anthology to delight both cricketers and poetry lovers.Our national pastime,perfectly pitched in a comprehensive collection of almost 500 pages Plenty of ... A Breathless Hush : The McC Anthology of Cricket

Verse - ... A Breathless Hush : The Mcc Anthology of Cricket Verse by Allen, David Rayvern - ISBN 10: 0413772152 - ISBN 13: 9780413772152 - Methuen - 2004 - Hardcover. A Breathless Hush: The MCC Anthology of Cricket Verse An Anthology of the finest cricket verse of the last 200 years, including contributions from Arthur Conan Doyle, E.V. Lucas, Francis Thompson and Neville ... A Breathless Hush...: The MCC Anthology of Cricket Verse A Breathless Hush...: The MCC Anthology of Cricket Verse - Softcover ; Featured Edition. ISBN 10: ISBN 13: 9780413772152. Publisher: Methuen, 2004. Hardcover. A Breathless Hush... - The MCC Anthology Of Cricket Verse Covering a period of over 300 years, this collection of cricket verse embraces a remarkable range of talent, including many literary masters past and ... A Breathless Hush: The Mcc Anthology of Cricket Verse ... Find the best prices on A Breathless Hush: The Mcc Anthology of Cricket Verse by Rayvern Allen, D. (ed) at BIBLIO | Hardcover | | 2004 | Methuen Publishing ... A Breathless Hush...: The MCC Anthology of Cricket Verse ... A Breathless Hush...: The MCC Anthology of Cricket Verse Paperback Book The Fast ; Item Number. 382547614339 ; Format. Paperback / softback ; Publisher. Methuen ... A breathless hush -- : the MCC anthology of cricket verse ... A breathless hush -- : the MCC anthology of cricket verse / edited by David Rayvern Allen with Hubert Doggart by Allen, D. R - 2004 ; Format/Binding Hardcover ... 'A breathless hush ... ' the MCC anthology of cricket verse An Anthology of the finest cricket verse of the last 200 years, including contributions from Arthur Conan Doyle, E.V. Lucas, Francis Thompson and Neville ...