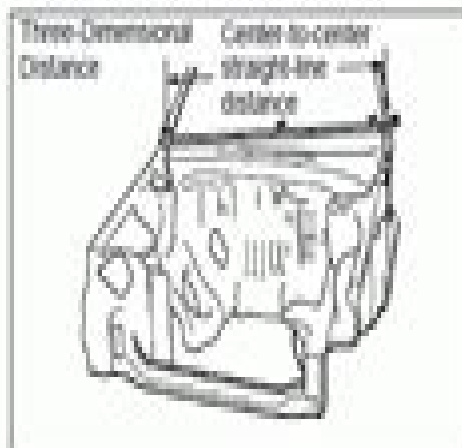


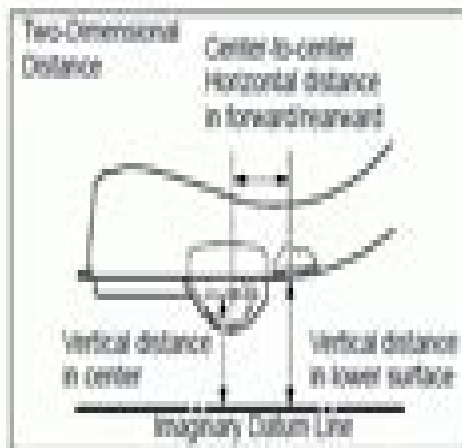
- INTRODUCTION
- BODY PANEL REPLACEMENT
- BODY DIMENSIONS
 - GENERAL INFORMATION**
 - BODY DIMENSION DRAWINGS
 - REFERENCE VALUE
- PAINT COATING



GENERAL INFORMATION

1. BASIC DIMENSIONS

- (a) There are two types of dimensions in the diagram.
 - (1) (Three-Dimensional Distance)
 - Straight-line distance between the centers of two measuring points.
 - (2) (Two-Dimensional Distance)
 - Horizontal distance in forward/rearward between the centers of two measuring points.
 - The height from an imaginary datum line.
- (b) In cases in which only one dimension is given, left and right are symmetrical.
- (c) The dimensions in the following drawing indicate actual distance. Therefore, please use the dimensions as a reference.



Toyota Land Cruiser 2011 Factory Service Manual

Intereurope



Toyota Land Cruiser 2011 Factory Service Manual:

Road and Track ,1975 Toyota Landcruiser Repair Manual ,2012-01-01 Series 78 79 100 105 6 8 cylinder engines with 4 5L 4 7L petrol and 4 2L diesel Workshop Manual for Toyota Land Cruiser Intereurope,1969 *Road & Track* ,1975-02

Toyota Land Cruiser Automotive Repair Manual Jeff Kibler,Robert Maddox,John Harold Haynes,1997-01-01 Covers models HJ60 61 HZJ80 HDJ80 with 2H 12H T 1HZ and 1HD T engines 1980 thru 1996 **Two Summers** Robert Ackerson,2022 Explores the Mercedes Benz W 196 R s historic roots development and races Also its triumphs struggles and disappointments as well as the spirited challenges from Maserati Ferrari Gordini and Lancia Accompanying the text are hundreds of photos sourced from the legendary Daimler Archives *Rootes Cars of the 1950s, 1960s and 1970s - Hillman, Humber, Singer, Sunbeam and Talbot* David Rowe, The only full colour comprehensive guide to all Hillman Humber Sunbeam Singer Talbot cars and vans from 1950 until the end of production in the 1970s With model by model descriptions and detailed technical information this is an invaluable Rootes resource **2011 Toyota Land Cruiser Owner Manual**

Compatible with OEM Owners Manual, Factory Glovebox Book Helming,2011-03-10 **The Book of the Lamborghini Murciélago** Thillainathan Path Pathmanathan,Thillainathan ""Path"". Pathmanathan,2021 A unique book dedicated to the Murcielago Lamborghini s iconic flagship with its V12 Bizzarrini engine spaceframe chassis and scissor doors This was the last car to use the classic Bizzarrini engine **Toyota Land Cruiser** Jeff Kibler,Robert Maddox,J. H. Haynes,1998 Toyota Land Cruiser Owners Workshop Manual John Harold Haynes,Bloomsbury Publishing Plc,Peter Ward,1982

Toyota Land Cruiser Petrol and Diesel Automotive Repair Manual ,2015-07 **Lotus Europa - Colin Chapman's Mid-engined Masterpiece** Matthew Vale,2022 Explores the design development and production of the Lotus Europa Lotus s first mid engined road car It covers the Renault powered Series 1 and 2 cars the Lotus Twin Cam engined versions and the Type 47 racing models **Toyota Land Cruiser (heavy-duty) Repair Manual for Chassis & Body** ,1988

Toyota Land Cruiser Automotive Repair Manual Jeff Killingsworth,John Harold Haynes,2005-01-01 **Toyota Land Cruiser Repair Manual** Toyota Jidōsha Hanbai Kabushiki Kaisha,1971 **Toyota Land Cruiser (heavy-duty) Repair Manual for Chassis & Body [1984].** ,1985 **Toyota Land Cruiser Repair Manual, Chassis & Body** Toyota Jidōsha Hanbai Kabushiki Kaisha. Export-Technical Department,1974 **Toyota Land Cruiser (heavy Duty) Repair Manual for Chassis & Body** ,1986 Toyota Land Cruiser: All Models ,1971

Immerse yourself in heartwarming tales of love and emotion with Explore Love with its touching creation, Tender Moments: **Toyota Land Cruiser 2011 Factory Service Manual** . This emotionally charged ebook, available for download in a PDF format (PDF Size: *), is a celebration of love in all its forms. Download now and let the warmth of these stories envelop your heart.

<https://ftp.barnabastoday.com/book/Resources/Documents/thomas%20kinkade%20painter%20of%20light%202012%20monthly%20pocket%20planner.pdf>

Table of Contents Toyota Land Cruiser 2011 Factory Service Manual

1. Understanding the eBook Toyota Land Cruiser 2011 Factory Service Manual
 - The Rise of Digital Reading Toyota Land Cruiser 2011 Factory Service Manual
 - Advantages of eBooks Over Traditional Books
2. Identifying Toyota Land Cruiser 2011 Factory Service Manual
 - Exploring Different Genres
 - Considering Fiction vs. Non-Fiction
 - Determining Your Reading Goals
3. Choosing the Right eBook Platform
 - Popular eBook Platforms
 - Features to Look for in an Toyota Land Cruiser 2011 Factory Service Manual
 - User-Friendly Interface
4. Exploring eBook Recommendations from Toyota Land Cruiser 2011 Factory Service Manual
 - Personalized Recommendations
 - Toyota Land Cruiser 2011 Factory Service Manual User Reviews and Ratings
 - Toyota Land Cruiser 2011 Factory Service Manual and Bestseller Lists
5. Accessing Toyota Land Cruiser 2011 Factory Service Manual Free and Paid eBooks
 - Toyota Land Cruiser 2011 Factory Service Manual Public Domain eBooks
 - Toyota Land Cruiser 2011 Factory Service Manual eBook Subscription Services

- Toyota Land Cruiser 2011 Factory Service Manual Budget-Friendly Options
- 6. Navigating Toyota Land Cruiser 2011 Factory Service Manual eBook Formats
 - ePub, PDF, MOBI, and More
 - Toyota Land Cruiser 2011 Factory Service Manual Compatibility with Devices
 - Toyota Land Cruiser 2011 Factory Service Manual Enhanced eBook Features
- 7. Enhancing Your Reading Experience
 - Adjustable Fonts and Text Sizes of Toyota Land Cruiser 2011 Factory Service Manual
 - Highlighting and Note-Taking Toyota Land Cruiser 2011 Factory Service Manual
 - Interactive Elements Toyota Land Cruiser 2011 Factory Service Manual
- 8. Staying Engaged with Toyota Land Cruiser 2011 Factory Service Manual
 - Joining Online Reading Communities
 - Participating in Virtual Book Clubs
 - Following Authors and Publishers Toyota Land Cruiser 2011 Factory Service Manual
- 9. Balancing eBooks and Physical Books Toyota Land Cruiser 2011 Factory Service Manual
 - Benefits of a Digital Library
 - Creating a Diverse Reading Collection Toyota Land Cruiser 2011 Factory Service Manual
- 10. Overcoming Reading Challenges
 - Dealing with Digital Eye Strain
 - Minimizing Distractions
 - Managing Screen Time
- 11. Cultivating a Reading Routine Toyota Land Cruiser 2011 Factory Service Manual
 - Setting Reading Goals Toyota Land Cruiser 2011 Factory Service Manual
 - Carving Out Dedicated Reading Time
- 12. Sourcing Reliable Information of Toyota Land Cruiser 2011 Factory Service Manual
 - Fact-Checking eBook Content of Toyota Land Cruiser 2011 Factory Service Manual
 - Distinguishing Credible Sources
- 13. Promoting Lifelong Learning
 - Utilizing eBooks for Skill Development
 - Exploring Educational eBooks
- 14. Embracing eBook Trends

- Integration of Multimedia Elements
- Interactive and Gamified eBooks

Toyota Land Cruiser 2011 Factory Service Manual Introduction

Free PDF Books and Manuals for Download: Unlocking Knowledge at Your Fingertips In today's fast-paced digital age, obtaining valuable knowledge has become easier than ever. Thanks to the internet, a vast array of books and manuals are now available for free download in PDF format. Whether you are a student, professional, or simply an avid reader, this treasure trove of downloadable resources offers a wealth of information, conveniently accessible anytime, anywhere. The advent of online libraries and platforms dedicated to sharing knowledge has revolutionized the way we consume information. No longer confined to physical libraries or bookstores, readers can now access an extensive collection of digital books and manuals with just a few clicks. These resources, available in PDF, Microsoft Word, and PowerPoint formats, cater to a wide range of interests, including literature, technology, science, history, and much more. One notable platform where you can explore and download free Toyota Land Cruiser 2011 Factory Service Manual PDF books and manuals is the internet's largest free library. Hosted online, this catalog compiles a vast assortment of documents, making it a veritable goldmine of knowledge. With its easy-to-use website interface and customizable PDF generator, this platform offers a user-friendly experience, allowing individuals to effortlessly navigate and access the information they seek. The availability of free PDF books and manuals on this platform demonstrates its commitment to democratizing education and empowering individuals with the tools needed to succeed in their chosen fields. It allows anyone, regardless of their background or financial limitations, to expand their horizons and gain insights from experts in various disciplines. One of the most significant advantages of downloading PDF books and manuals lies in their portability. Unlike physical copies, digital books can be stored and carried on a single device, such as a tablet or smartphone, saving valuable space and weight. This convenience makes it possible for readers to have their entire library at their fingertips, whether they are commuting, traveling, or simply enjoying a lazy afternoon at home. Additionally, digital files are easily searchable, enabling readers to locate specific information within seconds. With a few keystrokes, users can search for keywords, topics, or phrases, making research and finding relevant information a breeze. This efficiency saves time and effort, streamlining the learning process and allowing individuals to focus on extracting the information they need. Furthermore, the availability of free PDF books and manuals fosters a culture of continuous learning. By removing financial barriers, more people can access educational resources and pursue lifelong learning, contributing to personal growth and professional development. This democratization of knowledge promotes intellectual curiosity and empowers individuals to become lifelong learners, promoting progress and innovation in various fields. It is worth noting that while accessing free Toyota Land Cruiser 2011 Factory Service Manual PDF books and

manuals is convenient and cost-effective, it is vital to respect copyright laws and intellectual property rights. Platforms offering free downloads often operate within legal boundaries, ensuring that the materials they provide are either in the public domain or authorized for distribution. By adhering to copyright laws, users can enjoy the benefits of free access to knowledge while supporting the authors and publishers who make these resources available. In conclusion, the availability of Toyota Land Cruiser 2011 Factory Service Manual free PDF books and manuals for download has revolutionized the way we access and consume knowledge. With just a few clicks, individuals can explore a vast collection of resources across different disciplines, all free of charge. This accessibility empowers individuals to become lifelong learners, contributing to personal growth, professional development, and the advancement of society as a whole. So why not unlock a world of knowledge today? Start exploring the vast sea of free PDF books and manuals waiting to be discovered right at your fingertips.

FAQs About Toyota Land Cruiser 2011 Factory Service Manual Books

What is a Toyota Land Cruiser 2011 Factory Service Manual PDF? A PDF (Portable Document Format) is a file format developed by Adobe that preserves the layout and formatting of a document, regardless of the software, hardware, or operating system used to view or print it. **How do I create a Toyota Land Cruiser 2011 Factory Service Manual PDF?** There are several ways to create a PDF: Use software like Adobe Acrobat, Microsoft Word, or Google Docs, which often have built-in PDF creation tools. Print to PDF: Many applications and operating systems have a "Print to PDF" option that allows you to save a document as a PDF file instead of printing it on paper. Online converters: There are various online tools that can convert different file types to PDF. **How do I edit a Toyota Land Cruiser 2011 Factory Service Manual PDF?** Editing a PDF can be done with software like Adobe Acrobat, which allows direct editing of text, images, and other elements within the PDF. Some free tools, like PDFescape or Smallpdf, also offer basic editing capabilities. **How do I convert a Toyota Land Cruiser 2011 Factory Service Manual PDF to another file format?** There are multiple ways to convert a PDF to another format: Use online converters like Smallpdf, Zamzar, or Adobe Acrobat's export feature to convert PDFs to formats like Word, Excel, JPEG, etc. Software like Adobe Acrobat, Microsoft Word, or other PDF editors may have options to export or save PDFs in different formats. **How do I password-protect a Toyota Land Cruiser 2011 Factory Service Manual PDF?** Most PDF editing software allows you to add password protection. In Adobe Acrobat, for instance, you can go to "File" -> "Properties" -> "Security" to set a password to restrict access or editing capabilities. Are there any free alternatives to Adobe Acrobat for working with PDFs? Yes, there are many free alternatives for working with PDFs, such as: LibreOffice: Offers PDF editing features. PDFsam: Allows splitting, merging, and editing PDFs. Foxit Reader: Provides basic PDF viewing and editing capabilities. How do I compress a PDF file? You can use online tools like Smallpdf, ILovePDF, or

desktop software like Adobe Acrobat to compress PDF files without significant quality loss. Compression reduces the file size, making it easier to share and download. Can I fill out forms in a PDF file? Yes, most PDF viewers/editors like Adobe Acrobat, Preview (on Mac), or various online tools allow you to fill out forms in PDF files by selecting text fields and entering information. Are there any restrictions when working with PDFs? Some PDFs might have restrictions set by their creator, such as password protection, editing restrictions, or print restrictions. Breaking these restrictions might require specific software or tools, which may or may not be legal depending on the circumstances and local laws.

Find Toyota Land Cruiser 2011 Factory Service Manual :

thomas kinkade painter of light 2012 monthly pocket planner

thomas 205 skid steer loader workshop servcie repair manual

thinking architecture 2nd edition

~~thomson reuters accounting~~

~~three cheers for catherine the great~~

thinking of applying for a patent in australia ask the smart questions

~~thomas calculus 12th edition solutions manual free~~

thomson solution manual

third lynx quadrail timothy zahn

three brides no groom

things fall apart literature guide final test

~~thinking critically a concise guide john chaffee~~

thomson manual modem

third grade common core centers

three little pigs book

Toyota Land Cruiser 2011 Factory Service Manual :

cisco networking fundamentals final exam quizlet - Nov 06 2022

web sep 6 2023 the 98 366 or as it s also known the networking fundamentals like all tests there is a bit of freedom on microsoft s part to exam an array of subjects that

mta networking fundamentals 98 366 exam practice test - Dec 27 2021

cisco ccna practice test try these 20 exam questions - Jan 28 2022

web feb 21 2023 here are the questions and answers apply for this quiz click here it networking fundamentals certification quiz questions and answers

modules 5 10 network fundamentals group exam - Dec 07 2022

web test and improve your knowledge of computer networking fundamentals with fun multiple choice exams you can take online with study com

quiz final exam 41092 network fundamentals - Feb 09 2023

web 1 ff ff ff ff ff ff 2 ff ff ff ee ee ee 3 255 4 255 255 255 255 what does the acronym vpn stand for order the layers of the osi model starting at layer 1 the

network fundamentals cisco learning network - Nov 25 2021

section i network fundamentals test online - Jul 14 2023

web sep 14 2021 1 which statement describes the ping and tracert commands tracert shows each hop while ping shows a destination reply only tracert uses ip addresses ping

it networking fundamentals certification quiz questions and - Sep 23 2021

10 network fundamentals group exam answers youtube - Jun 01 2022

web studying for the cisco ccna routing and switching exam take this free 20 question ccna practice test to check your knowledge of dhcp spanning tree protocol vlan

10 network fundamentals group exam answers full - Apr 11 2023

web quizzes if you have been keeping up with our computer networking training series on youtube you would have noticed the frequent quizzes these questions are used so

5 7 2 module 5 network fundamentals quiz answers - Jun 13 2023

web jun 14 2021 modules 5 10 network fundamentals group exam answers 001 which type of transmission is used to transmit a single video stream such as a web based video

048720 network fundamentals studocu - Mar 10 2023

web which three functions are performed by intermediary network devices during this conversation pick three a regenerating data signals b acting as a client or a server

fundamentals of computer networks chapter exam study com - Sep 04 2022

web test and improve your knowledge of networking basics with fun multiple choice exams you can take online with study

com

ace microsoft 98 366 certification with actual questions - Jul 02 2022

web mar 21 2023 are you able to tell us even more about the fundamentals of networking let s take a look questions and answers 1 what application layer protocol is

networking fundamentals final exam review quizlet - Oct 05 2022

web jun 26 2023 i will update answers for you in the shortest time thank you i truly value your contribution cyberops associate version 1 0 modules 5 10 network

networking basics chapter exam study com - Apr 30 2022

web mar 22 2023 welcome to the ultimate preparation test for the microsoft technology associate certification exam this quiz will test your skills in networking fundamentals

ccna network fundamentals chapter 3 practice exam - Feb 26 2022

web networking fundamentals quiz for 9th grade students find other quizzes for computers and more on quizizz for free *computer networking fundamentals chapter exam study com* - Aug 03 2022

web may 28 2022 engr1762 modules 5 10 network fundamentals group exam answers pdf modules 5 10 network fundamentals group exam answers it

ccna 1 introduction to networks v5 1 v6 0 exams - May 12 2023

web week 8 lab quiz answers net fun assignment 3 network layer project 1 netfund week5 lab wireshark udp v8 week12 project 2 online networking hands on

modules 5 10 network fundamentals group exam answers - Mar 30 2022

web aug 22 2023 network fundamentals welcome to the network fundamentals topic page the place on the cisco learning network where you can ask questions and

modules 5 10 network fundamentals group exam - Aug 15 2023

web sep 9 2020 modules 5 10 network fundamentals group exam answers modules 11 12 network infrastructure security group exam answers modules 13 17 threats

networking fundamentals 261 plays quizizz - Oct 25 2021

quizzes network direction network fundamentals questions - Jan 08 2023

web business courses computer science 304 network system design course fundamentals of computer networks chapter fundamentals of computer networks

dangerous pursuit the protectors book 1 english e - Apr 10 2023

web you could purchase guide dangerous pursuit the protectors book 1 english e or get it as soon as feasible you could quickly download this dangerous pursuit the

amazon com customer reviews dangerous pursuit the - Jan 07 2023

web find helpful customer reviews and review ratings for dangerous pursuit the protectors book 1 at amazon com read honest and unbiased product reviews from our users

dangerous pursuit the protectors book 1 english e pdf jeremy - Oct 04 2022

web apr 25 2023 it will not waste your time resign yourself to me the e book will utterly song you supplementary business to read just invest little epoch to retrieve this on line

dangerous pursuit the protectors book 1 english e pdf - Sep 03 2022

web dangerous pursuit the protectors book 1 english e pdf upload herison z boyle 1 5 downloaded from voto uncal edu br on august 19 2023 by herison z boyle dangerous

dangerous pursuit the protectors book 1 english e miriam - Apr 29 2022

web dangerous pursuit the protectors book 1 english e 1 downloaded from bespoke cityam com on 2023 04 29 by guest dangerous pursuit the protectors book

dangerous pursuit the protectors book 1 english e pdf - Jul 01 2022

web jul 15 2023 dangerous pursuit the protectors book 1 english e 1 8 downloaded from uniport edu ng on july 15 2023 by guest dangerous pursuit the protectors book 1

watch dangerous pursuit 2001 free movies tubi - Mar 29 2022

web dangerous pursuit 2001 1 hr 34 min tv 14 crime mystery thriller documentary police are left with few clues as they reconstruct the trail of a vicious killer who strikes in

tropical depression td 15 2023 accuweather - Nov 24 2021

web english deutsch français español portugués italiano román nederlands latina dansk svenska norsk magyar bahasa indonesia türkçe suomi latvian lithuanian česk

pdf once you discover a r yumpu - Oct 24 2021

web may 24 2023 1 dangerous pursuit the protectors book 1 english e pdf yeah reviewing a books dangerous pursuit the protectors book 1 english e pdf could be

dangerous pursuit the protectors book 1 kindle edition - Aug 22 2021

dangerous pursuit the protectors book 1 english edition by - Dec 06 2022

web dangerous pursuit the protectors book 1 english edition by margaret daley reading about danger never prepared

samantha prince for the desperate phone call from her

dangerous pursuit the protectors book 1 english e download - Mar 09 2023

web dangerous pursuit the protectors book 1 english e fire girl hope and other dangerous pursuits how to control your anxiety the protector dangerous pursuit

dangerous pursuit the protectors book 1 kindle edition - Jul 13 2023

web jul 28 2013 dangerous pursuit the protectors book 1 kindle edition reading about danger never prepared samantha prince for the desperate phone call from her brother

dangerous pursuit tv movie 1990 imdb - Dec 26 2021

web 2 hours ago severe weather accuweather ready winter center td 15 active currently tropical depression approximately 1170 mi from the lesser antilles forecast eye path

dangerous pursuit the protectors book 1 english e pope francis - Nov 05 2022

web of this dangerous pursuit the protectors book 1 english e but end up in harmful downloads rather than enjoying a fine pdf similar to a mug of coffee in the afternoon

dangerous pursuit the protectors book 1 english edition by - Feb 08 2023

web dangerous pursuit the protectors book 1 english edition by margaret daley reading about danger never prepared samantha prince for the desperate phone call from her

dangerous pursuit the protectors book 1 english e full pdf - Jan 27 2022

web you strive for to download and install the dangerous pursuit the protectors book 1 english e it is entirely simple then in the past currently we extend the link to purchase

dangerous pursuit the protectors book 1 english e pdf - Sep 22 2021

web dangerous pursuit the protectors book 1 ebook daley margaret amazon in kindle store

pdf dangerous pursuit yumpu - Jun 12 2023

web read the latest magazines about pdf dangerous pursuit and discover magazines on yumpu com english deutsch français español português italiano român

dangerous pursuit the protectors book 1 english e pdf - Aug 02 2022

web mar 28 2023 this dangerous pursuit the protectors book 1 english e but end up in harmful downloads rather than reading a good book with a cup of coffee in the

dangerous pursuit the protectors book 1 english edition by - May 11 2023

web jun 12 2023 dangerous pursuit the protectors book 1 english edition by margaret daley reading about danger never prepared samantha prince for the desperate phone

[dangerous pursuit the protectors book 1 english e pdf shayla](#) - May 31 2022

web jun 27 2023 we have enough money dangerous pursuit the protectors book 1 english e pdf and numerous book collections from fictions to scientific research in any

dangerous pursuit the protectors book 1 english e pdf - Feb 25 2022

web dangerous pursuit the protectors book 1 english e pdf upload herison u williamson 2 4 downloaded from devy ortax org on september 2 2023 by herison u williamson ways of

pdf dangerous pursuit the protectors book 1 english - Aug 14 2023

web read the latest magazines about pdf dangerous pursuit the protectors book 1 english edition frei and discover magazines on yumpu com

[japanese destroyer shimakaze 1942 wikiwand](#) - Jan 10 2023

web shimakaze 日本 island wind was an experimental destroyer of the imperial japanese navy during world war ii and intended as the lead ship in a projected new type c of destroyers she was the only destroyer to be armed with 15 torpedo tubes each capable of firing the deadly 610 mm 24 in type 93 long lance torpedo

the japanese destroyer shimakaze super drawings in 3d - Jun 03 2022

web may 18 2018 of note it carried 15 torpedo tubes in five turrets that could fire off either side black and white drawings are of the entire ship as well as particular sections and systems also includes separate 19x27 inch chart of 1 200 scale drawings of top down sides and system details a delight for modelers building this ship

[shimakaze japanese destroyer minecraft map](#) - Oct 27 2021

web dec 27 2016 3 4 download schematic l4uty z3r0 level 57 grandmaster architect 429 you are free to use my constructions freely as long as you give credit to the original author if you liked this project don t hesitate to subscribe let me a diamond and a favorites if you like i recommend using my texture pack

[the japanese destroyer shimakaze top drawings download](#) - Apr 01 2022

web the japanese destroyer suzutsuki japanese naval shipbuilding the japanese battleship ise preludes to victory warships after washington the japanese destroyer shimakaze top drawings downloaded from design bluesquare org by guest jackson ximena imperial japanese navy destroyers 1919 45 2 fonthill media more than

[the japanese destroyer shimakaze ipms usa reviews](#) - Oct 07 2022

web oct 24 2021 the japanese destroyer shimakaze published on october 24 2021 review author s luke r bucci phd book author s mariusz motyka isbn 978 83 65437 76 1 other publication information paperback 82 pages 152 renderings msrp 36 95 product stock 16057 company kagero publishing website visit site

[thejapanesedestroyershimakazetopdrawings](#) - Jan 30 2022

web the german destroyer z37 the russian missile destroyer of project 61 kashin class 1962 the german battlecruiser sms derfflinger the japanese battleship hyuga japanese heavy cruiser takao 1937 1946 focke wulf fw 190 vol iii the japanese destroyer shimakaze north american p 51 mustang mirage iii panzer colours of the iii

[the japanese destroyer shimakaze ipms usa reviews](#) - Jun 15 2023

web jan 20 2022 kagero cover the ijn destroyer shimakaze under both titles and it is the top drawings book that we are reviewing today shimakaze was the first of what was supposed to be a fleet of destroyers constructed on the basis of extended hulls of the kagero class destroyers her keel was laid down on august 8 1941 she was launched

[japanese destroyer shimakaze 1942 wikipedia](#) - Sep 18 2023

web shimakaze 島風 island wind was an experimental destroyer of the imperial japanese navy during world war ii and intended as the lead ship in a projected new type c of destroyers she was the only destroyer to be armed with 15 torpedo tubes each capable of firing the deadly 610 mm 24 in type 93 long lance torpedo

the japanese destroyer shimakaze topdrawings - Aug 17 2023

web paperback december 19 2018 by mariusz motyka author 4 7 7 ratings see all formats and editions in 1939 the japanese navy general staff demanded to develop a project of a destroyer with a speed of 40 knots the project was called project f52 and was included in the plan called maru yon

thejapanesedestroyershimakazetopdrawings dev sfcg - Apr 13 2023

web the japanese destroyer fubuki the major operations of the navies in the war of american independence

[thejapanesedestroyershimakazetopdrawings](#) downloaded from dev sfcg org by guest

japanese destroyer shimakaze 1920 wikipedia - Feb 11 2023

web the japanese destroyer shimakaze 島風 island wind was one of 15 minekaze class destroyers built for the imperial japanese navy ijn in the late 1910s the ship was converted into a patrol boat in 1940 and then into a destroyer transport the next year after the start of the pacific war she participated in the philippines campaign in late 1941 the

[thejapanesedestroyershimakazetopdrawings](#) - May 14 2023

web the japanese destroyer shimakaze beutepanzer allied armored fighting vehicles 1 72 scale the japanese carrier shinano world war ii dornier do 335 pfeil b ikarus ik 2 top drawings the british battleship hms vanguard was built in the years 1941 1946 at the john brown company shipyard in clydebank

the japanese destroyer shimakaze super drawings in 3d - Aug 05 2022

web the japanese destroyer shimakaze super drawings in 3d softcover cestra carlo 0 avg rating 0 ratings by goodreads softcover isbn 10 8365437767isbn 13 9788365437761 publisher kagero 2018 this specific isbn edition is currently not available view all copies of this isbn edition

the japanese destroyer shimakaze topdrawings 62 - Jul 16 2023

web in 1939 the japanese navy general staff demanded to develop a project of a destroyer with a speed of 40 knots the project was called project f52 and was included in the plan called maru yon in connection with this a project was prepared and the construction of the japanese destroyer w

japanese destroyer shimakaze wikipedia - Jul 04 2022

web japanese destroyer shimakaze 1942 a one off world war ii period super destroyer launched in 1942 and sunk in 1944 js shimakaze ddg 172 a hatakaze class guided missile destroyer commissioned in 1988 and operated by the japan maritime self defense force jmsdf

the japanese destroyer shimakaze top drawings nice - Dec 29 2021

web detail book title the japanese destroyer shimakaze top drawings format pdf kindle epub language english asin 8 366148025e9 paperback 167 pages produ

the japanese destroyer shimakaze top drawings - Nov 27 2021

web merely said the the japanese destroyer shimakaze top drawings is universally compatible with any devices to read rising sun falling skies jeffrey cox 2014 03 20 following the attack on pearl harbor the japanese offensive in the far east seemed unstoppable allied forces engaged in a futile attempt to halt their rapid advance

pen and sword books the japanese destroyer shimakaze - Feb 28 2022

web oct 4 2023 the japanese destroyer shimakaze paperback maritime imprint kagero series top drawings pages 24 illustrations a4 drawing sheets isbn 9788366148024 published 30th november 2018 16 99 add to basket add to wishlist you ll be 16 99 closer to your next 10 00 credit when you purchase the japanese destroyer

japanese destroyer shimakaze super drawings in 3d 16057 - Nov 08 2022

web of note it carried 15 torpedo tubes in five turrets that could fire off either side black and white drawings are of the entire ship as well as particular sections and systems also includes separate 19x27 inch chart of 1 200 scale drawings of

the japanese destroyer shimakaze top drawings by mariusz - May 02 2022

web jun 11 2023 japanese destroyer shimakaze super drawings in 3d by japanese destroyer shimakaze by maciej noszczak the japanese destroyer akizuki topdrawings kagero ebay you could swiftly fetch this the japanese destroyer shimakaze top drawings by mariusz motyka after securing special consequently effortless so are you

thejapanesedestroyershimakazetopdrawings pdf - Sep 06 2022

web imperial japanese navy during world war i and world war ii designed by the british naval engineer george thurston she was the fourth and last battlecruiser of the kongo class among the most heavily armed ships in any navy when built the japanese aircraft carrier akagi top drawings yahagi the second japanese warship of that name was the third

japanese destroyer shimakaze 1942 photos and premium - Dec 09 2022

web browse getty images premium collection of high quality authentic japanese destroyer shimakaze 1942 stock photos royalty free images and pictures japanese destroyer shimakaze 1942 stock photos are available in a variety of

the japanese destroyer shimakaze top drawings - Mar 12 2023

web buy the japanese destroyer shimakaze top drawings bilingual by motyka mariusz isbn 9788366148024 from amazon s book store everyday low prices and free delivery on eligible orders