

Fig. 4. TAMD73P-A (~TAMD73 EDC)

1. Filter for crankcase ventilation
 2. Air Cleaner (ACL)
 3. Charge air cooler (CAC)
 4. Heat exchanger
 5. Expansion tank
 6. AC generator
 7. Seawater pump
 8. Oil sump
 9. Oil dipstick, engine
 10. Starter motor
 11. Oil dipstick, TD MG507A reverse gear
 12. Alt. location of lubricating oil filter, engine (accessory)
- Std. location same as for TAMD74 (fig. 6)

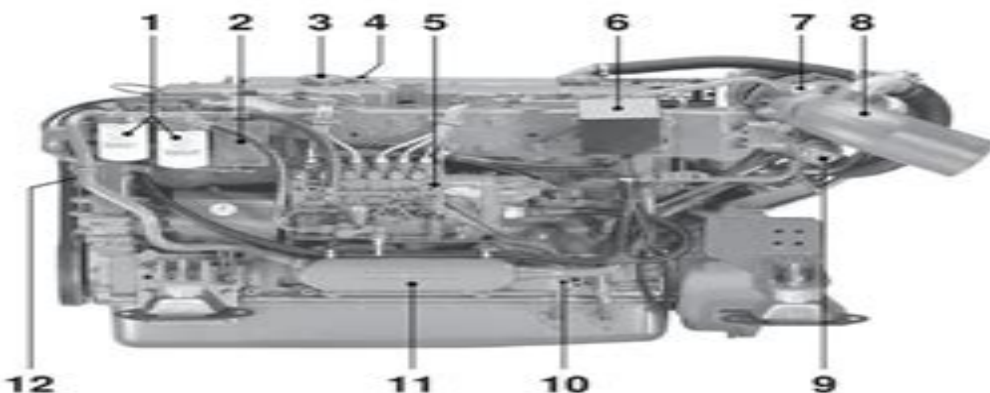


Fig. 5. TAMD74C-A, TAMD74L-A, TAMD74P-A (~TAMD74 EDC)

1. Fine fuel filters
2. Electronic Diesel Control (EDC) control module box
3. Oil filler cap
4. Engine coolant filler cap
5. Injection pump
6. Terminal box with semi-automatic fuses
7. Turbocharger
8. Water-cooled exhaust bend (accessory)
9. Wastegate valve (boost pressure control (BPC) valve)
10. Oil dipstick, engine
11. Oil cooler, engine
12. Circulation pump

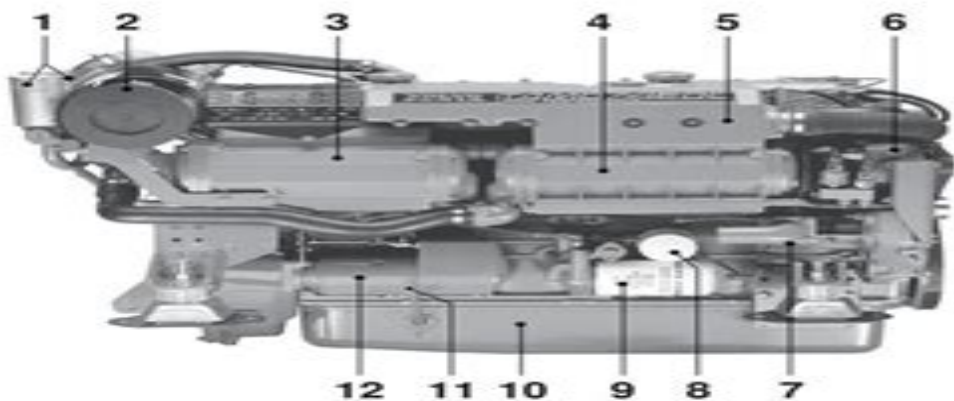


Fig. 6. TAMD74C-A, TAMD74L-A, TAMD74P-A (~TAMD74 EDC)

1. Filters for crankcase ventilation
2. Air Cleaner (ACL)
3. Charge air cooler (CAC)
4. Heat exchanger
5. Expansion tank
6. AC generator
7. Seawater pump
8. By-pass filter for lubricating oil
9. Lubricating oil filter
10. Oil sump
11. Oil dipstick, engine
12. Starter motor

Volvo Tamd 75 Manual

Daniel F McAuley



Volvo Tamd 75 Manual:

Moody's International Manual ,2000 Mergent International Manual ,2009 *Boating* ,1982-01 **Boating** ,1974-07
Catalog of Copyright Entries. Third Series Library of Congress. Copyright Office,1977 *Seloc's Volvo Penta Stern Drive* Joan Coles, Clarence W. Coles,1984 *Power Farming in Australia and New Zealand Technical Manual* ,1989
Boating ,2004-08 *Books in Print Supplement* ,2002 **Scientific and Technical Books and Serials in Print** ,1984
The Work Boat ,1976 **The Police Chief** ,1992-07 *The Waterways Journal* ,1990-08 **Marine Engineering/log** ,1975-07 *Western Fisheries* ,1981 Yachting ,1981-09 **Books and Pamphlets, Including Serials and Contributions to Periodicals** Library of Congress. Copyright Office,1975-07 *Catalog of Copyright Entries, Third Series* Library of Congress. Copyright Office,1975 The record of each copyright registration listed in the Catalog includes a description of the work copyrighted and data relating to the copyright claim the name of the copyright claimant as given in the application for registration the copyright date the copyright registration number etc *Fishing Gazette* ,1977
Fishing News International ,1977

The book delves into Volvo Tamd 75 Manual. Volvo Tamd 75 Manual is a vital topic that must be grasped by everyone, ranging from students and scholars to the general public. The book will furnish comprehensive and in-depth insights into Volvo Tamd 75 Manual, encompassing both the fundamentals and more intricate discussions.

1. The book is structured into several chapters, namely:
 - Chapter 1: Introduction to Volvo Tamd 75 Manual
 - Chapter 2: Essential Elements of Volvo Tamd 75 Manual
 - Chapter 3: Volvo Tamd 75 Manual in Everyday Life
 - Chapter 4: Volvo Tamd 75 Manual in Specific Contexts
 - Chapter 5: Conclusion
2. In chapter 1, this book will provide an overview of Volvo Tamd 75 Manual. This chapter will explore what Volvo Tamd 75 Manual is, why Volvo Tamd 75 Manual is vital, and how to effectively learn about Volvo Tamd 75 Manual.
3. In chapter 2, this book will delve into the foundational concepts of Volvo Tamd 75 Manual. The second chapter will elucidate the essential principles that need to be understood to grasp Volvo Tamd 75 Manual in its entirety.
4. In chapter 3, this book will examine the practical applications of Volvo Tamd 75 Manual in daily life. The third chapter will showcase real-world examples of how Volvo Tamd 75 Manual can be effectively utilized in everyday scenarios.
5. In chapter 4, the author will scrutinize the relevance of Volvo Tamd 75 Manual in specific contexts. This chapter will explore how Volvo Tamd 75 Manual is applied in specialized fields, such as education, business, and technology.
6. In chapter 5, this book will draw a conclusion about Volvo Tamd 75 Manual. This chapter will summarize the key points that have been discussed throughout the book.

The book is crafted in an easy-to-understand language and is complemented by engaging illustrations. This book is highly recommended for anyone seeking to gain a comprehensive understanding of Volvo Tamd 75 Manual.

https://ftp.barnabastoday.com/files/virtual-library/index.jsp/tuck_everlasting_study_guide_answers_for_teachers.pdf

Table of Contents Volvo Tamd 75 Manual

1. Understanding the eBook Volvo Tamd 75 Manual

- The Rise of Digital Reading Volvo Tamd 75 Manual
- Advantages of eBooks Over Traditional Books
- 2. Identifying Volvo Tamd 75 Manual
 - Exploring Different Genres
 - Considering Fiction vs. Non-Fiction
 - Determining Your Reading Goals
- 3. Choosing the Right eBook Platform
 - Popular eBook Platforms
 - Features to Look for in an Volvo Tamd 75 Manual
 - User-Friendly Interface
- 4. Exploring eBook Recommendations from Volvo Tamd 75 Manual
 - Personalized Recommendations
 - Volvo Tamd 75 Manual User Reviews and Ratings
 - Volvo Tamd 75 Manual and Bestseller Lists
- 5. Accessing Volvo Tamd 75 Manual Free and Paid eBooks
 - Volvo Tamd 75 Manual Public Domain eBooks
 - Volvo Tamd 75 Manual eBook Subscription Services
 - Volvo Tamd 75 Manual Budget-Friendly Options
- 6. Navigating Volvo Tamd 75 Manual eBook Formats
 - ePub, PDF, MOBI, and More
 - Volvo Tamd 75 Manual Compatibility with Devices
 - Volvo Tamd 75 Manual Enhanced eBook Features
- 7. Enhancing Your Reading Experience
 - Adjustable Fonts and Text Sizes of Volvo Tamd 75 Manual
 - Highlighting and Note-Taking Volvo Tamd 75 Manual
 - Interactive Elements Volvo Tamd 75 Manual
- 8. Staying Engaged with Volvo Tamd 75 Manual
 - Joining Online Reading Communities
 - Participating in Virtual Book Clubs
 - Following Authors and Publishers Volvo Tamd 75 Manual

9. Balancing eBooks and Physical Books Volvo Tamd 75 Manual
 - Benefits of a Digital Library
 - Creating a Diverse Reading Collection Volvo Tamd 75 Manual
10. Overcoming Reading Challenges
 - Dealing with Digital Eye Strain
 - Minimizing Distractions
 - Managing Screen Time
11. Cultivating a Reading Routine Volvo Tamd 75 Manual
 - Setting Reading Goals Volvo Tamd 75 Manual
 - Carving Out Dedicated Reading Time
12. Sourcing Reliable Information of Volvo Tamd 75 Manual
 - Fact-Checking eBook Content of Volvo Tamd 75 Manual
 - Distinguishing Credible Sources
13. Promoting Lifelong Learning
 - Utilizing eBooks for Skill Development
 - Exploring Educational eBooks
14. Embracing eBook Trends
 - Integration of Multimedia Elements
 - Interactive and Gamified eBooks

Volvo Tamd 75 Manual Introduction

In the digital age, access to information has become easier than ever before. The ability to download Volvo Tamd 75 Manual has revolutionized the way we consume written content. Whether you are a student looking for course material, an avid reader searching for your next favorite book, or a professional seeking research papers, the option to download Volvo Tamd 75 Manual has opened up a world of possibilities. Downloading Volvo Tamd 75 Manual provides numerous advantages over physical copies of books and documents. Firstly, it is incredibly convenient. Gone are the days of carrying around heavy textbooks or bulky folders filled with papers. With the click of a button, you can gain immediate access to valuable resources on any device. This convenience allows for efficient studying, researching, and reading on the go. Moreover, the cost-effective nature of downloading Volvo Tamd 75 Manual has democratized knowledge. Traditional books and academic journals can be expensive, making it difficult for individuals with limited financial resources to access information. By

offering free PDF downloads, publishers and authors are enabling a wider audience to benefit from their work. This inclusivity promotes equal opportunities for learning and personal growth. There are numerous websites and platforms where individuals can download Volvo Tamd 75 Manual. These websites range from academic databases offering research papers and journals to online libraries with an expansive collection of books from various genres. Many authors and publishers also upload their work to specific websites, granting readers access to their content without any charge. These platforms not only provide access to existing literature but also serve as an excellent platform for undiscovered authors to share their work with the world. However, it is essential to be cautious while downloading Volvo Tamd 75 Manual. Some websites may offer pirated or illegally obtained copies of copyrighted material. Engaging in such activities not only violates copyright laws but also undermines the efforts of authors, publishers, and researchers. To ensure ethical downloading, it is advisable to utilize reputable websites that prioritize the legal distribution of content. When downloading Volvo Tamd 75 Manual, users should also consider the potential security risks associated with online platforms. Malicious actors may exploit vulnerabilities in unprotected websites to distribute malware or steal personal information. To protect themselves, individuals should ensure their devices have reliable antivirus software installed and validate the legitimacy of the websites they are downloading from. In conclusion, the ability to download Volvo Tamd 75 Manual has transformed the way we access information. With the convenience, cost-effectiveness, and accessibility it offers, free PDF downloads have become a popular choice for students, researchers, and book lovers worldwide. However, it is crucial to engage in ethical downloading practices and prioritize personal security when utilizing online platforms. By doing so, individuals can make the most of the vast array of free PDF resources available and embark on a journey of continuous learning and intellectual growth.

FAQs About Volvo Tamd 75 Manual Books

1. Where can I buy Volvo Tamd 75 Manual books? Bookstores: Physical bookstores like Barnes & Noble, Waterstones, and independent local stores. Online Retailers: Amazon, Book Depository, and various online bookstores offer a wide range of books in physical and digital formats.
2. What are the different book formats available? Hardcover: Sturdy and durable, usually more expensive. Paperback: Cheaper, lighter, and more portable than hardcovers. E-books: Digital books available for e-readers like Kindle or software like Apple Books, Kindle, and Google Play Books.
3. How do I choose a Volvo Tamd 75 Manual book to read? Genres: Consider the genre you enjoy (fiction, non-fiction, mystery, sci-fi, etc.). Recommendations: Ask friends, join book clubs, or explore online reviews and recommendations.

Author: If you like a particular author, you might enjoy more of their work.

4. How do I take care of Volvo Tamd 75 Manual books? Storage: Keep them away from direct sunlight and in a dry environment. Handling: Avoid folding pages, use bookmarks, and handle them with clean hands. Cleaning: Gently dust the covers and pages occasionally.
5. Can I borrow books without buying them? Public Libraries: Local libraries offer a wide range of books for borrowing. Book Swaps: Community book exchanges or online platforms where people exchange books.
6. How can I track my reading progress or manage my book collection? Book Tracking Apps: Goodreads, LibraryThing, and Book Catalogue are popular apps for tracking your reading progress and managing book collections. Spreadsheets: You can create your own spreadsheet to track books read, ratings, and other details.
7. What are Volvo Tamd 75 Manual audiobooks, and where can I find them? Audiobooks: Audio recordings of books, perfect for listening while commuting or multitasking. Platforms: Audible, LibriVox, and Google Play Books offer a wide selection of audiobooks.
8. How do I support authors or the book industry? Buy Books: Purchase books from authors or independent bookstores. Reviews: Leave reviews on platforms like Goodreads or Amazon. Promotion: Share your favorite books on social media or recommend them to friends.
9. Are there book clubs or reading communities I can join? Local Clubs: Check for local book clubs in libraries or community centers. Online Communities: Platforms like Goodreads have virtual book clubs and discussion groups.
10. Can I read Volvo Tamd 75 Manual books for free? Public Domain Books: Many classic books are available for free as they're in the public domain. Free E-books: Some websites offer free e-books legally, like Project Gutenberg or Open Library.

Find Volvo Tamd 75 Manual :

[tuck everlasting study guide answers for teachers](#)

[truth and bright water](#)

[trx user manual](#)

[trxfm420 manual](#)

[tt33 tokarev manual](#)

[tshoot lab manual answers](#)

true blue and carreras bride long tall texans

true son of heaven how jesus fulfills the chinese culture

truck mounted manitou service manual

tuff stuff muscle 4 exercise manual

tunneliikku helena tornberg

tte7 14 tandberg manual

tuesday july 31 1979

trx basic manuals

tuck everlasting summer guide

Volvo Tamd 75 Manual :

business forecasting by john e hanke open library - Sep 22 2022

web by hanke john e 1940 reitsch arthur g 1938 joint author publication date 1981 topics business forecasting publisher boston allyn and bacon collection

business forecasting john e hanke arthur g reitsch - Jan 27 2023

web business forecasting john e hanke eastern washington university emeritus dean w wichern texas a m university emeritus avp executive editor mark pfaltzgraff

business forecasting john e hanke dean w wichern - Apr 29 2023

web description for undergraduate and graduate courses in business forecasting written in a simple straightforward style
business forecasting presents basic statistical

business forecasting hanke john e 1940 free download - Jun 19 2022

web john e hanke and dean w wichern business forecasting 8th edition pearson prentice hall new jersey 2005 isbn 0 13 122856 0 softcover software enclosed

business forecasting john e hanke dean w wichern opac - Mar 17 2022

web introduction to forecasting 2 a review of basic statistical concepts 3 exploring data patterns and choosing a forecasting technique 4 moving averages and smoothing methods 5 time series and their components 6 simple linear regression 7 multiple regression analysis 8 regression with time series data 9

business forecasting by john e hanke goodreads - Dec 26 2022

web synopsis about this title about this edition for undergraduate and graduate courses in business forecasting written in a simple straightforward style business

business forecasting hanke john wichern dean - Oct 24 2022

web aug 18 2010 october 22 2008 created by importbot imported from library of congress marc record business forecasting by john e hanke dean wichern 2009

hanke and greenwood reply on the money supply wsj - Oct 12 2021

wall street loves hiring from class teaching buffett style - Aug 10 2021

john e hanke and dean w wichern business forecasting 8th - Apr 17 2022

web john hanke dean wichern book details table of contents citations about this book for undergraduate and graduate courses in business forecasting written in a simple

business forecasting hanke john e wichern dean w - Dec 14 2021

web 04 nov 2023 01 22am new york hedge fund jat capital urged the board of internet retailer overstock com to replace the company s chief executive officer arguing that

business forecasting pearson - Oct 04 2023

web jul 14 2021 introduction to operations management business forecasting i m a student i m an educator business forecasting 9th edition published by pearson july 13

business forecasting by john e hanke open library - Aug 22 2022

web business forecasting by hanke john e 1940 publication date 1995 topics business forecasting publisher englewood cliffs nj prentice hall collection inlibrary printdisabled internetarchivebooks contributor internet archive language english xvii 606 p 25 cm includes bibliographical references and index

business forecasting hanke john e 1940 free download - Jul 21 2022

web find all the study resources for business forecasting by hanke john e wichern dean w skip to main content university high school books ask ai sign in guest user add

business forecasting john e hanke dean w wichern - Aug 02 2023

web john e hanke dean w wichern pearson educación 2005 business forecasting 535 pages this top selling book presents in a straightforward application driven manner

business forecasting hanke john e wichern dean w studocu - May 19 2022

web title business forecasting john e hanke dean w wichern author hanke john e wichern dean w publisher new jersey pearson prentice hall 2009 subject

pdf business forecasting by john hanke ebook perlego - Feb 13 2022

web introduction to forecasting john e hanke dean wichern 1 2 exploring data patterns and an introduction to forecasting

techniques john e hanke dean wichern 15 3 moving
hedge fund jat calls on overstock com to replace ceo filing - Sep 10 2021

business forecasting jordan david f - Jan 15 2022

web oct 31 2023 mr stauffer states that we ignore the existence of a banking system that is awash in liquidity with about 3 4 trillion in excess reserves and that these excess

business forecasting hanke john wichern dean - Jul 01 2023

web feb 12 2014 john e hanke eastern washington university emeritus dean w wichern texas a m university in the first eight editions the computer was recognized as a

business forecasting hayek - Nov 24 2022

web aug 20 2020 business forecasting by john e hanke dean wichern 2008 pearson education limited edition in english

business forecasting john e hanke arthur g reitsch - Feb 25 2023

web john e hanke arthur g reitsch allyn and bacon 1989 business forecasting 530 pages this top selling book presents in a straightforward application driven manner

business forecasting ninth edition 1292023007 9781292023007 - Nov 12 2021

web wall street s biggest firms love to hire from a particular college class the professor s focus on teaching his students how to value companies like warren buffett might explain why

business forecasting john e hanke dean w wichern - May 31 2023

web for undergraduate and graduate courses in business forecasting written in a simple straightforward style business forecasting 9th edition presents basic statistical

business forecasting john e hanke 9781292023007 pearson - Mar 29 2023

web this top selling text presents in a straightforward application driven manner the basic statistical techniques that are useful for preparing individual business forecasts and long

business forecasting hanke john wichern dean amazon sg - Sep 03 2023

web for undergraduate and graduate courses in business forecasting written in a simple straightforward style business forecasting 9th edition presents basic statistical

pauline suivi d un parcours sur les ha c roa nes book - Sep 03 2022

web ce recueil d essais situé dans le contexte d échanges franco australiens a pour objet les liens entre images et langage sur le plan du discours l interprétation du visuel fait

download solutions pauline suivi d un parcours sur les ha c - Feb 08 2023

web pauline suivi d un parcours sur les ha c roa nes annual report nov 09 2022 annales des mines dec 10 2022 algeria tableau de la situation des établissements

pauline suivi d un parcours sur les ha c roa nes uniport edu - Jan 27 2022

web jun 30 2023 pauline suivi d un parcours sur les ha c roa nes 1 10 downloaded from uniport edu ng on june 30 2023 by guest pauline suivi d un parcours sur les ha c

pauline suivi d un parcours sur les ha c roa nes uniport edu - Nov 24 2021

web jul 6 2023 pauline suivi d un parcours sur les ha c roa nes 2 14 downloaded from uniport edu ng on july 6 2023 by guest l ingénue À travers cette grande comédie

carline d haene la femme de françois d haene 5e de l ultra - May 31 2022

web jul 23 2018 car désormais dans la famille d haene on peut aussi demander carline cinquième de l ultra tour du beaufortain pour son entrée dans le monde de l ultra

pauline suivi d un parcours sur les ha c roa nes pdf - Aug 02 2022

web 2 pauline suivi d un parcours sur les ha c roa nes 2021 03 09 émouvants burn es out une écrivaine vient parler de sexualité avec les jeunes d un centre social la

pdf pauline suivi d un parcours sur les ha c roa nes - Jul 13 2023

web pauline suivi d un parcours sur les ha c roa nes canada et les cultures de la mondialisation mar 19 2023 corpus reformatorem jul 11 2022 novissima hac

pauline suivi d un parcours sur les ha c roa nes uniport edu - Mar 09 2023

web pauline suivi d un parcours sur les ha c roa nes 2 11 downloaded from uniport edu ng on august 14 2023 by guest les héroïnes romantiques un petit classique numérique

henri caroine wikipédia - Apr 29 2022

web henri caroine né le 7 septembre 1981 est un footballeur international tahitien carrière en 2012 caroine remporte le championnat de polynésie française avec l as dragon peu

pauline suivi d un parcours sur les ha c roa nes pdf - Oct 24 2021

web pauline suivi d un parcours sur les ha c roa nes is available in our book collection an online access to it is set as public so you can download it instantly our digital library

pauline suivi d un parcours sur les ha c roa nes uniport edu - Sep 22 2021

web aug 8 2023 getting the books pauline suivi d un parcours sur les ha c roa nes now is not type of challenging means you could not lonesome going behind books heap or

pauline suivi d un parcours sur les ha c roa nes pdf - Dec 06 2022

web aug 3 2023 pauline suivi d un parcours sur les ha c roa nes 2 12 downloaded from uniport edu ng on august 3 2023 by guest siècle le dossier toutes les ressources

méthode du parcours traceur haute autorité de santé - Mar 29 2022

web du parcours traceur Évaluation de la continuité et de la coordination de la prise en charge des patients du travail en équipe et de la culture qualité et sécurité au cours

pauline suivi d un parcours sur les ha c roa nes - Jan 07 2023

web pauline suivi d un parcours sur les ha c roa nes communications dec 20 2020 spectroscopy jul 27 2021 diary of the beloved book one jun 25 2021 at 13 years

pauline suivi d un parcours sur les ha c roa nes - Aug 14 2023

web pauline suivi d un parcours sur les ha c roa nes 100 ha c roa nes de l histoire help environment harvard edu feb 27 2022

web 100 ha c roa nes de l histoire automated

pauline suivi d un parcours sur les ha c roa nes copy - Dec 26 2021

web may 23 2023 pauline suivi d un parcours sur les ha c roa nes 1 9 downloaded from uniport edu ng on may 23 2023 by guest pauline suivi d un parcours sur les ha c

pauline suivi d un parcours sur les ha c roa nes 2023 - Nov 05 2022

web pauline suivi d un parcours sur les ha c roa nes right here we have countless books pauline suivi d un parcours sur les ha c roa nes and collections to check out we

pauline suivi d un parcours sur les ha c roa nes full pdf - Jun 12 2023

web etude qualitative sur les déterminants du parcours et le vécu de l interruption volontaire de grossesse par voie chirurgicale impact des traitements de stimulation ovarienne

pauline suivi d un parcours sur les ha c roa nes pdf - May 11 2023

web pauline suivi d un parcours sur les ha c roa nes when somebody should go to the ebook stores search initiation by shop shelf by shelf it is really problematic this is why

pauline suivi d un parcours sur les ha c roa nes copy - Jul 01 2022

web apr 5 2023 pauline suivi d un parcours sur les ha c roa nes is available in our book collection an online access to it is set as public so you can download it instantly our

fiche de carline d haene trail05 - Feb 25 2022

web oct 4 2015 aucun problème il suffit simplement de nous envoyer un fichier word ou openoffice nous nous réservons le droit de refuser certains articles s ils sont trop

pauline suivi d un parcours sur les ha c roa nes 2022 - Apr 10 2023

web pauline suivi d un parcours sur les ha c roa nes 3 3 confrontation avec la grande question qui vaille la seule question qui vaille qu est ce que la littérature cette

pauline suivi d un parcours sur les ha c roa nes jbedssofa - Oct 04 2022

web 2 pauline suivi d un parcours sur les ha c roa nes 2023 06 12 commun de se situer à la croisée des langues dans un contexte de relations conflictuelles ou tout au

poe s short stories the tell tale heart sparknotes - Jan 13 2023

web poe s short stories the pit and the pendulum sparknotes looking for exclusive start your 7 day free trial now poe s short stories edgar allan poe study guide full

poe s short stories edgar allan poe and poe s short stories - Jul 07 2022

web course of guides you could enjoy now is poe s short stories sparknotes literature study g below the house of the spirits isabel allende 2015 12 15 the trueba family

poe s short stories sparknotes - Nov 30 2021

web in this detective story poe introduces the brilliant sleuth c auguste dupin when the paris police arbitrarily arrest dupin s friend for the gruesome murders of a mother and

poe s short stories character list sparknotes - May 17 2023

web analysis poe uses his words economically in the tell tale heart it is one of his shortest stories to provide a study of paranoia and mental deterioration poe strips the story of

poe s stories study guide literature guide litcharts - Jul 19 2023

web aug 12 2014 poe s short stories sparknotes literature guide by edgar allan poe making the reading experience fun created by harvard students for students

[poe s short stories sparknotes literature study g ernest](#) - Apr 04 2022

web aug 26 2023 poe s otherworldly narrative could easily fall in the same category as the sea voyages and tribulations described by later authors such as herman melville and joseph

poe s short stories the black cat 1843 summary analysis - Mar 15 2023

web who would dare the thief said g is the minister d who dares all things those unbecoming as well as those becoming a man the method of the theft was not less

poe s short stories the purloined letter sparknotes - Feb 14 2023

web poe s short stories edgar allan poe study guide full text mastery quizzes plus flashcards plus full text the tell tale heart true nervous very very

poe s short stories sparknotes literature guides by edgar - Oct 10 2022

web nov 12 2022 take a quiz about the important details and events in overview of poe s short stories

poe s short stories suggestions for further reading sparknotes - Jan 01 2022

web poe s short stories the purloined letter 1844 quiz quick quiz sparknotes study guide full text mastery quizzes flashcards quick quizzes the purloined letter

poe s short stories study guide sparknotes - Sep 21 2023

web eleven of poe s short stories are discussed here they are ms found in a bottle ligeia the fall of the house of usher william wilson the murders in the rue

poe s short stories sparklet story summaries sparknotes - Feb 02 2022

web a suggested list of literary criticism on edgar allan poe s poe s short stories the listed critical essays and books will be invaluable for writing essays and papers on poe s short

poe s short stories summary and analysis of the purloined letter - Nov 11 2022

web read 270 reviews from the world s largest community for readers spark publishing s literature guides are celebrating their 5th anniversary to celebrate

poe s short stories sparknotes - Apr 16 2023

web a summary of the black cat 1843 in edgar allan poe s poe s short stories learn exactly what happened in this chapter scene or section of poe s short stories and

poe s short stories sparknotes literature guide scribd - Jun 18 2023

web poe s short stories character list sparknotes sparkplus20 see poe s short stories edgar allan poe study guide full book summary key facts characters

poe s short stories sparknotes literature study g - Jun 06 2022

web further research edward allan poe and poe s short stories background edgar joe poe was native for january 19 1809 the died on october 7 1849 includes his storming forty

poe s short stories full collection summary sparknotes - Oct 30 2021

poe s short stories overview quiz quick quiz sparknotes - Sep 09 2022

web poe s otherworldly narrative could easily fall in the same category as the sea voyages and tribulations described by later authors such as herman melville and joseph conrad

poe s short stories sparknotes literature study g pdf uniport edu - Mar 03 2022

web poe s short stories study guide full text mastery quizzes flashcards literary devices quotes summary sparklet story summaries ms found in a bottle 1833

[poe s short stories sparknotes literature study g db csda](#) - Aug 08 2022

web poe america s foremost south writer before william faulkner generated a gothic ethos from his own experiences in virginia and other slaveholding territories and the black real

poe s short stories the pit and the pendulum sparknotes - Dec 12 2022

web poe s short stories study guide contains a biography of edgar poe literature essays quiz questions major themes characters and a full summary and analysis best

poe s short stories edgar allan poe and poe s short stories - May 05 2022

web poe 2020 08 01 the black cat is a short story by edgar allan poe it was first published in the august 19 1843 edition of the saturday evening post it is a study of the

[poe s short stories sparknotes](#) - Aug 20 2023

web a summary of the purloined letter 1844 in edgar allan poe s poe s short stories learn exactly what happened in this chapter scene or section of poe s short stories