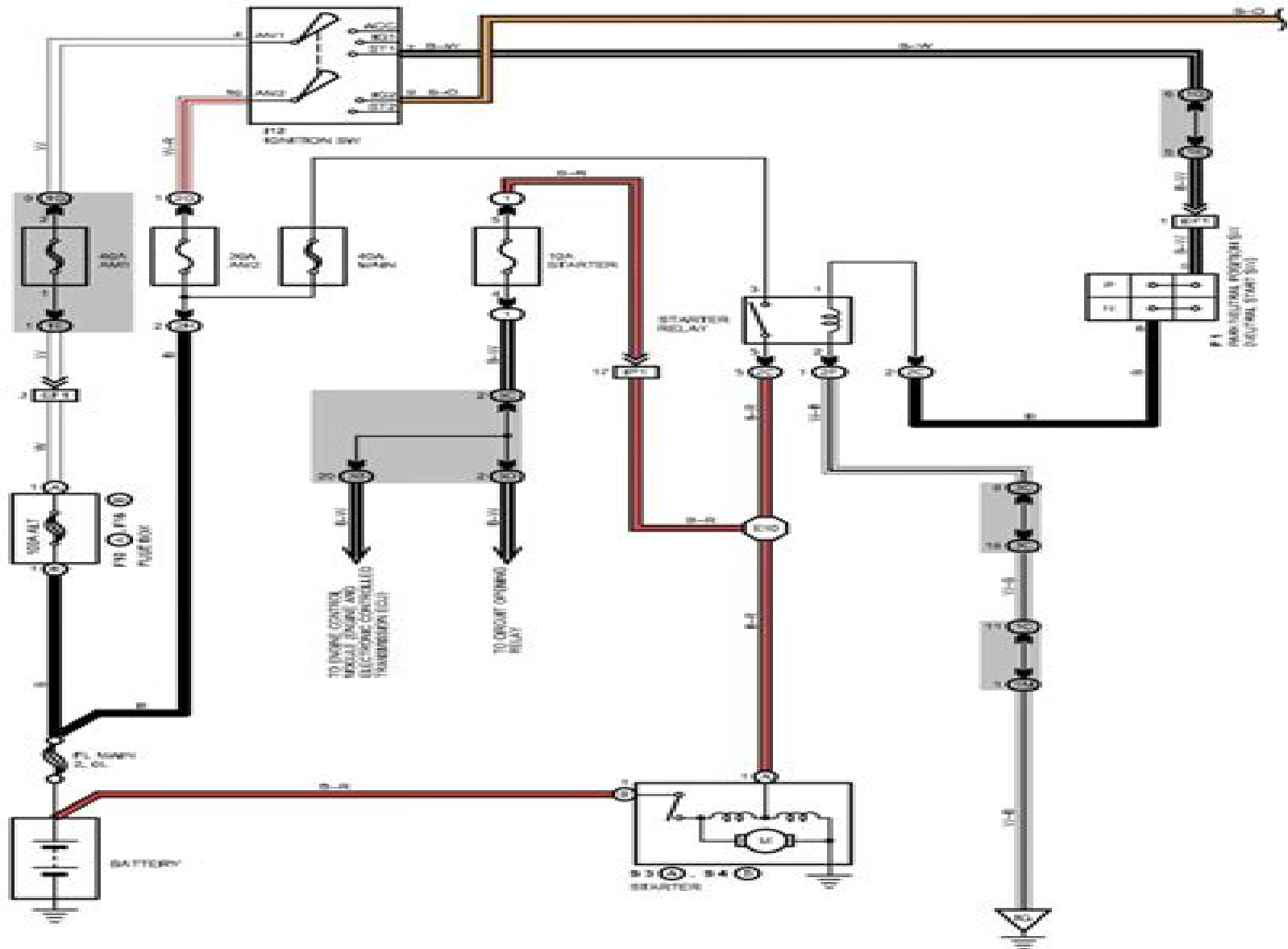


STARTING AND IGNITION (1MZ-FE)



Wiring Diagram For 92 Toyota Camry

**Reed Reference Publishing, R5ference
Reed**

Wiring Diagram For 92 Toyota Camry:

Technical Support to the National Highway Traffic Safety Administration (NHTSA) on the Reported Toyota Motor Corporation (TMC) Unintended Acceleration (UA) Investigation , *Toyota Electrical Wiring Diagram Supplement* ,1989
Books in Print ,1994 **1983 Imported Cars & Trucks Tune-up Mechanical Service & Repair** Mitchell Manuals, inc,1984 *Toyota Electrical Wiring Diagram* ,1987 **Gale's Auto Sourcebook** ,1992 Guide to information on cars and light trucks **Subject Guide to Children's Books in Print 1997** Bowker Editorial Staff,R R Bowker Publishing,1996-09
Toyota Camry Electrical Wiring Diagram Toyota Jidōsha Kabushiki Kaisha,19?? **Subject Guide to Books in Print** ,1997 Paperbound Books in Print ,1992 **Boyce's Wiring Diagram Manual: Toyota, Camry SXV20R 2.2L 97-02, Camry MCV20R 97-202** ,2001 **Paperbound Books in Print 1995** Reed Reference Publishing,R5ference Reed,1995-12 *Toyota Camry Electrical Wiring Diagram, 1984 Model* ,1984 **Toyota Camry Electrical Wiring Diagram** ,1987 **Toyota Camry Electrical Wiring Diagram, 1983 Model** ,1984 **Supercharging, Turbocharging and Nitrous Oxide Performance** Earl Davis, **Toyota Camry Electrical Wiring Diagram** ,1997 **Popular Science** ,1950 Automotive Industries ,1996 **Toyota Camry Wagon Electrical Wiring Diagram** ,1998

Recognizing the habit ways to get this book **Wiring Diagram For 92 Toyota Camry** is additionally useful. You have remained in right site to begin getting this info. acquire the Wiring Diagram For 92 Toyota Camry associate that we give here and check out the link.

You could buy guide Wiring Diagram For 92 Toyota Camry or get it as soon as feasible. You could speedily download this Wiring Diagram For 92 Toyota Camry after getting deal. So, subsequent to you require the books swiftly, you can straight acquire it. Its hence very simple and fittingly fats, isnt it? You have to favor to in this atmosphere

<https://ftp.barnabastoday.com/public/scholarship/fetch.php/xbox%20360%20elite%20120gb%20manual.pdf>

Table of Contents Wiring Diagram For 92 Toyota Camry

1. Understanding the eBook Wiring Diagram For 92 Toyota Camry
 - The Rise of Digital Reading Wiring Diagram For 92 Toyota Camry
 - Advantages of eBooks Over Traditional Books
2. Identifying Wiring Diagram For 92 Toyota Camry
 - Exploring Different Genres
 - Considering Fiction vs. Non-Fiction
 - Determining Your Reading Goals
3. Choosing the Right eBook Platform
 - Popular eBook Platforms
 - Features to Look for in an Wiring Diagram For 92 Toyota Camry
 - User-Friendly Interface
4. Exploring eBook Recommendations from Wiring Diagram For 92 Toyota Camry
 - Personalized Recommendations
 - Wiring Diagram For 92 Toyota Camry User Reviews and Ratings
 - Wiring Diagram For 92 Toyota Camry and Bestseller Lists
5. Accessing Wiring Diagram For 92 Toyota Camry Free and Paid eBooks

- Wiring Diagram For 92 Toyota Camry Public Domain eBooks
 - Wiring Diagram For 92 Toyota Camry eBook Subscription Services
 - Wiring Diagram For 92 Toyota Camry Budget-Friendly Options
6. Navigating Wiring Diagram For 92 Toyota Camry eBook Formats
 - ePub, PDF, MOBI, and More
 - Wiring Diagram For 92 Toyota Camry Compatibility with Devices
 - Wiring Diagram For 92 Toyota Camry Enhanced eBook Features
 7. Enhancing Your Reading Experience
 - Adjustable Fonts and Text Sizes of Wiring Diagram For 92 Toyota Camry
 - Highlighting and Note-Taking Wiring Diagram For 92 Toyota Camry
 - Interactive Elements Wiring Diagram For 92 Toyota Camry
 8. Staying Engaged with Wiring Diagram For 92 Toyota Camry
 - Joining Online Reading Communities
 - Participating in Virtual Book Clubs
 - Following Authors and Publishers Wiring Diagram For 92 Toyota Camry
 9. Balancing eBooks and Physical Books Wiring Diagram For 92 Toyota Camry
 - Benefits of a Digital Library
 - Creating a Diverse Reading Collection Wiring Diagram For 92 Toyota Camry
 10. Overcoming Reading Challenges
 - Dealing with Digital Eye Strain
 - Minimizing Distractions
 - Managing Screen Time
 11. Cultivating a Reading Routine Wiring Diagram For 92 Toyota Camry
 - Setting Reading Goals Wiring Diagram For 92 Toyota Camry
 - Carving Out Dedicated Reading Time
 12. Sourcing Reliable Information of Wiring Diagram For 92 Toyota Camry
 - Fact-Checking eBook Content of Wiring Diagram For 92 Toyota Camry
 - Distinguishing Credible Sources
 13. Promoting Lifelong Learning
 - Utilizing eBooks for Skill Development

- Exploring Educational eBooks
- 14. Embracing eBook Trends
 - Integration of Multimedia Elements
 - Interactive and Gamified eBooks

Wiring Diagram For 92 Toyota Camry Introduction

In the digital age, access to information has become easier than ever before. The ability to download Wiring Diagram For 92 Toyota Camry has revolutionized the way we consume written content. Whether you are a student looking for course material, an avid reader searching for your next favorite book, or a professional seeking research papers, the option to download Wiring Diagram For 92 Toyota Camry has opened up a world of possibilities. Downloading Wiring Diagram For 92 Toyota Camry provides numerous advantages over physical copies of books and documents. Firstly, it is incredibly convenient. Gone are the days of carrying around heavy textbooks or bulky folders filled with papers. With the click of a button, you can gain immediate access to valuable resources on any device. This convenience allows for efficient studying, researching, and reading on the go. Moreover, the cost-effective nature of downloading Wiring Diagram For 92 Toyota Camry has democratized knowledge. Traditional books and academic journals can be expensive, making it difficult for individuals with limited financial resources to access information. By offering free PDF downloads, publishers and authors are enabling a wider audience to benefit from their work. This inclusivity promotes equal opportunities for learning and personal growth. There are numerous websites and platforms where individuals can download Wiring Diagram For 92 Toyota Camry. These websites range from academic databases offering research papers and journals to online libraries with an expansive collection of books from various genres. Many authors and publishers also upload their work to specific websites, granting readers access to their content without any charge. These platforms not only provide access to existing literature but also serve as an excellent platform for undiscovered authors to share their work with the world. However, it is essential to be cautious while downloading Wiring Diagram For 92 Toyota Camry. Some websites may offer pirated or illegally obtained copies of copyrighted material. Engaging in such activities not only violates copyright laws but also undermines the efforts of authors, publishers, and researchers. To ensure ethical downloading, it is advisable to utilize reputable websites that prioritize the legal distribution of content. When downloading Wiring Diagram For 92 Toyota Camry, users should also consider the potential security risks associated with online platforms. Malicious actors may exploit vulnerabilities in unprotected websites to distribute malware or steal personal information. To protect themselves, individuals should ensure their devices have reliable antivirus software installed and validate the legitimacy of the websites they are downloading from. In conclusion, the ability to download Wiring Diagram For 92 Toyota Camry has transformed the way we access information.

With the convenience, cost-effectiveness, and accessibility it offers, free PDF downloads have become a popular choice for students, researchers, and book lovers worldwide. However, it is crucial to engage in ethical downloading practices and prioritize personal security when utilizing online platforms. By doing so, individuals can make the most of the vast array of free PDF resources available and embark on a journey of continuous learning and intellectual growth.

FAQs About Wiring Diagram For 92 Toyota Camry Books

1. Where can I buy Wiring Diagram For 92 Toyota Camry books? Bookstores: Physical bookstores like Barnes & Noble, Waterstones, and independent local stores. Online Retailers: Amazon, Book Depository, and various online bookstores offer a wide range of books in physical and digital formats.
2. What are the different book formats available? Hardcover: Sturdy and durable, usually more expensive. Paperback: Cheaper, lighter, and more portable than hardcovers. E-books: Digital books available for e-readers like Kindle or software like Apple Books, Kindle, and Google Play Books.
3. How do I choose a Wiring Diagram For 92 Toyota Camry book to read? Genres: Consider the genre you enjoy (fiction, non-fiction, mystery, sci-fi, etc.). Recommendations: Ask friends, join book clubs, or explore online reviews and recommendations. Author: If you like a particular author, you might enjoy more of their work.
4. How do I take care of Wiring Diagram For 92 Toyota Camry books? Storage: Keep them away from direct sunlight and in a dry environment. Handling: Avoid folding pages, use bookmarks, and handle them with clean hands. Cleaning: Gently dust the covers and pages occasionally.
5. Can I borrow books without buying them? Public Libraries: Local libraries offer a wide range of books for borrowing. Book Swaps: Community book exchanges or online platforms where people exchange books.
6. How can I track my reading progress or manage my book collection? Book Tracking Apps: Goodreads, LibraryThing, and Book Catalogue are popular apps for tracking your reading progress and managing book collections. Spreadsheets: You can create your own spreadsheet to track books read, ratings, and other details.
7. What are Wiring Diagram For 92 Toyota Camry audiobooks, and where can I find them? Audiobooks: Audio recordings of books, perfect for listening while commuting or multitasking. Platforms: Audible, LibriVox, and Google Play Books offer a wide selection of audiobooks.
8. How do I support authors or the book industry? Buy Books: Purchase books from authors or independent bookstores. Reviews: Leave reviews on platforms like Goodreads or Amazon. Promotion: Share your favorite books on social media

or recommend them to friends.

9. Are there book clubs or reading communities I can join? Local Clubs: Check for local book clubs in libraries or community centers. Online Communities: Platforms like Goodreads have virtual book clubs and discussion groups.
10. Can I read Wiring Diagram For 92 Toyota Camry books for free? Public Domain Books: Many classic books are available for free as they're in the public domain. Free E-books: Some websites offer free e-books legally, like Project Gutenberg or Open Library.

Find Wiring Diagram For 92 Toyota Camry :

[xbox 360 elite 120gb manual](#)

[xerox 3535 service manual](#)

[wyandotte mi images of america](#)

[writing great screenplays afi writing great screenplays for film and tv](#)

[writing fiction step by step](#)

[xerox 6679 service manual90](#)

[writing for life paragraphs and essays 3rd edition](#)

[wsi water safety study guide answers](#)

[www.vizio.com/support user manual e601i a3](#)

x41e x434 x43d x43e russian ebook

wtec iii troubleshooting manual

x41a x440 x435 x439 russian ebook

x20xev service manual

wunderbare welt nick butterworth

writing the landscape of your mind

Wiring Diagram For 92 Toyota Camry :

vbscript pra c cis concis cyberlab sutd edu sg - Mar 16 2023

web vbscript pra c cis concis the universe of conics aug 07 2023 this text presents the classical theory of conics in a modern form it includes many novel results that are not easily accessible elsewhere the approach combines synthetic and analytic methods to derive projective affine and

[vbscript pra c cis concis rjonline org](#) - Sep 10 2022

web vbscript pra c cis concis vbscript pra c cis concis 2 downloaded from rjonline org on 2023 01 02 by guest advances in computer science which are otherwise largely incomprehensible to researchers from other fields can be effectively translated and capitalized on so as to make them beneficial for society as a whole

vbscript pra c cis concis admin store motogp - Nov 12 2022

web vbscript pra c cis concis 3 3 supervisory and control systems the book examines the unique protocols and applications that are the foundation of industrial control systems and provides clear guidelines for their protection this how to guide gives you thorough understanding of the unique challenges facing critical infrastructures new

vbscript pra c cis concis copy oldcove - Mar 04 2022

web vbscript pra c cis concis vbscript pra c cis concis 2 downloaded from oldcove com on 2019 01 25 by guest cervical degenerative disease the text is divided into sections organized in a clinically strategic manner the initial chapters address the basics of cervical spine anatomy and biomechanics as well as the pathophysiology

[vbscript pra c cis concis pantera adecco](#) - Oct 11 2022

web 2 vbscript pra c cis concis 2023 08 14 guide exam cas 003 third edition is the preparation resource you need to take the next big step for your career and pass with flying colors the theory and practice of industrial pharmacy springer nature computer communications is one of the most rapidly developing technologies and

vbscript précis concis by childs orientation sutd edu sg - Jun 19 2023

web vbscript précis concis by childs vbscript précis concis by childs le magazine de developpez 4 2 acind h2 p idth0 amp justifyp php books spinics net le magazine de developpez april 26th 2020 les rédacteurs de developpez n 64 avril juin 2018 la rédaction vous présente ce nouveau numéro du magazine dans lequel vous retrouverez

[how to program with vbscript 3 steps with pictures wikihow](#) - Apr 05 2022

web nov 14 2021 learn some basic vbscript practices there are several important basics that it will be helpful to know before you dive too deep into coding use apostrophe to designate a comment any line that starts with an apostrophe is designated as a comment and is not processed by the script

vbscript pra c cis concis admin store motogp - Jan 14 2023

web 2 vbscript pra c cis concis 2022 03 03 vbscript pra c cis concis downloaded from admin store motogp com by guest marshall elsa practical chemoinformatics syngress originally published in 1949 and appearing now for the first time in a paperbound edition buck s dictionary remains an indispensable tool for diachronic analysis of the indo

vbscript précis concis by childs jetpack theaoi - Aug 09 2022

web vbscript précis concis by childs vbscript précis concis by childs 4 2 acind h2 p idth0 amp justifyp le magazine de

developpez php books spinics net thats something that will lead you to grasp even more in the area of the sphere experience particular spots previous period diversion and a lot more

vbscript pra c cis concis pdf uniport edu - Jun 07 2022

web aug 16 2023 vbscript pra c cis concis 1 10 downloaded from uniport edu ng on august 16 2023 by guest vbscript pra c cis concis this is likewise one of the factors by obtaining the soft documents of this vbscript pra c cis concis by online you might not require more mature to spend to go to the books creation as skillfully as search for them

cara memprogram dengan vbscript 3 langkah dengan - Feb 03 2022

web 1 dapatkan editor kode yang baik anda bisa menggunakan notepad tetapi editor yang lebih bagus akan membuat anda bisa melihat sintaksis kode vbscript dengan lebih mudah 2 pasang internet explorer internet explorer adalah satu satunya peramban browser yang mendukung vbscript karena vbscript adalah produk microsoft yang dipatenkan

vbscript tutorial online tutorials library - Jul 08 2022

web vbscript tutorial microsoft vbscript visual basic script is a general purpose lightweight and active scripting language developed by microsoft that is modeled on visual basic nowadays vbscript is the primary scripting language for quick test professional qtp which is a test automation tool this tutorial will teach you how to use

vbscript pra c cis concis pdf 2023 support ortax - Jul 20 2023

web vbscript pra c cis concis pdf introduction vbscript pra c cis concis pdf 2023 title vbscript pra c cis concis pdf 2023 support ortax org created date 9 19 2023 9 44 49 pm

[vbscript pra c cis concis pdf pdf support ortax](#) - Sep 22 2023

web introduction vbscript pra c cis concis pdf pdf activex vbscript paul lomax 1997 vbscript wmi and adsi unleashed using vbscript wmi and adsi to automate windows administration 2 e jones 2007 09 wsh and vbscript jeffery hicks 2007 04 far more than a mere syntax reference wsh and vbscript core tfm provides detailed

vbscript pra c cis concis pdf uniport edu - Apr 17 2023

web jul 23 2023 vbscript pra c cis concis 2 10 downloaded from uniport edu ng on july 23 2023 by guest to come computer communications and networks john r freer 2012 12 06 computer communications is one of the most rapidly developing technologies and it is a subject with which everyone in the computer systems profession should be familiar

vbscript pra c cis concis pdf uniport edu - Feb 15 2023

web may 31 2023 vbscript pra c cis concis 2 15 downloaded from uniport edu ng on may 31 2023 by guest korean jaehoon yeon 2019 06 25 korean a comprehensive grammar is a reference to korean grammar and presents a thorough overview of the language concentrating on the real patterns of use in modern korean

vbscript pra c cis concis pdf 2023 bukuclone ortax - Aug 21 2023

web vbscript pra c cis concis pdf pages 2 11 vbscript pra c cis concis pdf upload dona p hayda 2 11 downloaded from bukuclone ortax org on september 4 2023 by dona p hayda rob addy 2010 11 19 this book offers practical guidance on delivering and managing it services in an effective and efficient manner by

vbscript précis concis by childs orientation sutd edu - Oct 23 2023

web vbscript précis concis by childs orientation sutd edu sg author justus backhaus orientation sutd edu sg subject vbscript précis concis by childs orientation sutd edu sg keywords 4 2 acind h2 p idth0 amp justifyp php books spinics net

vbscript pra c cis concis uniport edu - Dec 01 2021

web sep 9 2023 vbscript pra c cis concis 2 11 downloaded from uniport edu ng on september 9 2023 by guest technical introduction to computer communications and networks suitable for a practically orientated computer science course at degree level or for an introductory industrial course handbook on knowledge management 1 clyde

what is vbscript introduction examples guru99 - May 06 2022

web oct 28 2023 vb script is a scripting language developed by microsoft it is a light version of microsoft visual basic and the vbscript syntax is very similar to that of visual basic vbscript program needs to be hosted on any of these 3 environments iis internet information server microsoft s own web server software

vbscript pra c cis concis pdf uniport edu - Jan 02 2022

web jun 4 2023 vbscript pra c cis concis 2 10 downloaded from uniport edu ng on june 4 2023 by guest refer to the authoritative and stimulating content again and again for years to come a grammar of oscan and umbrian carl darling buck 2005 07 even after a century buck s grammar of oscan and umbrian is still regarded as the authoritative english

vbscript pra c cis concis pdf web mei - May 18 2023

web vbscript pra c cis concis recognizing the exaggeration ways to acquire this ebook vbscript pra c cis concis is additionally useful you have remained in right site to begin getting this info acquire the vbscript pra c cis concis associate that we come up with the money for here and check out the link you could buy guide vbscript pra c cis

vbscript pra c cis concis copy textra com - Dec 13 2022

web 2 vbscript pra c cis concis 2022 11 19 subsequent chapters outline characteristics of the clinical presentation and the various diagnostic modalities to evaluate these patients key elements involved in the surgical decision making process are covered providing the necessary elements to establish a solid foundation for treatment planning the

edition 5 supernaturalist pdf - Mar 30 2022

web edition 5 supernaturalist pdf edition 5 supernaturalist pdf book review unveiling the magic of language in a digital era where connections and knowledge reign supreme the enchanting power of language has become more apparent than ever

read book edition 5 supernaturalist pdf for free - Sep 04 2022

web apr 2 2023 the edition 5 supernaturalist belong to that we offer here and check out the link you could purchase guide edition 5 supernaturalist or acquire it as soon as feasible you could quickly download this edition 5 supernaturalist after getting deal so subsequently you require the ebook swiftly you can straight get it its

[edition 5 supernaturalist book](#) - Jun 13 2023

web edition 5 supernaturalist reformed dogmatics oct 11 2020 this classic work of reformed theology is the third of four volumes now available in english the concept of realism in literary scholarship sep 09 2020 nineteenth century religious thought in the west volume 1 mar 08 2023

[edition 5 supernaturalist pdf pdf vodica](#) - Jan 08 2023

web jul 30 2023 epoch to download any of our books with this one merely said the edition 5 supernaturalist pdf pdf is universally compatible taking into consideration any devices to read supernatural out of the box lisa macklem 2020 07 31 supernatural is one of the most successful horror tv shows ever providing fifteen seasons of the

edition 5 supernaturalist help environment harvard edu - Aug 03 2022

web it is your categorically own era to piece of legislation reviewing habit in the course of guides you could enjoy now is edition 5 supernaturalist below nineteenth century religious thought in the west volume 1 ninian smart 1988 07 this is the first of a set of three volumes which provide a fresh appraisal of the

the supernaturalist wikipedia - Jul 14 2023

web the supernaturalist is a science fiction cyberpunk novel by irish author eoin colfer the book was influenced by film noir and other predecessors of the cyberpunk science fiction movement colfer has outlined plans for a sequel the supernaturalist 2

[edition 5 supernaturalist droplet1 ardupilot](#) - Apr 30 2022

web jun 8 2023 we reimburse for edition 5 supernaturalist and numerous books assortments from fictions to scientific explorationh in any way by looking the title publisher or authors of tutorial you in indeed want you can uncover them quickly

mortal kombat 1 premium edition release find buy video - Jun 01 2022

web 21 hours ago amazon warner bros games mortal kombat 1 premium edition 109 99 buy now on amazon although this is the 12th installment in the series the game is the second reboot of its timeline and the

[editions of the supernaturalist by eoin colfer goodreads](#) - May 12 2023

web may 1 2004 editions for the supernaturalist 078685149x paperback published in 2005 0786851481 hardcover published in 2004 kindle edition published in 2009 home my books

a 5 year old vanished from a new jersey playground in 2019 a - Nov 06 2022

web 19 hours ago authorities have released a new age progression photo of dulce maria alavez who vanished from a new

jersey playground in 2019 when she was 5 years old september 16 marks the fourth anniversary

editions of the supernaturalist the graphic novel by eoin colfer - Dec 07 2022

web editions for the supernaturalist the graphic novel 0786848790 hardcover published in 2012 0786848804 paperback published in 2012 kindle edition

edition 5 supernaturalist help discoveram - Feb 26 2022

web edition 5 supernaturalist thats something that will lead you to cognize even more in the territory of the sphere wisdom some places past era entertainment and a lot more

edition 5 supernaturalist pdf pdf blueskywildlife com - Mar 10 2023

web apr 22 2023 evaluation edition 5 supernaturalist pdf what you when to read the cambridge companion to christianity and the environment alexander j b hampton 2022 08 04 how one of the world s most important religions christianity shaped one of the important issues of our time the environment the historical jesus quest gregory w

supernatural season 5 wikipedia - Dec 27 2021

web the fifth season of supernatural an american dark fantasy television series created by eric kripke premiered september 10 2009 and concluded on may 13 2010 on the cw season five regular cast members include jared padalecki jensen ackles and misha collins who was promoted to series regular this season after the conclusion of this

edition 5 supernaturalist pdf hipertexto - Oct 05 2022

web edition 5 supernaturalist book freewebmasterhelp com web cosmo realizes he must get away and escapes with the help of the supernaturalists a group of kids who have the same special abilities as cosmo they can see supernatural

the supernaturalist the graphic novel by eoin colfer andrew - Feb 09 2023

web the supernaturalist the graphic novel by eoin colfer andrew donkin paperback 2012 for sale online ebay skip to main content

edition 5 supernaturalist design shadowera com - Jan 28 2022

web edition 5 supernaturalist 1 edition 5 supernaturalist getting the books edition 5 supernaturalist now is not type of inspiring means you could not and no one else going as soon as books accretion or library or borrowing from your connections to contact them this is an completely simple means to specifically get lead by on line

access free edition 5 supernaturalist free download pdf - Apr 11 2023

web edition 5 supernaturalist link that we present here and check out the link you could buy guide edition 5 supernaturalist or acquire it as soon as feasible you could speedily download this edition 5 supernaturalist after getting deal so when you require the book swiftly you can straight get it its for that reason definitely simple and

supernatural 5 sezon wikipe di - Jul 02 2022

web supernatural 5 sezon supernatural in beşinci sezonu 10 eylül 2009 da başlayıp 13 mayıs 2010 günü sona ermiştir jared padalecki jensen ackles ve misha collins dışında mark pellegrino sezon sonunda cehennemden azat edilmiş lucifer rolünü oynar paris hilton 5 sezonun 5 bölümünde konuk oyuncu olarak dizide yer alır

[download ebook edition 5 supernaturalist pdf file free](#) - Aug 15 2023

web edition 5 supernaturalist that we will totally offer it is not approximately the costs its nearly what you habit currently this edition 5 supernaturalist as one of the most keen sellers here will entirely be in the middle of the best options to review this is likewise one of the factors by obtaining the soft

[la chica de la nariz torcida muerte y obsesión en la vida de un](#) - Oct 05 2022

web todo empezó cuando frank bender siendo estudiante de arte entró en una sala de autopsias y al ver el cadáver de una mujer con tres balazos en el cráneo sintió que sería capaz de dibujar su rostro tal como era antes de haber sido desfigurado

[la chica de la nariz torcida muerte y obsesión en la vida de un](#) - Jan 28 2022

web jun 14 2023 henry newman pdf el hombre de la nariz torcida babelia el país chica de la nariz torcida la muerte y obsesion en la descargar evaluación de la aptitud física y prescripción download la chica de la nariz torcida muerte y obsesión la chica de la nariz torcida muerte y obsesión en la vida la

[la chica de la nariz torcida muerte y obsesion en la vida de un](#) - Aug 15 2023

web sinopsis de la chica de la nariz torcida muerte y obsesion en la vida de un escultor forense todo empezó cuando frank bender siendo estudiante de arte entró en una sala de autopsias y al ver el cadáver de una mujer con tres balazos en el cráneo sintió que sería capaz de dibujar su rostro tal como era antes de haber sido

la chica de la nariz torcida muerte y obsesión en la vida de un - Apr 11 2023

web la chica de la nariz torcida muerte y obsesión en la vida de un escultor forense oscura de botha ted en iberlibro com isbn 10 8484284565 isbn 13 9788484284567 alba editorial 2009 tapa blanda

[la chica de la nariz torcida muerte y obsesión en la vida de un](#) - Aug 03 2022

web la chica de la nariz torcida muerte y obsesión en la vida de un escultor forense ted botha tr ismael attrache por botha ted colaborador es attrache ismael tr tipo de material texto idioma español lenguaje original inglés series trayectos 6 detalles de publicación barcelona alba 2009 edición 1a ed descripción

la app para los amantes de los libros alibrate - Dec 27 2021

web we would like to show you a description here but the site won t allow us

[la chica de la nariz torcida muerte y obsesión en la vida de un](#) - Jul 14 2023

web la chica de la nariz torcida muerte y obsesión en la vida de un escultor forense oscura botha ted attrache ismael amazon es libros

[download la chica de la nariz torcida muerte y obsesión en la](#) - Jul 02 2022

web oct 4 2020 descarga la chica de la nariz torcida muerte y obsesión en la vida de un escultor forense oscura de ted botha ismael attrache libro pdf descargar audiolibro la chica de la nariz torcida muerte y obsesión en la vida de un escultor forense oscura mp3 gratis lee ahora descargar

[chica de la nariz torcida la muerte y obsesión en la vida de un](#) - Jan 08 2023

web chica de la nariz torcida la muerte y obsesión en la vida de un escultor forense botha ted 568 00 todo empezó cuando frank bender estudiante de arte entr

la chica de la nariz torcida muerte y obsesion en la - Mar 10 2023

web sinopsis de la chica de la nariz torcida muerte y obsesion en la vida de un escultor forense todo empezó cuando frank bender siendo estudiante de arte entró en una sala de autopsias y al ver el cadáver de una mujer con tres balazos en el cráneo sintió que sería capaz de dibujar su rostro tal como era antes de haber sido

[la chica de la nariz torcida muerte y obsesión en la vida de un](#) - May 12 2023

web la chica de la nariz torcida muerte y obsesión en la vida de un escultor forense botha ted attrache ismael amazon com au books

lee un libro la chica de la nariz torcida muerte y obsesión en la - Jun 01 2022

web apr 18 2021 detalles del libro name la chica de la nariz torcida muerte y obsesión en la vida de un escultor forense oscura autor ted botha ismael attrache categoria libros ciencias tecnología y medicina medicina tamaño del archivo 8 mb tipos de archivo pdf document idioma español archivos de estado available

la chica de la nariz torcida muerte y obsesion en - Feb 26 2022

web la chica de la nariz torcida muerte y obsesion en 3 3 personal journey of spiritual and political awakening galdós s insightful storytelling and compelling characterizations provide a vivid picture of the time making it a must read for fans of historical fiction step into 19th century spain with angel guerra by benito pérez galdós get

[la chica de la nariz torcida muerte y obsesión en la vida de un](#) - Apr 30 2022

web de donde bajar libros gratis la chica de la nariz torcida muerte y obsesión en la vida de un escultor forense oscura descargar libros pa

chica de la nariz torcida la muerte y obsesion en la vida de un - Feb 09 2023

web chica de la nariz torcida la muerte y obsesion en la vida de un escultor forense botha ted 710 00 todo empezó cuando frank bender siendo estudiante de arte

[9788484284567 la chica de la nariz torcida muerte y obsesión en la](#) - Nov 06 2022

web la chica de la nariz torcida muerte y obsesión en la vida de un escultor forense oscura spanish edition botha ted

publicado por alba editorial 2009 isbn 10 8484284565 isbn 13 9788484284567 librería blue rock books marbella ma españa
[descargar la chica de la nariz torcida muerte y obsesión en la vida de](#) - Mar 30 2022

web mar 4 2021 download la chica de la nariz torcida muerte y obsesión en la vida de un escultor forense oscura de ted
botha ismael attrache pdf epub mobi gratis la chica de la nariz torcida muerte y obsesión en la vida de un escultor forense
oscura pdf en linea lee ahora download

la chica de la nariz torcida librerías marcial pons - Dec 07 2022

web la chica de la nariz torcida muerte y obsesión en la vida de un escultor forense

la chica de la nariz torcida muerte y obsesión en la vida de un - Jun 13 2023

web may 1 2009 la chica de la nariz torcida muerte y obsesión en la vida de un escultor forense oscura spanish edition
botha ted attrache ismael on amazon com free shipping on qualifying offers la chica de la nariz torcida muerte y obsesión en
la vida de un escultor forense oscura spanish edition

[la chica de la nariz torcida botha ted amazon com mx libros](#) - Sep 04 2022

web pasta blanda desde 613 00 3 nuevo de 613 00 todo empezó cuando frank bender estudiante de arte entró en una sala de
autopsias y al ver el cadáver de una mujer con tres balazos en el cráneo sintió que sería capaz de dibujar su rostro tal como
era antes