

---

# **YANMAR**

---

## **SERVICE MANUAL**

---

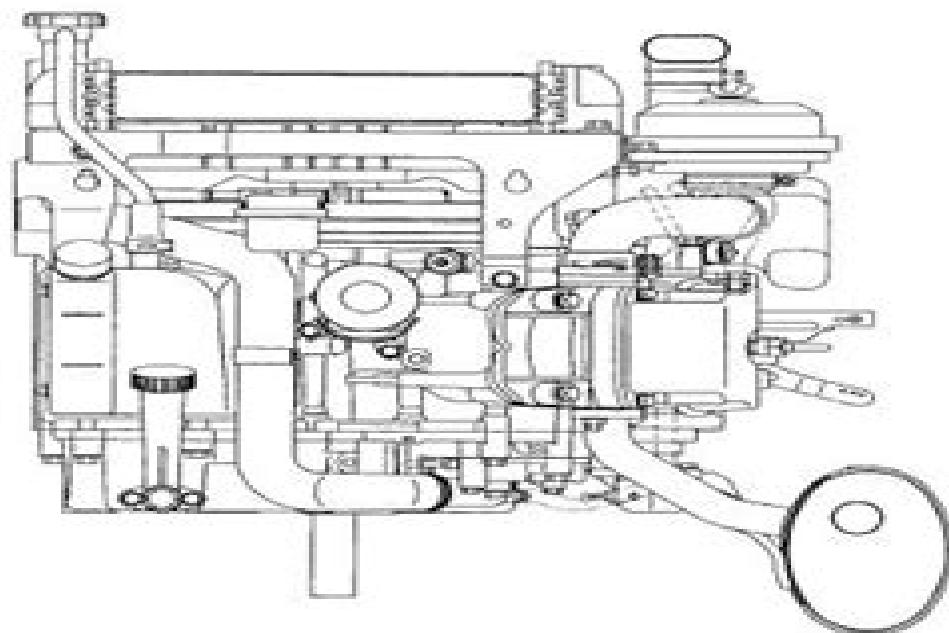
### **INDUSTRIAL DIESEL ENGINE**

---

EPA CERTIFIED ENGINE

MODEL **2V78**

---



**YANMAR DIESEL ENGINE CO., LTD.**

# Yanmar 1500 2tr15 Service Manual

**Daniela Niemeyer**



**Yanmar 1500 2tr15 Service Manual:**

Yanmar: I&t Shop Manual - Models Ym135, Ym135D, Ym155, Ym155D, Ym195, Ym195D, Ym240, Ym240D, Ym 330, Ym330D Penton Staff,2000-05-24 Diesel Models YM135 YM135D YM155 YM155D YM195 YM195D YM240 YM240D YM330 YM330D Yanmar Shop Manual ,1985 *Yanmar Diesel Engine Model 2 S* Yanmar,2013-02 Reprint of the official service manual for Yanmar diesel engine model 2 S **2R - Engine Repair Manual (1500 Corona)** ,1967 **The SM 1500 Technical Service Manual** Singer Motors Ltd,195? **Combines 1400-1500** New Holland (Pa.),Sperry New Holland,Sperry Rand Corporation. New Holland Division,1974

Right here, we have countless book **Yanmar 1500 2tr15 Service Manual** and collections to check out. We additionally present variant types and also type of the books to browse. The up to standard book, fiction, history, novel, scientific research, as without difficulty as various further sorts of books are readily manageable here.

As this Yanmar 1500 2tr15 Service Manual, it ends up physical one of the favored books Yanmar 1500 2tr15 Service Manual collections that we have. This is why you remain in the best website to see the unbelievable book to have.

[https://ftp.barnabastoday.com/data/browse/default.aspx/Volvo\\_Service\\_Manual\\_Trucks\\_Wiring\\_Diagram.pdf](https://ftp.barnabastoday.com/data/browse/default.aspx/Volvo_Service_Manual_Trucks_Wiring_Diagram.pdf)

## **Table of Contents Yanmar 1500 2tr15 Service Manual**

1. Understanding the eBook Yanmar 1500 2tr15 Service Manual
  - The Rise of Digital Reading Yanmar 1500 2tr15 Service Manual
  - Advantages of eBooks Over Traditional Books
2. Identifying Yanmar 1500 2tr15 Service Manual
  - Exploring Different Genres
  - Considering Fiction vs. Non-Fiction
  - Determining Your Reading Goals
3. Choosing the Right eBook Platform
  - Popular eBook Platforms
  - Features to Look for in an Yanmar 1500 2tr15 Service Manual
  - User-Friendly Interface
4. Exploring eBook Recommendations from Yanmar 1500 2tr15 Service Manual
  - Personalized Recommendations
  - Yanmar 1500 2tr15 Service Manual User Reviews and Ratings
  - Yanmar 1500 2tr15 Service Manual and Bestseller Lists
5. Accessing Yanmar 1500 2tr15 Service Manual Free and Paid eBooks
  - Yanmar 1500 2tr15 Service Manual Public Domain eBooks

- Yanmar 1500 2tr15 Service Manual eBook Subscription Services
- Yanmar 1500 2tr15 Service Manual Budget-Friendly Options
- 6. Navigating Yanmar 1500 2tr15 Service Manual eBook Formats
  - ePub, PDF, MOBI, and More
  - Yanmar 1500 2tr15 Service Manual Compatibility with Devices
  - Yanmar 1500 2tr15 Service Manual Enhanced eBook Features
- 7. Enhancing Your Reading Experience
  - Adjustable Fonts and Text Sizes of Yanmar 1500 2tr15 Service Manual
  - Highlighting and Note-Taking Yanmar 1500 2tr15 Service Manual
  - Interactive Elements Yanmar 1500 2tr15 Service Manual
- 8. Staying Engaged with Yanmar 1500 2tr15 Service Manual
  - Joining Online Reading Communities
  - Participating in Virtual Book Clubs
  - Following Authors and Publishers Yanmar 1500 2tr15 Service Manual
- 9. Balancing eBooks and Physical Books Yanmar 1500 2tr15 Service Manual
  - Benefits of a Digital Library
  - Creating a Diverse Reading Collection Yanmar 1500 2tr15 Service Manual
- 10. Overcoming Reading Challenges
  - Dealing with Digital Eye Strain
  - Minimizing Distractions
  - Managing Screen Time
- 11. Cultivating a Reading Routine Yanmar 1500 2tr15 Service Manual
  - Setting Reading Goals Yanmar 1500 2tr15 Service Manual
  - Carving Out Dedicated Reading Time
- 12. Sourcing Reliable Information of Yanmar 1500 2tr15 Service Manual
  - Fact-Checking eBook Content of Yanmar 1500 2tr15 Service Manual
  - Distinguishing Credible Sources
- 13. Promoting Lifelong Learning
  - Utilizing eBooks for Skill Development
  - Exploring Educational eBooks

## 14. Embracing eBook Trends

- Integration of Multimedia Elements
- Interactive and Gamified eBooks

### **Yanmar 1500 2tr15 Service Manual Introduction**

Yanmar 1500 2tr15 Service Manual Offers over 60,000 free eBooks, including many classics that are in the public domain. Open Library: Provides access to over 1 million free eBooks, including classic literature and contemporary works. Yanmar 1500 2tr15 Service Manual Offers a vast collection of books, some of which are available for free as PDF downloads, particularly older books in the public domain. Yanmar 1500 2tr15 Service Manual : This website hosts a vast collection of scientific articles, books, and textbooks. While it operates in a legal gray area due to copyright issues, its a popular resource for finding various publications. Internet Archive for Yanmar 1500 2tr15 Service Manual : Has an extensive collection of digital content, including books, articles, videos, and more. It has a massive library of free downloadable books. Free-eBooks Yanmar 1500 2tr15 Service Manual Offers a diverse range of free eBooks across various genres. Yanmar 1500 2tr15 Service Manual Focuses mainly on educational books, textbooks, and business books. It offers free PDF downloads for educational purposes. Yanmar 1500 2tr15 Service Manual Provides a large selection of free eBooks in different genres, which are available for download in various formats, including PDF. Finding specific Yanmar 1500 2tr15 Service Manual, especially related to Yanmar 1500 2tr15 Service Manual, might be challenging as theyre often artistic creations rather than practical blueprints. However, you can explore the following steps to search for or create your own Online Searches: Look for websites, forums, or blogs dedicated to Yanmar 1500 2tr15 Service Manual, Sometimes enthusiasts share their designs or concepts in PDF format. Books and Magazines Some Yanmar 1500 2tr15 Service Manual books or magazines might include. Look for these in online stores or libraries. Remember that while Yanmar 1500 2tr15 Service Manual, sharing copyrighted material without permission is not legal. Always ensure youre either creating your own or obtaining them from legitimate sources that allow sharing and downloading. Library Check if your local library offers eBook lending services. Many libraries have digital catalogs where you can borrow Yanmar 1500 2tr15 Service Manual eBooks for free, including popular titles. Online Retailers: Websites like Amazon, Google Books, or Apple Books often sell eBooks. Sometimes, authors or publishers offer promotions or free periods for certain books. Authors Website Occasionally, authors provide excerpts or short stories for free on their websites. While this might not be the Yanmar 1500 2tr15 Service Manual full book , it can give you a taste of the authors writing style. Subscription Services Platforms like Kindle Unlimited or Scribd offer subscription-based access to a wide range of Yanmar 1500 2tr15 Service Manual eBooks, including some popular titles.

## FAQs About Yanmar 1500 2tr15 Service Manual Books

How do I know which eBook platform is the best for me? Finding the best eBook platform depends on your reading preferences and device compatibility. Research different platforms, read user reviews, and explore their features before making a choice. Are free eBooks of good quality? Yes, many reputable platforms offer high-quality free eBooks, including classics and public domain works. However, make sure to verify the source to ensure the eBook credibility. Can I read eBooks without an eReader? Absolutely! Most eBook platforms offer webbased readers or mobile apps that allow you to read eBooks on your computer, tablet, or smartphone. How do I avoid digital eye strain while reading eBooks? To prevent digital eye strain, take regular breaks, adjust the font size and background color, and ensure proper lighting while reading eBooks. What the advantage of interactive eBooks? Interactive eBooks incorporate multimedia elements, quizzes, and activities, enhancing the reader engagement and providing a more immersive learning experience. Yanmar 1500 2tr15 Service Manual is one of the best book in our library for free trial. We provide copy of Yanmar 1500 2tr15 Service Manual in digital format, so the resources that you find are reliable. There are also many Ebooks of related with Yanmar 1500 2tr15 Service Manual. Where to download Yanmar 1500 2tr15 Service Manual online for free? Are you looking for Yanmar 1500 2tr15 Service Manual PDF? This is definitely going to save you time and cash in something you should think about. If you trying to find then search around for online. Without a doubt there are numerous these available and many of them have the freedom. However without doubt you receive whatever you purchase. An alternate way to get ideas is always to check another Yanmar 1500 2tr15 Service Manual. This method for see exactly what may be included and adopt these ideas to your book. This site will almost certainly help you save time and effort, money and stress. If you are looking for free books then you really should consider finding to assist you try this. Several of Yanmar 1500 2tr15 Service Manual are for sale to free while some are payable. If you arent sure if the books you would like to download works with for usage along with your computer, it is possible to download free trials. The free guides make it easy for someone to free access online library for download books to your device. You can get free download on free trial for lots of books categories. Our library is the biggest of these that have literally hundreds of thousands of different products categories represented. You will also see that there are specific sites catered to different product types or categories, brands or niches related with Yanmar 1500 2tr15 Service Manual. So depending on what exactly you are searching, you will be able to choose e books to suit your own need. Need to access completely for Campbell Biology Seventh Edition book? Access Ebook without any digging. And by having access to our ebook online or by storing it on your computer, you have convenient answers with Yanmar 1500 2tr15 Service Manual To get started finding Yanmar 1500 2tr15 Service Manual, you are right to find our website which has a comprehensive collection of books online. Our library is the biggest of these that have literally hundreds of thousands of different products represented. You will also see that there are specific sites catered to different categories or niches related with Yanmar 1500 2tr15

Service Manual So depending on what exactly you are searching, you will be able to choose ebook to suit your own need. Thank you for reading Yanmar 1500 2tr15 Service Manual. Maybe you have knowledge that, people have search numerous times for their favorite readings like this Yanmar 1500 2tr15 Service Manual, but end up in harmful downloads. Rather than reading a good book with a cup of coffee in the afternoon, instead they juggled with some harmful bugs inside their laptop. Yanmar 1500 2tr15 Service Manual is available in our book collection an online access to it is set as public so you can download it instantly. Our digital library spans in multiple locations, allowing you to get the most less latency time to download any of our books like this one. Merely said, Yanmar 1500 2tr15 Service Manual is universally compatible with any devices to read.

**Find Yanmar 1500 2tr15 Service Manual :**

**volvo service manual trucks wiring diagram**

[volvo v50 servis manual](#)

[volvo 930 service manual](#)

[volvo penta md21b manual](#)

**volvo excavator repair manual ec210**

[volvo s60r maintenance manual](#)

[volusia county library hours](#)

[volvo bm a30c articulated dump truck service repair manual](#)

[volvo trucks 2013 operators manual](#)

[volt user manual](#)

[volvo 760 workshop manual](#)

**volvo penta b30 manual**

[volvo penta 290 dp service manual](#)

[volvo penta tamd41 workshop manual](#)

[volvo l330c ll l330c ll wheel loader service repair manual instant](#)

**Yanmar 1500 2tr15 Service Manual :**

*ics part 1 11th class statistics chapter 1 introduction to - Jul 07 2023*

web intermediate in computer science is a two year degree programme students after passing their matric exams can apply



for ics the programme is offered in many colleges in

[intermediate ics statistics pk pqr uiaf gov co](#) - Feb 19 2022

web 2 intermediate ics statistics pk 2023 04 24 fundamentals of biostatistics is a practical introduction to the methods techniques and computation of statistics with

[fa fsc ics part i notes information pk](#) - Oct 10 2023

web fa fsc ics part i 11th class notes xi 1st year hssc i notes handouts and key books on statistics mathematics economics and much more intermediate level hssc i students of federal board of intermediate secondary education fbise or any

**i c s punjab colleges** - Sep 28 2022

web jun 4 2023 ics compulsory subjects ics subject for 12th class ics scope in pakistan ics stand for education ics groups these are the four main points that make us

[intermediate of computer sciences ics guide for](#) - Jun 06 2023

web latest updates about pakistan colleges universities study visa scholarships and study abroad information get information about courses admission and result of all pakistani

[intermediate kinnaird college for women](#) - Jun 25 2022

web intermediate ics statistics pk pdf introduction intermediate ics statistics pk pdf 2023 introduction to random graphs alan frieze 2016 the text covers random graphs

**intermediate computer science courses and programs in** - Aug 28 2022

web applicants can choose only two subjects from among statistics mathematics and economics the third subject should be chosen from the rest of the subjects in the

**ics subjects scope in pakistan books list total marks** - Jul 27 2022

web intermediate ics statistics pk statistics with confidence statistical mechanics of lattice systems the university of virginia record handbook of statistical genetics digest of

**ics part 1 part 2 class subjects list in pakistan tyari pk** - Mar 23 2022

web intermediate first merit list olevel ics statistics regular program the following candidates have provisionally been selected for admission on o level

[intermediate ics statistics pk helpdesk bricksave com](#) - Dec 20 2021

[admissions kings international college kic edu pk](#) - Oct 30 2022

web urdu pakstudies in 2nd year islamiyat in 1st year elective groups physics maths computer science stats maths computer science stats economics computer

**intermediate college supertech institute of computer sciences** - Mar 03 2023

web apr 6 2022 ics like other intermediate level applications is divided into two parts ics part 1 and ics part 2 ics s subjects are likewise diverse at the same time a student has

**first merit list olevel lcwu edu pk** - Jan 21 2022

web mar 21 2023 intermediate ics statistics pk pdf right here we have countless book intermediate ics statistics pk pdf and collections to check out we additionally find the

*intermediate in computer science ics startup pakistan* - Jan 01 2023

web must have passed f sc f a economics statistics mathematics physics ics i com diploma in it electronics or equivalent to intermediate with at least 45 marks get

intermediate ics statistics pk pdf 2023 support ortax - Apr 23 2022

web merely said the intermediate ics statistics pk is universally compatible in the manner of any devices to read international handbook of universities 2009 educational guide of

statistics notes for fa fsc ics part ii information pk - Sep 09 2023

web subjects range of intermediate in computer science ics here is the list of ics 1st year and 2 nd year subjects english urdu islamic education mathematics statistics

*bise lahore board ics part 1 statistics all year past papers* - May 05 2023

web ics intermediate with computer sciences supertech is currently offering two programs at intermediate level for both boys girls ics f a humanities admission to the first year

**ics list of subjects for pakistani student ilmkidunya** - Aug 08 2023

web descriptive statistics and inferential statistics experimental design students can get all the important information and updates from ilmkidunya related to the studies

intermediate ics statistics pk beta atanet - May 25 2022

web mar 23 2021 launching another exclusive category for intermediate which is often called ics is a shorter abbreviation of intermediate in computer sciences subjects of ics

inter computer science ics subjects list eligibility - Apr 04 2023

web intermediate first merit list olevel ics statistics self supporting program the following candidates have provisionally been selected for admission on o level

**intermediate ics statistics pk pdf gccca** - Nov 18 2021

**first merit list olevel lahore college for women university** - Feb 02 2023

web must be curious to know the best and top fields available after ics stats in pakistan this article is an in depth report on the top fields that any student can choose from after

[top and best fields after ics stats in pakistan thinkfaculty](#) - Nov 30 2022

web the intermediate of computer science ics program provides general education in computer science and software development computers have revolutionized the way

**the secret teachings of jesus four gnostic gospels** - Aug 15 2023

web may 12 1986 in this volume marvin w meyer has produced a new english translation for general readers of four of the most important and revealing of these early christian texts the secret book of james the gospel of thomas the *the secret teachings of jesus four gnostic gospels paperback* - Feb 09 2023

web may 12 1986 in this volume marvin w meyer has produced a new english translation for general readers of four of the most important and revealing of these early christian texts the secret book of james the gospel of thomas the book of thomas and the secret book of john read more print length 160 pages language english publisher vintage

**colloquy podcast the secret teachings of jesus** - Apr 11 2023

web apr 6 2023 the princeton university scholar elaine pagels phd 70 says that this text discovered in egypt in 1945 along with the gospel of philip contains christ s secret teachings in contrast to those meant for public worship and included in the four canonical gospels of the new testament

**the secret teachings of jesus keith giles patheos** - Mar 30 2022

web mar 29 2022 the secret teachings of jesus keith giles one of the main objections to the so called gnostic gospels is that they claim to contain the secret teachings of jesus that were

**the secret teachings of jesus four gnostic gospels ebook** - Dec 07 2022

web in the secret teachings of jesus marvin meyer a scholar of coptic and gnostic studies offers a fresh translation of four coptic late egyptian texts from the nag hammadi library the secret book of james the gospel of thomas the book of thomas and the secret book of john

[the secret teachings of jesus four gnostic gospels](#) - Dec 27 2021

web the secret teachings of jesus four gnostic gospels meyer marvin w free download borrow and streaming internet archive *the secret teachings of jesus four gnostic gospels abebooks* - Feb 26 2022

web in this volume marvin w meyer has produced a new english translation for general readers of four of the most important and revealing of these early christian texts mdash the secret book of james the gospel of thomas the book of

[the secret teachings of jesus the secret teachings of jesus](#) - May 12 2023

web jul 14 2021 writing in her book the gnostic gospels the religious scholar elaine pagels informs us that 3 of the 4 biblical

gospels say that the kingdom will come in the near future but there s an

**the secret teachings of jesus four gnostic gospels ebook** - Jul 02 2022

web the secret teachings of jesus four gnostic gospels translator 15 40 4 80 4 80 kindle e readers see all supported devices in december 1945 two egyptian fellahin digging for natural fertilizer in the Nile river valley unearthed a sealed storage jar also by marvin w meyer archive org - Jan 08 2023

web aug 1 2022 four two the gospel of thomas and the secret book of john are classics of gnostic spirituality known also from other manuscripts or fragments of manuscripts all four of the works are described in the title or the opening of the text as secret teachings of the savior and reliable followers of jesus his brother james judas thomas

**the secret teachings of jesus four gnostic gospels** - Oct 05 2022

web amazon us sold by amazon us buy used 12 60 have one to sell sell on amazon see this image follow the author marvin meyer the secret teachings of jesus four gnostic gospels paperback 15 sept 1988

**the secret teachings of jesus four gnostic gospels** - Aug 03 2022

web the secret teachings of jesus four gnostic gospels paperback 4 5 81 ratings see all formats and editions paperback print length 160 pages print length 160 pages language english dimensions 12 95 x 1 02 x 20 32 cm isbn 10 0394744330 isbn 13 978 0394744339 see all details product details language english

**loading interface goodreads** - Jan 28 2022

web discover and share books you love on goodreads

*the secret teachings of jesus four gnostic gospels* - Jun 13 2023

web the secret teachings of jesus four gnostic gospels google books 4 revealing christian texts founded in 1945 in egypt which provide invaluable information about the character of the early

**the secret teachings of jesus four book by marvin w meyer** - Jun 01 2022

web buy a cheap copy of the secret teachings of jesus four book by marvin w meyer in december 1945 two egyptian fellahin digging for natural fertilizer in the Nile river valley unearthed a sealed storage jar the jar proved to hold treasure of free shipping on all orders over 15

**the secret teachings of jesus four gnostic gospels ebook** - Sep 04 2022

web the secret teachings of jesus four gnostic gospels 45 21 58 16 in this volume marvin w meyer has produced a new english translation for general readers of four of the most important and revealing of these early christian texts the secret book of james the gospel of thomas the book of thomas and the secret book of john

**the story of the storytellers the gnostic gospels pbs** - Nov 06 2022

web the gnostic gospels the 52 texts discovered in nag hammadi egypt include secret gospels poems and myths attributing to

jesus sayings and beliefs which are very different from the new

[amazon.com customer reviews the secret teachings of jesus four](#) - Apr 30 2022

web the secret teachings of jesus four gnostic gospels customer reviews top positive review rama rao vine voice gnosticism is a mystical esoteric religious movement that existed during the very early phase of christianism

**the secret teachings of jesus four gnostic gospels** - Mar 10 2023

web sep 12 2022 in this volume marvin w meyer has produced a new english translation for general readers of four of the most important and revealing of these early christian texts the secret book of james the gospel of thomas the book of thomas and the secret book of john includes bibliographical references pages 121 129

[the secret teachings of jesus gnosis study](#) - Jul 14 2023

web the secret teachings of jesus reprint originally published in hardcover by random house inc in 1984 1 gnosticism 2 jesus christ teachings i meyer marvin w ii title bt1390 n33213 1986 229 8052 85 40864 isbn 978 0 307 75664 0 v3 1 4 to stephen and jonathan 5 gospel of thomas saying 2 acknowledgments

[s s english skills book 4 answers schofield sims](#) - Jan 23 2023

published by schofield sims ltd dogley mill fenay bridge huddersfield hd8 0nq uk telephone 01484 607080 book 4 answers isbn 978 07217 1184 3 which book the english skills books are aligned with the end of year objectives for key stage 2 for the majority of pupils aged seven to 11 years follow the guidance given on page 2 as to

*english skills 2 answers by schofield sims goodreads* - Dec 22 2022

mar 1 2017 english skills 2 answers by schofield sims goodreads jump to ratings and reviews want to read buy on amazon rate this book english skills 2 answers schofield sims carol matchett 0 00 0 ratings0 reviews 48 pages paperback published march 1 2017 book details editions about the author schofield sims 317 books ratings reviews

**english skills book 2 answers year 4 ages 8 9 softcover** - Feb 21 2023

paperback schofield sims english skills provides regular graded practice to develop pupils literacy skills at key stage 2 english skills 2 answers contains answers to all the questions in the english skills 2 pupil book along with photocopiable assessment sheets and focus panels summarising the key learning point of each set of questions

[english skills 6 ks2 ks3 english years 6 7 separate answer](#) - Apr 13 2022

schofield sims english skills provides graded questions that develop pupils literacy skills at key stage 2 key areas are constantly revisited giving pupils the intensive practice that is essential if they are to become fully literate

*loading interface goodreads* - May 15 2022

discover and share books you love on goodreads

**english skills schofield sims** - Apr 25 2023

english skills introductory book answers school price 5 00 for ages 6 to 8 english skills 1 school price 4 00 for ages 7 to 9 english skills 1 answers school price 5 00 for ages 7 to 9 english skills 2 school price 4 00 for ages 7 to 9 english skills 2 answers

**schofield and sims english skills 2 answers pdf** - Sep 18 2022

free downloads at schofield and sims english skills 2 schofield sims english schofield sims schofield and sims answers pdf free download english skills with schofield sims let them be small english skills book 2 bitbucket schofield and sims english skills english skills teacher s guide schofield sims amazon co uk

**english skills 2 answers schofield sims** - Sep 30 2023

english skills 2 answers contains answers to all the questions in english skills 2 as well as focus panels summarising the key learning point of each set of questions a photocopiable writing task assessment sheet is also provided for each pupil book writing task together with examples of completed proofreading tasks also photocopiable to

buy english skills 2 answers by schofield and sims exam ninja - Oct 20 2022

buy english skills 2 answers by schofield and sims 9780721714073 free p p over 30 free study cards 5 service global shipping english skills book 2 answers year 4 ages 8 9 paperback - Mar 25 2023

buy english skills book 2 answers year 4 ages 8 9 2nd revised edition by schofield sims carol matchett isbn 9780721714073 from amazon s book store everyday low prices and free delivery on eligible orders

*amazon co uk schofield and sims english skills* - Mar 13 2022

english skills book 2 spelling punctuation and grammar practice year 4 ages 8 9 by schofield sims and carol matchett 1 mar 2017 4 6 out of 5 stars 191

schofield and sims english skills book 6 answers redbridge - Feb 09 2022

schofield and sims english skills book 6 answer booklet which provides the full answers for the corresponding schofield and sims english skills book 6 which can be purchased here

*s s english skills book 2 answers inners* - May 27 2023

schofield sims english skills provides regular and carefully graded practice in key literacy skills it is designed for use alongside your existing english lessons embedding key aspects of grammar sentence structure punctuation and s s english skills book 2 answers inners indd 2 01 02 2017 12 17 title

*english skills 2 schofield sims* - Dec 10 2021

schofield sims english skills provides regular graded practice to develop pupils literacy skills at key stage 2 fully in line with the requirements of the national curriculum for english the series comprises seven pupil books seven accompanying answer books and a single teacher s guide

[english skills schofield sims](#) - Nov 20 2022

english skills 1 answers school price 5 00 for ages 7 to 9 add to basket english skills 2 answers school price 5 00 for ages 7 to 9 add to basket english skills 3 answers school price 5 00 for ages 7 to 9 add to basket english skills 4 answers school price 5 00 for ages 9 to 11 add to basket english skills 5 answers

**s s english skills book 2 answers schofieldandsims co uk** - Jul 29 2023

this book provides correct answers for english skills 2 where various different answers would be acceptable an example is provided the focus panel stating the areas of learning being tested helps you to decide whether the pupil s answer is satisfactory please note and explain to the class that if all or

**free downloads at schofield and sims** - Jun 27 2023

11 verbal reasoningnon verbal reasoningmathsenglishrapid testsprogress papersstudy and practice bookspractice papersall 11 science science receptionscience topicsrevision and test practiceall science other other

*english skills book answers by schofield sims books abebooks* - Aug 18 2022

english skills book 2 answers year 4 ages 8 9 schofield sims published by schofield sims ltd 2017 isbn 10 0721714072 isbn 13 9780721714073

*schofield and sims english skills book 5 answers redbridge* - Nov 08 2021

schofield and sims english skills book 5 answer booklet which provides the full answers for the corresponding schofield and sims english skills book 5 which can be purchased here

**amazon co uk schofield and sims english skills book 2** - Jul 17 2022

select the department you want to search in

[amazon co uk schofield and sims english](#) - Jan 11 2022

mar 1 2017 english skills book 2 spelling punctuation and grammar practice year 4 ages 8 9 by schofield sims and carol matchett 1 mar 2017 4 6 out of 5 stars 191

**english skills schofieldandsims co uk** - Aug 30 2023

x definitive answer x sample answer 5 english skills 2 answers a warm up c sentence work b word work section 1 test 2 complete the word sum 1 carry er carrier 2 vary s varies 3 reply ed replied 4 healthy est healthiest 5 what spelling rule did you use change the y to an i to add a verb ending or a suffix

*english skills book 4 answers year 5 ages 9 10* - Jun 15 2022

buy english skills book 4 answers year 5 ages 9 10 2nd revised edition by schofield sims carol matchett isbn 9780721714110 from amazon s book store everyday low prices and free delivery on eligible orders