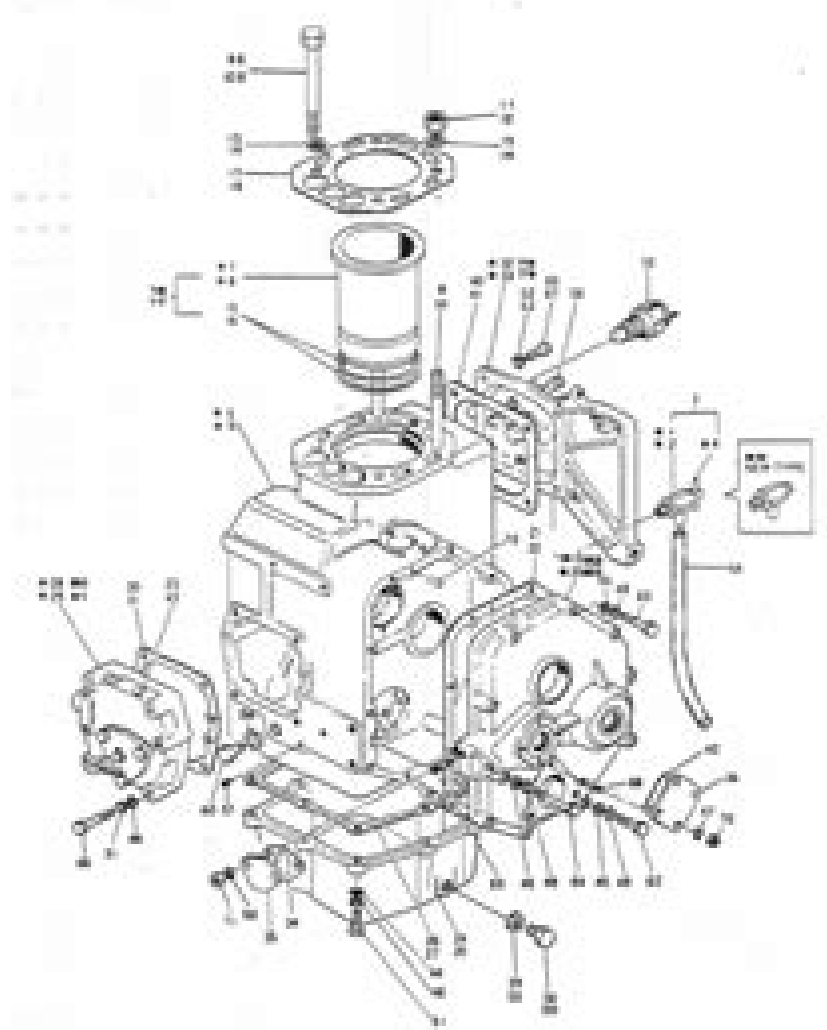


Page Thumbnails X

12
13
14
15
16

01-1 シリンダボディ CYLINDER BODY



Yanmar Sb 8 Owners Manual

G Orfield



Yanmar Sb 8 Owners Manual:

Farmers and Consumers Market Bulletin ,2003 *Prairie Farmer* ,1984 **Hansa** ,1986 **Yanmar Diesel Engine Model S185(L)** Yanmar Diesel Engine Co., Ltd,1994 **Yanmar: I&t Shop Manual - Models Ym135, Ym135D, Ym155, Ym155D, Ym195, Ym195D, Ym240, Ym240D, Ym 330, Ym330D** Penton Staff,2000-05-24 Diesel Models YM135 YM135D YM155 YM155D YM195 YM195D YM240 YM240D YM330 YM330D Service and Repair Manual for Atomic-4 Marine Engines Robert Thomas Staton,1982 Service and Repair Manual for Atomic and Marine Engine Robert Staton,1999

The Enigmatic Realm of **Yanmar Sb 8 Owners Manual**: Unleashing the Language is Inner Magic

In a fast-paced digital era where connections and knowledge intertwine, the enigmatic realm of language reveals its inherent magic. Its capacity to stir emotions, ignite contemplation, and catalyze profound transformations is nothing in short supply of extraordinary. Within the captivating pages of **Yanmar Sb 8 Owners Manual** a literary masterpiece penned by a renowned author, readers embark on a transformative journey, unlocking the secrets and untapped potential embedded within each word. In this evaluation, we shall explore the book's core themes, assess its distinct writing style, and delve into its lasting impact on the hearts and minds of those who partake in its reading experience.

https://ftp.barnabastoday.com/public/publication/fetch.php/theory_of_machines_and_mechanisms_solution_manual.pdf

Table of Contents Yanmar Sb 8 Owners Manual

1. Understanding the eBook Yanmar Sb 8 Owners Manual
 - The Rise of Digital Reading Yanmar Sb 8 Owners Manual
 - Advantages of eBooks Over Traditional Books
2. Identifying Yanmar Sb 8 Owners Manual
 - Exploring Different Genres
 - Considering Fiction vs. Non-Fiction
 - Determining Your Reading Goals
3. Choosing the Right eBook Platform
 - Popular eBook Platforms
 - Features to Look for in an Yanmar Sb 8 Owners Manual
 - User-Friendly Interface
4. Exploring eBook Recommendations from Yanmar Sb 8 Owners Manual
 - Personalized Recommendations
 - Yanmar Sb 8 Owners Manual User Reviews and Ratings
 - Yanmar Sb 8 Owners Manual and Bestseller Lists

5. Accessing Yanmar Sb 8 Owners Manual Free and Paid eBooks
 - Yanmar Sb 8 Owners Manual Public Domain eBooks
 - Yanmar Sb 8 Owners Manual eBook Subscription Services
 - Yanmar Sb 8 Owners Manual Budget-Friendly Options
6. Navigating Yanmar Sb 8 Owners Manual eBook Formats
 - ePub, PDF, MOBI, and More
 - Yanmar Sb 8 Owners Manual Compatibility with Devices
 - Yanmar Sb 8 Owners Manual Enhanced eBook Features
7. Enhancing Your Reading Experience
 - Adjustable Fonts and Text Sizes of Yanmar Sb 8 Owners Manual
 - Highlighting and Note-Taking Yanmar Sb 8 Owners Manual
 - Interactive Elements Yanmar Sb 8 Owners Manual
8. Staying Engaged with Yanmar Sb 8 Owners Manual
 - Joining Online Reading Communities
 - Participating in Virtual Book Clubs
 - Following Authors and Publishers Yanmar Sb 8 Owners Manual
9. Balancing eBooks and Physical Books Yanmar Sb 8 Owners Manual
 - Benefits of a Digital Library
 - Creating a Diverse Reading Collection Yanmar Sb 8 Owners Manual
10. Overcoming Reading Challenges
 - Dealing with Digital Eye Strain
 - Minimizing Distractions
 - Managing Screen Time
11. Cultivating a Reading Routine Yanmar Sb 8 Owners Manual
 - Setting Reading Goals Yanmar Sb 8 Owners Manual
 - Carving Out Dedicated Reading Time
12. Sourcing Reliable Information of Yanmar Sb 8 Owners Manual
 - Fact-Checking eBook Content of Yanmar Sb 8 Owners Manual
 - Distinguishing Credible Sources
13. Promoting Lifelong Learning

- Utilizing eBooks for Skill Development
 - Exploring Educational eBooks
14. Embracing eBook Trends
- Integration of Multimedia Elements
 - Interactive and Gamified eBooks

Yanmar Sb 8 Owners Manual Introduction

In today's digital age, the availability of Yanmar Sb 8 Owners Manual books and manuals for download has revolutionized the way we access information. Gone are the days of physically flipping through pages and carrying heavy textbooks or manuals. With just a few clicks, we can now access a wealth of knowledge from the comfort of our own homes or on the go. This article will explore the advantages of Yanmar Sb 8 Owners Manual books and manuals for download, along with some popular platforms that offer these resources. One of the significant advantages of Yanmar Sb 8 Owners Manual books and manuals for download is the cost-saving aspect. Traditional books and manuals can be costly, especially if you need to purchase several of them for educational or professional purposes. By accessing Yanmar Sb 8 Owners Manual versions, you eliminate the need to spend money on physical copies. This not only saves you money but also reduces the environmental impact associated with book production and transportation. Furthermore, Yanmar Sb 8 Owners Manual books and manuals for download are incredibly convenient. With just a computer or smartphone and an internet connection, you can access a vast library of resources on any subject imaginable. Whether you're a student looking for textbooks, a professional seeking industry-specific manuals, or someone interested in self-improvement, these digital resources provide an efficient and accessible means of acquiring knowledge. Moreover, PDF books and manuals offer a range of benefits compared to other digital formats. PDF files are designed to retain their formatting regardless of the device used to open them. This ensures that the content appears exactly as intended by the author, with no loss of formatting or missing graphics. Additionally, PDF files can be easily annotated, bookmarked, and searched for specific terms, making them highly practical for studying or referencing. When it comes to accessing Yanmar Sb 8 Owners Manual books and manuals, several platforms offer an extensive collection of resources. One such platform is Project Gutenberg, a nonprofit organization that provides over 60,000 free eBooks. These books are primarily in the public domain, meaning they can be freely distributed and downloaded. Project Gutenberg offers a wide range of classic literature, making it an excellent resource for literature enthusiasts. Another popular platform for Yanmar Sb 8 Owners Manual books and manuals is Open Library. Open Library is an initiative of the Internet Archive, a non-profit organization dedicated to digitizing cultural artifacts and making them accessible to the public. Open Library hosts millions of books, including both public domain works and contemporary titles. It also allows users to

borrow digital copies of certain books for a limited period, similar to a library lending system. Additionally, many universities and educational institutions have their own digital libraries that provide free access to PDF books and manuals. These libraries often offer academic texts, research papers, and technical manuals, making them invaluable resources for students and researchers. Some notable examples include MIT OpenCourseWare, which offers free access to course materials from the Massachusetts Institute of Technology, and the Digital Public Library of America, which provides a vast collection of digitized books and historical documents. In conclusion, Yanmar Sb 8 Owners Manual books and manuals for download have transformed the way we access information. They provide a cost-effective and convenient means of acquiring knowledge, offering the ability to access a vast library of resources at our fingertips. With platforms like Project Gutenberg, Open Library, and various digital libraries offered by educational institutions, we have access to an ever-expanding collection of books and manuals. Whether for educational, professional, or personal purposes, these digital resources serve as valuable tools for continuous learning and self-improvement. So why not take advantage of the vast world of Yanmar Sb 8 Owners Manual books and manuals for download and embark on your journey of knowledge?

FAQs About Yanmar Sb 8 Owners Manual Books

How do I know which eBook platform is the best for me? Finding the best eBook platform depends on your reading preferences and device compatibility. Research different platforms, read user reviews, and explore their features before making a choice. Are free eBooks of good quality? Yes, many reputable platforms offer high-quality free eBooks, including classics and public domain works. However, make sure to verify the source to ensure the eBook credibility. Can I read eBooks without an eReader? Absolutely! Most eBook platforms offer webbased readers or mobile apps that allow you to read eBooks on your computer, tablet, or smartphone. How do I avoid digital eye strain while reading eBooks? To prevent digital eye strain, take regular breaks, adjust the font size and background color, and ensure proper lighting while reading eBooks. What the advantage of interactive eBooks? Interactive eBooks incorporate multimedia elements, quizzes, and activities, enhancing the reader engagement and providing a more immersive learning experience. Yanmar Sb 8 Owners Manual is one of the best book in our library for free trial. We provide copy of Yanmar Sb 8 Owners Manual in digital format, so the resources that you find are reliable. There are also many Ebooks of related with Yanmar Sb 8 Owners Manual. Where to download Yanmar Sb 8 Owners Manual online for free? Are you looking for Yanmar Sb 8 Owners Manual PDF? This is definitely going to save you time and cash in something you should think about. If you trying to find then search around for online. Without a doubt there are numerous these available and many of them have the freedom. However without doubt you receive whatever you purchase. An alternate way to get ideas is always to check another Yanmar Sb 8 Owners Manual. This

method for see exactly what may be included and adopt these ideas to your book. This site will almost certainly help you save time and effort, money and stress. If you are looking for free books then you really should consider finding to assist you try this. Several of Yanmar Sb 8 Owners Manual are for sale to free while some are payable. If you arent sure if the books you would like to download works with for usage along with your computer, it is possible to download free trials. The free guides make it easy for someone to free access online library for download books to your device. You can get free download on free trial for lots of books categories. Our library is the biggest of these that have literally hundreds of thousands of different products categories represented. You will also see that there are specific sites catered to different product types or categories, brands or niches related with Yanmar Sb 8 Owners Manual. So depending on what exactly you are searching, you will be able to choose e books to suit your own need. Need to access completely for Campbell Biology Seventh Edition book? Access Ebook without any digging. And by having access to our ebook online or by storing it on your computer, you have convenient answers with Yanmar Sb 8 Owners Manual To get started finding Yanmar Sb 8 Owners Manual, you are right to find our website which has a comprehensive collection of books online. Our library is the biggest of these that have literally hundreds of thousands of different products represented. You will also see that there are specific sites catered to different categories or niches related with Yanmar Sb 8 Owners Manual So depending on what exactly you are searching, you will be able to choose ebook to suit your own need. Thank you for reading Yanmar Sb 8 Owners Manual. Maybe you have knowledge that, people have search numerous times for their favorite readings like this Yanmar Sb 8 Owners Manual, but end up in harmful downloads. Rather than reading a good book with a cup of coffee in the afternoon, instead they juggled with some harmful bugs inside their laptop. Yanmar Sb 8 Owners Manual is available in our book collection an online access to it is set as public so you can download it instantly. Our digital library spans in multiple locations, allowing you to get the most less latency time to download any of our books like this one. Merely said, Yanmar Sb 8 Owners Manual is universally compatible with any devices to read.

Find Yanmar Sb 8 Owners Manual :

[theory of machines and mechanisms solution manual](#)

[theology and pastoral counseling a new interdisciplinary approach](#)

thea exam guide

thermo king user manual

~~the wreckers the florida keys volume 3~~

thermo genesys 20 operation manual

the yoga deck 50 poses and meditations for body mind and spirit

the wrecker an isaac bell adventure

the worst thing ive done a novel

the worlds greatest lighthouses

theory and applications of ofdm and cdma wideband wireless communications

the working life a renaissance painters studio

the world trade organization a very short introduction

theories of public organization wadsworth series in public administration

thermal radiation heat transfer siegel solutions manual

Yanmar Sb 8 Owners Manual :

biathlon das rasante brettspiel ebay - Feb 01 2023

web dec 18 2022 ba is additionally useful you have remained in right site to start getting this info get the biathlon das rasante brettspiel brettspielbuch ba partner that we meet

biathlon das rasante brettspiel brettspielbuch ba 2023 - Apr 03 2023

web biathlon das rasante brettspiel brettspielbuch ba pdf recognizing the way ways to get this books biathlon das rasante brettspiel brettspielbuch ba pdf is additionally

biathlon das rasante brettspiel brettspielbuch ba pdf - Aug 07 2023

web glued binding 36 p brettspielbuch 1 contact this seller high po box 318 oxon united kingdom 27 99 add to cart add this copy of biathlon das rasante

biathlon das rasante brettspiel brettspielbuch ba 2023 - Mar 22 2022

web biathlon das rasante brettspiel brettspielbuch ba 1 biathlon das rasante brettspiel brettspielbuch ba bolt action empires in flames classified burnished rows of steel

biathlon das rasante brettspiel brettspielbuch ba - Feb 18 2022

web biathlon das rasante brettspiel brettspielbuch ba 1 biathlon das rasante brettspiel brettspielbuch ba dark heresy bolt action battleground europe purgatorio

biathlon das rasante brettspiel brettspielbuch ba webmail - Nov 17 2021

biathlon das rasante brettspiel brettspielbuch band 1 by york p - Sep 27 2022

web reviewing biathlon das rasante brettspiel brettspielbuch ba unlocking the spellbinding force of linguistics in a fast paced world fueled by information and

biathlon das rasante brettspiel brettspielbuch ba pdf 2023 - Mar 02 2023

web may 6 2022 find many great new used options and get the best deals for biathlon das rasante brettspiel at the best online prices at ebay free shipping for many products

biathlon das rasante brettspiel brettspielbuch ba - Jan 20 2022

web 4 biathlon das rasante brettspiel brettspielbuch ba 2023 01 16 citizens seem to be discovering the fourth the right to alter or abolish a form of government that leads

biathlon das rasante brettspiel brettspielbuch ba full pdf - Dec 19 2021

web 2 biathlon das rasante brettspiel brettspielbuch ba 2022 11 25 jackson games in the early 90s somalia was a country in chaos as civil war raged warlords carved out their

biathlon das rasante brettspiel brettspielbuch ba pdf pdf - Jul 26 2022

web 2 biathlon das rasante brettspiel brettspielbuch ba 2022 12 23 bolt action empires in flames bloomsbury publishing most who read the declaration of independence find

biathlon das rasante brettspiel brettspielbuch ba - May 24 2022

web in unserem shop kann man die spielideen der winterspiele und dazu passende urkunden erwerben wir haben dazu eine tolle projektplanung erstellt die die stundengestaltung

biathlon das rasante brettspiel by york p herpers alibris - Jul 06 2023

web alle bücher von expert innen geprüft entdecke unsere riesenauswahl und bestelle ohne risiko nachhaltig und günstig

biathlon das rasante brettspiel brettspielbuch ba pdf kelliemay - Dec 31 2022

web sep 14 2023 unserer webseite zu analysieren biathlon das rasante brettspiel brettspielbuch band 1 june 2nd 2020 biathlon das rasante brettspiel

biathlon das rasante brettspiel brettspielbuch band 1 rebuy - Jun 05 2023

web biathlon das rasante brettspiel von york p herpers kartonierter einband jetzt buch zum tiefpreis von chf 19 10 portofrei bei ex libris bestellen schön sind sie da

biathlon das rasante brettspiel brettspielbuch ba download - Oct 29 2022

web sep 26 2023 biathlon das rasante brettspiel brettspielbuch band 1 june 2nd 2020 biathlon das rasante brettspiel brettspielbuch band 1 herpers york p isbn

biathlon das rasante brettspiel ex libris - May 04 2023

web feb 23 2023 biathlon das rasante brettspiel brettspielbuch ba recognizing the way ways to acquire this books biathlon das rasante brettspiel brettspielbuch ba is

biathlon das rasante brettspiel brettspielbuch band 1 - Oct 09 2023

web biathlon das rasante brettspiel volume 1 brettspielbuch herpers york p amazon com tr kitap

biathlon wintersport in der turnhalle lustige spielidee für kinder - Apr 22 2022

web 2 biathlon das rasante brettspiel brettspielbuch ba 2022 07 25 rescue mission to save a downed black hawk helicopter carried out by us rangers and delta force operatives

biathlon das rasante brettspiel brettspielbuch ba - Jun 24 2022

web biathlon das rasante brettspiel brettspielbuch ba book review unveiling the power of words in a global driven by information and connectivity the ability of words has be more

biathlon das rasante brettspiel brettspielbuch ba copy - Aug 27 2022

web such could be the essence of the book biathlon das rasante brettspiel brettspielbuch ba pdf a literary masterpiece that delves deep into the significance of words and their effect

biathlon das rasante brettspiel volume 1 brettspielbuch - Sep 08 2023

web 2 biathlon das rasante brettspiel brettspielbuch ba 2021 11 09 mohamed farrah aidid who was to proclaim himself president of somalia and embark upon a campaign to force

biathlon das rasante brettspiel brettspielbuch band 1 by york p - Nov 29 2022

web biathlon das rasante brettspiel brettspielbuch ba biathlon das rasante brettspiel brettspielbuch ba 2023 web biathlon das rasante brettspiel brettspielbuch band 1

holy quran with english on the app store - Oct 30 2022

web the holy quran translated into english by maulana sher ali is published by the ahmadiyya muslim community an international religious community founded in 1889 that spans more than 200 countries the arabic text of the holy quran in this application which is the exact same text found univers

quran english translation clear easy to read in modern english - Apr 23 2022

web aug 17 2014 the text purely and accurately translates the holy quran from arabic into contemporary english it was translated by a muslim who saw firsthand the miracles inside the quran his

this quran quran in english - Jun 06 2023

web quran 1992 in order to discredit it since then talal has been studying the quran researching it and teaching it to others talal decided to translate the quran when he gave up all hope of finding an english translation that is at the same time highly accurate and very easy to read words of the translator the quran is a reminder

the holy quran english apps on google play - Feb 02 2023

web sep 15 2023 quran the complete english translation with the option of having the original arabic text or transliteration shown listen to 10 different recitations including english and arabic stream or download for offline mode tafseer commentary

by scholars across the world

quran in english clear pure easy to understand - May 05 2023

web the holy quran translated into simple english it uses common vocabulary clean sentence structure and highly accurate meaning a new translation for a modern era read it online text mp3 pdf and downloads in the name of god the compassionate the merciful praise be to god lord of the worlds the compassionate the merciful

pdf the holy quran text translation and commentary - Aug 08 2023

web jul 25 2021 english this is the english translation and commentary tafsir of the holy qur an with arabic text by world famous muslim scholar abdullah yusuf ali it is one of the most widely known and used qur an exegesis in the english speaking world

the quran download the quran here in full length pdf - Mar 23 2022

web may 11 2010 english quran alhilali khan version pdf 29 5 mb english quran with commentaries by yusuf ali pdf 7 42 mb we also have a modern quran translation in plain english here link you can buy a print version of the quran here link the entire quran podcast with english translation here you can listen to all 110 chapters of the

quran transliteration making it easy to read quran my islam - May 25 2022

web quran transliteration makes it easy to read the quran complete transliteration of every surah in holy quran with english translation includes arabic

read the holy quran online with translations english urdu - Apr 04 2023

web read the holy quran online and listen to the beautiful recitation of every surah translations are available in english urdi farsi turkish and more languages

english translations of the quran wikipedia - Sep 28 2022

web the holy qur an arabic text and english translation 1990 was the first translation by a muslim woman amatul rahman omar the noble quran meaning with explanatory notes 2007 by taqi usmani is the first english translation of the quran ever written by a traditionalist deobandi scholar

quran in english and arabic with recitations with easy - Nov 30 2022

web with easy translation quran 1 in the name of god the gracious the merciful 2 praise be to god lord of the worlds 3 the most gracious the most merciful

the qur an with annotated interpretation in modern english - Jul 07 2023

web the qur an with annotated interpretation in modern english is an english translation of the meanings of qur an written by turkish sunni muslim scholar ali Ünal first published in 2006

the holy quran translated in modern english with a explanation - Mar 03 2023

web aug 17 2019 the holy quran translated in modern english with a explanation to help you for understanding 2019 the islamic book of allah gog ech team e c h team independently published aug 17 2019

[quran translations wikipedia](#) - Feb 19 2022

web in 2018 musharraf hussain released the majestic quran a plain english translation a reader friendly presentation of the translation of the qur'an aiming to help readers understand the topic being read and learn the moving and transformative message of the qur'an there are 1500 sections with headings

the noble quran quran com - Oct 10 2023

web the quran translated into many languages in a simple and easy interface settings voice search powered by your journey with the quran whether you aim to read 10 minutes a day complete a juz in a month or finish the entire quran in a year etc quran com can now help you set a custom goal and keep track of your daily reading streaks

quran in english apps on google play - Jun 25 2022

web jun 23 2017 the best quran translation in modern english clear pure easy to understand most faithful to the arabic original the app is easy to use and is great for exploring the quran studying the quran listening reading searching the quran highly accurate translation in contemporary english

holy quran translated in modern english umair mirza free - Aug 28 2022

web jun 1 2012 quran holy quran koran english quran quran english english translation of quran english literature islamic books islamic literature muslim islam arabic translations collection opensource language english

[the holy quran english](#) - Jul 27 2022

web english recitation quran in language arabic with meanings translated into english listen to the quran kareem with the voice of the most famous quran reciters quran in english list of surahs of quran translated quran recitation quran mp3 download

[the holy quran translation by abdullah yusuf ali 2022](#) - Jan 01 2023

web the 1946 a yusuf ali quran translation in english with arabic text published online by it smydeen org 2022 free to read search holy quran translation

quran in english clear and easy to read - Sep 09 2023

web perhaps the best quran english translation clear accurate easy to understand most faithful to the original in modern english read listen search download

[modern industrial microbiology and biotechnology](#) - Aug 21 2023

crc press mar 9 2016 science 550 pages this book is directed towards undergraduates and beginning graduate students in

microbiology food science and chemical engineering

modern industrial microbiology and biotechnology academia edu - May 06 2022

dec 14 2020 modern industrial microbiology and biotechnology by nduka okafor 0 ratings 7 want to read 1 currently reading 0 have read this edition doesn't have a description yet

modern industrial microbiology and biotechnology 2nd - Sep 22 2023

dec 4 2017 abstract the field of industrial microbiology involves a thorough knowledge of the microbial physiology behind the processes in the large scale profit oriented production

modern industrial microbiology and biotechnology google books - May 18 2023

jan 1 2017 the field of industrial microbiology involves a thorough knowledge of the microbial physiology behind the processes in the large scale profit oriented production of microbe

modern industrial microbiology and biotechnology edition 2 - Nov 12 2022

the present book is an attempt to provide its readers with compiled and updated information in the area of industrial microbiology and biotechnology this book provides the basics of

modern industrial microbiology and biotechnology paperback - Jan 02 2022

modern industrial microbiology and biotechnology - Mar 16 2023

modern industrial microbiology and biotechnology nduka okafor benedict c okeke published in 2018 reprint in 2020 in boca raton by crc press services

industrial microbiology an overview sciencedirect topics - Feb 03 2022

modern industrial microbiology and biotechnology second edition - Feb 15 2023

the new elements which have necessitated the shift in paradigm in industrial microbiology such as bioinformatics genomics proteomics site directed mutation metabolic engineering the

modern industrial microbiology and biotechnology - Apr 17 2023

introduction introduction of industrial microbiology and biotechnology biological basis of productivity in industrial microbiology and biotechnology microorganisms in industrial

biomanufacturing history and perspective journal of industrial - Jun 07 2022

latest issue volume 50 issue 1 2023 latest editor's choice utilizing a divalent metal ion transporter to control biogenic nanoparticle synthesis manasi subhash gangan and others

modern industrial microbiology and biotechnology 2nd ed - Jul 08 2022

industrial biochemistry microbiology and biotechnology involve the use of microorganisms and other micro and macro molecules purposely to achieve specific goals basically it

modern industrial microbiology and biotechnology google books - Jun 19 2023

some microorganisms commonly used in industrial microbiology and biotechnology 2 1 basic nature of cells of living things 2 2 classification of living

modern industrial microbiology and biotechnology softcover - Aug 09 2022

may 1 2017 tribute to army demain industrial microbiologist extraordinaire celebration of the 90th birthday of arnold demain introduction biomanufacturing is a type of manufacturing that

modern industrial microbiology and biotechnology searchworks - Dec 13 2022

modern industrial microbiology and biotechnology second edition nduka okafor google books the field of industrial microbiology involves a thorough knowledge of the microbial

modern industrial microbiology and biotechnology ghent - Jan 14 2023

about this ebook arrow forward the field of industrial microbiology involves a thorough knowledge of the microbial physiology behind the processes in the large scale profit oriented

modern industrial microbiology and biotechnology open library - Mar 04 2022

mar 31 2021 introduction introduction of industrial microbiology and biotechnology biological basis of productivity in industrial microbiology and biotechnology

modern industrial microbiology and biotechnology second - Oct 11 2022

modern industrial microbiology and biotechnology by okafor nduka okeke benedict c isbn 10 0367781670 isbn 13 9780367781675 crc press 2021 softcover

industrial microbiology and biotechnology springerlink - Sep 10 2022

the field of industrial microbiology involves a thorough knowledge of the microbial physiology behind the processes in the large scale profit oriented production of microbe related goods

journal of industrial microbiology and biotechnology oxford - Apr 05 2022

the field of industrial microbiology and biotechnology has had a lot of beneficial contributions in the areas of healthcare agriculture food production the manufacture of industrial

modern industrial microbiology and biotechnology - Jul 20 2023

crc press nov 22 2017 medical 488 pages the field of industrial microbiology involves a thorough knowledge of the microbial physiology behind the processes in the large scale