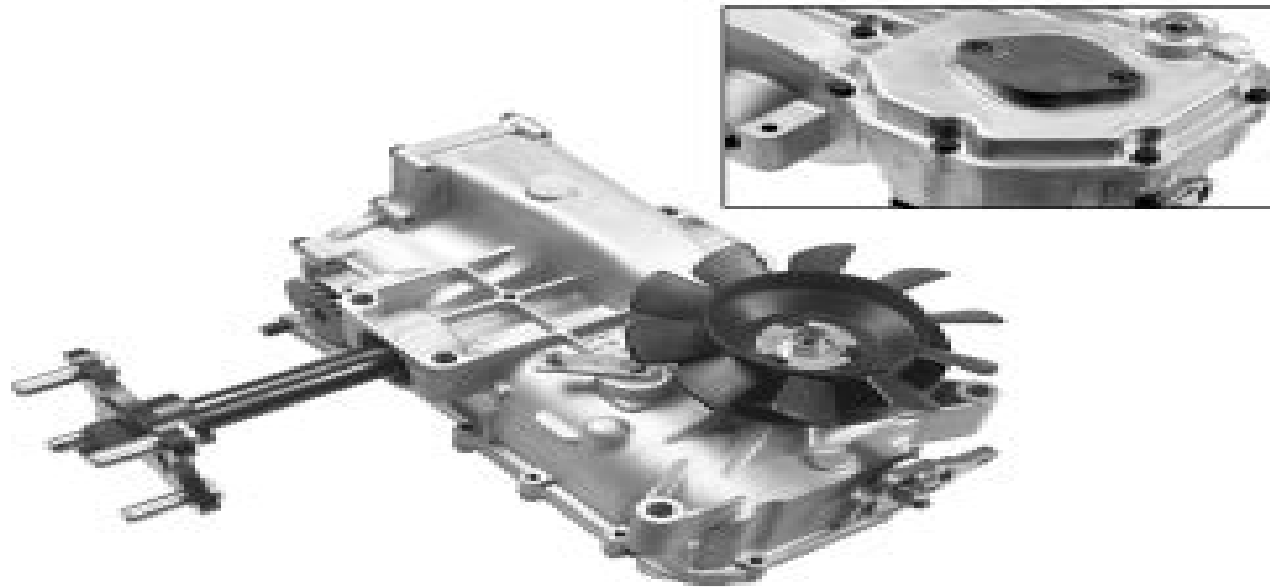




We set the wheels in motion.®



**310-2400/2600
Integrated Zero-Turn Transaxle
Service and Repair Manual**

BLN-51134
January 2004

Toro Timecutter Zx525 Manual

G Psacharopoulos



Toro Timecutter Zx525 Manual:

This book delves into Toro Timecutter Zx525 Manual. Toro Timecutter Zx525 Manual is a crucial topic that needs to be grasped by everyone, from students and scholars to the general public. The book will furnish comprehensive and in-depth insights into Toro Timecutter Zx525 Manual, encompassing both the fundamentals and more intricate discussions.

1. This book is structured into several chapters, namely:
 - Chapter 1: Introduction to Toro Timecutter Zx525 Manual
 - Chapter 2: Essential Elements of Toro Timecutter Zx525 Manual
 - Chapter 3: Toro Timecutter Zx525 Manual in Everyday Life
 - Chapter 4: Toro Timecutter Zx525 Manual in Specific Contexts
 - Chapter 5: Conclusion
2. In chapter 1, this book will provide an overview of Toro Timecutter Zx525 Manual. The first chapter will explore what Toro Timecutter Zx525 Manual is, why Toro Timecutter Zx525 Manual is vital, and how to effectively learn about Toro Timecutter Zx525 Manual.
3. In chapter 2, this book will delve into the foundational concepts of Toro Timecutter Zx525 Manual. The second chapter will elucidate the essential principles that need to be understood to grasp Toro Timecutter Zx525 Manual in its entirety.
4. In chapter 3, the author will examine the practical applications of Toro Timecutter Zx525 Manual in daily life. The third chapter will showcase real-world examples of how Toro Timecutter Zx525 Manual can be effectively utilized in everyday scenarios.
5. In chapter 4, the author will scrutinize the relevance of Toro Timecutter Zx525 Manual in specific contexts. The fourth chapter will explore how Toro Timecutter Zx525 Manual is applied in specialized fields, such as education, business, and technology.
6. In chapter 5, this book will draw a conclusion about Toro Timecutter Zx525 Manual. The final chapter will summarize the key points that have been discussed throughout the book.

This book is crafted in an easy-to-understand language and is complemented by engaging illustrations. It is highly recommended for anyone seeking to gain a comprehensive understanding of Toro Timecutter Zx525 Manual.

https://ftp.barnabastoday.com/book/Resources/Download_PDFS/vanitas%20vanitatum%20omnia%20vanitas%20154ste%20almanak%20ijdelheid.pdf

Table of Contents Toro Timecutter Zx525 Manual

1. Understanding the eBook Toro Timecutter Zx525 Manual
 - The Rise of Digital Reading Toro Timecutter Zx525 Manual
 - Advantages of eBooks Over Traditional Books
2. Identifying Toro Timecutter Zx525 Manual
 - Exploring Different Genres
 - Considering Fiction vs. Non-Fiction
 - Determining Your Reading Goals
3. Choosing the Right eBook Platform
 - Popular eBook Platforms
 - Features to Look for in an Toro Timecutter Zx525 Manual
 - User-Friendly Interface
4. Exploring eBook Recommendations from Toro Timecutter Zx525 Manual
 - Personalized Recommendations
 - Toro Timecutter Zx525 Manual User Reviews and Ratings
 - Toro Timecutter Zx525 Manual and Bestseller Lists
5. Accessing Toro Timecutter Zx525 Manual Free and Paid eBooks
 - Toro Timecutter Zx525 Manual Public Domain eBooks
 - Toro Timecutter Zx525 Manual eBook Subscription Services
 - Toro Timecutter Zx525 Manual Budget-Friendly Options
6. Navigating Toro Timecutter Zx525 Manual eBook Formats
 - ePub, PDF, MOBI, and More
 - Toro Timecutter Zx525 Manual Compatibility with Devices
 - Toro Timecutter Zx525 Manual Enhanced eBook Features
7. Enhancing Your Reading Experience
 - Adjustable Fonts and Text Sizes of Toro Timecutter Zx525 Manual
 - Highlighting and Note-Taking Toro Timecutter Zx525 Manual
 - Interactive Elements Toro Timecutter Zx525 Manual

8. Staying Engaged with Toro Timecutter Zx525 Manual
 - Joining Online Reading Communities
 - Participating in Virtual Book Clubs
 - Following Authors and Publishers Toro Timecutter Zx525 Manual
9. Balancing eBooks and Physical Books Toro Timecutter Zx525 Manual
 - Benefits of a Digital Library
 - Creating a Diverse Reading Collection Toro Timecutter Zx525 Manual
10. Overcoming Reading Challenges
 - Dealing with Digital Eye Strain
 - Minimizing Distractions
 - Managing Screen Time
11. Cultivating a Reading Routine Toro Timecutter Zx525 Manual
 - Setting Reading Goals Toro Timecutter Zx525 Manual
 - Carving Out Dedicated Reading Time
12. Sourcing Reliable Information of Toro Timecutter Zx525 Manual
 - Fact-Checking eBook Content of Toro Timecutter Zx525 Manual
 - Distinguishing Credible Sources
13. Promoting Lifelong Learning
 - Utilizing eBooks for Skill Development
 - Exploring Educational eBooks
14. Embracing eBook Trends
 - Integration of Multimedia Elements
 - Interactive and Gamified eBooks

Toro Timecutter Zx525 Manual Introduction

In this digital age, the convenience of accessing information at our fingertips has become a necessity. Whether its research papers, eBooks, or user manuals, PDF files have become the preferred format for sharing and reading documents. However, the cost associated with purchasing PDF files can sometimes be a barrier for many individuals and organizations. Thankfully, there are numerous websites and platforms that allow users to download free PDF files legally. In this article, we will explore some of the best platforms to download free PDFs. One of the most popular platforms to download free PDF files is Project

Gutenberg. This online library offers over 60,000 free eBooks that are in the public domain. From classic literature to historical documents, Project Gutenberg provides a wide range of PDF files that can be downloaded and enjoyed on various devices. The website is user-friendly and allows users to search for specific titles or browse through different categories. Another reliable platform for downloading Toro Timecutter Zx525 Manual free PDF files is Open Library. With its vast collection of over 1 million eBooks, Open Library has something for every reader. The website offers a seamless experience by providing options to borrow or download PDF files. Users simply need to create a free account to access this treasure trove of knowledge. Open Library also allows users to contribute by uploading and sharing their own PDF files, making it a collaborative platform for book enthusiasts. For those interested in academic resources, there are websites dedicated to providing free PDFs of research papers and scientific articles. One such website is Academia.edu, which allows researchers and scholars to share their work with a global audience. Users can download PDF files of research papers, theses, and dissertations covering a wide range of subjects. Academia.edu also provides a platform for discussions and networking within the academic community. When it comes to downloading Toro Timecutter Zx525 Manual free PDF files of magazines, brochures, and catalogs, Issuu is a popular choice. This digital publishing platform hosts a vast collection of publications from around the world. Users can search for specific titles or explore various categories and genres. Issuu offers a seamless reading experience with its user-friendly interface and allows users to download PDF files for offline reading. Apart from dedicated platforms, search engines also play a crucial role in finding free PDF files. Google, for instance, has an advanced search feature that allows users to filter results by file type. By specifying the file type as "PDF," users can find websites that offer free PDF downloads on a specific topic. While downloading Toro Timecutter Zx525 Manual free PDF files is convenient, its important to note that copyright laws must be respected. Always ensure that the PDF files you download are legally available for free. Many authors and publishers voluntarily provide free PDF versions of their work, but its essential to be cautious and verify the authenticity of the source before downloading Toro Timecutter Zx525 Manual. In conclusion, the internet offers numerous platforms and websites that allow users to download free PDF files legally. Whether its classic literature, research papers, or magazines, there is something for everyone. The platforms mentioned in this article, such as Project Gutenberg, Open Library, Academia.edu, and Issuu, provide access to a vast collection of PDF files. However, users should always be cautious and verify the legality of the source before downloading Toro Timecutter Zx525 Manual any PDF files. With these platforms, the world of PDF downloads is just a click away.

FAQs About Toro Timecutter Zx525 Manual Books

How do I know which eBook platform is the best for me? Finding the best eBook platform depends on your reading

preferences and device compatibility. Research different platforms, read user reviews, and explore their features before making a choice. Are free eBooks of good quality? Yes, many reputable platforms offer high-quality free eBooks, including classics and public domain works. However, make sure to verify the source to ensure the eBook credibility. Can I read eBooks without an eReader? Absolutely! Most eBook platforms offer web-based readers or mobile apps that allow you to read eBooks on your computer, tablet, or smartphone. How do I avoid digital eye strain while reading eBooks? To prevent digital eye strain, take regular breaks, adjust the font size and background color, and ensure proper lighting while reading eBooks. What the advantage of interactive eBooks? Interactive eBooks incorporate multimedia elements, quizzes, and activities, enhancing the reader engagement and providing a more immersive learning experience. Toro Timecutter Zx525 Manual is one of the best book in our library for free trial. We provide copy of Toro Timecutter Zx525 Manual in digital format, so the resources that you find are reliable. There are also many Ebooks of related with Toro Timecutter Zx525 Manual. Where to download Toro Timecutter Zx525 Manual online for free? Are you looking for Toro Timecutter Zx525 Manual PDF? This is definitely going to save you time and cash in something you should think about.

Find Toro Timecutter Zx525 Manual :

vanitas vanitatum omnia vanitas 154ste almanak ijdelheid

[van kim tot kim verhalen fotos tekeningen van zeevarenden](#)

vampire romance books online

[variation risk management focusing quality improvements in product development and production](#)

[vajh13 relay manual](#)

[vademecum ruimtelijke planning](#)

vater sein auch nicht leicht ebook

valley of the shadow the desolate empire book 2

[vauxhall manuals mokka](#)

[uzbekistan the golden road to samarkand odyssey uzbekistan](#)

variety reduction program a production strategy for product diversification

[vaccinated one mans quest to defeat the worlds deadliest diseases](#)

[van eenheid de breuk gedichten](#)

vauxhall astra models workshop manual

vampyre sanguinomicon the lexicon of the living vampire by father sebastiaan september 012010

Toro Timecutter Zx525 Manual :

[if i grow up book by todd strasser simon schuster](#) - Jul 13 2023

web in a gripping novel with a plot pulled from the headlines todd strasser turns his attention to gang life in the inner city projects deshawn is a teenager growing up in the projects most of his friends only see one choice join up to a gang

if i grow up by todd strasser publishers weekly - Mar 09 2023

web if i grow up todd strasser simon schuster 16 99 222pp isbn 978 1 4169 2523 1 in this superficially compelling but heavy handed book about gang culture narrator deshawn faces tough

if i grow up kirkus reviews - Jun 12 2023

web feb 24 2009 if i grow up by todd strasser release date feb 24 2009 inner city teen deshawn fights to keep his head above water while trapped in a violent gang ridden nightmare as his friends and family succumb to drug deals murder and shootouts

if i grow up by todd strasser ebook scribd - Feb 25 2022

web feb 24 2009 how can he stick to his principles when his family is hungry in this gritty novel about growing up in the inner city award winning author todd strasser opens a window into the life of a teenager struggling with right and wrong under the ever present shadow of gangs

if i grow up strasser todd 9781416925231 books amazon ca - May 31 2022

web in this gritty novel about growing up in the inner city award winning author todd strasser opens a window into the life of a teenager struggling with right and wrong under the ever present shadow of gangs

if i grow up amazon co uk strasser todd 9781847387318 books - Oct 04 2022

web in this gritty novel about growing up in the inner city projects award winning author todd strasser opens a window into the life of a teenager struggling with right and wrong under the ever present shadow of gangs read more print length 240 pages language english publisher simon schuster children s uk

amazon com if i grow up ebook strasser todd kindle store - Aug 02 2022

web feb 11 2009 in this gritty novel about growing up in the inner city award winning author todd strasser opens a window into the life of a teenager struggling with right and wrong under the ever present shadow of gangs

[if i grow up strasser todd 9781416994435 amazon com books](#) - Sep 15 2023

web feb 23 2010 in a gripping novel with a plot pulled from the headlines todd strasser turns his attention to gang life in the inner city projects deshawn is a teenager growing up in the projects most of his friends only see one choice join up to a gang

if i grow up ebook strasser todd amazon co uk kindle store - Mar 29 2022

web todd strasser takes readers into the life of one teen living in just such a world deshawn lives with his grandmother and

his sister his grandmother cleans for a living but even though she s not old by the suburbs standards she is old and tired here in the inner city

if i grow up by todd strasser goodreads - Oct 16 2023

web feb 24 2009 if i grow up by todd strasser is a realistic fiction set in new york this book is about teenagers who live in the hood they were poor no one want to go nearby because is danger is full of gangster but they only allowed peoples live there if

[if i grow up strasser todd free download borrow and](#) - Apr 29 2022

web ages 12 up growing up in the inner city projects deshawn is reluctantly forced into the gang world by circumstances beyond his control includes bibliographical references p 221 222 access restricted item true

if i grow up todd strasser google books - May 11 2023

web how can he stick to his principles when his family is hungry in this gritty novel about growing up in the inner city projects award winning author todd strasser opens a window into the

[if i grow up by todd strasser hardcover barnes noble](#) - Jan 07 2023

web feb 24 2009 in this gritty novel about growing up in the inner city award winning author todd strasser

[if i grow up by todd strasser books on google play](#) - Sep 03 2022

web if i grow up ebook written by todd strasser read this book using google play books app on your pc android ios devices download for offline reading highlight bookmark or take notes while you read if i grow up

if i grow up summary supersummary - Dec 06 2022

web todd strasser s if i grow up is a 2009 ya novel about a young teen s struggles in the inner city projects of chicago the protagonist deshawn faces gang violence shootouts drug dealers and the fear that he might never get a chance to grow up

if i grow up ebook by todd strasser official publisher page - Feb 08 2023

web in this gritty novel about growing up in the inner city projects award winning author todd strasser opens a window into the life of a teenager struggling with right and wrong under the ever present shadow of gangs

if i grow up todd strasser google books - Apr 10 2023

web how can he stick to his principles when his family is hungry in this gritty novel about growing up in the inner city award winning author todd strasser opens a window into the life of a teenager struggling with right and wrong under the ever present shadow of gangs

if i grow up todd strasser google books - Aug 14 2023

web feb 24 2009 how can he stick to his principles when his family is hungry in this gritty novel about growing up in the inner city award winning author todd strasser opens a window into the life of a

if i grow up strasser todd free download borrow and - Jul 01 2022

web if i grow up by strasser todd publication date 2009 topics gangs violence inner cities poverty african americans gangs violence inner cities poverty african americans african american men public housing realistic fiction urban fiction street life publisher new york simon schuster books for young readers collection

if i grow up book by todd strasser official publisher page - Nov 05 2022

web in a gripping novel with a plot pulled from the headlines todd strasser turns his attention to gang life in the inner city projects deshawn is a teenager growing up in the projects most of his friends only see one choice join up to a gang

the big guide to tiny house living the family handyman - Jul 03 2023

web jul 8 2021 building vs buying a tiny house building a tiny house from scratch means you can design your little dream home and customize it to a tee buying an existing tiny house and either moving to the house or moving the house to you means you make your transition to a tiny house more quickly

10 tiny home interior ideas to help complete your space - Sep 24 2022

web jun 9 2023 only keep in your home what you need you can always build or rent an additional storage space outside the home strictly apply the multifunctional spaces furniture items and the minimalist lifestyle to increase your families comfort in a tiny home 5 tiny home interior kitchen downsizing

tiny house ideas and how to steal them for your home angi - Dec 28 2022

web mar 30 2022 1 minimalism geometric and sleek minimalist rooms feel airy and spacious and often incorporate natural looking neutrals or basic black and white palettes 2 large windows often included in modern style homes large glass windows let you feel especially at one with nature they also let in more natural light reducing the need for electricity

40 creative tiny house ideas for inspiration tiny heirloom - Sep 05 2023

web 40 creative tiny house ideas there are countless benefits to joining the tiny house movement from financial to environmental to psychological and more as many as 68 percent of those who own a tiny home are able to live mortgage free others drastically reduce their carbon footprint

tiny house living ideas for building living well in less than - Mar 19 2022

web penguin jun 16 2014 house home 176 pages tiny house large lifestyle tiny homes are popping up across america captivating people with their novel approach not only to housing but to life

tiny house movement mendesain mengembangkan rumah - Dec 16 2021

web jan 28 2020 tiny house movement berkembang dengan dasar pemikiran living simply in a small homes interiordesign id tiny house movement telah menjadi sebuah gerakan sosial yang mengembangkan tempat tinggal atau hunian berukuran sangat kecil atau mungil gerakan ini sangat populer akhir akhir ini terutama di amerika serikat

the rise of modern tiny house ideas - Jul 23 2022

web sep 14 2023 welcome to the wonderful world of tiny house movement this sweet trend is gaining an unstoppable momentum largely driven by a trio of factors creating this perfect storm simplified living an increasing environmental consciousness and

23 tiny house living room ideas for that small cosy space - Apr 19 2022

web apr 1 2022 given that living rooms are one of the most lived in spaces in a home getting tiny house living room ideas is important if you re considering this type of living space let s get inspired tiny house living room ideas quick look 1 living room kitchen open space 2 small arm chair 3 oversized arm chair 4 built in banquette

living in a tiny house here s what to expect in 2023 - Feb 15 2022

web living in a tiny house compared to a normal house how living in a tiny house can save money ways that living in a tiny house will reduce your costs utility payments becomes a fraction of the cost live in any location your building cost will be drastically less no much furniture is needed social media glorification vs reality of living

tiny house interiors simple stylish design ideas the tiny life - Jun 02 2023

web jul 5 2022 sleek lines open spaces and lots of light are all modern design elements that make a small space feel bigger minimalism and tiny living often go hand in hand when you move into a tiny house decluttering your life is often a necessity

82 best tiny houses 2023 small house pictures plans country living - May 01 2023

web jul 25 2022 is there anything more quaint than a tiny house with the increasing popularity of these homes we have rounded up also our favorite tiny house plans and small houses they re practically tiny to let you ooo and ah over them and maybe even dream up your own tiny home to build or buy

your guide to tiny house living extra space storage - May 21 2022

web oct 10 2023 from the benefits of buying a mini house to the basics of getting started with tiny house living check out our guide for the ins and outs of tiny home living what is a tiny house what are the benefits of tiny living how do i start tiny house living where can i build a tiny house

18 amazing tiny home floor plans house beautiful - Aug 24 2022

web apr 28 2023 diy projects 18 amazing tiny home floor plans no architect is required for these tiny houses by kate mcgregor published apr 28 2023 save article imaginima getty images whether you plan

[tiny house living ideas for building living well in less than](#) - Jun 21 2022

web jul 14 2014 tiny house large lifestyle tiny homes are popping up across america captivating people with their novel approach not only to housing but to life once considered little more than a charming oddity the tiny house movement continues to gain momentum among those who thirst for a simpler

newsmax 2 live wednesday nov 1 2023 watch newsmax2 live - Nov 14 2021

web nov 1 2023 watch newsmax2 live for the latest news and analysis on today s top stories from your favorite newsmax personalities newsmax2 weekday schedule 9 am

how to build a tiny house 11 step guide living in a tiny - Aug 04 2023

web oct 31 2023 building a tiny house can be an exciting and rewarding project whether you re looking for a simple and affordable living solution or a creative way to downsize a tiny house provides a unique opportunity for personal expression and freedom

the tiny houses expert guide how to plan build decorate and - Mar 31 2023

web mar 18 2021 architect george clarke agrees the tiny house movement allows young people to have independence and their own place that s affordable the british planning system should provide a way for young people to build tiny houses there are so many benefits it s cheaper both in terms of build and your running costs

100 tiny house design ideas for 2023 homecrux - Nov 26 2022

web 1 tiny house on wheels tiny house on wheels is presently the best way to live small and portable better known as trailer home or tiny house trailer since it can be constructed on a trailer hitched to the back of a truck and moved to a new location

6 tips for designing and building a tiny house archdaily - Feb 27 2023

web apr 2 2018 1 check local laws before you start designing often tiny houses are built on trailers to eliminate the need for building permits in the us and australia most tiny houses have wheels

80 best cute tiny house ideas that will inspire your mind - Oct 26 2022

web 1 the lighthouse shape this one looks unique because it is just like a lighthouse that is why i named it that i saw it once on a vacation and it immediately caught my eyes the colors were not so special but the idea was great source everyday minimalist 2 the wedge built by wheelhaus

loving the idea of tiny house living even if you don t live in one - Jan 29 2023

web mar 28 2021 in reality professionally built off the shelf tiny houses on wheels can cost three times more per square metre than standard houses the most popular size for a tiny house on wheels is 7 2 by 2

480 tiny house living ideas in 2023 pinterest - Jan 17 2022

web oct 8 2023 explore d neena s board tiny house living on pinterest see more ideas about tiny house living tiny house house

11 tiny house living room ideas anyone can copy the spruce - Oct 06 2023

web dec 14 2022 even with a dark rich color palette the furniture looks suited to the space because of the bright walls and ceilings a tiny living room doesn t have to mean small style here are 11 living room ideas that anyone

borax slideshare - Oct 05 2022

web determination of thermodynamic parameters of borax decision making analyses with thermodynamic parameters and hesitant fuzzy linguistic preference relations

determination of thermodynamic parameters of borax copy - May 12 2023

web three chemically important thermodynamic parameters ΔG , ΔH and ΔS for the dissolution of borax into borate ion in water $\text{Na}_2\text{B}_4\text{O}_7 \cdot 10\text{H}_2\text{O} \rightarrow 2\text{Na}^+ + \text{B}_4\text{O}_7^{2-}$

solved lab report determination of some thermodynamics - Mar 30 2022

web determination of thermodynamic parameters of borax 1 determination of thermodynamic parameters of borax right here we have countless book

the solubility and thermodynamics of borax lab report - Dec 07 2022

web determined by xrpD were used to assess the thermodynamic properties of borax dehydration as a function of temperature and pressure the resulting phase diagram is

determination of thermodynamic parameters of borax - Feb 26 2022

web the properties of thermodynamics in this reaction helped to determine the change in heat and spontaneity within the system experimental details to begin this experiment 15 20

effects of CO_2 and OH^- on the solubility metastable zone - Jan 28 2022

web determination of thermodynamic parameters of borax objective the relationship between K_{sp} , Gibbs free energy, enthalpy and entropy will be explored by using

203 thermodynamics of the dissolution of borax prexams - Aug 03 2022

web determination of thermodynamic parameters of borax thermodynamic properties of minerals and related substances at 298.15 K and 1 bar (10⁵ pascals) pressure and at

determination of thermodynamic parameters of borax pdf - Feb 09 2023

web purpose to determine the thermodynamic quantities H and S for the solvation reaction of borax in water by measuring the solubility product constant over the

11 solubility and borax experiment chemistry - Mar 10 2023

web tables of thermodynamic properties it begins with a chapter introducing the thermodynamic relations and functional forms for equations of state and goes on to

thermodynamics of the solubility of borax 2010 wofford college - Jan 08 2023

web thermodynamics of the solubility of borax purpose to determine the thermodynamic quantities H and S for the solvation reaction of borax in water by measuring the

determination of thermodynamic parameters of borax pdf - Sep 23 2021

determination of thermodynamic parameters of borax studylib net - Oct 25 2021

thermodynamics of the solubility of borax wofford college - Nov 06 2022

web after determination of K_{sp} at two different temperatures calculate ΔH° from knowing ΔG° at each temperature from $\Delta G^\circ = -RT \ln K_{sp}$ can be calculated from $\Delta G^\circ = \Delta H^\circ - T\Delta S^\circ$

lab 6 determination of thermodynamic parameters - Jun 13 2023

web determination of thermodynamic parameters of borax experimental determination of thermodynamic properties of nitrogen argon and their mixtures at 0 c and

determination of thermodynamic parameters of borax - Jul 02 2022

web expert answer transcribed image text determination of some thermodynamic data for the dissolution of borax laboratory report data name date molarity of the hcl solution

determination of thermodynamic parameters of borax - Apr 30 2022

web jun 26 2019 thermodynamic properties of borax dissolution enthalpy ΔH_{dis} and dissolution entropy ΔS_{dis} are important to investigate the dissolution behaviour of the

determination of thermodynamic parameters of borax just only - Apr 11 2023

web sep 22 2021 equation ref 10 is one form of the van t hoff equation that describes the temperature dependence of the thermodynamic equilibrium constant K on

determination of thermodynamic parameters of borax - Sep 04 2022

web answer to determination of the thermodynamic parameters for question determination of the thermodynamic parameters for the solvation of borax data

determination of the thermodynamic parameters for chegg com - Jun 01 2022

web determination of the equilibrium and thermodynamic parameters of heavy metal adsorption from aqueous solution onto grape stalks wastes the determination of

2611 thermodynamics of borax solubility chemistry libretexts - Jul 14 2023

web jun 17 2023 generalize the relationship of the solubility product constant and temperature determine the values of ΔH° and ΔS° for a reaction in this experiment you will

thermodynamics of borax mercer university - Aug 15 2023

web the titration reaction is $B_4O_5(OH)_4 \cdot 2H_2O + 4OH^- \rightarrow B_4O_5(OH)_4^{2-} + 2H_2O$ the determination of $B_4O_5(OH)_4^{2-}$ allows the calculation of the

value of K_{sp} at each temperature we will use a van t hoff plot to determine the thermodynamic parameters h and s from the *determination of thermodynamic parameters of borax* - Dec 27 2021

web determination of thermodynamic parameters of borax 1 determination of thermodynamic parameters of borax
determination of kinetic and thermodynamic

thermodynamics of borax lab report new york essays - Nov 25 2021