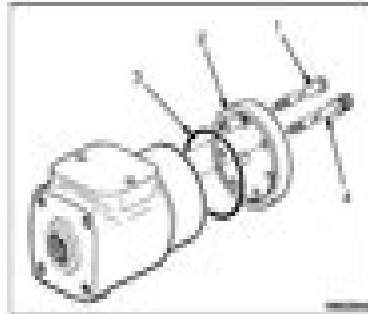


**STEP 3**

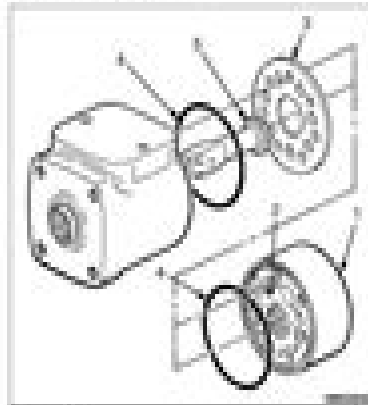
Remove the cover on the bottom of the steering control unit. Remove the check ball.



1. SCREW
2. COVER
3. CHECK BALL
4. SPECIAL FITTING

**STEP 4**

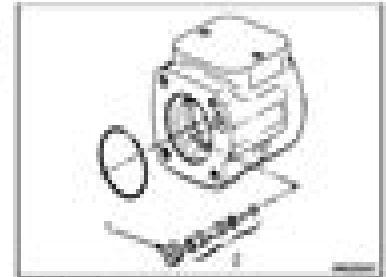
Remove the motor, rotor, and port plate. Put a mark on the rotor so that the same side will be toward the body of the control unit at assembly. Remove the O-ring. Remove the center shaft.



1. MOTOR
2. ROTOR
3. PORT PLATE
4. O-RING
5. CENTER SHAFT

**STEP 5**

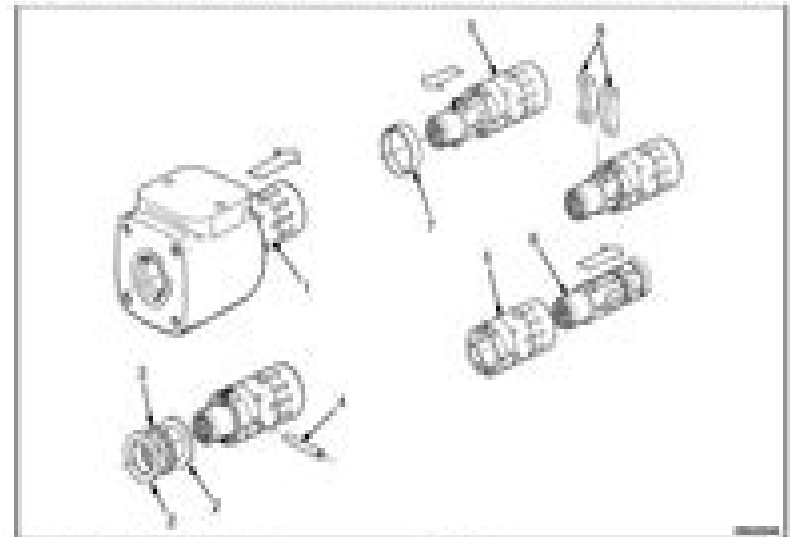
Remove the screws for the check valve assembly. Remove the parts for the check valve. For some units, the check ball is in the opposite end of the control unit.



1. SCREW
2. CHECK VALVE ASSEMBLY

**STEP 6**

Remove the spool and sleeve assembly. Remove the thrust bearing assembly from the spool. Push the center pin from the sleeve. Carefully remove the spool from the sleeve. Rotate the spool slowly during removal. Remove the ring from the sleeve. Remove the neutral position springs from the spool. Remove the seal from the housing.



- |                              |                             |
|------------------------------|-----------------------------|
| 1. SPOOL AND SLEEVE ASSEMBLY | 2. SLEEVE                   |
| 3. THRUST BEARING            | 3. SPOOL                    |
| 4. THRUST BEARING            | 4. SEAL                     |
| 5. CENTER PIN                | 5. NEUTRAL POSITION SPRINGS |

# Yale Glc50 Manual

**SB Merriam**



**Yale Glc50 Manual:**

*Yale Instruction and Parts Manual ,196?*

## Unveiling the Power of Verbal Beauty: An Psychological Sojourn through **Yale Glc50 Manual**

In some sort of inundated with monitors and the cacophony of instant communication, the profound energy and psychological resonance of verbal beauty often disappear in to obscurity, eclipsed by the continuous barrage of noise and distractions. However, located within the musical pages of **Yale Glc50 Manual**, a charming function of fictional splendor that pulses with natural emotions, lies an memorable journey waiting to be embarked upon. Written with a virtuoso wordsmith, that interesting opus instructions visitors on an emotional odyssey, softly revealing the latent possible and profound affect stuck within the elaborate web of language. Within the heart-wrenching expanse of this evocative analysis, we can embark upon an introspective exploration of the book is key styles, dissect their interesting publishing model, and immerse ourselves in the indelible impact it leaves upon the depths of readers souls.

<https://ftp.barnabastoday.com/public/publication/index.jsp/Whirlwind%20Of%20Evil%20The%20Storm%20Series%20Volume%20.pdf>

### **Table of Contents Yale Glc50 Manual**

1. Understanding the eBook Yale Glc50 Manual
  - The Rise of Digital Reading Yale Glc50 Manual
  - Advantages of eBooks Over Traditional Books
2. Identifying Yale Glc50 Manual
  - Exploring Different Genres
  - Considering Fiction vs. Non-Fiction
  - Determining Your Reading Goals
3. Choosing the Right eBook Platform
  - Popular eBook Platforms
  - Features to Look for in an Yale Glc50 Manual
  - User-Friendly Interface
4. Exploring eBook Recommendations from Yale Glc50 Manual

- Personalized Recommendations
  - Yale Glc50 Manual User Reviews and Ratings
  - Yale Glc50 Manual and Bestseller Lists
5. Accessing Yale Glc50 Manual Free and Paid eBooks
    - Yale Glc50 Manual Public Domain eBooks
    - Yale Glc50 Manual eBook Subscription Services
    - Yale Glc50 Manual Budget-Friendly Options
  6. Navigating Yale Glc50 Manual eBook Formats
    - ePub, PDF, MOBI, and More
    - Yale Glc50 Manual Compatibility with Devices
    - Yale Glc50 Manual Enhanced eBook Features
  7. Enhancing Your Reading Experience
    - Adjustable Fonts and Text Sizes of Yale Glc50 Manual
    - Highlighting and Note-Taking Yale Glc50 Manual
    - Interactive Elements Yale Glc50 Manual
  8. Staying Engaged with Yale Glc50 Manual
    - Joining Online Reading Communities
    - Participating in Virtual Book Clubs
    - Following Authors and Publishers Yale Glc50 Manual
  9. Balancing eBooks and Physical Books Yale Glc50 Manual
    - Benefits of a Digital Library
    - Creating a Diverse Reading Collection Yale Glc50 Manual
  10. Overcoming Reading Challenges
    - Dealing with Digital Eye Strain
    - Minimizing Distractions
    - Managing Screen Time
  11. Cultivating a Reading Routine Yale Glc50 Manual
    - Setting Reading Goals Yale Glc50 Manual
    - Carving Out Dedicated Reading Time
  12. Sourcing Reliable Information of Yale Glc50 Manual

- Fact-Checking eBook Content of Yale Glc50 Manual
  - Distinguishing Credible Sources
13. Promoting Lifelong Learning
- Utilizing eBooks for Skill Development
  - Exploring Educational eBooks
14. Embracing eBook Trends
- Integration of Multimedia Elements
  - Interactive and Gamified eBooks

### **Yale Glc50 Manual Introduction**

Free PDF Books and Manuals for Download: Unlocking Knowledge at Your Fingertips In today's fast-paced digital age, obtaining valuable knowledge has become easier than ever. Thanks to the internet, a vast array of books and manuals are now available for free download in PDF format. Whether you are a student, professional, or simply an avid reader, this treasure trove of downloadable resources offers a wealth of information, conveniently accessible anytime, anywhere. The advent of online libraries and platforms dedicated to sharing knowledge has revolutionized the way we consume information. No longer confined to physical libraries or bookstores, readers can now access an extensive collection of digital books and manuals with just a few clicks. These resources, available in PDF, Microsoft Word, and PowerPoint formats, cater to a wide range of interests, including literature, technology, science, history, and much more. One notable platform where you can explore and download free Yale Glc50 Manual PDF books and manuals is the internet's largest free library. Hosted online, this catalog compiles a vast assortment of documents, making it a veritable goldmine of knowledge. With its easy-to-use website interface and customizable PDF generator, this platform offers a user-friendly experience, allowing individuals to effortlessly navigate and access the information they seek. The availability of free PDF books and manuals on this platform demonstrates its commitment to democratizing education and empowering individuals with the tools needed to succeed in their chosen fields. It allows anyone, regardless of their background or financial limitations, to expand their horizons and gain insights from experts in various disciplines. One of the most significant advantages of downloading PDF books and manuals lies in their portability. Unlike physical copies, digital books can be stored and carried on a single device, such as a tablet or smartphone, saving valuable space and weight. This convenience makes it possible for readers to have their entire library at their fingertips, whether they are commuting, traveling, or simply enjoying a lazy afternoon at home. Additionally, digital files are easily searchable, enabling readers to locate specific information within seconds. With a few keystrokes, users can search for keywords, topics, or phrases, making research and finding relevant information a breeze. This efficiency saves time and

effort, streamlining the learning process and allowing individuals to focus on extracting the information they need. Furthermore, the availability of free PDF books and manuals fosters a culture of continuous learning. By removing financial barriers, more people can access educational resources and pursue lifelong learning, contributing to personal growth and professional development. This democratization of knowledge promotes intellectual curiosity and empowers individuals to become lifelong learners, promoting progress and innovation in various fields. It is worth noting that while accessing free Yale Glc50 Manual PDF books and manuals is convenient and cost-effective, it is vital to respect copyright laws and intellectual property rights. Platforms offering free downloads often operate within legal boundaries, ensuring that the materials they provide are either in the public domain or authorized for distribution. By adhering to copyright laws, users can enjoy the benefits of free access to knowledge while supporting the authors and publishers who make these resources available. In conclusion, the availability of Yale Glc50 Manual free PDF books and manuals for download has revolutionized the way we access and consume knowledge. With just a few clicks, individuals can explore a vast collection of resources across different disciplines, all free of charge. This accessibility empowers individuals to become lifelong learners, contributing to personal growth, professional development, and the advancement of society as a whole. So why not unlock a world of knowledge today? Start exploring the vast sea of free PDF books and manuals waiting to be discovered right at your fingertips.

### **FAQs About Yale Glc50 Manual Books**

How do I know which eBook platform is the best for me? Finding the best eBook platform depends on your reading preferences and device compatibility. Research different platforms, read user reviews, and explore their features before making a choice. Are free eBooks of good quality? Yes, many reputable platforms offer high-quality free eBooks, including classics and public domain works. However, make sure to verify the source to ensure the eBook credibility. Can I read eBooks without an eReader? Absolutely! Most eBook platforms offer web-based readers or mobile apps that allow you to read eBooks on your computer, tablet, or smartphone. How do I avoid digital eye strain while reading eBooks? To prevent digital eye strain, take regular breaks, adjust the font size and background color, and ensure proper lighting while reading eBooks. What the advantage of interactive eBooks? Interactive eBooks incorporate multimedia elements, quizzes, and activities, enhancing the reader engagement and providing a more immersive learning experience. Yale Glc50 Manual is one of the best book in our library for free trial. We provide copy of Yale Glc50 Manual in digital format, so the resources that you find are reliable. There are also many Ebooks of related with Yale Glc50 Manual. Where to download Yale Glc50 Manual online for free? Are you looking for Yale Glc50 Manual PDF? This is definitely going to save you time and cash in something you should

think about.

**Find Yale Glc50 Manual :**

**whirlwind of evil the storm series volume 2**

who was roberto clemente

**who kidnapped excellence what stops us from giving and being our best**

why the french dont like headscarves islam the state and public space

whispers-echoes-classic reprint peet

white magic arjun nath

*why believe in jesus*

white collar crime an opportunity perspective criminology and justice studies

why god used dl moody

**why must we play these dating games**

wifredo catalogue lexposition direction catherine

whirlpool ultimate care ii dryer manual lgc8858hq1

white bear black bear japanese edition

white rodgers manual 1f80 51

wholesale jewelry from taxco mexico

**Yale Glc50 Manual :**

**pbs newshour news analysis top headlines live coverage** - Sep 24 2023

america the world imho pbs newshour is a public media news organization with a nightly hour long television broadcast and a robust digital footprint across the web and social media

*the latest pbs newshour* - Aug 23 2023

by associated press 8 hours ago science what causes earthquakes and why they re more common in some regions by jaime toro the conversation friday october 13th 2023 21 hours ago world

*october 21 2023 pbs news weekend full episode* - Oct 13 2022

oct 21 2023 segments from this episode humanitarian relief arrives in gaza as israel prepares to step up attacks 4 min news wrap u s budget deficit rises to 1 7 trillion in 2023 fiscal year 1 min un



**europaean gas prices slump on mild weather easing war jitters** - Jun 28 2021

october 23 2023 at 12 04 am pdt europaean natural gas prices slumped on mild weather forecasts for the rest of the month fears also eased that the conflict in the middle east would escalate as

*pbs newshour full episode dec 20 2022 youtube* - May 08 2022

dec 20 2022 tuesday on the newshour congress moves closer to passing a massive spending bill to keep the government running migrant lives hang in the balance after the

*argentinaes head to the polls amid country s economic crisis pbs* - Dec 03 2021

2 days ago buenos aires argentina ap frustrated voters in argentina weighed whether to hand the presidency to a right wing populist who has shaken up the political system and pledges to drastically

*vulnerable republicans face a reckoning with jim jordan nbc news* - May 28 2021

oct 16 2023 1 30 pm pdt by sahil kapur washington centrist and politically vulnerable republicans face a moment of reckoning as the house is expected to vote on whether to elect rep jim

**watch president biden s address to the nation pbs** - Mar 18 2023

oct 19 2023 president joe biden delivered only the second oval office address of his term on thursday night to make the case for u s backing of ukraine and israel in a time of war

**pbs learningmedia teaching resources for students and** - Jul 30 2021

pbs and your local station have curated free curriculum aligned videos interactives lesson plans and more just for teachers like you news and events unlock the power of pbs learningmedia create a free account to gain full access to the website save organize resources see state standards manage classes assignments sync with

**world pbs newshour** - Jul 22 2023

by sam whitehead kaiser health news world oct 15 6 people killed across ukraine as russia intensifies attacks in the east by associated press world oct 15 thousands at risk of dying in gaza

*watch boats collide in south china sea s disputed waters bbc news* - Feb 22 2021

oct 22 2023 the philippines has accused china s coast guard of colliding with a filipino supply boat in disputed waters of the south china sea endangering its crew china said the philippines deliberately

**news wrap deadly shooting in brussels prompts terror alert pbs** - Feb 05 2022

oct 16 2023 amna nawaz in the day s other headlines a 6 year old palestinian american boy was laid to rest in illinois after being fatally stabbed by his landlord

**frontline pbs official site documentary series** - Apr 07 2022

watch full episodes of frontline the pbs documentary series and explore news investigations from frontline s award winning

journalism team

**pharmaceutical benefits scheme pbs 1 november 2023** - Jan 24 2021

oct 1 2023 pbs news 1 november 2023 changes to the pbs listings of medicines for children and adolescents with chronic plaque psoriasis page last updated 23 october 2023 on 1 november 2023 changes will be made to the authority requirements of the pharmaceutical benefits scheme pbs listing for etanercept for the treatment of children and adolescents

*yorkshire flooding warnings remain in place after storm babet bbc news* - Apr 26 2021

oct 23 2023 bbc news flood warnings remain in place in south yorkshire following storm babet with the environment agency ea forecasting the risk could continue into wednesday two warnings remain in force

**early intelligence suggests hospital blast caused by palestinian** - Oct 01 2021

oct 18 2023 early u s and israeli intelligence says palestinian group caused hospital blast u s officials cautioned that the analysis is preliminary and that the united states was continuing to collect and

**pbs news weekend full episode oct 21 2023 youtube** - Jan 04 2022

oct 21 2023 saturday on pbs news weekend israel prepares to step up attacks on gaza as the first humanitarian aid trucks to reach the population there roll in a child

*pbs newshour full show on apple podcasts* - Dec 15 2022

oct 19 2023 october 9 2023 pbs newshour full episode monday on the newshour israel pounds gaza with air strikes and orders a complete siege of the palestinian enclave in retaliation for the unprecedented hamas attacks u s support for israel is complicated by turmoil in the house of representatives plus maui takes stock of the heritage lost in

*why do republicans oppose jim jordan as speaker and what s* - Aug 31 2021

oct 20 2023 ever since republicans ousted kevin mccarthy as house speaker on 3 october the republican conference has been mired in chaos friday marked an escalation as should be of that dysfunction as jim

*pbs public broadcasting service* - Jan 16 2023

oct 16 2023 watch full episodes of your favorite pbs shows explore music and the arts find in depth news analysis and more home to antiques roadshow frontline nova pbs newshour masterpiece and many

*video pbs newshour* - May 20 2023

oct 12 2017 watch 26 45 full episode october 15 2023 pbs news weekend full episode by pbs newshour weekend oct 15 watch 5 02 deadly airstrikes continue to pummel gaza as israel musters huge force

*live pbs newshour* - Apr 19 2023

oct 13 2017 by news desk and associated press oct 05 watch white house holds briefing as Biden waives laws to allow border wall in texas by colleen long associated press oct 04 watch norwegian writer

**watch war in the holy land a pbs news special report** - Aug 11 2022

world oct 13 2023 1 25 pm edt co anchored by pbs newshour s amna nawaz from israel and geoff bennett from the nation s capital the one hour primetime special covers the historic and

**pbs newshour wikipedia** - Jun 09 2022

pbs newshour is an american evening television news program broadcast on over 350 pbs member stations it airs seven nights a week and is known for its in depth coverage of issues and current events since january 2 2023 the one hour weekday editions have been anchored by amna nawaz and geoff bennett the 30 minute weekend editions branded as pbs news

**october 22 2023 pbs news weekend full episode** - Sep 12 2022

2 days ago sunday on pbs news weekend israeli airstrikes hit sites in gaza the west bank and syria overnight as new humanitarian aid trickles into the gaza strip then we look at what steps can be taken

*pbs newshour youtube* - Jun 21 2023

latest popular oldest scalise withdraws from speaker race sending gop search for leader into further chaos 226k views 5 hours ago pbs newshour full episode oct 12 2023 77k views

*pbs newshour pbs* - Feb 17 2023

oct 17 2023 clip 10 15 2023 5m 2s major corporate funding for the pbs newshour is provided by care com consumer cellular and fidelity funding for the pbs newshour weekend is provided by mutual of

**a brief but spectacular take on black women sex and the church pbs** - Nov 02 2021

2 days ago deesha philyaw is a writer whose debut short story collection the secret lives of church ladies was a finalist for the 2020 national book award her works touch on themes of race sex

pharmaceutical benefits scheme pbs updates to the hta - Mar 26 2021

page last updated 23 october 2023 the following documents are now available on the hta review webpage the communique for the hta review reference committee meeting on 14 august 2023 the agenda for the hta review reference committee meeting on 17 october 2023 if you have any questions relating to the hta review please email

live updates what s happening on day 15 of the israel hamas war pbs - Jul 10 2022

world oct 22 2023 11 16 am edt israeli warplanes have struck targets across the gaza strip as well as two airports in syria and a mosque in the occupied west bank allegedly used by militants

breaking news pbs newshour - Nov 14 2022

oct 10 2023 by pbs newshour nation dec 03 everything we know about the san bernardino shooting two assailants shot and killed 14 people and wounded 21 others at a holiday party for county employees in san

**download the pbs app for free** - Mar 06 2022

download the pbs app watch the best of pbs anytime anywhere on the free pbs app stream your favorite pbs shows on demand and livestream shows from your local station all from your favorite

**introduction to econometrics dougherty christopher free** - Apr 11 2023

web introduction to econometrics by dougherty christopher publication date 1992 topics econometrics publisher new york oxford university press collection inlibrary printdisabled internetarchivebooks contributor internet archive 14 day loan required to access epub and pdf files

**introduction to econometrics i nou edu ng** - Dec 27 2021

web identify explain the types of econometrics analysis understand the basic econometrics models differentiate between econometrics theory and methods know the meaning of econometrics and why econometrics is important within economics know how to use econometrics for assessing economic model

**econ 480 3 introduction to econometrics wpmu dev** - Feb 09 2023

web econ 480 3 introduction to econometrics spring 2021 ver may 19 2021 northwestern university lecture notes by ivan a canay department of economics

**introduction to econometrics pearson** - Aug 15 2023

web title introduction to econometrics james h stock harvard university mark w watson princeton university description fourth edition new york ny pearson 2019 series the pearson series in economics includes bibliographical references and index identifiers lccn 2018035117 isbn 9780134461991 subjects lcsh econometrics

**wiley introduction to econometrics 4th edition 978 0 470 01512 4** - Sep 04 2022

web thorough revision of one of the leading international textbooks on econometrics a fresh accessible and well written introduction to econometrics a pedagogical framework which sets it apart from its competitors

introduction to econometrics 4th edition wiley - Jul 02 2022

web a fresh accessible and well written introduction to econometrics a pedagogical framework which sets it apart from its competitors contains a large number of worked examples

**introductory econometrics cambridge university press** - Mar 10 2023

web barreto and howland have done an excellent job of producing an introductory econometric textbook based on excel software combined with a well written and applied intuitive approach to econometrics in my opinion their teaching philosophy is absolutely the correct method put the student in front of a computer and teach econometrics by

introductory econometrics for finance cambridge university - Aug 03 2022

web introductory econometrics for finance this bestselling and thoroughly classroom tested textbook is a complete resource for inance students

*notes on econometrics i scholars at harvard* - May 12 2023

web 1 1 introduction to a general econometrician framework 1 we start with a population relationship or population data generating process dgp which we can think about as some law of nature that is true about the world the dgp is

**econometrics a simple introduction by k h erickson scribd** - Jan 28 2022

web mar 2 2014 econometrics a simple introduction offers an accessible guide to the principles and methods of econometrics with data samples regressions equations and diagrams to illustrate the analysis examine a linear and multiple regression model ordinary least squares method and the gauss markov conditions for a best linear unbiased

**introductory econometrics for finance cambridge university** - Oct 05 2022

web introductory econometrics for finance chris brooks the icma centre henley business school university of reading third edition pages cm includes bibliographical references and index isbn 978 1 107 03466 2 hardback isbn 978 1 107 66145 5 pbk

1 finance econometric models 2 econometrics i title hg173 b76 2014

*introduction to econometrics 4th edition james stock* - Jul 14 2023

web introduction to econometrics 4th edition by james h stock harvard university mark w watson princeton university link to pearson web page

**econometric introduction to econometrics 2nd ed 1988 scribd** - Jun 01 2022

web econometric introduction to econometrics 2nd ed 1988 g s maddala macmillan publishing pdf free ebook download as pdf file pdf or read book online for free scribd is the world s largest social reading and publishing site

**introduction to econometrics james h stock mark w watson** - Jan 08 2023

web introduction to econometrics 4th edition global edition by stock and watson is the ultimate introductory guide that connects modern theory with motivating engaging applications the text ensures you get a solid grasp of this challenging subject s theoretical background building on the philosophy that applications should drive the theory

*introduction to econometrics paperback christopher* - Feb 26 2022

web isbn 9780199676828 608 pages paperback 246x189mm in stock price 67 99 taking a modern approach to the subject this text provides students with a solid grounding in econometrics using non technical language wherever possible visit our online resources purchase options buy ebook from vitalsource

*introductory econometrics for finance cambridge university* - Apr 30 2022

web introductory econometrics for finance chris brooks p cm includes bibliographical references and index isbn 0 521 79018 2 hardback isbn 0 521 79367 x paperback 1 finance econometric models 2 econometrics i title hg173 b76 2002 332 01 5195

dc21 2001037930 isbn 0 521 79018 2 hardback isbn 0 521 79367 x paperback

introduction to econometrics principles and applications - Dec 07 2022

web aug 30 2015 estimation of nonlinear relations growth models estimation of qualitative models extension of logit probit models since problem of model validation is more complicated than its estimation a

[analysis of economics data by a colin cameron uc davis](#) - Mar 30 2022

web analysis of economics data an introduction to econometrics 2022 530 pages self published available at link to amazon paperback print version usd 25 00 pdf version print replica kindle edition usd 6 99 the

[introductory econometrics a modern approach ut](#) - Jun 13 2023

web econometrics and economic data 1 1 1 what is econometrics 1 1 2 steps in empirical economic analysis 2 1 3 the structure of economic data 5 cross sectional data 5 time series data 8 pooled cross sections 9 panel or longitudinal data 10 a comment on data structures 11 1 4 causality and the notion of ceteris paribus in econometric analysis 12

**introduction to econometrics christopher dougherty google** - Nov 06 2022

web christopher dougherty oxford university press 2007 econometrics 464 pages introduction to econometrics provides an introduction to econometrics using analytical and intuitive methods of the classical linear regression model

[kassenbuch für kleinunternehmer simples kassenbuch für](#) - Dec 07 2022

web amazon in buy kassenbuch für kleinunternehmer simples kassenbuch für kleinunternehmer din a5 book online at best prices in india on amazon in read kassenbuch für kleinunternehmer simples kassenbuch für kleinunternehmer din a5 book reviews author details and more at amazon in free delivery on qualified orders

[kassenbuch notwendig für kleinunternehmer](#) - Aug 15 2023

web aus diesem grund sollten kleinunternehmer auf das klassische kassenbuch verzichten und lieber ein einfaches heft oder buch nutzen um einnahmen und ausgaben gegenüber zu stellen damit lauern weniger gefahren in der betriebsprüfung und somit natürlich auch geringere steuernachzahlungen

**kassenbuch für kleinunternehmer simples kassenbuch für** - Mar 10 2023

web amazon ae kassenbuch für kleinunternehmer simples kassenbuch für kleinunternehmer din a5 books

**kassenbuch einfache buchhaltung für selbständige** - Nov 06 2022

web kassenbuch einfache buchhaltung für selbständige kleingewerbe und vereine Übersichtlich alle einnahmen und ausgaben eintragen din a4 110 seiten kassenbuch glassiko isbn 9781700029638 kostenloser versand für alle bücher mit versand und verkauf duch amazon

[kassenbuch für kleinunternehmer simples kassenbuch für](#) - Jun 13 2023

web buy kassenbuch für kleinunternehmer simples kassenbuch für kleinunternehmer din a5 by kleinunternehmer kassenbuch isbn 9781674552248 from amazon s book store everyday low prices and free delivery on eligible orders

[kassenbuch für kleinunternehmer simples kassenbuch für](#) - May 12 2023

web dec 12 2019 kassenbuch für kleinunternehmer simples kassenbuch für kleinunternehmer din a5 kleinunternehmer kassenbuch 9781674548784 books amazon ca

*kassenbuch kleinunternehmer ohne mwst kassenbuch* - Jan 08 2023

web dieses einfache kassenbuch ermöglicht es ihnen alle ihre einnahmen und ausgaben einzutragen um so die volle kontrolle zu haben egal ob für berufliche oder private zwecke dieses kassenbuch wird ihr kompakter alltagshelfer sein

kassenbuch für kleinunternehmer simples kassenbuch für - Jul 14 2023

web dec 12 2019 amazon com kassenbuch für kleinunternehmer simples kassenbuch für kleinunternehmer din a5 german edition 9781674548784 kleinunternehmer kassenbuch books

*kassenbuch vorlage zum kostenlosen download lexoffice* - Feb 09 2023

web kassenbuch vorlage bei uns können sie kostenlose vorlagen für ihre ordnungsgemäße und rechtssichere online kassenbuchführung entdecken wählen sie einfach das passende muster oder das gewünschte design für ihre individuelle kassenbuch vorlage

**kassenbuch für kleinunternehmer simples kassenbuch pdf** - Sep 04 2022

web kassenbuch für kleinunternehmer ohne mwst simples kassenbuch für kleinunternehmer schlichtes kassenbuch in schöner edler optik was man gerne vor sich hat beschreibung 100 seiten ca din a5

kassenbuch für kleinunternehmer ohne mwst simples kassenbuch - Jul 02 2022

web kassenbuch für kleinunternehmer ohne mwst simples kassenbuch für kleinunternehmer din a5 amazon sg books

**kassenbuch kleinunternehmer simples kassenbuch für effektive** - Jun 01 2022

web kassenbuch kleinunternehmer simples kassenbuch für effektive buchhaltung german edition lorberts lulu amazon sg books

kassenbuch kleinunternehmer pflichten tipps sevdesk - Apr 11 2023

web kassenbuch führen als kleinunternehmer gibt es eine pflicht voraussetzungen angaben tooltips jetzt lesen als kleinunternehmer kassenbuch führen

kassenbuch a 5 zur einfachen kassenbuchführung für kleinunternehmer - Oct 05 2022

web kassenbuch a 5 zur einfachen kassenbuchführung für kleinunternehmer vereine selbständige und gastronomen auch als haushaltsbuch geeignet blau plo an isbn 9798724761635 kostenloser versand für alle bücher

*kassenbuch für kleinunternehmer simples kassenbuch für* - Oct 17 2023

web kassenbuch für kleinunternehmer simples kassenbuch für kleinunternehmer din a5 kleinunternehmer kassenbuch amazon sg books

**kassenbuch für kleinunternehmer ohne mwst simples kassenbuch** - Aug 03 2022

web kassenbuch für kleinunternehmer ohne mwst simples kassenbuch für kleinunternehmer din a5 kleinunternehmer  
kassenbuch amazon sg books

**kassenbuch für kleinunternehmer simples kassenbuch für** - Sep 16 2023

web kassenbuch für kleinunternehmer simples kassenbuch für kleinunternehmer din a5 amazon sg books