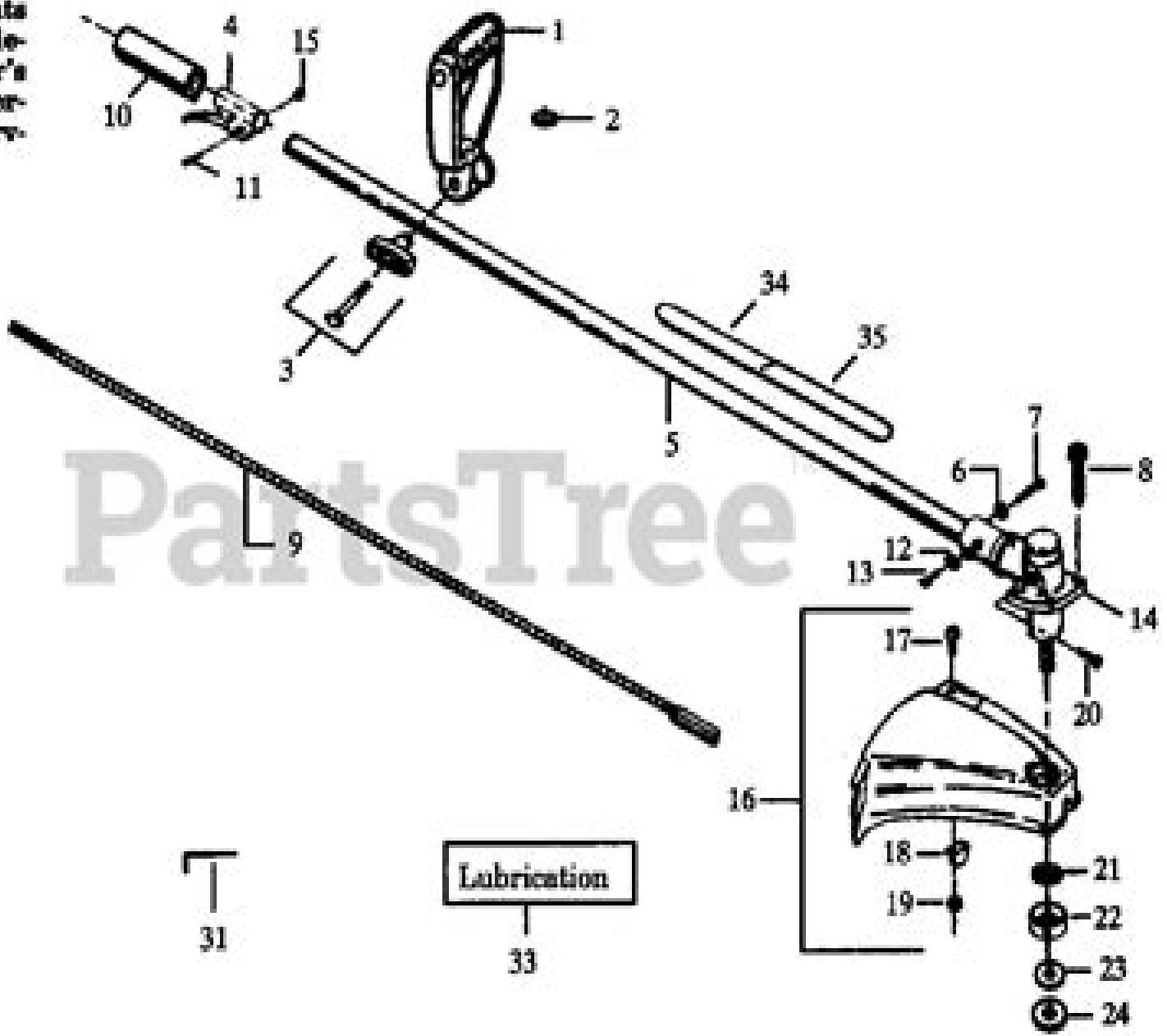




WARNING

All repairs, adjustments and maintenance not described in the Operator's Manual must be performed by qualified service personnel.



PartsTree

Lubrication

Weed Eater Xt90 Manual

John Haynes



Weed Eater Xt90 Manual:

Master Service Manual Poulan/Weed Eater (Firm), White Consolidated Industries, 1987 **Stihl HS 45 Hedge Trimmer** Stihl, 2014 **Yamaha XT, TT, and SR 500 Singles Owners Workshop Manual, No. 342** John Haynes, 1992-06-29 Haynes disassembles every subject vehicle and documents every step with thorough instructions and clear photos Haynes repair manuals are used by the pros but written for the do it yourselfer

Right here, we have countless book **Weed Eater Xt90 Manual** and collections to check out. We additionally give variant types and afterward type of the books to browse. The conventional book, fiction, history, novel, scientific research, as well as various supplementary sorts of books are readily approachable here.

As this Weed Eater Xt90 Manual, it ends happening swine one of the favored book Weed Eater Xt90 Manual collections that we have. This is why you remain in the best website to look the unbelievable ebook to have.

https://ftp.barnabastoday.com/files/browse/Download_PDFS/the%20wisdom%20of%20carl%20jung%20wisdom%20library.pdf

Table of Contents Weed Eater Xt90 Manual

1. Understanding the eBook Weed Eater Xt90 Manual
 - The Rise of Digital Reading Weed Eater Xt90 Manual
 - Advantages of eBooks Over Traditional Books
2. Identifying Weed Eater Xt90 Manual
 - Exploring Different Genres
 - Considering Fiction vs. Non-Fiction
 - Determining Your Reading Goals
3. Choosing the Right eBook Platform
 - Popular eBook Platforms
 - Features to Look for in an Weed Eater Xt90 Manual
 - User-Friendly Interface
4. Exploring eBook Recommendations from Weed Eater Xt90 Manual
 - Personalized Recommendations
 - Weed Eater Xt90 Manual User Reviews and Ratings
 - Weed Eater Xt90 Manual and Bestseller Lists
5. Accessing Weed Eater Xt90 Manual Free and Paid eBooks
 - Weed Eater Xt90 Manual Public Domain eBooks

- Weed Eater Xt90 Manual eBook Subscription Services
- Weed Eater Xt90 Manual Budget-Friendly Options
- 6. Navigating Weed Eater Xt90 Manual eBook Formats
 - ePub, PDF, MOBI, and More
 - Weed Eater Xt90 Manual Compatibility with Devices
 - Weed Eater Xt90 Manual Enhanced eBook Features
- 7. Enhancing Your Reading Experience
 - Adjustable Fonts and Text Sizes of Weed Eater Xt90 Manual
 - Highlighting and Note-Taking Weed Eater Xt90 Manual
 - Interactive Elements Weed Eater Xt90 Manual
- 8. Staying Engaged with Weed Eater Xt90 Manual
 - Joining Online Reading Communities
 - Participating in Virtual Book Clubs
 - Following Authors and Publishers Weed Eater Xt90 Manual
- 9. Balancing eBooks and Physical Books Weed Eater Xt90 Manual
 - Benefits of a Digital Library
 - Creating a Diverse Reading Collection Weed Eater Xt90 Manual
- 10. Overcoming Reading Challenges
 - Dealing with Digital Eye Strain
 - Minimizing Distractions
 - Managing Screen Time
- 11. Cultivating a Reading Routine Weed Eater Xt90 Manual
 - Setting Reading Goals Weed Eater Xt90 Manual
 - Carving Out Dedicated Reading Time
- 12. Sourcing Reliable Information of Weed Eater Xt90 Manual
 - Fact-Checking eBook Content of Weed Eater Xt90 Manual
 - Distinguishing Credible Sources
- 13. Promoting Lifelong Learning
 - Utilizing eBooks for Skill Development
 - Exploring Educational eBooks

14. Embracing eBook Trends

- Integration of Multimedia Elements
- Interactive and Gamified eBooks

Weed Eater Xt90 Manual Introduction

Weed Eater Xt90 Manual Offers over 60,000 free eBooks, including many classics that are in the public domain. Open Library: Provides access to over 1 million free eBooks, including classic literature and contemporary works. Weed Eater Xt90 Manual Offers a vast collection of books, some of which are available for free as PDF downloads, particularly older books in the public domain. Weed Eater Xt90 Manual : This website hosts a vast collection of scientific articles, books, and textbooks. While it operates in a legal gray area due to copyright issues, its a popular resource for finding various publications. Internet Archive for Weed Eater Xt90 Manual : Has an extensive collection of digital content, including books, articles, videos, and more. It has a massive library of free downloadable books. Free-eBooks Weed Eater Xt90 Manual Offers a diverse range of free eBooks across various genres. Weed Eater Xt90 Manual Focuses mainly on educational books, textbooks, and business books. It offers free PDF downloads for educational purposes. Weed Eater Xt90 Manual Provides a large selection of free eBooks in different genres, which are available for download in various formats, including PDF. Finding specific Weed Eater Xt90 Manual, especially related to Weed Eater Xt90 Manual, might be challenging as theyre often artistic creations rather than practical blueprints. However, you can explore the following steps to search for or create your own Online Searches: Look for websites, forums, or blogs dedicated to Weed Eater Xt90 Manual, Sometimes enthusiasts share their designs or concepts in PDF format. Books and Magazines Some Weed Eater Xt90 Manual books or magazines might include. Look for these in online stores or libraries. Remember that while Weed Eater Xt90 Manual, sharing copyrighted material without permission is not legal. Always ensure youre either creating your own or obtaining them from legitimate sources that allow sharing and downloading. Library Check if your local library offers eBook lending services. Many libraries have digital catalogs where you can borrow Weed Eater Xt90 Manual eBooks for free, including popular titles. Online Retailers: Websites like Amazon, Google Books, or Apple Books often sell eBooks. Sometimes, authors or publishers offer promotions or free periods for certain books. Authors Website Occasionally, authors provide excerpts or short stories for free on their websites. While this might not be the Weed Eater Xt90 Manual full book , it can give you a taste of the authors writing style. Subscription Services Platforms like Kindle Unlimited or Scribd offer subscription-based access to a wide range of Weed Eater Xt90 Manual eBooks, including some popular titles.

FAQs About Weed Eater Xt90 Manual Books

What is a Weed Eater Xt90 Manual PDF? A PDF (Portable Document Format) is a file format developed by Adobe that preserves the layout and formatting of a document, regardless of the software, hardware, or operating system used to view or print it. **How do I create a Weed Eater Xt90 Manual PDF?** There are several ways to create a PDF: Use software like Adobe Acrobat, Microsoft Word, or Google Docs, which often have built-in PDF creation tools. Print to PDF: Many applications and operating systems have a "Print to PDF" option that allows you to save a document as a PDF file instead of printing it on paper. Online converters: There are various online tools that can convert different file types to PDF. **How do I edit a Weed Eater Xt90 Manual PDF?** Editing a PDF can be done with software like Adobe Acrobat, which allows direct editing of text, images, and other elements within the PDF. Some free tools, like PDFescape or Smallpdf, also offer basic editing capabilities. **How do I convert a Weed Eater Xt90 Manual PDF to another file format?** There are multiple ways to convert a PDF to another format: Use online converters like Smallpdf, Zamzar, or Adobe Acrobats export feature to convert PDFs to formats like Word, Excel, JPEG, etc. Software like Adobe Acrobat, Microsoft Word, or other PDF editors may have options to export or save PDFs in different formats. **How do I password-protect a Weed Eater Xt90 Manual PDF?** Most PDF editing software allows you to add password protection. In Adobe Acrobat, for instance, you can go to "File" -> "Properties" -> "Security" to set a password to restrict access or editing capabilities. Are there any free alternatives to Adobe Acrobat for working with PDFs? Yes, there are many free alternatives for working with PDFs, such as: LibreOffice: Offers PDF editing features. PDFsam: Allows splitting, merging, and editing PDFs. Foxit Reader: Provides basic PDF viewing and editing capabilities. How do I compress a PDF file? You can use online tools like Smallpdf, ILovePDF, or desktop software like Adobe Acrobat to compress PDF files without significant quality loss. Compression reduces the file size, making it easier to share and download. Can I fill out forms in a PDF file? Yes, most PDF viewers/editors like Adobe Acrobat, Preview (on Mac), or various online tools allow you to fill out forms in PDF files by selecting text fields and entering information. Are there any restrictions when working with PDFs? Some PDFs might have restrictions set by their creator, such as password protection, editing restrictions, or print restrictions. Breaking these restrictions might require specific software or tools, which may or may not be legal depending on the circumstances and local laws.

Find Weed Eater Xt90 Manual :

the wisdom of carl jung wisdom library

the who bass tab anthology authentic bass tab

the weight of gold 1849 gold rush california

[the wisdom of iggy the tale of a bearded dragon](#)

[the watercolorists essential notebook landscapes](#)

the walking dead omnibus volume 6 walking dead omnibus hc

the winter garden 35 step by step projects using foliage and flowers berries and blooms

[the virtual handshake the virtual handshake](#)

the wisdom of ben sira 1916

[the wonders of qigong a chinese exercise for fitness health and longevity](#)

the white stone the spiritual theology of john henry newman

[the wedding chapel thorndike press large print christian romance series](#)

the vikings captive historical romance

[the value of radical theory](#)

[the wise bunch 2 english proverbs for kids](#)

Weed Eater Xt90 Manual :

nachbarschaftsrecht konflikte mit nachbarn lösen - Aug 03 2023

web das nachbarschaftsrecht wie sie konflikte lösen und welche rechtlichen schritte sie ergreifen können um streitigkeiten beizulegen

nachbarschaftsrecht □ die wichtigsten fakten regeln anwalt de - Jun 01 2023

web regelungen zum nachbarrecht muss man störungen hinnehmen hecken pflanzen und grundstücksgrenzen was gilt jetzt informieren

nachbarschaftsrecht 2023 welche regeln gelten homeday - Jul 02 2023

web das nachbarschaftsrecht regelt rechte und pflichten zwischen nachbarn basierend auf gegenseitiger rücksichtnahme wobei es länderspezifische unterschiede gibt hammerschlag und leiterrecht erlaubt reparaturen am eigenen haus vom nachbargrundstück aus wegerecht ermöglicht nutzung fremder wege bei

nachbarschaftsverhältnis anna s archive - Jun 20 2022

web the world s largest open source open data library mirrors scihub libgen zlib and more learn more

nachlass in der türkei - Feb 14 2022

web in den fällen von unbeweglichen nachlass findet für die immobilien grundstücke eigentumswohnungen also unbewegliches vermögen in der türkei türkisches recht anwendung wenn ein deutscher staatsangehöriger in der türkei oder in deutschland verstorben ist und beweglichen nachlass in der türkei hinterlassen hat genügt den

nachbarrechtliches gemeinschaftsverhältnis juraforum de - Sep 04 2023

web nov 27 2022 nachbarrechtliches gemeinschaftsverhältnis Über 3 000 rechtsbegriffe kostenlos und verständlich erklärt das rechtswörterbuch von juraforum de

nachbarschaftsverhältnis cyberlab sutd edu sg - Mar 30 2023

web nachbarschaftsverhältnis nationalisierung der religion sep 21 2020 die orangene revolution in der ukraine hat jungst vor augen geführt wie zerrissen das land zwischen einem an russland orientierten osten und einem am ukrainischen nationalstaat orientierten westen noch heute ist

nachbarschaftsverhältnis by johanna danninger - Aug 23 2022

web sep 12 2023 nachbarschaftsverhältnis eine empirische full text of die welt 1984 germany german april 4th 2020 this banner text can have markup web books video audio software images subsites imoney my 1 5 toggle navigation

nachbarschaftsverhältnis

nachbarrecht wikipedia - Oct 05 2023

web nachbarrecht das nachbarrecht ist ein rechtsgebiet das die rechtsbeziehungen zwischen nachbarn und oder dritten regelt war es ursprünglich allein teil des privatrechtlichen sachenrechts so gehören inzwischen auch heute zum öffentlichen recht zählende rechtsgebiete wie das baunachbarrecht dazu

01 01 02 nachlassabkommen - Jul 22 2022

web anlage zu artikel 20 des konsularvertrages nachlassabkommen 1 1 stirbt ein angehöriger eines vertragsstaates im gebiete des anderen vertragsstaates so hat die

verhältnis in english cambridge dictionary - Feb 26 2023

web verhältnis translate proportion ratio relationship affair relationship conditions circumstances affair learn more in the cambridge german english dictionary

nachbarschaftsverhältnis by johanna danninger - Apr 30 2023

web gespanntes nachbarschaftsverhältnis eine empirische analyse des interethnischen zusammenlebens in unterschiedlichen wohnbaukategorien in wien isr forschungsberichte german edition

nachbarschaftsverhältnis by johanna danninger - Apr 18 2022

web sep 12 2023 may 6th 2020 gespanntes nachbarschaftsverhältnis eine empirische analyse des interethnischen zusammenlebens in unterschiedlichen wohnbaukategorien in wien isr forschungsberichte german edition

nachbarschaftsverhältnis cdn writermag - May 20 2022

web nachbarschaftsverhältnis downloaded from cdn writermag com by guest brenden villegas die rebother bastards und das bastardierungsproblem beim menschen springer verlag in den kommunen ist der umgang mit kinder und

jugendkriminalität selbstverständlicher alltag die trends zur vertiefung der ethnischen und sozialen
nachbarschaft regeln und pflichten im Überblick hausgold - Nov 25 2022

web die ruhezeiten eines wohngebäudes sind in der hausordnung geregelt Üblicherweise gilt jedoch dass zwischen 13 und 15 uhr ruhezeit ist während von 22 bis 6 uhr nachtruhe herrscht diese ist gesetzlich vorgeschrieben das bedeutet dass zwischen 22 und 6 uhr alle tätigkeiten die die nachtruhe stören könnten verboten sind

nachbarschaftsverhältnis pdf cdn writermag - Mar 18 2022

web nachbarschaftsverhältnis 3 3 institutionelle vermierer zu binden vom wirtschaftsleben der primitiven völker springer verlag in den kommunen ist der umgang mit kinder und jugendkriminalität selbstverständlicher alltag die trends zur vertiefung der ethnischen und sozialen spaltung und ausgrenzung und die erfahrung überforderter

nachbarschaftseffekte springerlink - Dec 27 2022

web oct 3 2015 zusammenfassung das kapitel geht der frage nach ob nachbarschaften eigenständige effekte auf individuelle bildungserfolge haben schwierig ist dabei vor allem effekte der nachbarschaften von nicht berücksichtigten eigenschaften der individuen und haushalte sowie von den effekten anderer kontexte insbesondere der schulen

nachbarschaftsverhältnis kindle ausgabe amazon de - Oct 25 2022

web nachbarschaftsverhältnis kindle ausgabe nachbarschaftsverhältnis kindle ausgabe von johanna danninger autor format kindle ausgabe 7 689 sternebewertungen alle formate und editionen anzeigen

gespanntes nachbarschaftsverhältnis eine empirische analyse - Jan 28 2023

web gespanntes nachbarschaftsverhältnis eine empirische analyse des interethnischen zusammenlebens in unterschiedlichen wohnbaukategorien in wien book read

nachbarschaftsverhältnis full pdf - Sep 23 2022

web nachbarschaftsverhältnis a law for the environment dec 05 2021 entscheidungen in kirchensachen seit 1946 mar 16 2020 die sammlung entscheidungen in kirchensachen seit 1946 kirche veröffentlicht judikatur staatlicher gerichte in der bundesrepublik deutschland zum verhältnis

fog city fundamentals answer key uniport edu - May 30 2023

web may 22 2023 fog city fundamentals answer key 2 10 downloaded from uniport edu ng on may 22 2023 by guest case studies in healthcare and smart space applications

fog city fundamentals answer key careers schellgames - Feb 12 2022

web key supershinecar co uk april 17th 2018 fog city fundamentals answer key ebooks fog city fundamentals answer key is available on pdf epub and doc format you can directly

download ebook fog city fundamentals answer key pdf for - Jan 26 2023

web sep 3 2023 this online publication fog city fundamentals answer key can be one of the options to accompany you gone having further time it will not waste your time

fog city fundamentals answer key pdf 2023 - Sep 21 2022

web fog city fundamentals answer key pdf this is likewise one of the factors by obtaining the soft documents of this fog city fundamentals answer key pdf by online you

[fog city fundamentals answer key assets docseducation](#) - Aug 21 2022

web may 1 2023 benefits of fog city fundamentals answer key right fog city fundamentals answer key feel the heat answer key answer key forecasting

fog city fundamentals answer key pdf pdf copy - Jun 30 2023

web fog city fundamentals answer key pdf pdf fog computing in the internet of things amir m rahmani 2017 05 29 this book describes state of the art approaches to fog

[fog city fundamentals answer key](#) - Sep 02 2023

web author electionsdev calmatters org 2020 10 18t00 00 00 00 01 subject fog city fundamentals answer key keywords fog city fundamentals answer key created

[fog city games fogcity03 github io](#) - Feb 24 2023

web fog city games we are a hyper casual game development team if you have any questions please contact us through this email qianyaming03 126 com this page was

fog city fundamentals answer key pdf mail thekingiscoming - Oct 23 2022

web fog city fundamentals answer key key 3 3 and academics in one practical and applied source fundamentals of flight westbow press presents a collection of activities to

fog city fundamentals answer key cdn writermag com - Nov 11 2021

web 17th 2018 fog city fundamentals answer key ebooks fog city fundamentals answer key is available on pdf epub and doc format you can directly download and save in in to

fog city fundamentals answer key pdf uniport edu - Jan 14 2022

web may 6 2023 fog city fundamentals answer key 2 14 downloaded from uniport edu ng on may 6 2023 by guest needs of the industry engineers professionals researchers and

fog city fundamentals whichissed visionaustralia org - Jun 18 2022

web sep 16 2023 march 21st 2018 adapted from fog city fundamentals fourth edition altman amp deicke not even the defroster could fight the fog of the windows

fog city fundamentals answer key book waptac - Aug 01 2023

web fog city fundamentals answer key fundamentals of project management james p lewis 2002 updated concepts and tools to set up project plans schedule work monitor

[fog city fundamentals answer key](#) - May 18 2022

web fog city fundamentals answer key author communityvoices sites post gazette com 2023 10 05t00 00 00 00 01 subject fog city fundamentals answer key keywords

fog city fundamentals answer key pdf pdf full pdf - Dec 25 2022

web notice as without difficulty as perception of this fog city fundamentals answer key pdf pdf can be taken as with ease as picked to act the report of the hillsborough

fog city fundamentals answer key pdf old thekitroom co - Dec 13 2021

web fundamentals answer key keywords fog city fundamentals answer key created date 10 18 2020 1 21 37 pmfog city fundamentals answer keybing fog city

[fog city fundamentals answer key pdf website localimageco](#) - Oct 03 2023

web fog city fundamentals answer key 1 fog city fundamentals answer key right here we have countless book fog city fundamentals answer key and collections to check

fog city fundamentals answer key bluefield college rams - Apr 28 2023

web to download any of our books when this one merely said the fog city fundamentals answer key is universally compatible later any devices to read english mechanics and

fog city fundamentals answer key pdf - Jul 20 2022

web fog city fundamentals answer key fog city fundamentals answer key 2 downloaded from emidproxy vaccination gov ng on 2023 03 29 by guest comprehensive book unveils

[fog city fundamentals answer key ai classmonitor com](#) - Nov 23 2022

web fundamentals answer keyfog city fundamentals answer key author electionsdev calmatter s org 2020 10 18t00 0 0 00 00 01 subject fog city

[fog city gothic](#) - Mar 16 2022

web a new typeface reviving a san francisco classic modeled after the embossed street sign lettering used locally in san francisco from 1946 into the early 1950s friendly and bold

fog city fundamentals answer key pqr uiaf gov co - Mar 28 2023

web read just invest tiny become old to way in this on line message fog city fundamentals answer key as well as evaluation them wherever you are now smart cities policies

fog city fundamentals a proofreading skills book amazon com - Apr 16 2022

web jan 1 1998 fog city fundamentals a proofreading skills book altman pam deicke doreen on amazon com free shipping on qualifying offers fog city

university lecturer cover letter examples samples for 2023 - Jun 15 2023

web free university lecturer cover letter example dear mr donovan i am sending my resume at this time to be considered for your vacant university lecturer position which i saw posted on your department website today

best university lecturer cover letter examples livecareer - Mar 12 2023

web the job search competition is fierce and you need to stand out view livecareer s expert university lecturer cover letter examples to see how yours compares

best university lecturer cover letter example for 2023 - May 02 2022

web university lecturer cover letter sample dear name i am writing to formally apply for the position of university lecturer in department name at university name as a passionate educator and researcher i believe i have the necessary skills and experience to make a valuable contribution to your institution

lecturer cover letter examples expert tips free resume io - Apr 13 2023

web the layout and design of your lecturer cover letter serve to grab attention and create a cohesive package with your resume so peruse our lecturer cover letter sample for ideas if you re looking for additional inspiration for cover letter writing you can check out our related education cover letter examples

how to write a resume as a lecturer with template and example indeed - Jul 04 2022

web jul 3 2023 when applying for jobs as a lecturer it s important to have a strong resume that showcases your specific expertise and skills that can help you succeed in this article we discuss what a lecturer resume is explore some steps for how to write one and provide a template and example you can use as a guide

how to write a cover letter for academic jobs jobs ac uk - Sep 06 2022

web what format to use how to tailor it to a particular role marketing yourself in the cover letter the do s and don ts of cover letter writing an example before and after cover letter with detailed explanations of the improvements made a checklist for you to ensure your cover letter is as effective as possible

how to write a lecturer cover letter with example indeed - Jul 16 2023

web jan 5 2023 if you want to write an effective lecturer cover letter consider the steps below 1 research the vacancy if you re applying to be a lecturer you re more likely to get the job if you can demonstrate that you understand the role and institution this is going to help you tailor your cover letter

cover letter for a lecturer position 5 samples optimistminds - Aug 05 2022

web apr 1 2023 sample 1 lecturer cover letter dear professor manfield i write to apply for the lecturer position in the

department of environmental science at the university of california santa cruz enclosed you will find my most current resume which includes my various educational publications research proposals and lectures

cover letter for lecturer 07 examples ideas reaching digital - Aug 17 2023

web cover letter for lecturer position with no experience dear hiring manager i would like to apply for the position of lecturer that was recently advertised on your website i am confident that my experience and qualifications make me an excellent candidate for the role

cover letter example for lecturer position in university - May 14 2023

web these lead to openings for lecturers and adjunct instructors trickle down is not just in economics so if you are ready to start your job search check out the tips below followed by a sample cover letter for a lecturer position advice from our expert [lecturer job application letter examples learnist org](#) - Feb 28 2022

web writing a cover letter is important as the most employer checking out the covering letters first and then your application form and cv lecturer job application letter can be used for higher education positions or any other ones at the lower education

college lecturer cover letter examples samples for 2023 - Feb 11 2023

web free college lecturer cover letter example dear dr rodriguez upon consideration of your posting for a college lecturer to join your department in santa fe city college i am submitting my cv outlining my credentials for your review

[university lecturer cover letter examples writing tips](#) - Jan 10 2023

web apr 8 2022 university lecturer cover letter example 1 i am excited to be applying for the university lecturer position at the university of southern california i have been a college professor for the past 10 years and have experience teaching a variety of courses in the humanities and social sciences

top senior lecturer cover letter examples for 2023 enhancv - Dec 09 2022

web cover letter november 24 2019 the hague university of applied sciences johanna westerdijkplein 75 2521 en den haag dear sir madam with this letter i would like to express my strong interest in interviewing for a senior lecturer position at the hague university of applied sciences thuas

[job application for lecturer documentshub com](#) - Dec 29 2021

web dec 24 2014 sample of job application for lecturer it can also be used as a cover letter for lecturer for people and teachers who want to apply as lecturer in any college or university can use this format of job application or cover letter mention your experience and qualifications

[english lecturer cover letter example great sample resume](#) - Nov 08 2022

web here is the knowledgeable english lecturer cover letter example dear ms debra davis i am applying for the position of

english lecturer at college of dupage and my credentials match the requirements listed in your posting i have a master s degree in english literature and over five years of experience working as an english teacher for a [academic cover letter template senior lectureship jobs ac uk](#) - Oct 07 2022

web academic cover letter template senior lectureship this is an academic cover letter template that you can use together with the academic cv template include your address here and phone number and email address date application for the position of dear

professional english lecturer cover letter examples livecareer - Apr 01 2022

web crafting a cover letter that catches the attention of hiring managers is paramount to getting the job and livecareer is here to help you stand out from the competition view all cover letter examples

cover letters for academic positions university of illinois - Jun 03 2022

web the basics cover letter must accompany and be tailored to any application you submit stem letters should not exceed one page humanities and social sciences letters may extend up to two pages check with faculty in your department address to the individual named in the job posting or with dear members of the search committee

[5 best lecturer cover letter sample free reaching digital](#) - Jan 30 2022

web william want to write a lecturer cover letter if so it is important to understand the role and responsibilities of this profession a lecturer is responsible for teaching undergraduate and or graduate students in a specific subject area they must develop course curricula grade assignments and provide timely feedback to students