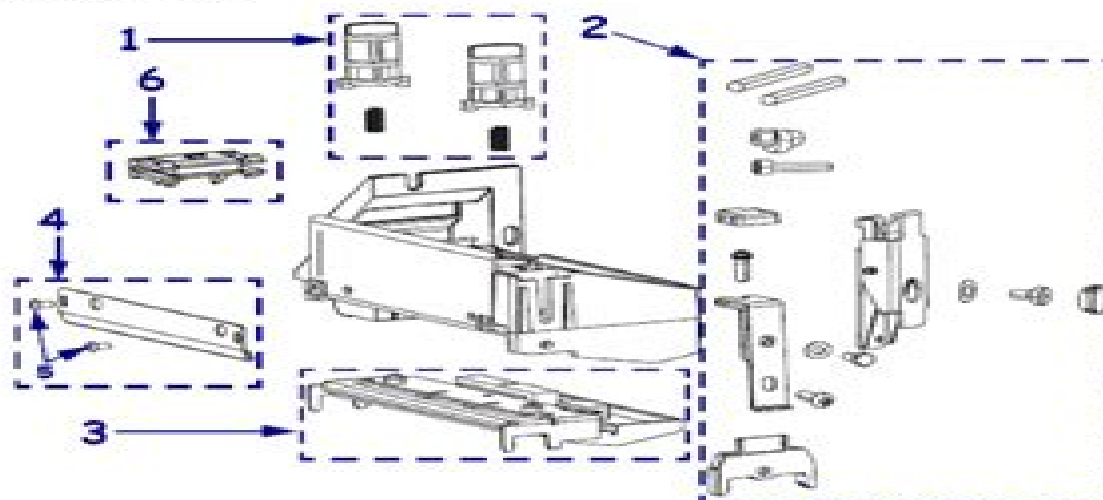




ZMx00 Series Parts Catalog

Print Mechanism Components



Item Number	Description	Part Number	Kit Quantity
1	Kit Pressure Dials and Springs Z4M+ & ZM400	G77172M	2
1	Kit Pressure Dials and Springs Z6M+ & ZM600	77172-6M	2
2	Kit Print Mechanism Latch ZMx00 Series	79819M	1
3	Kit Printhead 203 dpi ZM400	79800M	1
3	Kit Printhead 203 dpi ZM600	79803M	1
3	Kit Printhead 300 dpi ZM400	79801M	1
3	Kit Printhead 300 dpi ZM600	79804M	1
3	Kit Printhead 600 dpi ZM400	79802M	1
4	Kit Ribbon Strip Plate ZM400	79860M	1
4	Kit Ribbon Strip Plate ZM600	79861M	1
5	Screw M3 X 0.5 X 6 Bag of 25	HW78809	25
6	Kit Print Mechanism Magnet ZMx00 Series	79845M	1

Printhead dpi conversion kits

Item Number	Description	Part Number	Kit Quantity
	Kit Convert 600 dpi AND 300 dpi to 203dpi ZM400	79805	1
	Kit Convert 203 dpi AND 600 dpi to 300dpi ZM400	79806	1
	Kit Convert 203 dpi AND 300 dpi to 600dpi ZM400	79807	1
	Kit Convert 203 dpi to 300 dpi ZM600	79808	1
	Kit Convert 300 dpi to 203 dpi ZM600	79809	1

Zebra Zm400 Parts Manual

**Rudolf Wurlitzer Company, Wurlitzer
Company Staff**

Zebra Zm400 Parts Manual:

Boughton Instruction & Parts Manual for Model C. 125 , Parts Manual for All "K" Models, 1952 to 1956
Harley-Davidson Motor Company,1956* *Wurlitzer Model 3000 Series of 1966* A. M. C. Corporation,1983-01-01
Wurlitzer Model 1250 of 1950 A. M. C. Corporation,1983-01-01 **Wurlitzer Model 2400 Series of 1960** A. M. C.
Corporation,1983-01-01 **Polaris 650 Parts Manual, 1992** ,1992 **Wurlitzer Model 3500 Series "Zodiac" of 1971**
Rudolf Wurlitzer Company,Wurlitzer Company Staff,1983-12-01

Zebra Zm400 Parts Manual Book Review: Unveiling the Magic of Language

In an electronic digital era where connections and knowledge reign supreme, the enchanting power of language has become more apparent than ever. Its power to stir emotions, provoke thought, and instigate transformation is actually remarkable. This extraordinary book, aptly titled "**Zebra Zm400 Parts Manual**," written by a highly acclaimed author, immerses readers in a captivating exploration of the significance of language and its profound effect on our existence. Throughout this critique, we shall delve into the book's central themes, evaluate its unique writing style, and assess its overall influence on its readership.

<https://ftp.barnabastoday.com/results/scholarship/index.jsp/us%20military%20program%20management%20lessons%20learned%20and%20best%20practices.pdf>

Table of Contents Zebra Zm400 Parts Manual

1. Understanding the eBook Zebra Zm400 Parts Manual
 - The Rise of Digital Reading Zebra Zm400 Parts Manual
 - Advantages of eBooks Over Traditional Books
2. Identifying Zebra Zm400 Parts Manual
 - Exploring Different Genres
 - Considering Fiction vs. Non-Fiction
 - Determining Your Reading Goals
3. Choosing the Right eBook Platform
 - Popular eBook Platforms
 - Features to Look for in an Zebra Zm400 Parts Manual
 - User-Friendly Interface
4. Exploring eBook Recommendations from Zebra Zm400 Parts Manual
 - Personalized Recommendations
 - Zebra Zm400 Parts Manual User Reviews and Ratings
 - Zebra Zm400 Parts Manual and Bestseller Lists

5. Accessing Zebra Zm400 Parts Manual Free and Paid eBooks
 - Zebra Zm400 Parts Manual Public Domain eBooks
 - Zebra Zm400 Parts Manual eBook Subscription Services
 - Zebra Zm400 Parts Manual Budget-Friendly Options
6. Navigating Zebra Zm400 Parts Manual eBook Formats
 - ePub, PDF, MOBI, and More
 - Zebra Zm400 Parts Manual Compatibility with Devices
 - Zebra Zm400 Parts Manual Enhanced eBook Features
7. Enhancing Your Reading Experience
 - Adjustable Fonts and Text Sizes of Zebra Zm400 Parts Manual
 - Highlighting and Note-Taking Zebra Zm400 Parts Manual
 - Interactive Elements Zebra Zm400 Parts Manual
8. Staying Engaged with Zebra Zm400 Parts Manual
 - Joining Online Reading Communities
 - Participating in Virtual Book Clubs
 - Following Authors and Publishers Zebra Zm400 Parts Manual
9. Balancing eBooks and Physical Books Zebra Zm400 Parts Manual
 - Benefits of a Digital Library
 - Creating a Diverse Reading Collection Zebra Zm400 Parts Manual
10. Overcoming Reading Challenges
 - Dealing with Digital Eye Strain
 - Minimizing Distractions
 - Managing Screen Time
11. Cultivating a Reading Routine Zebra Zm400 Parts Manual
 - Setting Reading Goals Zebra Zm400 Parts Manual
 - Carving Out Dedicated Reading Time
12. Sourcing Reliable Information of Zebra Zm400 Parts Manual
 - Fact-Checking eBook Content of Zebra Zm400 Parts Manual
 - Distinguishing Credible Sources
13. Promoting Lifelong Learning

- Utilizing eBooks for Skill Development
 - Exploring Educational eBooks
14. Embracing eBook Trends
- Integration of Multimedia Elements
 - Interactive and Gamified eBooks

Zebra Zm400 Parts Manual Introduction

In this digital age, the convenience of accessing information at our fingertips has become a necessity. Whether its research papers, eBooks, or user manuals, PDF files have become the preferred format for sharing and reading documents. However, the cost associated with purchasing PDF files can sometimes be a barrier for many individuals and organizations. Thankfully, there are numerous websites and platforms that allow users to download free PDF files legally. In this article, we will explore some of the best platforms to download free PDFs. One of the most popular platforms to download free PDF files is Project Gutenberg. This online library offers over 60,000 free eBooks that are in the public domain. From classic literature to historical documents, Project Gutenberg provides a wide range of PDF files that can be downloaded and enjoyed on various devices. The website is user-friendly and allows users to search for specific titles or browse through different categories. Another reliable platform for downloading Zebra Zm400 Parts Manual free PDF files is Open Library. With its vast collection of over 1 million eBooks, Open Library has something for every reader. The website offers a seamless experience by providing options to borrow or download PDF files. Users simply need to create a free account to access this treasure trove of knowledge. Open Library also allows users to contribute by uploading and sharing their own PDF files, making it a collaborative platform for book enthusiasts. For those interested in academic resources, there are websites dedicated to providing free PDFs of research papers and scientific articles. One such website is Academia.edu, which allows researchers and scholars to share their work with a global audience. Users can download PDF files of research papers, theses, and dissertations covering a wide range of subjects. Academia.edu also provides a platform for discussions and networking within the academic community. When it comes to downloading Zebra Zm400 Parts Manual free PDF files of magazines, brochures, and catalogs, Issuu is a popular choice. This digital publishing platform hosts a vast collection of publications from around the world. Users can search for specific titles or explore various categories and genres. Issuu offers a seamless reading experience with its user-friendly interface and allows users to download PDF files for offline reading. Apart from dedicated platforms, search engines also play a crucial role in finding free PDF files. Google, for instance, has an advanced search feature that allows users to filter results by file type. By specifying the file type as "PDF," users can find websites that offer free PDF downloads on a specific topic. While downloading Zebra Zm400 Parts Manual free PDF files is convenient, its

important to note that copyright laws must be respected. Always ensure that the PDF files you download are legally available for free. Many authors and publishers voluntarily provide free PDF versions of their work, but it's essential to be cautious and verify the authenticity of the source before downloading Zebra Zm400 Parts Manual. In conclusion, the internet offers numerous platforms and websites that allow users to download free PDF files legally. Whether it's classic literature, research papers, or magazines, there is something for everyone. The platforms mentioned in this article, such as Project Gutenberg, Open Library, Academia.edu, and Issuu, provide access to a vast collection of PDF files. However, users should always be cautious and verify the legality of the source before downloading Zebra Zm400 Parts Manual any PDF files. With these platforms, the world of PDF downloads is just a click away.

FAQs About Zebra Zm400 Parts Manual Books

What is a Zebra Zm400 Parts Manual PDF? A PDF (Portable Document Format) is a file format developed by Adobe that preserves the layout and formatting of a document, regardless of the software, hardware, or operating system used to view or print it. **How do I create a Zebra Zm400 Parts Manual PDF?** There are several ways to create a PDF: Use software like Adobe Acrobat, Microsoft Word, or Google Docs, which often have built-in PDF creation tools. Print to PDF: Many applications and operating systems have a "Print to PDF" option that allows you to save a document as a PDF file instead of printing it on paper. Online converters: There are various online tools that can convert different file types to PDF. **How do I edit a Zebra Zm400 Parts Manual PDF?** Editing a PDF can be done with software like Adobe Acrobat, which allows direct editing of text, images, and other elements within the PDF. Some free tools, like PDFescape or Smallpdf, also offer basic editing capabilities. **How do I convert a Zebra Zm400 Parts Manual PDF to another file format?** There are multiple ways to convert a PDF to another format: Use online converters like Smallpdf, Zamzar, or Adobe Acrobat's export feature to convert PDFs to formats like Word, Excel, JPEG, etc. Software like Adobe Acrobat, Microsoft Word, or other PDF editors may have options to export or save PDFs in different formats. **How do I password-protect a Zebra Zm400 Parts Manual PDF?** Most PDF editing software allows you to add password protection. In Adobe Acrobat, for instance, you can go to "File" -> "Properties" -> "Security" to set a password to restrict access or editing capabilities. Are there any free alternatives to Adobe Acrobat for working with PDFs? Yes, there are many free alternatives for working with PDFs, such as: LibreOffice: Offers PDF editing features. PDFsam: Allows splitting, merging, and editing PDFs. Foxit Reader: Provides basic PDF viewing and editing capabilities. How do I compress a PDF file? You can use online tools like Smallpdf, ILovePDF, or desktop software like Adobe Acrobat to compress PDF files without significant quality loss. Compression reduces the file size, making it easier to share and download. Can I fill out forms in a PDF file? Yes, most PDF viewers/editors like Adobe Acrobat, Preview (on

Mac), or various online tools allow you to fill out forms in PDF files by selecting text fields and entering information. Are there any restrictions when working with PDFs? Some PDFs might have restrictions set by their creator, such as password protection, editing restrictions, or print restrictions. Breaking these restrictions might require specific software or tools, which may or may not be legal depending on the circumstances and local laws.

Find Zebra Zm400 Parts Manual :

[us military program management lessons learned and best practices](#)

usability testing essentials ready settest by barnum carol m 2010 paperback

[ur goiena barrena olatz zugasti](#)

[unlimited power anthony robbins bahasa indonesia](#)

[up slavery booker t washington ebook](#)

unmeltable ethnics unmeltable ethnics

up in flames the art of flame painting

[untersuchung auswirkungen basel finanzierung deutschland](#)

us government 1st semester exam study guide

university physics volume 1 student solutions manual

us geography through infographics super social studies infographics

[us navy mm rating manuals](#)

[unseen war in iraq insurgents in the shadows](#)

unter cariocas ultimative gebrauchsanleitung janeiro

~~unwritten verse staub vergangenheit~~

Zebra Zm400 Parts Manual :

[pakistan engineering council pec - Jan 28 2022](#)

web pakistan engineering council pec is a statutory regulatory body established in 1976 under an act of parliament to regulate the engineering profession across the country and performing its functions as an autonomous body with the vision that the engineering profession shall function as a key driving force for achieving rapid and sustainable

online courses cpd - Jun 01 2022

web engineer s cpd profile online courses to provide opportunity to the engineers to attend from anywhere in the world using

their video link computer laptop fitted video camera on the emerging topics where during lecture quiz practicing exercises or later assignment submission would be the ultimate mode of assessment

[curriculum for textile engineering pec org pk](#) - Dec 07 2022

web the pec engineering curriculum review and development committee ecrdc of chemical polymer textile and allied engineering disciplines took up the task to review and update the curriculum for textile engineering degree program

[bachelor of engineering program 2020 pec org pk](#) - Jun 13 2023

web curriculum of automotive engineering 8 21 mr hidayatullah kasi deputy director higher education commission islamabad rep hec 22 engr dr ashfaq ahmed sheikh additional registrar cpd paksitan engineering council islamabad secretary 23 engr muhammad kashif ali assistant registrar cpd paksitan engineering council islamabad ar cpd

[all curriculums pakistan engineering council pec](#) - Aug 15 2023

web all curriculums aerospace engineering agricultural engineering automotive engineering avionics engineering building architectural engineering computer engineering geoinformatics engineering geological engineering

curriculum for aerospace engineering pec org pk - Mar 10 2023

web aerospace engineering pakistan engineering council higher education commission islamabad curriculum of aerospace engineering bachelor of engineering program 2020 pakistan engineering council higher education commission islamabad curriculum of aerospace engineering ii contents preface

[curriculum for building architectural engineering](#) - Jul 14 2023

web the key driving lines for the development of engineering curriculum for each discipline will be the overall policy of pakistan engineering council in connection with international commitments washington accord ipea etc and government policies review of polices and stakeholders feedback relating sector relevant to the

[curricula of epe pakistan engineering council pec](#) - Dec 27 2021

web epe syllabus of electrical and allied disciplines sample mcqs of avionics engineering sample mcqs of biomedical engineering sample mcqs of computer engineering sample mcqs of electric power sample mcqs of electronic engineering sample mcqs of engineering sciences sample mcqs of industrial electronics

undergraduate program mechatronics control engineering - Mar 30 2022

web the curriculum for the bachelors degree includes courses in mathematics natural sciences and humanities which are followed by the courses in engineering foundation such as engineering graphics and drawing electric circuits engineering statics dynamics mechanics of materials fundamentals of thermal sciences electronic

pakistan engineering council regulating the engineering - Feb 26 2022

web notification on firms license extension it is to inform that all constructors operators and consulting engineering firms

companies pakistani and foreign registered with pec having valid license upto june 30 2023 and extended up to august 31 2023 has been further extended up to september 30 2023 no further extension shall be granted

[cpd](#) - Jul 02 2022

web pakistan engineering council pec under pec act and cpd byelaws is earnestly working for the professional growth and skill enhancement of ever growing engineering community under cpd framework the engineers both pes and res are required to learn innovative and soft skills to be more effective in playing productive role towards nation

curriculum for computer engineering electrical engineering - Feb 09 2023

web computer engineering electrical engineering computer bachelor of engineering program 2020 pakistan engineering council higher education commission islamabad curriculum of computer engineering electrical engineering computer ii contents preface

bachelor of engineering program 2020 pec org pk - Apr 11 2023

web curriculum for agricultural engineering bachelor of engineering program 2020 pakistan engineering council higher education commission islamabad curriculum of agricultural engineering bachelor of engineering program 2020 pakistan engineering council higher education commission islamabad curriculum of

curriculum pec org pk - May 12 2023

web pakistan engineering council islamabad secretary 28 engr muhammad kashif ali assistant registrar cpd pakistan engineering council islamabad ar cpd 5 1 sub group software engineering 1 engr dr hammad afzal professor department of computer and software engineering military college of signals rawalpindi lead sub group 2

cpd - Aug 03 2022

web pakistan engineering council pec under pec act and cpd byelaws 2008 is earnestly working for the professional growth and skill enhancement of ever growing engineering community under cpd framework the engineers both pes and res are required to learn innovative and soft skills to be more effective in playing productive role towards nation

[downloads pakistan engineering council pec](#) - Sep 04 2022

web pec announces 22nd engineering practice examination epe for registered engineers re to elevate their title to professional engineer pe graduate engineers internship program downloads

bachelor of engineering program 2020 pec org pk - Oct 05 2022

web 2020 curriculum of transportation engineering bachelor of engineering program 2020 pakistan engineering council higher education commission islamabad curriculum of transportation engineering ii contents preface iii 1

pakistan engineering council just another wordpress site - Apr 30 2022

web engineering community in the country engineering capstone expo exe 2022 learn more ppdc is dedicated to promote

growth of engineering industry for which first open house industrial project career fair along with media projection is planned in 2022 for all universities all over pakistan hattar industrial association hia

pakistan engineering council pec - Jan 08 2023

web b professional obligation of engineers c role of opportunity and conflicts d interpersonal relations suggested books book engineering ethics by charles b fleddermann 4th edition pearson prentice hall 2005 isbn 13 978 0132145213 book ethics in engineering by mike w martin and ronald

pakistan engineering council wikipedia - Nov 06 2022

web pakistan engineering council represents the engineering community in the country and assists the government of pakistan at the federal and provincial levels it also acts as a think tank to the government and undertakes efforts to establish scientific standards for engineering innovations and services

cessna cessna 210 manuals univair aircraft - Apr 16 2023

web cessna 210 t210 1977 84 service maintenance manual download rev 3 march 1996 798 indexed bookmarked pages

[cessna 210 centurion maintenance service manual set engine](#) - Jan 01 2022

cessna model 210 centurion 1969 service manual 1968 - Nov 30 2021

cessna 210b owner s manual pdf download manualslib - Oct 10 2022

web cessna 210 service manual showing 19 19 of 19 results grid view list view cessna model p210 series 1978 thru 1983 service manual d2058 2 13 cessna 210 series

cessna 210 centurion service maintenance manual 1970 76 - Apr 04 2022

web cessna service manual offers detailed servicing instructions for the cessna 210 centurion series 1970 1976 aircraft the service repair manual will give you complete step by step

cessna 210 series poh s owners manuals archives - Mar 03 2022

web cessna 210 centurion manuals on a cd faa a p mechanics handbooks over 1100 pages cessna 210 parts manuals 1960 thru 1969 cessna 210 service manual 1960

cessna flyer association cessna 210 - Dec 12 2022

web view and download cessna 210b owner s manual online 210b tools pdf manual download

cessna 210 service manual aircraftmaintenancemanuals com - Aug 08 2022

web we have 1 cessna centurion 210m 1977 manual available for free pdf download pilot operating handbook cessna centurion 210m 1977 pilot operating handbook 185

[cessna 210 series maintenance parts manuals](#) - Mar 15 2023

web cessna 210 centurion service repair maintenance manuals on a cd these manuals are in pdf format so you can view zoom and print any or all pages for a perfect copy of the

[cessna 210 centurion inspection guidelines](#) - Sep 09 2022

web date content 16 dec 2021 internet explorer ie browser is not recommended for use with 1view primarily due to its performance issues and currently will no longer support the

cessna service manual repair manual workshop manual pdf - Sep 21 2023

web apr 10 2022 cessna 210 centurion service maintenance manual 1970 76 ov000194 cessna 210 io550p engine service maintenance overhaul manual ov001303

cessna aircraft company model 210 series 1977 - Jun 18 2023

web model 210 series 1977 1984 service manual b section 2a 10 01 inspection time limits this section lists in chart format all inspection requirements which must be

cessna 210 series maintenance parts manuals archives - May 05 2022

web cessna model t210n centurion pilot s operating handbook airplane flight manual 1982 d1227 1 13 15 95

maintenance manuals aeroelectric com - Aug 20 2023

web maintenance manuals maintenance manuals component repair and overhaul manuals etc number subject page 1 d2004 5 13 centurion series 1970 thru 1976

[cessna 210 service repair manual 1970 76 cessna 210](#) - Feb 02 2022

web description cessna model 210 series for the service manual cover date 1986 has 420 pages long cover models popular name model model serials year beginning ending

cessna centurion 210m 1977 pilot operating handbook - Nov 11 2022

web description there are several reasons the cessna pilots association has developed these inspection guidelines for the cessna 210 centurion the last cessna 210 was built over

technical publications textron aviation - Jul 07 2022

web cessna 210 series maintenance parts manuals 13 cessna 210 series poh s owners manuals 5 cessna 210 service manual 19 cessna 300 series 48 cessna 350

[cessna flyer association maintenance technical](#) - Jul 19 2023

web each person performing maintenance alteration or preventive maintenance on an aircraft engine propeller or appliance shall use the methods techniques and practices

aeroelectric com - May 17 2023

web learn how to maintain your cessna p210 with this comprehensive manual covering the 1978 1983 models download the pdf and get detailed instructions diagrams and

aeroelectric com - Oct 22 2023

web this is the official maintenance manual for the cessna 210 and t210 series covering the years 1977 to 1984 it provides detailed instructions and illustrations for servicing

[cessna 210 t210 1977 84 service maintenance manual download](#) - Feb 14 2023

web i found that all the answers needed to understand and maintain the 210 landing gear systems are in the cessna service manuals however not all the information is in any

cessna centurion 210m 1977 manuals manualslib - Jun 06 2022

web this cessna 210 centurion service maintenance manual ov000194 is an essential guide for all vehicle owners and mechanics it provides detailed illustrations step by step

cessna 210 t210 service maintenance manual set n - Jan 13 2023

web view and download cessna centurion 210m 1977 pilot operating handbook online centurion 210m 1977 aircrafts pdf manual download

[msbte i scheme lab manual solution all semester pdf](#) - Nov 07 2022

web jan 1 2023 join on telegram group msbte msbte i scheme lab manual semester wise msbte lab manual pdf lab manual of msbte i scheme is available for all

[basic physics mcq questions and answers msbte news cbse](#) - Apr 12 2023

web nov 18 2021 6726 as we all know msbte winter 2021 exam are near and 1st year candidates are searching for 22102 basic physics mcq questions press answers were have done adenine lot of research and crafted a few possible selected of basic physics 22102 mcq question bank top 1000 physics mcqs 1

[basic physics mcq for polytechnic 1st year msbte news](#) - May 01 2022

web nov 17 2021 basic physics mcq for polytechnic 1st year by msbtenews 17 11 2021 42 23361 as we all know msbte winter 2021 exams are near and 1st year candidates are searching for basic physics mcq for polytechnic we have done a lot of research and made a few possible set of basic physics 22102 mcq question bank

basic physics microproject 22102 diploma first semester msbte - Jul 03 2022

web oct 29 2022 1 0 aims benefits of the micro project diploma engineers also called technologists have to deal with various materials and machines this course is designed with some fundamental information to help technologists apply the basic concepts and principles of physics and chemistry to solve broad based engineering problems

basic science physics notes msbte i scheme books unit and - Sep 17 2023

web nov 3 2021 hello friends in today post you all will get notes related to msbte basic science physics notes so in today s post you all will get unit no 1 notes of basic science physics unit and measurements notes you will find unit no 2 unit no 3 unit no 4 and unit no 5 notes link below this post

msbte first year physics mx skylightframe com - Oct 06 2022

web 2 msbte first year physics 2020 03 14 a textbook of engineering mechanics is a must buy for all students of engineering as it is a lucidly written textbook on the subject with crisp conceptual explanations aided with simple to understand examples important concepts such as moments and their applications inertia motion

mechanical engineering 1st semester syllabus msbte all clear - Jun 02 2022

web jul 17 2023 in today s article you will get msbte 1st year 1st semester all subjects name with all msbte subject syllabus pdf as you have been admitted to msbte diploma course you must know msbte curriculum msbte 1st semester names to get well settled with subject conditions

msbte i scheme syllabus for all semester branches 2023 - Aug 16 2023

web apr 30 2023 computer engineering msbte i scheme syllabus for diploma in computer engineering you can download it from the list given below for all semesters msbte syllabus i scheme 1st sem computer msbte syllabus i scheme 2nd sem computer msbte syllabus i scheme 3rd sem computer msbte 4th sem syllabus i scheme

22102 physics mcq for diploma first year msbte news - Feb 27 2022

web msbtenews 17 11 2021 0 3213 as we all know msbte winter 2021 exams are near and 1st year candidates are searching for 22102 physics mcq for diploma first year we have done a lot of research and made a few possible set

22102 basic physics mcq for diploma first year pdf msbte news - Mar 31 2022

web feb 20 2021 we have done a lot of research and made a possible 22102 basic physics mcq for diploma first year pdf by this mcq questions you can practice for your upcoming exams we have provided 35 regular basic science mcq questions you will get the final score after you submit your mcq question bank

basic science physics i scheme msbte first year sem 1 nirali - Dec 08 2022

web basic science physics i scheme msbte first year sem 1 nirali publication dr m s pawar dr m a sutar buy basic science physics i scheme msbte first year sem 1 nirali publication online by nirali prakashan from schoolchamp

msbte k scheme curriculum search - Jan 09 2023

web maharashtra state board of technical education mumbaik scheme curriculum search

basic science physics k scheme msbte first year sem 1 - Sep 05 2022

web basic science physics book base on as per msbte revised syllabus k scheme first year diploma course published by technical prakashan these books are written as per the syllabus of pune mumbai shivaji goa north maharashtra marathwada

universities for rest of india too by eminent and experienced authors in their subjects

basic science physics solved mcqs msbte first year exam mcqs - May 13 2023

web dec 22 2021 basic science physics solved mcqs msbte first year exam mcqs by mypractically december 22 2021 1

22102 basic science physics question bank for multiple choice questions program diploma in engineering all branches

program code ce co ee ej me scheme i semester 1 course basic physics course code

[msbte diploma books notes msbte solution msbte](#) - Feb 10 2023

web may 11 2021 msbte diploma books notes free msbte i scheme diploma all branch books notes msbte diploma books

notes free msbte i scheme diploma all branch books notes home second year ime 22420 fourth semester manuals answers

please sir reply delete replies reply unknown october 23 2021

polytechnic diploma physics notes pdf download 1st 2nd - Mar 11 2023

web jan 14 2022 in 3 year diploma in engineering students of each branch have to study basic physics in their first year of polytechnic college every state has their own technical board for polytechnic like jut for jharkhand sbte for bihar and msbte for maharashtra

msbte micro project topics first year for all branch available - Jun 14 2023

web sep 8 2023 22103 basic mathematics micro project topics 1 prepare a models using matrices to solve simple mixture problems 2 prepare a charts displaying regular closed figures 3 prepare a charts using determinants to find area of regular shapes 4 prepare a charts displaying regular solids

basic physics mcq questions and answers msbte news - Jan 29 2022

web nov 18 2021 as we all know msbte winter 2021 exams are near and 1st year candidates are searching for 22102 basic physics mcq questions and answers we have done a lot of research and made a few possible set of basic physics 22102 mcq question bank

applied science physics 22202 diploma micro project msbte - Aug 04 2022

web apr 16 2022 1 0 aims benefits of the micro project diploma engineers have to deal with various materials and machines the study of concepts and principles of science like elasticity viscosity surface tension motion thermocouples photo sensors lasers x rays metals alloys cement lime refractory materials water treatment and analysis

msbte k scheme diploma all branch books notes available in - Jul 15 2023

web aug 26 2023 the maharashtra state board of technical education msbte oversees the curriculum and examinations for diploma courses in maharashtra india within the k scheme for polytechnic diplomas basic mathematics plays a pivotal role in equipping students with essential mathematical skills for technical fields 1 algebraic operations