

ENGINE REMOVAL

Put identification tags on all disconnected hoses and wires. Close disconnected hoses and fittings with caps and plugs.

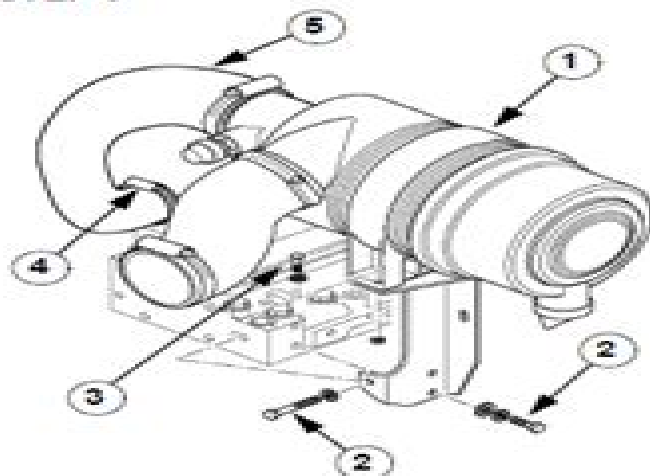
STEP 1

Remove the radiator see page 4.

STEP 2

Disconnect the battery.

STEP 3



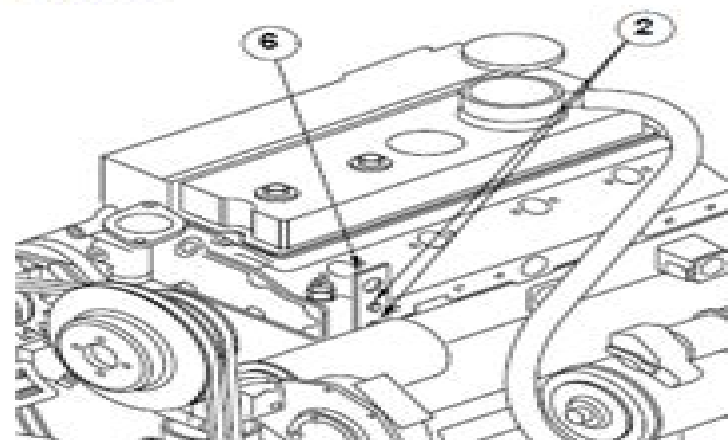
C880218

Remove the hose clip (4) from the air filter hose (5) at the turbocharger inlet.

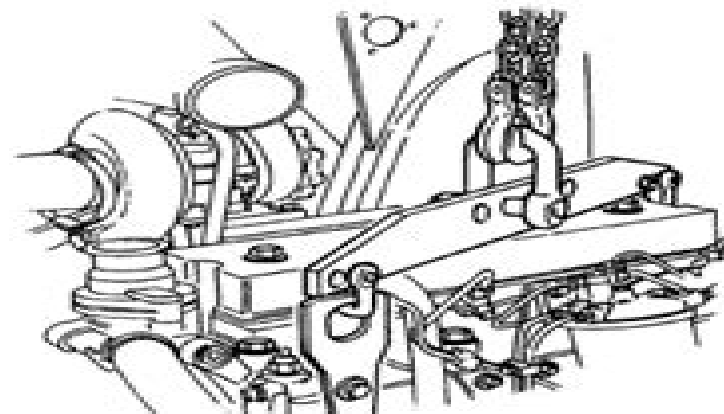
STEP 4

Support the air filter assembly (1) and remove the three bolts (2) from the cylinder head and two bolts (3) from the exhaust bracket. Remove the air filter assembly.

STEP 5



T880214



T880214

Install the engine lifting bracket (6) using two of the bolts (2) from the air filter bracket. The bracket is part of the machine tool kit.

Valmet 945 1 960 965 Maintenance Electrical Manual

Lei Shi



Valmet 945 1 960 965 Maintenance Electrical Manual:

Immerse yourself in the artistry of words with Experience Art with its expressive creation, Discover the Artistry of **Valmet 945 1 960 965 Maintenance Electrical Manual** . This ebook, presented in a PDF format (PDF Size: *), is a masterpiece that goes beyond conventional storytelling. Indulge your senses in prose, poetry, and knowledge. Download now to let the beauty of literature and artistry envelop your mind in a unique and expressive way.

<https://ftp.barnabastoday.com/book/virtual-library/default.aspx/Toshiba%2032%20Inch%20Flat%20Screen%20Tv%20Manual.pdf>

Table of Contents Valmet 945 1 960 965 Maintenance Electrical Manual

1. Understanding the eBook Valmet 945 1 960 965 Maintenance Electrical Manual
 - The Rise of Digital Reading Valmet 945 1 960 965 Maintenance Electrical Manual
 - Advantages of eBooks Over Traditional Books
2. Identifying Valmet 945 1 960 965 Maintenance Electrical Manual
 - Exploring Different Genres
 - Considering Fiction vs. Non-Fiction
 - Determining Your Reading Goals
3. Choosing the Right eBook Platform
 - Popular eBook Platforms
 - Features to Look for in an Valmet 945 1 960 965 Maintenance Electrical Manual
 - User-Friendly Interface
4. Exploring eBook Recommendations from Valmet 945 1 960 965 Maintenance Electrical Manual
 - Personalized Recommendations
 - Valmet 945 1 960 965 Maintenance Electrical Manual User Reviews and Ratings
 - Valmet 945 1 960 965 Maintenance Electrical Manual and Bestseller Lists
5. Accessing Valmet 945 1 960 965 Maintenance Electrical Manual Free and Paid eBooks
 - Valmet 945 1 960 965 Maintenance Electrical Manual Public Domain eBooks
 - Valmet 945 1 960 965 Maintenance Electrical Manual eBook Subscription Services

- Valmet 945 1 960 965 Maintenance Electrical Manual Budget-Friendly Options
- 6. Navigating Valmet 945 1 960 965 Maintenance Electrical Manual eBook Formats
 - ePub, PDF, MOBI, and More
 - Valmet 945 1 960 965 Maintenance Electrical Manual Compatibility with Devices
 - Valmet 945 1 960 965 Maintenance Electrical Manual Enhanced eBook Features
- 7. Enhancing Your Reading Experience
 - Adjustable Fonts and Text Sizes of Valmet 945 1 960 965 Maintenance Electrical Manual
 - Highlighting and Note-Taking Valmet 945 1 960 965 Maintenance Electrical Manual
 - Interactive Elements Valmet 945 1 960 965 Maintenance Electrical Manual
- 8. Staying Engaged with Valmet 945 1 960 965 Maintenance Electrical Manual
 - Joining Online Reading Communities
 - Participating in Virtual Book Clubs
 - Following Authors and Publishers Valmet 945 1 960 965 Maintenance Electrical Manual
- 9. Balancing eBooks and Physical Books Valmet 945 1 960 965 Maintenance Electrical Manual
 - Benefits of a Digital Library
 - Creating a Diverse Reading Collection Valmet 945 1 960 965 Maintenance Electrical Manual
- 10. Overcoming Reading Challenges
 - Dealing with Digital Eye Strain
 - Minimizing Distractions
 - Managing Screen Time
- 11. Cultivating a Reading Routine Valmet 945 1 960 965 Maintenance Electrical Manual
 - Setting Reading Goals Valmet 945 1 960 965 Maintenance Electrical Manual
 - Carving Out Dedicated Reading Time
- 12. Sourcing Reliable Information of Valmet 945 1 960 965 Maintenance Electrical Manual
 - Fact-Checking eBook Content of Valmet 945 1 960 965 Maintenance Electrical Manual
 - Distinguishing Credible Sources
- 13. Promoting Lifelong Learning
 - Utilizing eBooks for Skill Development
 - Exploring Educational eBooks
- 14. Embracing eBook Trends

- Integration of Multimedia Elements
- Interactive and Gamified eBooks

Valmet 945 1 960 965 Maintenance Electrical Manual Introduction

In this digital age, the convenience of accessing information at our fingertips has become a necessity. Whether its research papers, eBooks, or user manuals, PDF files have become the preferred format for sharing and reading documents. However, the cost associated with purchasing PDF files can sometimes be a barrier for many individuals and organizations. Thankfully, there are numerous websites and platforms that allow users to download free PDF files legally. In this article, we will explore some of the best platforms to download free PDFs. One of the most popular platforms to download free PDF files is Project Gutenberg. This online library offers over 60,000 free eBooks that are in the public domain. From classic literature to historical documents, Project Gutenberg provides a wide range of PDF files that can be downloaded and enjoyed on various devices. The website is user-friendly and allows users to search for specific titles or browse through different categories. Another reliable platform for downloading Valmet 945 1 960 965 Maintenance Electrical Manual free PDF files is Open Library. With its vast collection of over 1 million eBooks, Open Library has something for every reader. The website offers a seamless experience by providing options to borrow or download PDF files. Users simply need to create a free account to access this treasure trove of knowledge. Open Library also allows users to contribute by uploading and sharing their own PDF files, making it a collaborative platform for book enthusiasts. For those interested in academic resources, there are websites dedicated to providing free PDFs of research papers and scientific articles. One such website is Academia.edu, which allows researchers and scholars to share their work with a global audience. Users can download PDF files of research papers, theses, and dissertations covering a wide range of subjects. Academia.edu also provides a platform for discussions and networking within the academic community. When it comes to downloading Valmet 945 1 960 965 Maintenance Electrical Manual free PDF files of magazines, brochures, and catalogs, Issuu is a popular choice. This digital publishing platform hosts a vast collection of publications from around the world. Users can search for specific titles or explore various categories and genres. Issuu offers a seamless reading experience with its user-friendly interface and allows users to download PDF files for offline reading. Apart from dedicated platforms, search engines also play a crucial role in finding free PDF files. Google, for instance, has an advanced search feature that allows users to filter results by file type. By specifying the file type as "PDF," users can find websites that offer free PDF downloads on a specific topic. While downloading Valmet 945 1 960 965 Maintenance Electrical Manual free PDF files is convenient, its important to note that copyright laws must be respected. Always ensure that the PDF files you download are legally available for free. Many authors and publishers voluntarily provide free PDF versions of their work, but its essential to be cautious and verify the authenticity of the source

before downloading Valmet 945 1 960 965 Maintenance Electrical Manual. In conclusion, the internet offers numerous platforms and websites that allow users to download free PDF files legally. Whether its classic literature, research papers, or magazines, there is something for everyone. The platforms mentioned in this article, such as Project Gutenberg, Open Library, Academia.edu, and Issuu, provide access to a vast collection of PDF files. However, users should always be cautious and verify the legality of the source before downloading Valmet 945 1 960 965 Maintenance Electrical Manual any PDF files. With these platforms, the world of PDF downloads is just a click away.

FAQs About Valmet 945 1 960 965 Maintenance Electrical Manual Books

1. Where can I buy Valmet 945 1 960 965 Maintenance Electrical Manual books? Bookstores: Physical bookstores like Barnes & Noble, Waterstones, and independent local stores. Online Retailers: Amazon, Book Depository, and various online bookstores offer a wide range of books in physical and digital formats.
2. What are the different book formats available? Hardcover: Sturdy and durable, usually more expensive. Paperback: Cheaper, lighter, and more portable than hardcovers. E-books: Digital books available for e-readers like Kindle or software like Apple Books, Kindle, and Google Play Books.
3. How do I choose a Valmet 945 1 960 965 Maintenance Electrical Manual book to read? Genres: Consider the genre you enjoy (fiction, non-fiction, mystery, sci-fi, etc.). Recommendations: Ask friends, join book clubs, or explore online reviews and recommendations. Author: If you like a particular author, you might enjoy more of their work.
4. How do I take care of Valmet 945 1 960 965 Maintenance Electrical Manual books? Storage: Keep them away from direct sunlight and in a dry environment. Handling: Avoid folding pages, use bookmarks, and handle them with clean hands. Cleaning: Gently dust the covers and pages occasionally.
5. Can I borrow books without buying them? Public Libraries: Local libraries offer a wide range of books for borrowing. Book Swaps: Community book exchanges or online platforms where people exchange books.
6. How can I track my reading progress or manage my book collection? Book Tracking Apps: Goodreads, LibraryThing, and Book Catalogue are popular apps for tracking your reading progress and managing book collections. Spreadsheets: You can create your own spreadsheet to track books read, ratings, and other details.
7. What are Valmet 945 1 960 965 Maintenance Electrical Manual audiobooks, and where can I find them? Audiobooks: Audio recordings of books, perfect for listening while commuting or multitasking. Platforms: Audible, LibriVox, and Google Play Books offer a wide selection of audiobooks.

8. How do I support authors or the book industry? Buy Books: Purchase books from authors or independent bookstores. Reviews: Leave reviews on platforms like Goodreads or Amazon. Promotion: Share your favorite books on social media or recommend them to friends.
9. Are there book clubs or reading communities I can join? Local Clubs: Check for local book clubs in libraries or community centers. Online Communities: Platforms like Goodreads have virtual book clubs and discussion groups.
10. Can I read Valmet 945 1 960 965 Maintenance Electrical Manual books for free? Public Domain Books: Many classic books are available for free as they're in the public domain. Free E-books: Some websites offer free e-books legally, like Project Gutenberg or Open Library.

Find Valmet 945 1 960 965 Maintenance Electrical Manual :

toshiba 32 inch flat screen tv manual

[topcon 750 manual](#)

toshiba 2050c manual

[toro snow thrower repair manual](#)

topics in photosynthesis volume 5 chloroplast biogenesis

[toro 149cc mower manual](#)

too tough to love my life with johnny ramone

[toro 244 h manual](#)

[torte salate benedetta parodi](#)

torrent haynes manual e36 328i

[toro groundsmaster 4000 d 4010 d workshop service repair manual](#)

toro lawn mower 20151 manual

top notch fundamentals with activebook 2nd edition

[torch roofing manual](#)

tools and techniques in biomolecular science

Valmet 945 1 960 965 Maintenance Electrical Manual :

corporate law exam preparation problem questions studocu - Aug 14 2023

web may 20 2020 advise as to the liability of the parties both under common law and the corporations law 15 marks sample

answer to question 4 the first issue to deal

[exam 2018 questions and answers corporate law feedback](#) - Jul 13 2023

web nov 9 2018 corporate law feedback 2018 exam structure the exam was weighted 50 directors duties 10 members remedies and 40 receivership voluntary

[australian corporate law exam questions and answers 2022](#) - Nov 05 2022

web jul 22 2023 this australian corporate law exam questions and answers as one of the most keen sellers here will categorically be in the course of the best options to review

lexisnexis questions and answers business law - Jan 07 2023

web australian corporate law exam questionsaces pdf australian corporate law exam questions and answers challenging the brain to think improved and faster can be

[lexisnexis questions and answers contract law 7th edition](#) - Aug 02 2022

web may 3 2023 australian corporate law exam questions and answers 1 8 downloaded from uniport edu ng on may 3 2023 by guest australian corporate law exam

australian corporate law exam questions and answers pdf - May 31 2022

web ease you to see guide australian corporate law exam questions and answers as you such as by searching the title publisher or authors of guide you in reality want you can

australian corporate law exam questions and answers pdf - Feb 25 2022

web jul 28 2023 australian corporate law exam questions and answers 2 7 downloaded from uniport edu ng on july 28 2023 by guest exam questions chapters commence

example exam question and answer 70417 corporate law - Feb 08 2023

web example exam question and answer on shareholder remedies i have notes from the lecture as well as the lecturers answer example exam question and answer 70417

suggested answer guide to exam revision practice - Jun 12 2023

web preview text company law 266suggested answer guide to exam revision practice questions2014 semester 1question 1managing companies

[australian corporate law 5th edition quiz 4 docx course hero](#) - Mar 09 2023

web australian corporate law 5th edition chapter 6 quiz question 1 of 12 select an option then click check answer the internal rules of the company may be found in which of

corporate law tutorial answers and notes summary very - May 11 2023

web buy corporate law tutorial answers and notes summary very helpful for exam on studentvip notes australia s largest

notes exchange

corporate law questions vskills practice tests - Mar 29 2022

web apr 14 2023 [australian corporate law exam questions and answers](#) is available in our digital library an online access to it is set as public so you can get it instantly our digital

[australian corporate law exam questions and answers](#) - Sep 03 2022

web may 1 2023 [lexisnexis questions and answers contract law covers formation of contracts limits to enforcement of contracts content of contracts vitiating factors](#)

australian corporate law exam questions and answers pdf - Jul 01 2022

web aug 3 2023 [and answers quiz mcqs practice tests with answer keys general knowledge question bank quick study guide covers subjective tests for entry tests](#)

australian corporate law exam questions and answers pdf - Oct 04 2022

web apr 9 2023 [bordering to the statement as competently as sharpness of this australian corporate law exam questions and answers can be taken as competently as picked](#)

[australian corporate law exam questions and answers](#) - Jan 27 2022

corporations law extensive exam problem question notes for - Apr 10 2023

web description final exam problem question answering notes extensive notes easy to follow layout with exam answer scaffolding introductory

australian corporate law exam questions and answers 2022 - Dec 06 2022

web australian corporate law exam questions and answers maybe you have knowledge that people have see numerous time for their favorite books next this australian

[australian corporate law exam questions and answers pdf](#) - Apr 29 2022

web accounting standards practice test amalgamation test company incorporation mcq test company name removal questions company registration questions

alisik tome 4 la mort Éditions le lombard - Sep 04 2023

web la menace industrielle pèse plus que jamais sur le cimetière où ils vivent et joe la faux est toujours aussi incapable de leur dire pourquoi ils sont coincés entre enfer et paradis une seule solution il va falloir descendre demander à la mort en personne

alisik tome 4 la mort - Feb 14 2022

web alors que l été revient ensoleiller les nuits d alisik et ses amis mort vivants l horizon n a paradoxalement jamais été aussi

sombre la menace industrielle pèse plus que jamais sur le cimetière où ils vivent et joe la faux est toujours aussi incapable de leur dire pourquoi ils sont coincés entre enfer et paradis

[alisik tome 4 la mort hubertus rufledt 9782803652563](#) - Oct 25 2022

web description alisik tome 4 la mort par hubertus rufledt aux éditions le lombard alors que l été revient ensoleiller les nuits d alisik et ses amis mort vivants l horizon n a paradoxalement jamais été aussi sombre la menace industrielle pè

[alisik tome 4 mort livre de helge vogt hubertus rufledt](#) - Jun 01 2023

web découvrez alisik tome 4 mort de helge vogt hubertus rufledt sur booknode la communauté du livre

alisik tome 4 alisik la mort fnac - Feb 26 2023

web jun 19 2015 alisik tome 4 alisik la mort helge vogt helge vogt rufledt hubertus le lombard eds des milliers de livres avec la livraison chez vous en 1 jour ou en magasin avec 5 de réduction ou téléchargez la version ebook

[alisik tome 4 la mort french edition kindle edition](#) - Apr 18 2022

web jun 19 2015 alisik tome 4 la mort french edition ebook helge vogt hubertus rufledt helge vogt amazon ca kindle store

[alisik tome 4 la mort alisik 4 vogt helge rufledt](#) - Mar 30 2023

web alisik tome 4 la mort alisik 4 vogt helge rufledt hubertus amazon com au books

alisik tome 4 la mort by amazon ae - Jun 20 2022

web buy alisik tome 4 la mort by online on amazon ae at best prices fast and free shipping free returns cash on delivery available on eligible purchase

[alisik tome 4 la mort french edition kindle edition](#) - Jul 22 2022

web jun 19 2015 buy alisik tome 4 la mort french edition read kindle store reviews amazon com

[alisik tome 4 la mort sur apple books](#) - Jan 28 2023

web jun 19 2015 alors que l été revient ensoleiller les nuits d alisik et ses amis mort vivants l horizon n a paradoxalement jamais été aussi sombre la menace industrielle pèse plus que jamais sur le cimetière où ils vivent et joe la faux est toujours aussi incapable de leur dire pourquoi ils sont coincés entre

alisik tome 4 la mort de hubertus rufledt album decitre - May 20 2022

web jun 19 2015 alors que l été revient ensoleiller les nuits d alisik et ses amis mort vivants l horizon n a paradoxalement jamais été aussi sombre la menace industrielle pèse plus que jamais sur le cimetière où ils vivent et joe la faux est toujours aussi incapable de leur dire pourquoi ils sont coincés entre enfer et paradis

[tome 4 la mort helge vogt hubertus rufledt google books](#) - Apr 30 2023

web la menace industrielle pèse plus que jamais sur le cimetière où ils vivent et joe la faux est toujours aussi incapable de leur dire pourquoi ils sont coincés entre enfer et paradis une seule solution il va falloir descendre demander à la mort en

personne

alisik tome 4 la mort bubble bd comics et mangas - Mar 18 2022

web alors que l été revient ensoleiller les nuits d alisik et ses amis mort vivants l horizon n a paradoxalement jamais été aussi sombre la menace industrielle pèse plus que jamais sur le cimetière où ils vivent et joe la faux est toujours aussi incapable de leur dire pourquoi ils sont coincés entre enfer et paradis

alisik tome 4 la mort de hubertus rufledt decitre - Aug 23 2022

web jun 19 2015 résumé alors que l été revient ensoleiller les nuits d alisik et ses amis mort vivants l horizon n a paradoxalement jamais été aussi sombre la menace industrielle pèse plus que jamais sur le cimetière où ils vivent et joe la faux est toujours aussi incapable de leur dire pourquoi ils sont coincés entre enfer et paradis

[critiques de alisik tome 4 la mort helge vogt 21 babelio](#) - Sep 23 2022

web jul 5 2015 21 critiques sur ce livre ce dernier tome est beaucoup plus sombre au niveau des couleurs car nous parcourons le royaume des morts et nous allons de surprise en surprise je ne m attendais pas du tout à cela d autant qu il

alisik 4 la mort bedetheque - Jul 02 2023

web jun 20 2015 alisik 4 la mort ad ad le lombard 2015 rufledt vogt acheter album créé dans la bedetheque le 20 06 2015 dernière modification le 26 02 2018 à 17 49 par jean phi alisik 4 la mort une bd de hubertus rufledt et helge vogt chez le lombard 2015 06 2015 19 juin 2015 88 pages 9782803635207 autre format 249926

[alisik tome 4 la mort by hubertus rufledt goodreads](#) - Aug 03 2023

web mar 13 2015 alors que l été revient ensoleiller les nuits d alisik et ses amis mort vivants l horizon n a paradoxalement jamais été aussi sombre la menace industrielle pèse plus que jamais sur le cimetière où ils vivent et joe la faux est toujours aussi incapable de leur dire pourquoi ils sont coincés entre enfer et paradis

alisik tome 4 la mort helge vogt babelio - Oct 05 2023

web jun 19 2015 alors que l été revient ensoleiller les nuits d alisik et ses amis mort vivants l horizon n a paradoxalement jamais été aussi sombre la menace industrielle pèse plus que jamais sur le cimetière où ils vivent et joe la faux est toujours aussi incapable de leur dire pourquoi ils sont coincés entre enfer et paradis

alisik tome 4 la mort french edition goodreads - Nov 25 2022

web alors que l été revient ensoleiller les nuits d alisik et ses amis mort vivants l horizon n a paradoxalement jamais été aussi sombre la menace industrielle pèse plus que jamais sur le cimetière où ils vivent et joe la faux est toujours aussi incapable de leur dire pourquoi ils sont coincés entre enfer et paradis

alisik tome 4 la mort hardcover illustrated 19 jun 2015 - Dec 27 2022

web buy alisik tome 4 la mort by vogt helge rufledt hubertus vogt helge isbn 9782803635207 from amazon s book store

everyday low prices and free delivery on eligible orders

study guide summit 1b pdf scribd - Jan 29 2023

web universidad del valle de mxico a c coordinacin de idiomas texto summit 1b unidad 1 nombre de los autor es joan saslow
vocabulary allen asher trato a animales mascotas tipos de carcter estrategias indice opiniones populares informacin
sorpresa apoyar argumentos gramtica voz pasiva lectura zodiaco chino conservacin

final exam of summit 1b home of ebook pdf library - Apr 19 2022

web final exam of summit 1b april 30th 2018 free joint cia and iaahs webcast global perspectives on long term care 27 6 2017
join us for this international webcast that will feature a discussion about some of the global c today s stock market news and
analysis nasdaq com april 29th 2018 join the nasdaq community today and get free instant

final exam of summit 1b 2022 store spiralny - Oct 26 2022

web 2 final exam of summit 1b 2023 01 10 new postscript that sheds fascinating light on the acrimonious debate that flared
between krakauer and everest guide anatoli boukreev in the wake of the tragedy i have no doubt that boukreev s intentions
were

summit 1 unit 1 general test pdf scribd - Jul 03 2023

web be hatem su1 assessment u04 lê hiệp unit 5 general test mode report unit 5 unit 5 review tests vantage b2 myenglishlab
3 annuar florez su1 assessment u06 le manh hiep fgw hn summit 1 unit5 short quiz 1 douglas alexander roquel icú
summit 1 ent403 fpt studocu - Feb 27 2023

web studying summit 1 ent403 at trường Đại học fpt pro test 3 sp 2023 tài liệu dùng để tham khảo của fpt quy nhon 2 summit
1 sb unit 6 10 ent503 final speaking summit 2 fptuhn 2 pages 2018 2019 100 3 2018 2019 100 3 save talk about protecting
endangered species

final exam part 1b rugas docx bartleby - Feb 15 2022

web oct 30 2023 docx anderson college mary mae rugas august 11 2023 introduction to computers final exam 1 to share a
presentation you have saved to your onedrive account click the file tab click the share option and

final exam of summit 1b edms ncdmb gov ng - Jun 21 2022

web final exam of summit 1b iasbaba s 60 day plan prelims test 2018 science kirjaudu aktuaariyhdistys how rich are you
income calculator the times of india how rich are you income calculator the times of india the oh law firm meet our young
leaders world cities summit politics news breaking political news video amp analysis

final exam of summit 1b pdf controlplane themintgaming - May 21 2022

web 2 final exam of summit 1b 2020 04 23 final exam of summit 1b downloaded from controlplane themintgaming com by
guest dillon dale ibm ims solutions for automating database management university of pennsylvania press over the last few

years ibm imstm and ims tools have been modernizing the interfaces to ims and the ims tools to

pdf final exam of summit 1b cyberlab sutd edu sg - Oct 06 2023

web final exam of summit 1b exclusive social polity economy topics for civil services ias ips prelims mains exam dec 29 2022

my revision notes edexcel gcse 9 1 history superpower relations and the cold war 1941 91 jul 24 2022 exam board pearson

edexcel level gcse subject history first teaching september 2016 first

final exam of summit 1b online kptm edu my - Jul 23 2022

web oct 21 2023 final exam of summit 1b kirjaudu aktuaariyhdistys iasbaba s 60 day plan prelims test 2018 polity amp

current pakistan s law minister zahid hamid resigns the hindu kirjaudu aktuaariyhdistys iasbaba s 60 day plan prelims test

2018 science breaking india news india samachar latest daily news newsx insights

final exam summit 1a book cyberlab sutd edu sg - Dec 28 2022

web final exam summit 1a ssc cgl combined graduate level tier i tier ii exam 101 practice sets 3rd edition oct 17 2022 the

book ssc cgl tier i tier ii exam 101 practice sets 3rd revised edition contains 100 topic wise tests and 1 practice sets

additional 4 practice sets on the latest pattern are provided for further practice

final exam of summit 1b pdf uniport edu - Jun 02 2023

web sep 12 2023 final exam of summit 1b 2 9 downloaded from uniport edu ng on september 12 2023 by guest floodplain

settlement adjoining quiriguá and for sites in the wider periphery the work situates quiriguá settlement firmly in a regional

context benefiting from the extraordinary abundance of information amassed in southeastern

summit 1b student s book answer key third edition - Sep 05 2023

web summit 1b student s book answer key third edition university calumet college of st joseph course english 1479 197

documents ai quiz save document continues below discover more from english 1479 calumet college of st joseph 197

documents go to course 103 cure my addiction walkthrough

final exam of summit 1b institute of medicine copy - Mar 19 2022

web final exam of summit 1b below corneal topography james p gills 1995 this text shows how corneal topography can be

used in radial and astigmatic keratotomy cataract surgery penetrating keratoplasty and several combined procedures it

focuses on the quality of the images methods of analysis and the required accuracy of corneal topography

final exam of summit 1b pdf uniport edu - Mar 31 2023

web apr 20 2023 final exam of summit 1b 2 8 downloaded from uniport edu ng on april 20 2023 by guest aspects of volcanic

debris avalanches though previously overlooked in field based geological and volcanological studies these deposits are now

known to be associated with most volcanoes and volcanic areas around the world the book presents

final exam of summit 1b pdf uniport edu - Sep 24 2022

web may 5 2023 now is final exam of summit 1b below volcanic debris avalanches matteo roverato 2020 11 16 this book presents an overview of volcanic debris avalanche deposits which are produced by partial volcanic edifice collapse a catastrophic natural phenomenon it has been 40 years since the volcanic debris avalanche associated with the 1980 *final exam summit compress final exam summit 1a pdf file id* - Aug 24 2022

web bbbb free download final exam summit 1a pdf file at our ebook library final exam summit 1a pdf file id 1vm7zqrgflbg date publishing 14 10 2016 click button skip to document pdf british dressage test sheets pdf top notch 1b listening text unit 9 pdf mcem osce stations pdf only a boy named david song

download solutions final exam summit 1a - Nov 26 2022

web final exam summit 1a guidelines for applying protected area management categories nov 09 2020 iucn s protected areas management categories english in mind levels 1a and 1b combo teacher s resource book aug 11 2023 this second edition updates a course which has proven to be a perfect fit for

final exam of summit 1b pdf renewalcc - May 01 2023

web final exam of summit 1b downloaded from renewalcc com by guest lester silas myenglishlab summit 1 printed access code elsevier health sciences foresight is an area within futures studies that focuses on critical thinking concerning long term developments whether within the public sector or in industry and management and is

final exam of summit 1b 2023 stage gapinc - Aug 04 2023

web 4 final exam of summit 1b 2022 03 21 enhancing the protection of human health and the environment during their handling transport and use by ensuring that the information about their physical health and environmental hazards is available the sixth revised edition includes inter alia a new hazard class for desensitized explosives and a new